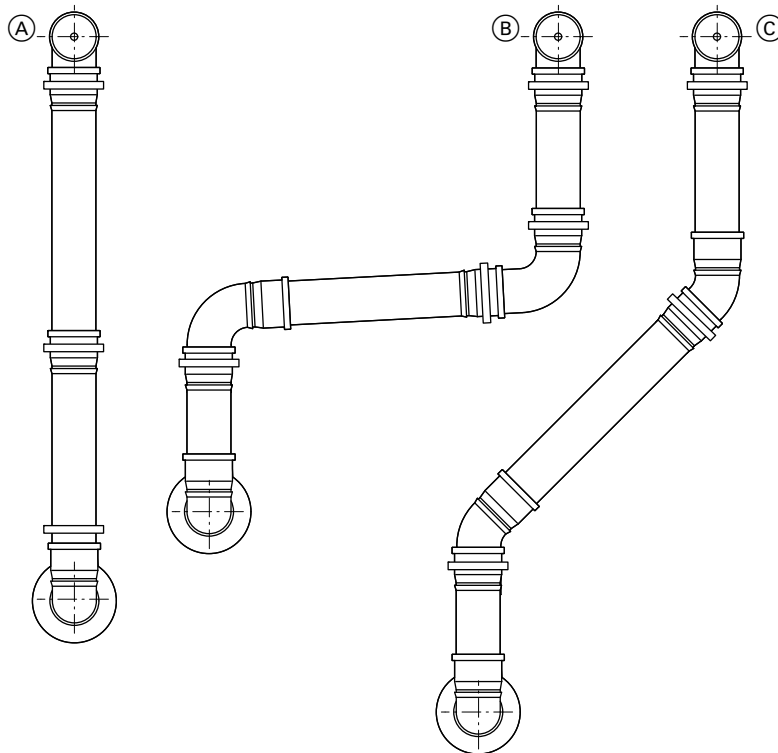


Plume kit

Routing options



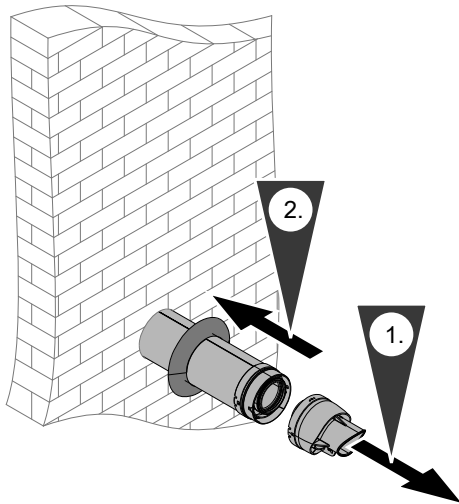
- (A) Plume kit standard delivery
- (B) Plume kit standard delivery plus:
 - 2 bends 87°
 - 1 pipe, 1 m long

Observe the max. length of the entire balanced flue.
For the standard plume kit, deduct 3 m from the max. possible pipe length.

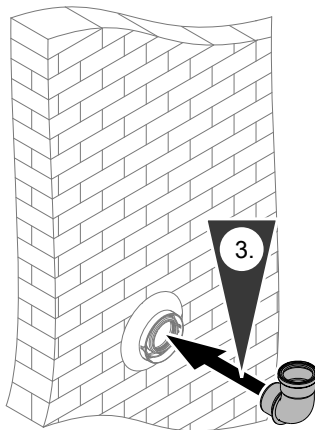
- (C) Plume kit standard delivery plus:
 - 2 bends 45°
 - 1 pipe, 1 m long

When using an additional 87° bend or two 45° bends, reduce the max. length by 1 m.

Plume kit (cont.)

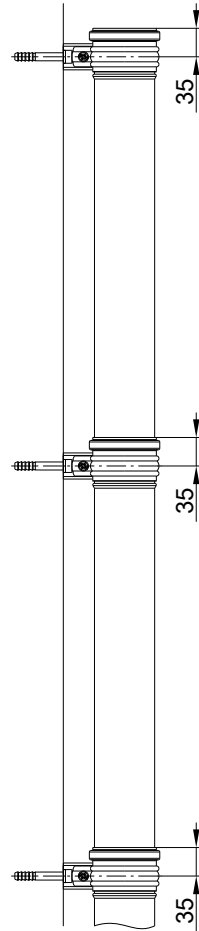
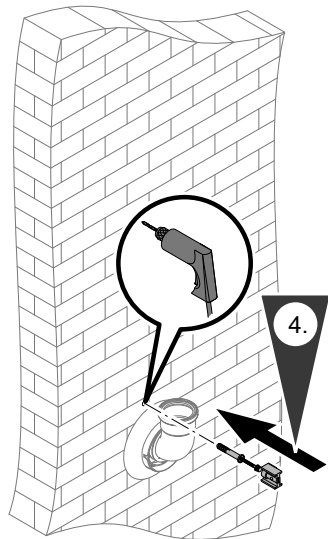


1. Disengage and remove the end piece of the external wall connection.
2. Insert external wall connection into the wall.



3. Push the flue bend into the external wall connection.

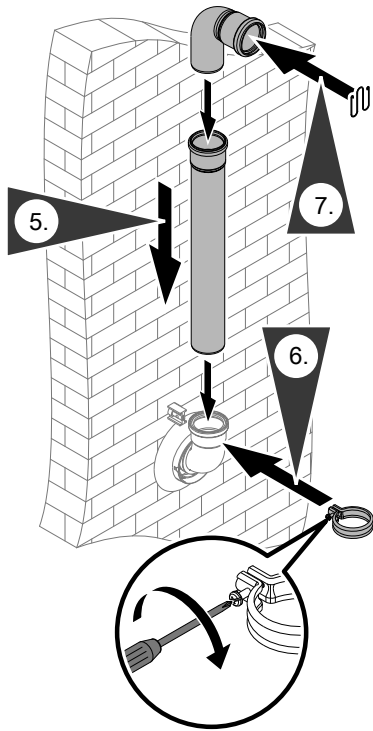
Plume kit (cont.)



4. Insert screws into the wall in accordance with the pipe length.



Plume kit (cont.)



5. Mount flue pipes and bends in line with the chosen method of routing.
6. Position the supplied fixing clamps and secure with the screws.
7. Insert the rodent protection into the uppermost bend.

Note

The rodent protection should be inserted into the end piece of the plume kit.