

Installation instructions

for contractors

VISSMANN

Replacing the control unit

for the Vitodens 050-W

Safety instructions



Please follow these safety instructions closely to prevent accidents and material losses.

Safety instructions explained



Please note

This symbol warns against the risk of material losses and environmental pollution.

When using gas as fuel, also close the main gas shut-off valve and safeguard against unauthorised reopening.

Note

Details identified by the word "Note" contain additional information.

Installation, initial start-up, inspection, maintenance and repairs must only be carried out by a competent person (heating engineer/installation contractor).

Repairing components which fulfil a safety function can compromise the safe operation of your heating system. For replacements, use only original spare parts supplied or approved by Viessmann.

Before working on the equipment/heating system, isolate the power supply (e.g. by removing a separate mains fuse or by means of a mains isolator) and safeguard against unauthorised reconnection.

Opening the Vitodens



Installation and service instructions

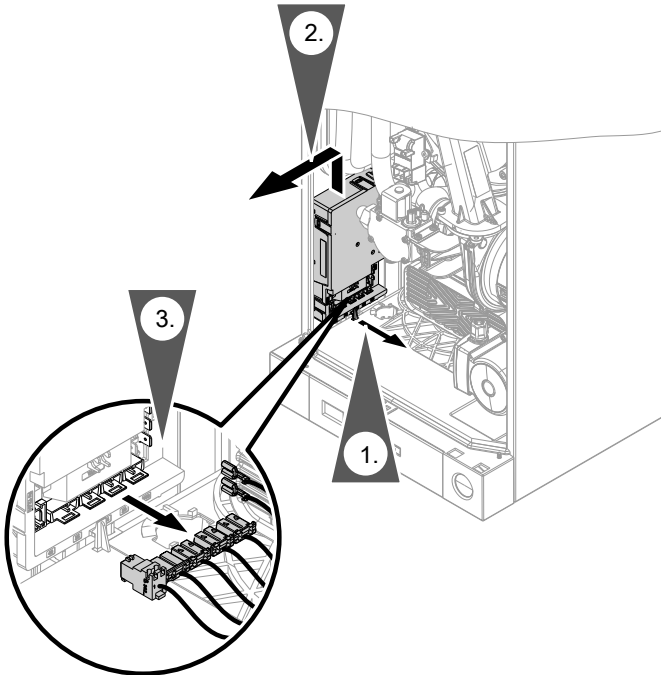
Removing the control unit



Please note

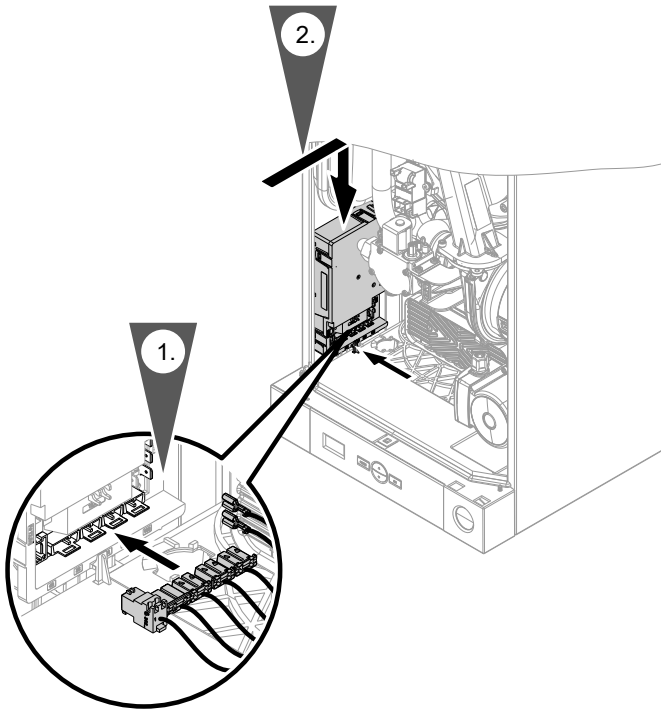
Electronic assemblies can be damaged by electrostatic discharge.

Prior to commencing any work, touch earthed objects such as heating or water pipes to discharge static loads.



1. Pull the locking hook.
2. Push the control unit upwards and pull it out far enough to allow access to the plugs.
3. Disconnect all plugs from the control unit.

Installing the new control unit



1. Connect all plugs to the control unit.
2. Insert the control unit and push it downwards until the locking hook clicks into position.

Matching the control unit to the boiler

Adjust the new control unit to the boiler. For this, select the relevant parameter set.

1. Switch ON the ON/OFF switch.
2. Hold down **MODE** and **▲** simultaneously for approx. 3 s. **"SERV"** appears on the display and **"I"** flashes.
3. Use **▲/▼** to select **"7"** and confirm with **OK**.
4. Determine the correct parameter set for the boiler in line with the following table and the serial no. (see type plate).
5. Use **▲/▼** to select the relevant parameter set.

Matching the control unit to the boiler (cont.)

6. Confirm with **OK**.
7. Press **MODE**.
The default display appears on the display screen.
8. Turn the ON/OFF switch OFF and ON again.
The parameter set is enabled.

Vitodens 050-W, type BPJC

Serial no. (type plate)	Parameter set No.
7537734	1
7537735	2
7537906	1
7537947	2
7538910	1
7538911	2
7542854	1
7542855	2
7723165	1

Vitodens 050-W, type BPJD

Serial no. (type plate)	Parameter set No.
7202938	1
7202939	2
7202940	1
7202941	2
7202942	1
7202943	2
7745660	1
7745662	2

Changing the gas type at the control unit

Only if the boiler is operated with LPG. In the delivered condition, the control unit is set to operate with natural gas.

1. Switch ON the ON/OFF switch.
2. Hold down **MODE** and **▲** simultaneously for approx. 3 s.
"SERV" appears on the display and "I" flashes.
3. Use **▲/▼** to select "5" and confirm with **OK**.
"0" flashes on the display (operation with natural gas).
4. For operation with LPG: Use **▲/▼** to select "I" and confirm with **OK**.
The burner has been converted to operation with LPG.
5. Press **MODE**.
The default display appears on the display screen.

Changing the gas type at the control unit (cont.)

6. Turn the ON/OFF switch OFF and ON again.
The burner has been converted to operation with LPG.

Note

If the parameter set and gas type are changed in one step, a single mains reset is sufficient.

Matching the burner output to the flue system

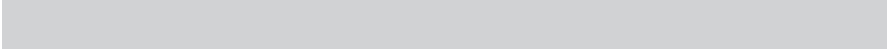


Installation and service instructions

Closing the control unit and starting the boiler

1. Fit the front panel.
2. Start the boiler and check it is working correctly.







Viessmann Werke GmbH & Co. KG
D-35107 Allendorf
Telephone: +49 6452 70-0
Fax: +49 6452 70-2780
www.viessmann.com



Viessmann Limited
Hortonwood 30, Telford
Shropshire, TF1 7YP, GB
Telephone: +44 1952 675000
Fax: +44 1952 675040
E-mail: info-uk@viessmann.com

5682443 Subject to technical modifications.