



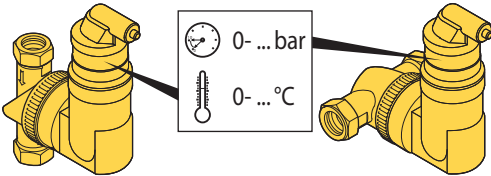
SPIROVENT Microbubble Deaerator UA (RV2) SPIROTECH

Mounting and operation instruction

For article no's starting with UA (RV2), except for UAS

18.930_01




 



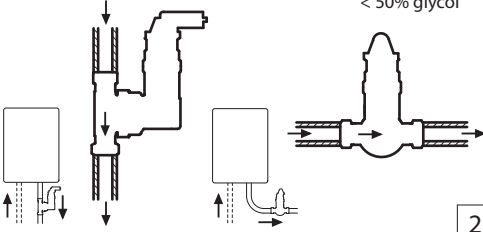
0-...bar
0-...°C

Acc.PED (97/23/EC) §3.3


1

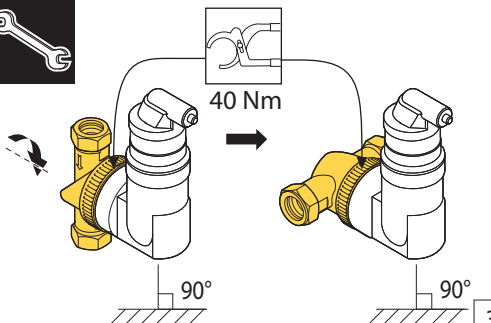
  

< 50% glycol



2







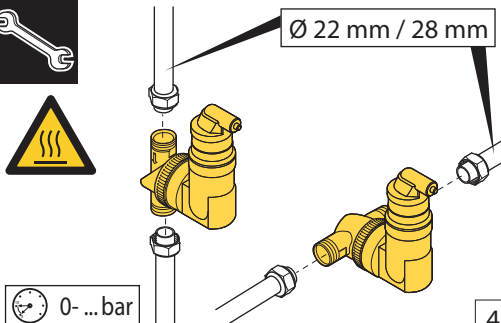
40 Nm

90°

3


 

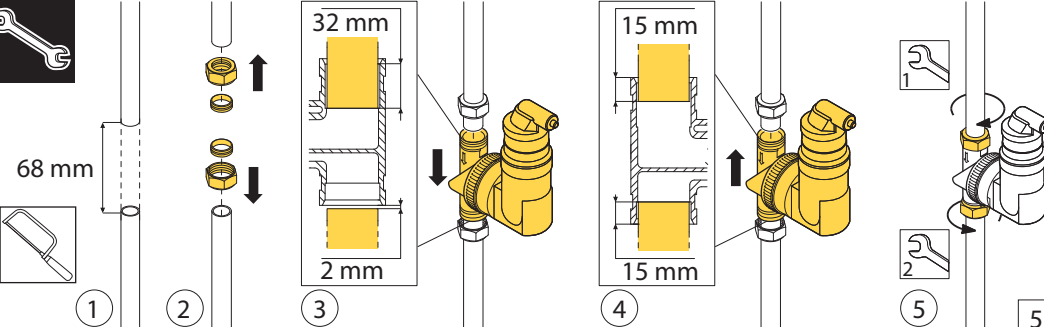
Ø 22 mm / 28 mm



0-...bar

4





68 mm

32 mm

2 mm


15 mm


15 mm

1

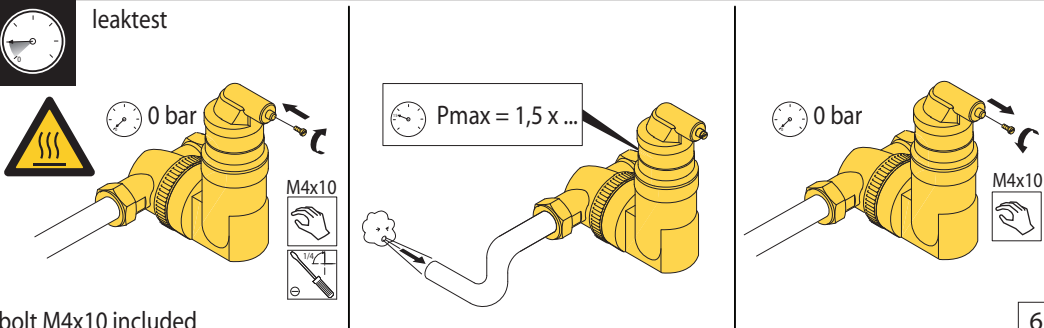
2

5

 leaktest



0 bar



Pmax = 1,5 x ...

0 bar

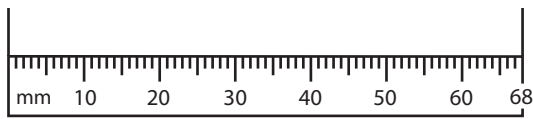
M4x10

M4x10

bolt M4x10 included

6





SPIROVENT Microbubble Deaerator UA (RV2) SPIROTECH

Mounting and operation instruction

For article no's starting with UA (RV2), except for UAS

INSTALLATION AND OPERATING INSTRUCTIONS FOR THE UNIVERSAL SPIROVENT MICROBUBBLE DEAERATORS RV2

Applies to product types UA (RV2), except for UAS:
Manufacturer: Spirotech B.V. Helmond – The Netherlands

This Spirovent product is designed and manufactured according to the Sound Engineering Practice as stated in the Pressure Equipment Directive (97/23/EC art.3.3) adopted by the European Parliament and the European Council in May 1997

Instructions

These instructions should be left with the end user and kept for future reference.

Application

For optimal deaeration for central heating installations the Spirovent RV2 Microbubble Deaerator should be installed on the primary **flow pipe work** at the hottest point and as near as possible to the boiler and before the first tee.

For optimal deaeration on a cooling installation the Spirovent Micro Deaerator should be installed on the primary **return pipe work**.

The Spirovent units are sealed units and do not need to be dismantled or removed from the central heating or cooling systems, no isolation valves are required and they come complete with nuts and olives.

Fully automatic removal of air from central heating water, cooling water, water / glycol mixtures (max 50%), and process water. Not suitable for demineralised water, drinking water, potable water and dangerous or inflammable substances.

General

- Installation should only be carried out by a competent person.
- Units are available in 2 pipe sizes 22mm / 28mm and come complete with compression nuts and olives
- The units do not require isolation valves to be fitted
- They are sealed units and do not need to be dismantled or removed from the system
- No maintenance or service kits are required.
- The units are compatible with all makes and types of boilers & condensing and non condensing boilers
- Suitable for any type of systems e.g. fully pumped or gravity, open vented and sealed systems
- The units are compatible with all makes of certified chemicals in the UK

Pressure and temperature range

Pressure: The units operate until 6 bar, unless clearly indicated otherwise on the product.

Temperature: The units operate from 0 to 110°C, unless clearly indicated otherwise on the product.

Installing the Spirovent RV2 Micro bubble Deaerator

On a central heating system, the Spirovent Micro bubble Deaerator should be installed only on the primary boiler flow pipe work at the hottest point and as near as possible to the boiler and before the first tee.

On a cooling installation the Spirovent Micro bubble Deaerator should be installed only on the main boiler return pipe work

- Drain the central heating system / cooling system
- Fit the Spirovent unit only on the primary boiler flow pipe for central heating installations
- Install the Spirovent unit only on the primary return pipe for cooling installations
- Ensure there is clearance to install the unit and make sure the air vent is kept clear
- The arrow on the unit indicates the direction that the water should flow through the unit.
- For installation on rigid pipe work the Spirovent has been designed with this in mind and one of the internal pipe connections is longer than is normally required and acts as a slip socket.
- Measure & remove the section of pipe (68mm maximum) where the Spirovent will be installed.
- You can slide the pipe into the unit and then slide the unit across in the opposite direction and connect onto the pipe opposite.
- It is important that the pipe is fully inserted into this connection.
- Ensure the body of the Spirovent is positioned vertically (see the drawings).
- Hand tighten the ring nut, and then tighten normally to achieve the final seal.
- Finally, check the installation pressure after the draining and fill up if necessary.
- The Spirovent RV2 Microbubble Deaerator is fully automatic and will remove air and gas therefore no work is required to the unit after commissioning.
- Take care when touching the unit as it is a brass product and may become to hot to touch.

Guarantee

- Spirotech guarantees its products for the life time of the boiler, to a maximum of 20 years after the date of purchase.
- Incorrect use or installation and any attempt to carry out repairs to Spirotech products make any claim on the guarantee invalid.
- Damage resulting from failures is not included in the guarantee.
- Normal wear and tear is excluded from guarantee.

For further information on Spirotech products please contact Spirotech:

Spirotech bv Phone: +31 (0)492 57 89 89

www.spirotech.com

Spirotech UK Ltd phone.: +44 (0)208-451-3344

www.spirotech.co.uk

Spirotech bv Deutschland phone: +49 211 38 42 80

www.spirotech.de

