

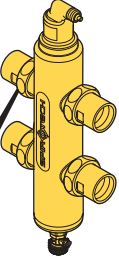


**Mounting and operating instruction**

For article no's starting with AX , except for AXS






18.637-02

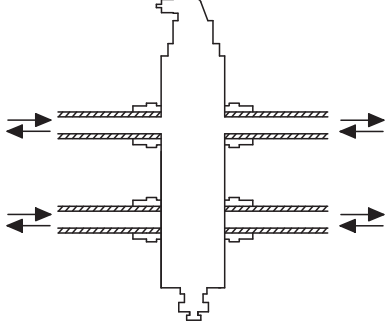
0- ... bar


0- ... °C

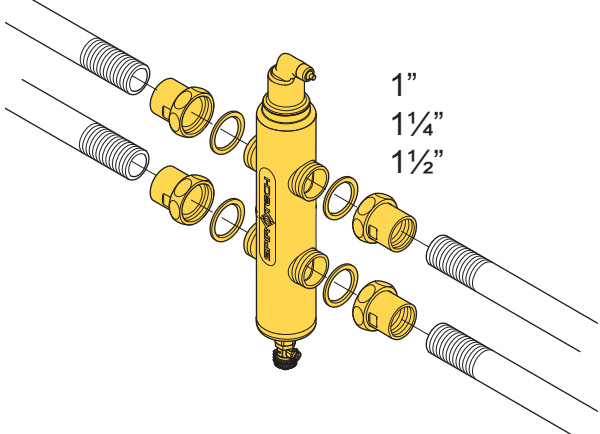
Acc.PED (97/23/EC) §3.3

< 50% glycol









1"

1 1/4"

1 1/2"



0 bar



Pmax = 1,5 x ... bar

