

Vitotrol 300

Remote control for one heating circuit
Part no. 7248 907

Safety instructions



Please follow these safety instructions closely to prevent accidents and material losses.

Safety instructions explained



Please note

This symbol warns against the risk of material losses and environmental pollution.

Note

Details identified by the word "Note" contain additional information.

Installation, initial start-up, inspection, maintenance and repairs must only be carried out by a competent person (heating engineer/installation contractor).

Before working on the equipment/heating system, isolate the power supply (e.g. by removing a separate mains fuse or by means of a mains isolator) and safeguard against unauthorised reconnection.

When using gas as fuel, also close the main gas shut-off valve and safeguard against unauthorised reopening.

Repairing components which fulfil a safety function can compromise the safe operation of your heating system. For replacements, use only original spare parts supplied or approved by Viessmann.

Installation location

- **Weather-compensated mode**
Installation in any room.

- **Operation with room temperature-dependent control**

Installation location (cont.)

- On an internal wall in the living space, at a height of approx. 1.5 m from the floor
- Not near windows and doors
- Not above radiators
- Not near heat sources (direct sunlight, fireplace, TV set etc.)

Do not install further controllers in this room. If radiators are equipped with thermostatic valves, open them fully.

Installing and connecting the Vitotrol 300

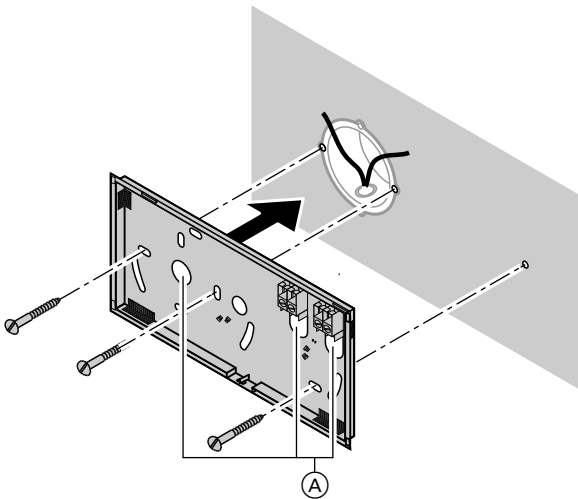
Note

If the remote control cannot be installed in a suitable location, connect the room temperature sensor, part no.7408 012, available as an accessory.



Please note

Electronic modules can be damaged by electrostatic discharges. Before beginning work, touch earthed objects, such as heating or water pipes, to discharge static loads.



Ⓐ Cable entries

When drilling, watch out for hidden cableways.

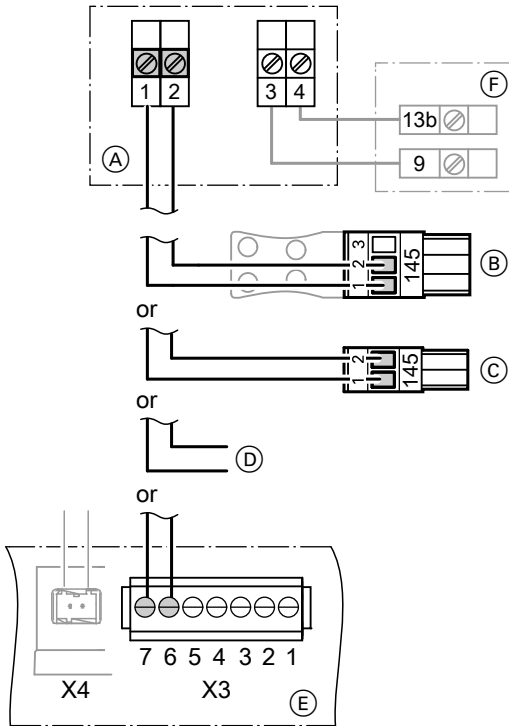
Installing and connecting the Vitotrol 300 (cont.)

Connection

Two-core cable with a cross-section of at least 0.75 mm,
Cable length up to 50 m.

Note

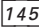
Never route the cable to the remote control immediately next to 230/400 V cables.



- (A) Vitotrol 300
- (B) 3-pin plug [145] to the weather-compensated Vitotronic boiler and heating circuit control unit or to the KM BUS distributor
- (C) 2-pin plug [145] to the weather-compensated Vitotronic boiler and heating circuit control unit or to the KM BUS distributor
- (D) For connection [145] to the A2 electronic module of the Vitotronic control panel control unit
- (E) Weather-compensated, wall mounted control unit
- (F) Separate room temperature sensor (accessory)

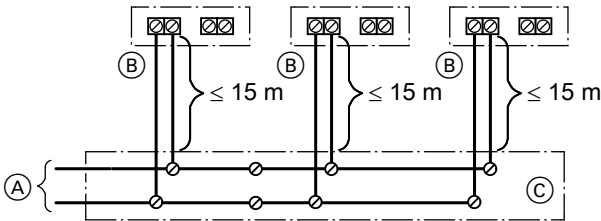
Installing and connecting the Vitotrol 300 (cont.)

Note

If 2-pin plug  is plugged into a 3-pin socket, the connection must be made at terminals 1 and 2.

Connecting several remote control units

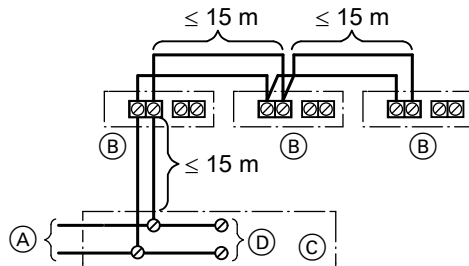
Version 1



- (A) To the control unit or to the KM BUS distributor (see connection diagram on page 3) (B) Vitotrol
(C) Socket (on site)

- On-site connection via socket: Connect in accordance with the diagram
- Limit the total length of all KM BUS cables to 50 m.

Version 2

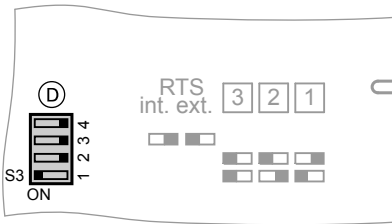


- (A) To the control unit or to the KM BUS distributor (see connection diagram on page 3) (B) Vitotrol
(C) Socket (on site)
(D) Further BUS subscribers

Connecting several remote control units (cont.)

- If several remote control units and additional KM BUS users are connected, make the connections via an on-site socket as shown in the diagram.
- Limit the total length of all KM BUS cables to 50 m.

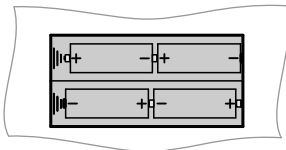
Adjusting the DIP switches



- (A) PCB DIP switches (back of the casing top)

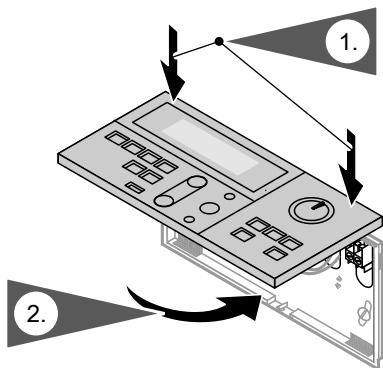
Remote control	DIP switch setting
Delivered condition: Remote control affects heating circuit A1/M1/HC1	ON
Remote control affects heating circuit M2/HC2	ON
Remote control affects heating circuit M3	ON
When connecting a separate room temperature sensor, also set DIP switch "S3.3" to "ON".	ON

Inserting batteries

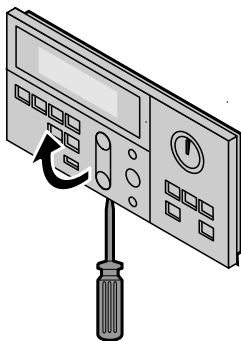


To illuminate the display, insert the batteries supplied (MICRO/ LR03/AAA) into the battery compartment at the back of the equipment.

Connecting the remote control



Opening the remote control unit



Changing the setting range for the standard set room temperature

Delivered condition:

10 to 30 °C

Changeover to

■ 3 to 23 °C

■ 17 to 37 °C

via coding address "E1" on the

Vitotronic.



Vitotronic installation and service instructions

Operating state/scanning temperatures



Vitotrol operating instructions

Specification

Power supply via KM BUS.		Setting range for stand-	
Power consumption	0.5 W	ard set room temp.	10 to 30 °C
Protection class	III	Setting range for	
IP rating	IP 30	reduced set room temp.	3 to 37°C
Permiss. ambient tem-			
perature			
■ during operation	0 to + 40 °C		
■ during storage and	-20 to +		
transport:	65 °C		

Viessmann Werke GmbH&Co KG
D-35107 Allendorf
Telephone: +49 6452 70-0
Fax: +49 6452 70-2780
www.viessmann.com

Viessmann Limited
Hortonwood 30, Telford
Shropshire, TF1 7YP, GB
Telephone: +44 1952 675000
Fax: +44 1952 675040
E-mail: info-uk@viessmann.com

5592 911 GB Subject to technical modifications.



Printed on environmentally friendly,
chlorine-free bleached paper