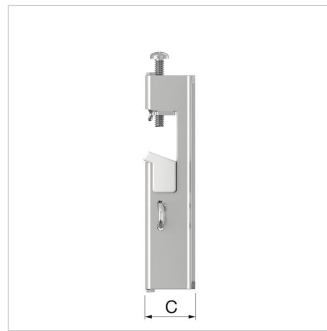
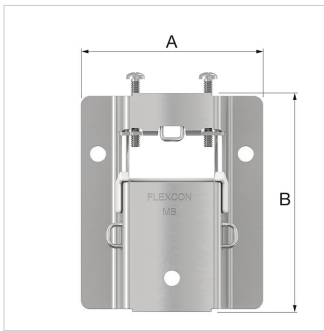


Product Data Sheet (2019-02-08)
27913 - Flexcon vessel support MB 2


Description		Flexcon MB2 vessel support bracket
Article		27913
Model		MB
Dimensions	A [mm]	94
	B [mm]	113
	C [mm]	26


Packaging info

Unity of use	1 Piece
Packaging form	Box
Packaging dimensions (H. x W. x L.)	35 x 100 x 120 mm
Weight	0.34 Kilogram

Classification General Data

Etim Group	Pressure increase/decrease
Etim Class	Expansion vessel bracket
Product Name	Flexcon MB2 vessel support bracket
Brand	Flamco
Product Series	Flexcon MB
Product Type	Flexcon MB 2 montagebeugel

Attributes

Tank size [I]	8 - 25
With mounting material	Yes

Flamco Limited
Washway Lane
WA10 6PB, St Helens, Merseyside - gb
T 017 447 447 44
F 017 447 447 00
E info@flamco.co.uk
I flamcogroup.com/uk-en