

Installation instructions

for contractors



Safety valve replacement

for the Vitodens 100-W, type WB1B

Safety instructions



Please follow these safety instructions closely to prevent accidents and material losses.

Safety instructions explained



Danger
This symbol warns against the risk of injury.

Note

Details identified by the word "Note" contain additional information.

Installation, initial start-up, inspection, maintenance and repairs must only be carried out by a competent person (heating engineer/installation contractor).

Before working on the equipment/heating system, isolate the power supply (e.g. by removing a separate mains fuse or by means of a mains isolator) and safeguard against unauthorised reconnection.

When using gas as fuel, also close the main gas shut-off valve and safeguard against unauthorised reopening.

Repairing components which fulfil a safety function can compromise the safe operation of your heating system.

For replacements, use only original spare parts supplied or approved by Viessmann.

Opening the Vitodens

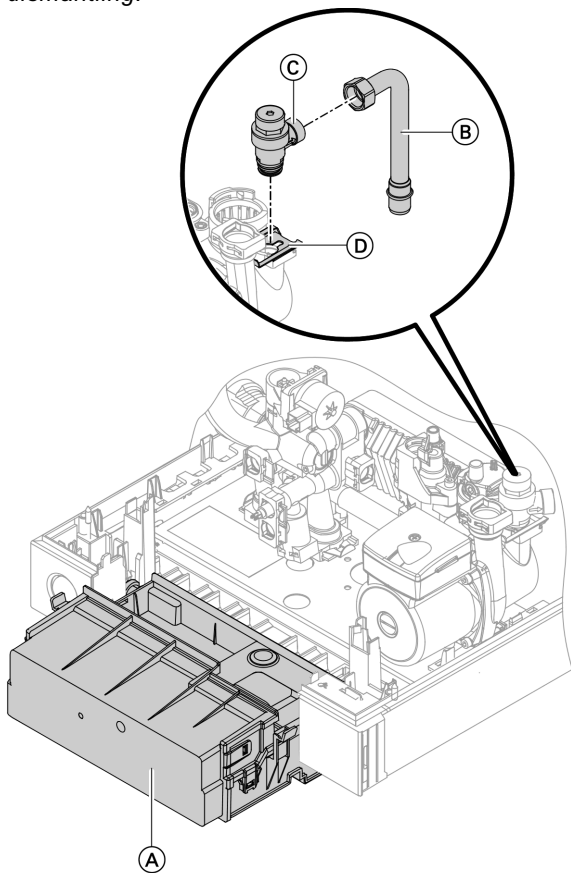


Installation and service instructions

Replacing the safety valve

Note

Residual water may escape during dismantling.



1. Drain the boiler from the heating water side.



Installation and service instructions

2. Release side closures and pivot control unit (A) down.

3. Remove drain pipe (B) from safety valve (C).

4. Release locking clip (D) and remove safety valve (C).

5. Insert new safety valve (C) and secure with locking clip (D).

Replacing the safety valve (cont.)

- Secure drain pipe ② with new gasket to safety valve.
- Reassemble boiler in reverse order.
- Fill boiler with water, flush (vent) and check for leaks.



Installation and service instructions



Danger

Escaping gas leads to a risk of explosion.
Check gas equipment for tightness.

Viessmann Werke GmbH&Co KG
D-35107 Allendorf
Telephone: +49 6452 70-0
Fax: +49 6452 70-2780
www.viessmann.com

Viessmann Limited
Hortonwood 30, Telford
Shropshire, TF1 7YP, GB
Telephone: +44 1952 675000
Fax: +44 1952 675040
E-mail: info-uk@viessmann.com

5355 483 GB Subject to technical modifications.



Printed on environmentally friendly,
chlorine-free bleached paper