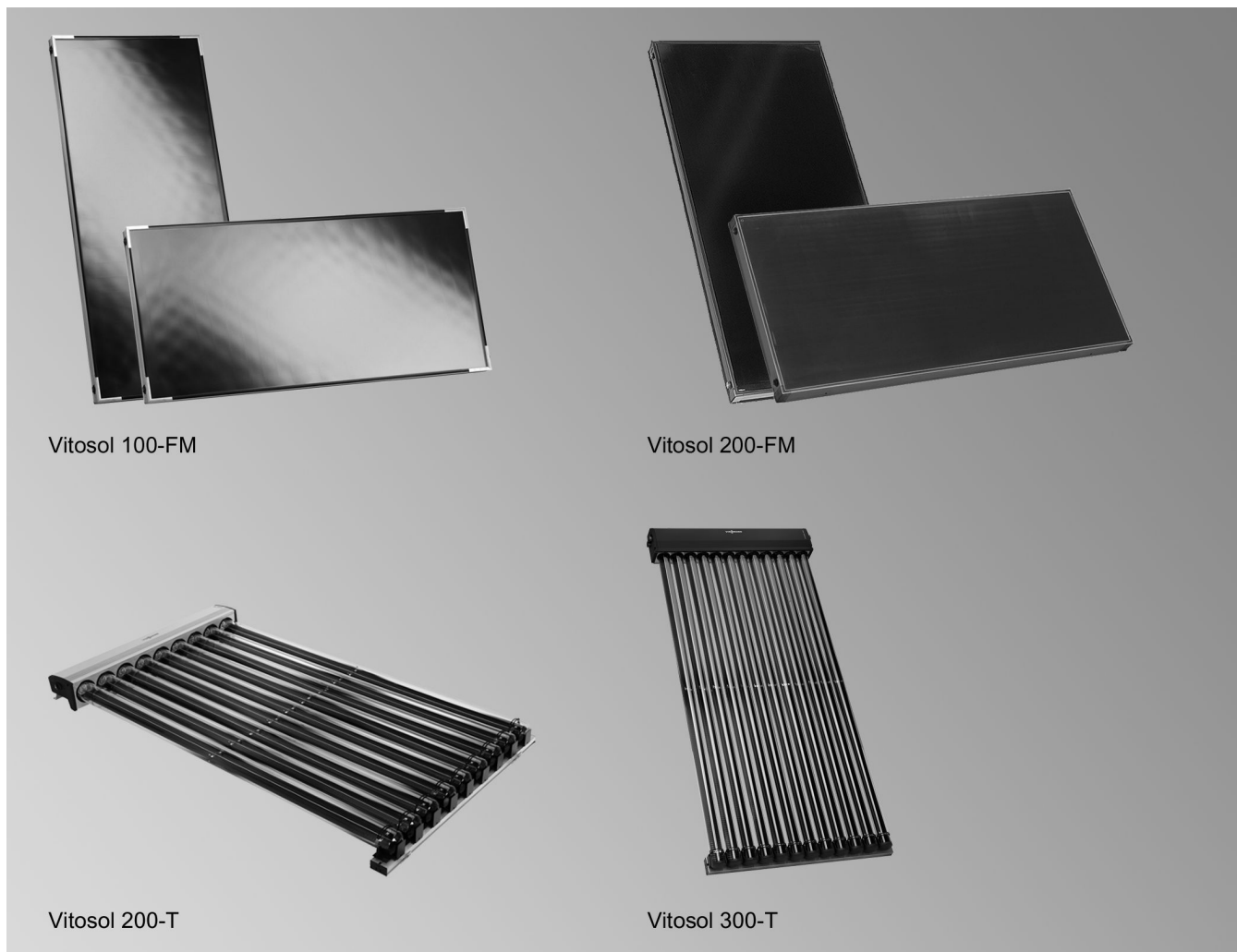


## Technical guide



Vitosol 100-FM

Vitosol 200-FM

Vitosol 200-T

Vitosol 300-T

### VITOSOL 100-FM/-F

#### Flat-plate collector, type SV and SH

For installation on flat and pitched roofs and for freestanding installation

Type SH also for installation on walls

### VITOSOL 200-FM/-F

#### Flat-plate collector, type SV2F/SH2F, SV2D

For installation on flat and pitched roofs and for freestanding installation

Type SH also for installation on walls

### VITOSOL 300-TM

#### Type SP3C

For installation on flat or pitched roofs, on walls and for freestanding installation

### VITOSOL 200-TM

#### Type SPEA

For installation on flat and pitched roofs and for freestanding installation

Index

<b>1. Principles</b>	1. 2 Viessmann collector range .....	5
	■ Vitosol-FM with ThermProtect automatic temperature-dependent shutdown .....	5
	■ Vitosol 300-TM with automatic temperature-dependent shutdown .....	5
	■ Vitosol 200-TM with ThermProtect automatic temperature-dependent shutdown .....	5
	■ Vitosol-F .....	5
	1. 3 Parameters for collectors .....	6
	■ Area designations .....	6
	■ Collector efficiency .....	6
	■ Thermal capacity .....	8
	■ Stagnation temperature .....	8
	■ System filling pressure and steam-producing power .....	8
	■ Solar coverage .....	8
	1. 4 Orientation, inclination and shading of the receiver surface .....	9
	■ Inclination of the receiver surface .....	9
	■ Orientation of the receiver surface .....	9
	■ Avoiding shading of the receiver surface .....	9
<b>2. Vitosol 100-FM, type SV1F/SH1F and Vitosol 100-F, type SV1B/SH1B</b>	2. 1 Product description .....	10
	■ Benefits .....	10
	■ Factory setting .....	10
	2. 2 Specification .....	11
	2. 3 Tested quality .....	12
<b>3. Vitosol 200-FM, type SV2F/SH2F and Vitosol 200-F, type SV2D</b>	3. 1 Product description .....	14
	■ Benefits .....	14
	■ Factory setting .....	15
	3. 2 Specification .....	16
	3. 3 Tested quality .....	17
<b>4. Vitosol 300-TM, type SP3C</b>	4. 1 Product description .....	18
	■ Benefits .....	18
	■ Delivered condition .....	19
	4. 2 Specification .....	19
	4. 3 Tested quality .....	20
<b>5. Vitosol 200-TM, type SPEA</b>	5. 1 Product description .....	21
	■ Benefits .....	21
	■ Delivered condition .....	21
	5. 2 Specification .....	22
	5. 3 Tested quality .....	23
<b>6. Solar control units</b>	6. 1 Solar control module, type SM1, part no. Z014470 .....	25
	■ Specification .....	25
	■ Delivered condition .....	26
	■ Tested quality .....	26
	6. 2 Vitosolic 100, type SD1, part no. Z007387 .....	26
	■ Specification .....	26
	■ Delivered condition .....	27
	■ Tested quality .....	27
	6. 3 Vitosolic 200, type SD4, part no. Z007388 .....	27
	■ Specification .....	27
	■ Delivered condition .....	28
	■ Tested quality .....	28
	6. 4 Functions .....	29
	6. 5 Accessories .....	37
	■ Allocation to solar control units .....	37
	■ Contactor relay .....	37
	■ Immersion temperature sensor .....	37
	■ Collector temperature sensor .....	38
	■ Stainless steel sensor well .....	38
	■ Heat meter .....	38
	■ Solar cell .....	39
	■ Large display .....	39
	■ High limit safety cut-out .....	39
	■ Pressure switch .....	40
	■ Temperature controller as temperature limiter (maximum limit) .....	40
	■ Temperature controller .....	40
	■ Temperature controller .....	41

<b>7. DHW cylinders</b>	7. 1 Vitocell 100-U, type CVUB/CVUC-A .....	42
	7. 2 Vitocell 100-B, type CVB/CVBB .....	46
	7. 3 Vitocell 100-V, type CVW .....	54
	■ Solar heat exchanger set .....	58
	7. 4 Vitocell 300-B, type EVBA-A .....	60
	7. 5 Vitocell 140-E, type SEIA/SEIC and Vitocell 160-E, type SESA .....	64
	7. 6 Vitocell 340-M, type SVKC and Vitocell 360-M, type SVSB .....	69
	7. 7 Vitocell 100-V, type CVA/CVAA/CVAA-A .....	75
	7. 8 Vitocell 300-V, type EVIA-A, EVIA-A+ .....	82
<b>8. Installation accessories</b>	8. 1 Solar-Divicon and solar pump assembly .....	88
	■ Heat meter .....	91
	■ Solar safety valve 8 bar .....	91
	8. 2 Hydraulic accessories .....	92
	■ Connecting tee .....	92
	■ Connection line .....	92
	■ Installation kit for connection line .....	92
	■ Manual air vent valve .....	93
	■ Air separator .....	93
	■ Quick-action air vent valve (with tee) .....	93
	■ Connecting cable .....	94
	■ Solar flow and return lines .....	94
	■ Solar line roof outlet .....	94
	■ Connection accessories for residual lengths of solar flow and return lines .....	94
	■ Solar expansion vessel .....	95
	■ Line regulating valve .....	95
	■ Line regulating valve .....	95
	■ Automatic thermostatic mixing valve .....	96
	■ Thermostatic DHW circulation set .....	96
	■ 3-way diverter valve .....	96
	■ Threaded DHW circulation fitting .....	97
	8. 3 Heat transfer medium .....	98
	■ Fill valve .....	98
	■ Fill station .....	98
	■ Filling trolley .....	98
	■ Solar manual fill pump .....	98
	■ Heat transfer medium "Tyfocor LS" .....	98
	8. 4 Other accessories .....	99
	■ Transport aid .....	99
<b>9. Design information regarding installation</b>	9. 1 Snow load and wind load zones .....	99
	9. 2 Distance from the edge of the roof .....	99
	9. 3 Routing pipework .....	100
	9. 4 Equipotential bonding/lightning protection of the solar thermal system .....	100
	9. 5 Thermal insulation .....	100
	9. 6 Solar lines .....	100
	9. 7 Collector fixing .....	101
	■ Above roof installation .....	102
	■ Flat roof installation .....	102
	■ Installation on walls .....	102
<b>10. Design information regarding installation on pitched roofs — above roof installation</b>	10. 1 Above roof installation with rafter anchors .....	103
	■ General information .....	103
	■ Vitosol-FM/-F flat-plate collectors .....	105
	■ Vitosol 300-TM vacuum tube collectors, type SP3C .....	106
	■ Vitosol 200-TM vacuum tube collectors, type SPEA .....	107
	■ Collector supports on pitched roofs .....	107
	10. 2 Above roof installation with rafter hooks .....	107
	■ General information .....	107
	■ Vitosol-FM/-F flat-plate collectors .....	108
	■ Vitosol 300-TM vacuum tube collectors, type SP3C .....	109
	■ Vitosol 200-TM vacuum tube collectors, type SPEA .....	109
	10. 3 Above roof installation with rafter flanges .....	110
	■ General information .....	110
	■ Vitosol-FM/-F flat-plate collectors .....	111
	■ Vitosol 300-TM vacuum tube collectors, type SP3C .....	111
	■ Vitosol 200-TM vacuum tube collectors, type SPEA .....	112
	10. 4 Above roof installation for corrugated sheet roofs .....	112
	10. 5 Above roof installation for sheet metal roofs .....	113
	■ General information .....	113

<b>11. Design information regarding flat roof installation</b>	<ul style="list-style-type: none"> <li>11. 1 Calculating collector row clearance "z" ..... 113</li> <li>11. 2 Vitosol-FM/-F flat-plate collectors (on collector supports) ..... 114 <ul style="list-style-type: none"> <li>■ Collector supports with variable angle of inclination ..... 114</li> <li>■ Collector supports with fixed angle of inclination ..... 117</li> </ul> </li> <li>11. 3 Vacuum tube collectors (on collector supports) ..... 118 <ul style="list-style-type: none"> <li>■ Collector supports with variable angle of inclination ..... 119</li> <li>■ Collector supports with fixed angle of inclination ..... 120</li> </ul> </li> <li>11. 4 Vitosol 200-TM vacuum tube collectors, type SPEA and Vitosol 300-TM, type SP3BC (horizontal) ..... 121 <ul style="list-style-type: none"> <li>■ Type SPEA ..... 122</li> </ul> </li> </ul>	
<b>12. Design information for installation on walls</b>	<ul style="list-style-type: none"> <li>12. 1 Vitosol-FM/-F flat-plate collectors, type SH ..... 122 <ul style="list-style-type: none"> <li>■ Collector supports – angle <math>\gamma</math> 10 to 45° ..... 122</li> </ul> </li> <li>12. 2 Vitosol 300-TM vacuum tube collectors, type SP3C ..... 122</li> </ul>	
<b>13. Information regarding design and operation</b>	<ul style="list-style-type: none"> <li>13. 1 Sizing the solar thermal system ..... 123 <ul style="list-style-type: none"> <li>■ System for heating DHW ..... 124</li> <li>■ System for DHW heating and central heating backup ..... 125</li> <li>■ Swimming pool heating system – heat exchanger and collector ..... 126</li> </ul> </li> <li>13. 2 Solar thermal system operating modes ..... 128 <ul style="list-style-type: none"> <li>■ Flow rate in the collector array ..... 128</li> <li>■ Which operating mode is the right one? ..... 128</li> </ul> </li> <li>13. 3 Installation examples Vitosol-FM/-F, types SV and SH ..... 128 <ul style="list-style-type: none"> <li>■ High flow operation — single sided connection ..... 128</li> <li>■ High flow operation — connection on alternate sides ..... 128</li> <li>■ Low flow operation — single sided connection ..... 129</li> <li>■ Low flow operation — connection on alternate sides ..... 129</li> </ul> </li> <li>13. 4 Installation examples Vitosol 200-TM, type SPEA ..... 129 <ul style="list-style-type: none"> <li>■ Vertical installation on pitched roofs, installation on collector supports or horizontal installation ..... 129</li> <li>■ Horizontal installation on a pitched roof ..... 130</li> </ul> </li> <li>13. 5 Installation examples Vitosol 300-TM, type SP3C ..... 130 <ul style="list-style-type: none"> <li>■ Vertical installation on pitched roofs, installation on collector supports or horizontal installation ..... 131</li> <li>■ Horizontal installation on pitched roofs and on walls ..... 131</li> </ul> </li> <li>13. 6 Pressure drop of the solar thermal system ..... 132 <ul style="list-style-type: none"> <li>■ Pressure drop of the solar flow and return lines ..... 133</li> <li>■ Pressure drop Vitosol-FM/-F, types SV and SH ..... 133</li> <li>■ Pressure drop Vitosol 200-TM and Vitosol 300-TM ..... 134</li> </ul> </li> <li>13. 7 Flow velocity and pressure drop ..... 135 <ul style="list-style-type: none"> <li>■ Flow velocity ..... 135</li> <li>■ Pressure drop of the pipework ..... 136</li> </ul> </li> <li>13. 8 Sizing the circulation pump ..... 137</li> <li>13. 9 Ventilation ..... 138</li> <li>13.10 Safety equipment ..... 138 <ul style="list-style-type: none"> <li>■ Stagnation in solar thermal systems ..... 138</li> <li>■ Adjust system pressure ..... 141</li> <li>■ Expansion vessel ..... 141</li> <li>■ Safety valve ..... 142</li> <li>■ High limit safety cut-out ..... 142</li> </ul> </li> <li>13.11 Additional function for DHW heating ..... 143</li> <li>13.12 Connecting the DHW circulation and automatic thermostatic mixing valve ..... 143</li> <li>13.13 Intended use ..... 144</li> </ul>	
<b>14. Appendix</b>	<ul style="list-style-type: none"> <li>14. 1 Subsidy programmes, permits and insurance ..... 144</li> <li>14. 2 Glossary ..... 144</li> </ul>	
<b>15. Keyword index</b>	..... 146	



## Principles

Together with Viessmann heating systems, solar thermal systems create an optimum system solution for DHW and swimming pool heating, central heating backup and other applications.

This technical guide includes a summary of all technical documents for the required components, as well as design and sizing information especially for systems for detached houses. This technical guide is a product-related addition to Viessmann's "Solar thermal systems" technical guide. You can obtain a printed version of Viessmann's "Solar thermal systems" technical guide from your Viessmann sales consultant or download it from <http://www.viessmann.de>. On the website, you will also find electronic aids regarding collector fixing and maintaining the correct pressure in solar thermal systems.

### 1.2 Viessmann collector range

#### Vitosol-FM with ThermProtect automatic temperature-dependent shutdown

Vitosol-FM flat-plate collectors feature a unique absorber coating. This coating changes its optical properties subject to temperature. In the standard temperature range of the solar thermal system, the collectors have the same performance values as conventional solar collectors. As soon as the solar cylinder has reached the required heat-up condition, an excess of solar energy causes the collector temperature to rise. If the collector temperature exceeds the switching temperature of the absorber, the output automatically adapts to match the reduced heat draw-off. Stagnation temperatures of max. 145 °C are reached in the collector when the system is at a standstill. When the collector temperature drops, output will increase again. In a solar thermal system with switching flat-plate collectors, the formation of steam can be safely prevented with simultaneous adjustment of the system pressure. This helps to protect the system components (pump, check valves, expansion vessel, etc.) and the heat transfer medium. Reliability and service life are improved.

For economic reasons, the same sizing rules used for conventional flat-plate collectors apply to switching collectors. Due to the low end temperatures, the collector area may be oversized to achieve higher solar coverage.

#### Vitosol 300-TM with automatic temperature-dependent shutdown

Vacuum tube collector with phase-change temperature-dependent shutdown

The Vitosol 300-TM is a highly efficient vacuum tube collector based on the heat pipe principle, with ThermProtect automatic temperature-dependent shutdown. Solar energy causes the medium sealed inside the heat pipe to evaporate. The resulting condensation in the condenser dissipates heat to the solar circuit. The medium flows back into the sunlit area of the vacuum tubes. At collector temperatures of 120 °C and above, the medium is no longer able to condense. Thanks to this phase-change blocking, heat transfer is interrupted and the system is thus protected against excessively high stagnation temperatures. This results in a maximum stagnation temperature of 150 °C.

The collector adjusts itself automatically to the reduced heat consumption. If the collector temperature drops, output will increase again. Simultaneous system pressure adjustment safely prevents steam formation. The system components are protected.

For economic reasons, the same sizing rules used for conventional collectors apply to switching collectors. Due to the low end temperatures, the collector area may be oversized to achieve higher solar coverage.

#### Vitosol 200-TM with ThermProtect automatic temperature-dependent shutdown

The Vitosol 200-TM series solar collector also has ThermProtect phase-change temperature-dependent shutdown. The collector operating principle and shutdown are identical to those of the Vitosol 300-TM. The higher 175 °C stagnation temperature involves controlled evaporation of the heat transfer medium.

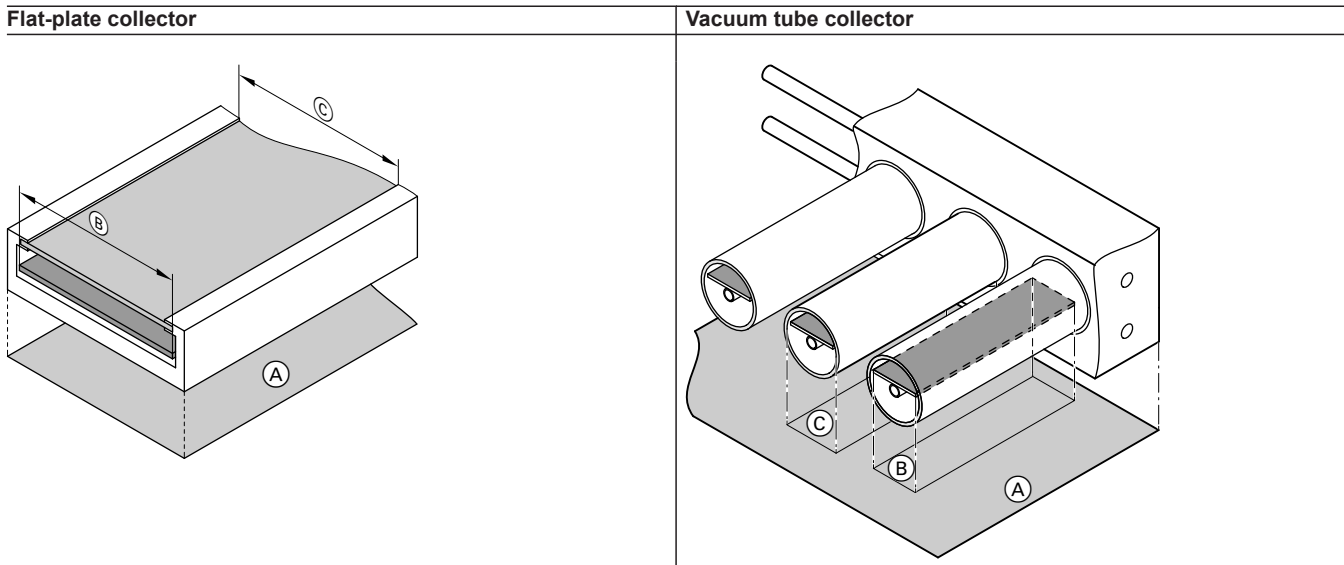
#### Vitosol-F

Solar thermal systems with Vitosol-F supply efficient, reliable renewable heat for DHW heating and central heating backup, or process heat. During summertime, the available solar energy may exceed heat demand. The solar system stagnates, which can have a negative impact on the service life of system components.

It is therefore important that the professional installer ensures sound system sizing. Design the collector area and cylinder size according to the energy requirement. Alternatively, equip collectors with ThermProtect.

### 1.3 Parameters for collectors

#### Area designations



- **Gross area (A)**  
Describes the external dimensions (length x width) of a collector. It is decisive when planning the installation and when calculating the roof area required, as well as for most subsidy programs when applying for subsidies.
  - **Absorber area (B)**  
Selectively coated metal area, which is set into the collector.
  - **Aperture area (C)**  
The aperture area is the technically relevant specification for designing a solar thermal system and for the use of sizing programs.
- Flat-plate collector:**  
Area of collector cover through which solar rays can enter.
- Vacuum tube collector:**  
Sum of longitudinal sections of the single tubes. Since the tubes are smaller at the top and bottom with no absorber area, the aperture area of these devices is slightly larger than the absorber area.

#### Collector efficiency

The efficiency of a collector (see chapter "Specification" for the relevant collector) specifies the proportion of insolation hitting the absorber area that can be converted into useable heat. The efficiency depends, among other things, on the operating conditions of the collector. The calculation method is the same for all collector types.

Some of the insolation striking the collectors is "lost" through reflection and absorption at the glass pane and through absorber reflection. The ratio between the insolation striking the collector and the radiation that is converted into heat on the absorber is used to calculate the **optical efficiency  $\eta_0$** .

When the collector heats up, it transfers some of that heat to the ambience through thermal conduction of the collector material, thermal radiation and convection. These losses are calculated by means of the heat loss factors  $k_1$  and  $k_2$  and the temperature differential  $\Delta T$  (given in K) between the absorber and the surroundings:

$$\eta = \eta_0 - \frac{k_1 \cdot \Delta T}{E_g} - \frac{k_2 \cdot \Delta T^2}{E_g}$$

#### Efficiency curves

The optical efficiency  $\eta_0$  and the heat loss factors  $k_1$  and  $k_2$  together with temperature differential  $\Delta T$  and the irradiance  $E_g$  are sufficient to determine the efficiency curve. Maximum efficiency is achieved when the differential between the absorber and ambient temperature  $\Delta T$  and the thermal losses is zero. The higher the collector temperature, the higher the heat losses and the lower the efficiency. The typical operating ranges of the collectors can be read off the efficiency curves. This gives the adjustment options of the collectors.

Typical operating ranges (see following diagram):

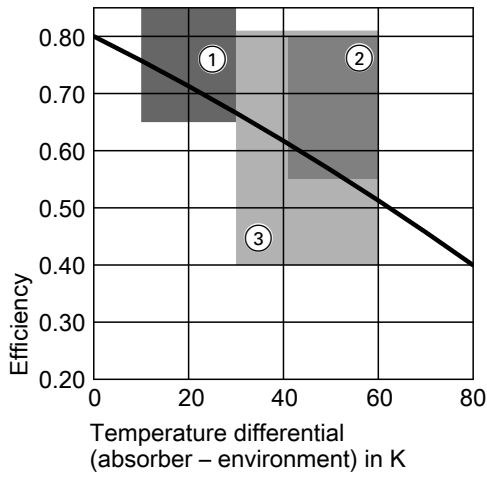
- ① Solar thermal system for DHW at low coverage
- ② Solar thermal system for DHW at higher coverage
- ③ Solar thermal systems for DHW and solar central heating backup
- ④ Solar thermal systems for process heat/solar-powered air conditioning

The following diagrams show the efficiency curves relative to the absorber surfaces of the collectors.

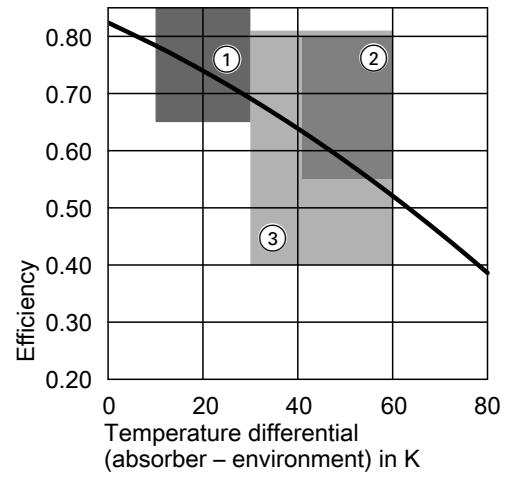
## Principles (cont.)

### Flat-plate collectors

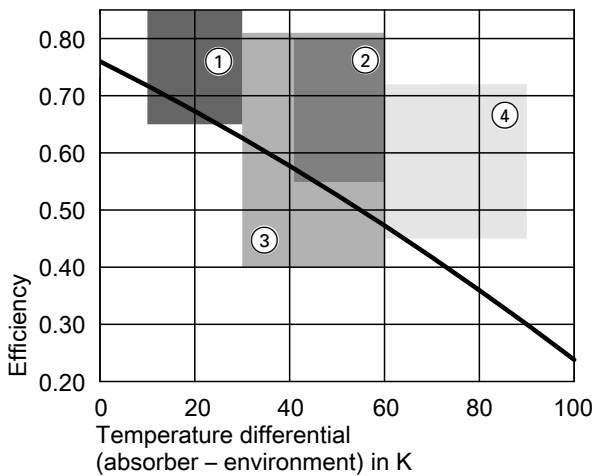
Vitosol 100-FM, type SV1F/SH1F



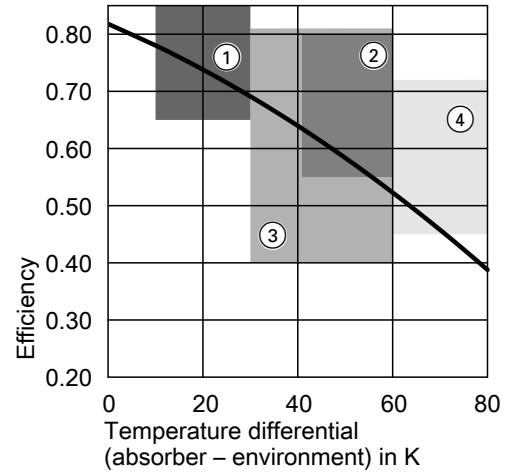
Vitosol 200-FM, type SV2F/SH2F



Vitosol 100-F, type SV1B/SH1B

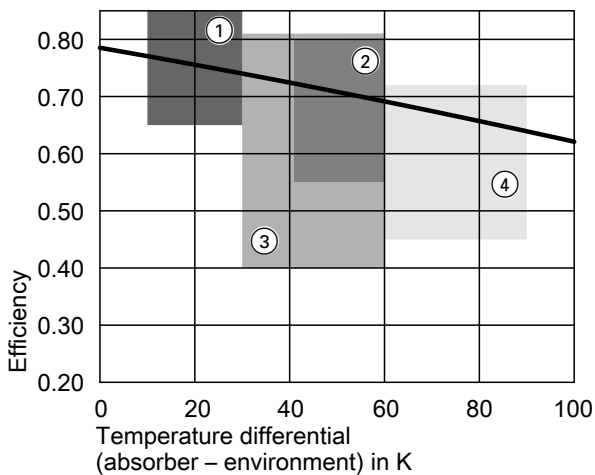


Vitosol 200-F, type SV2D

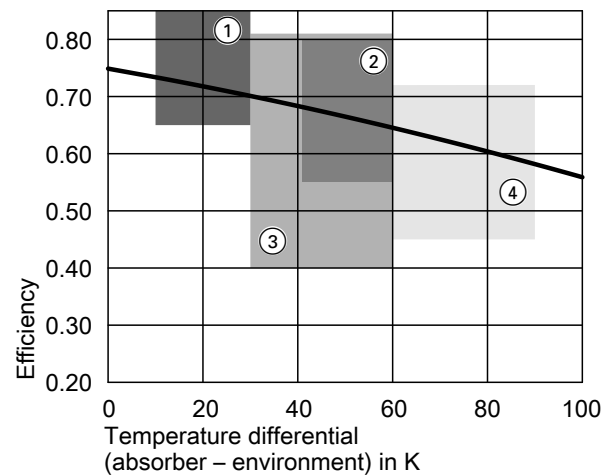


### Vacuum tube collectors

Vitosol 300-TM, type SP3C



Vitosol 200-TM, type SPEA



### Thermal capacity

The thermal capacity in  $\text{kJ}/(\text{m}^2 \cdot \text{K})$  indicates the amount of heat absorbed by the collector per  $\text{m}^2$  and K. This heat is only available to the system to a limited extent.

### Stagnation temperature

The stagnation temperature is the maximum temperature that the collector can reach during insolation of  $1000 \text{ W}/\text{m}^2$ .

- Vitosol-FM, with ThermProtect, approx.  $145 \text{ }^\circ\text{C}$
- Vitosol 200-TM with temperature-dependent shutdown, approx.  $170 \text{ }^\circ\text{C}$
- Vitosol 300-TM with temperature-dependent shutdown, approx.  $150 \text{ }^\circ\text{C}$
- Vitosol-F: Approx.  $200 \text{ }^\circ\text{C}$

If no heat is drawn from the collector, it will heat up until it reaches the stagnation temperature. In this state, the thermal losses are of the same magnitude as the radiation absorbed.

### System filling pressure and steam-producing power

#### Steam-producing power

The steam-producing power in  $\text{W}/\text{m}^2$  indicates the maximum power level at which a collector produces steam during stagnation and transfers it to the system, when evaporation occurs.

Switching flat-plate collectors in solar thermal systems with sufficiently high system pressure no longer produce steam. The steam-producing power of such collectors is therefore  $0 \text{ W}/\text{m}^2$ .

Observe chapter "Safety equipment" on page 138.

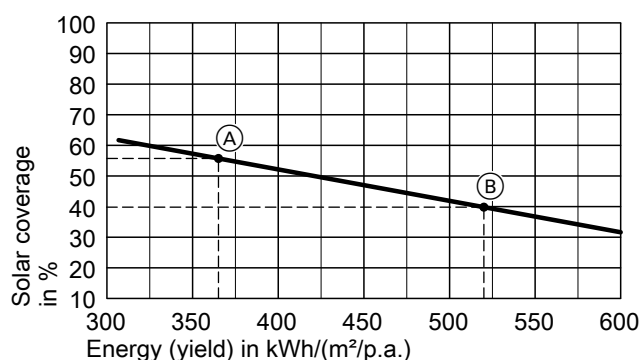
#### Vitosol-F, Vitosol 200-TM

System pressure  $1.0 \text{ bar}$ . This ensures controlled solar medium evaporation.

#### Vitosol-FM and Vitosol 300-TM system filling pressure

To prevent evaporation or spread of the solar medium in the solar thermal system, the system filling pressure of the solar thermal system must be increased. At the highest point of the solar thermal system, a pressure of  $3.0 \text{ bar}$  must be present. See page 141. The static head of the solar thermal system, the pressure reserve for ventilation, and the supplement for the difference in height between the expansion vessel and the safety valve, must also be taken into account when filling the system. Adjust the pre-charge pressure of the expansion vessel to match the relevant system configuration. Always adjust the pre-charge pressure of the expansion vessel before filling the solar thermal system.

### Solar coverage



The solar coverage indicates what percentage of the annually required energy for DHW and central heating can be covered by the solar thermal system.

Designing a solar thermal system always entails finding a good compromise between yield and solar coverage. The higher the selected solar coverage, the more conventional energy is saved.

However, high coverage is linked to an excess of heat in summer. This means a lower average collector efficiency and lower yields (energy in kWh) per  $\text{m}^2$  absorber area.

- (A) Conventional sizing for DHW systems in detached houses
- (B) Conventional sizing for large solar thermal systems

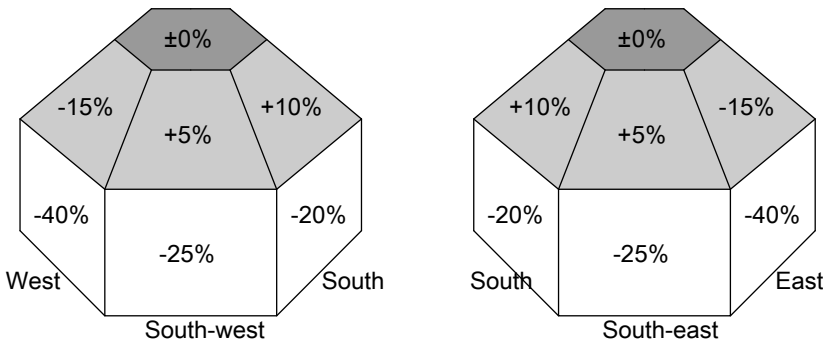
## 1.4 Orientation, inclination and shading of the receiver surface

### Inclination of the receiver surface

The yield of a solar thermal system varies depending on the inclination and orientation of the collector area. If the receiver surface is angled, the angle of incidence changes, as does the irradiance, and consequently the amount of energy. This is greatest when the radiation hits the receiver surface at right angles. In our latitudes, this case never arises relative to the horizontal. Consequently, the inclination of the receiver surface can optimise the yield. In Germany, a receiver surface angled 35° receives approx. 12 % more energy when oriented towards the south (compared with a horizontal position).

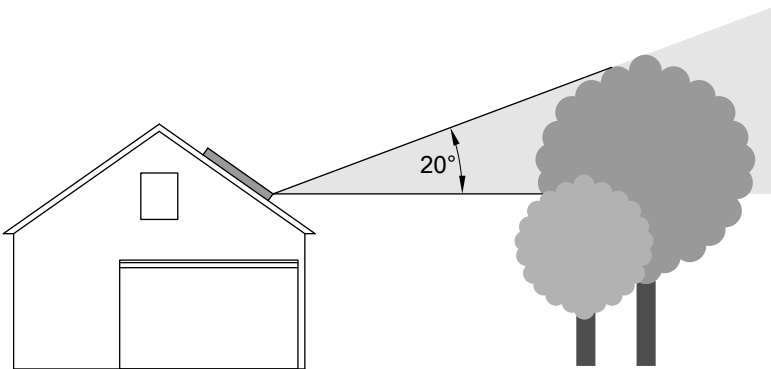
### Orientation of the receiver surface

An additional factor for calculating the amount of energy that can be expected is the orientation of the receiver surface. In the northern hemisphere, an orientation towards south is ideal. The following figure shows the interaction of orientation and inclination. Relative to the horizontal, greater or lesser yields result. A range for optimum yield of a solar thermal system can be defined between south-east and south-west and at angles of inclination between 25 and 70°. Greater deviations, for example, for installation on walls, can be compensated for by a correspondingly larger collector area.



### Avoiding shading of the receiver surface

Looking at the installation of a collector facing south, we recommend that the area between south-east and south-west is kept free of shading (at an angle towards the horizon of up to 20°). It should be remembered that the system is to operate for longer than 20 years, and that during this time, for example, trees would grow substantially.



### 2.1 Product description

The absorbers of the Vitosol 100-F and Vitosol 100-FM collectors, with their selective coating, ensure a high level of absorption of insolation. The copper pipe shaped like a meander ensures an even heat transfer at the absorber.

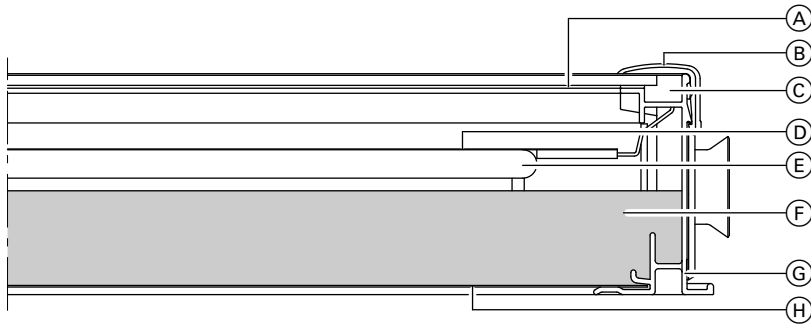
The collector casing features heat-resistant thermal insulation and a cover made from low ferrous solar glass.

Flexible connection pipes sealed with O-rings provide a secure parallel connection of up to 12 collectors.

A connection set with locking ring fittings enables the collector array to be readily connected to the solar circuit pipework. The collector temperature sensor is mounted in a sensor well set, located in the solar circuit flow.

The collector is available in 2 versions

- Vitosol 100-FM, type SV2F/SH2F with ThermProtect switching absorber coating
- Vitosol 100-F, type SV1B/SH1B with a special absorber coating is designed for coastal regions (see chapter "Specification").



- |  |  |
|--|--|
| <ul style="list-style-type: none"> <li>Ⓐ Solar glass cover, 3.2 mm</li> <li>Ⓑ Aluminium cover bracket at the collector corners</li> <li>Ⓒ Pane seal</li> <li>Ⓓ Absorber</li> </ul> | <ul style="list-style-type: none"> <li>Ⓔ Meander-shaped copper pipe</li> <li>Ⓕ Thermal insulation made from mineral fibre</li> <li>Ⓖ Aluminium frame</li> <li>Ⓗ Steel base plate with an aluminium-zinc coating</li> </ul> |
|--|--|

### Benefits

- High-performance flat-plate collectors for above roof and flat roof installation. Vitosol-FM version with ThermProtect temperature shutdown for a steam-free and fail-safe solar thermal system
- Absorber designed with meander layout with integral headers. Up to 12 collectors can be linked in parallel.
- Aluminium frame design
- High efficiency due to absorber with selective coating; stable, highly transparent cover made from special glass and highly effective thermal insulation
- Long-lasting impermeability and high stability thanks to all-round folded aluminium frame and seamless pane seal.
- Puncture-proof and corrosion-resistant back panel made from zinc-plated sheet steel
- Easy to assemble Viessmann fixing system with statically tested and corrosion-resistant components made from stainless steel and aluminium – standard for all Viessmann collectors
- Quick and reliable collector connection through flexible corrugated stainless steel pipe push-fit connectors



### Factory setting

The Vitosol 100-FM/-F are delivered fully assembled ready to connect.

## 2.2 Specification

The collectors are available with 2 different absorber coatings. Type SV1B/SH1B has a special absorber coating that allows these collectors to be used in coastal regions.

**Note**

Viessmann accepts no liability if Vitosol 100-FM, type SV1F/SH1F is used in these regions.

Distance to the coast:

- Up to 100 m:  
Only use type SV1B/SH1B
- 100 to 1000 m:  
Type SV1B/SH1B is recommended

**Specification**

Type		SV1F	SH1F	SV1B	SH1B
<b>Gross area</b> (required when applying for subsidies)	m <sup>2</sup>	2.51	2.51	2.51	2.51
<b>Absorber area</b>	m <sup>2</sup>	2.31	2.31	2.32	2.32
<b>Aperture area</b>	m <sup>2</sup>	2.33	2.33	2.33	2.33
<b>Spacing between collectors</b>	mm	21	21	21	21
<b>Dimensions</b>					
Width	mm	1056	2380	1056	2380
Height	mm	2380	1056	2380	1056
Depth	mm	73	73	72	72
<b>Collector operating range output values</b>					
<b>Optical efficiency</b>					
– Absorber area	%	81.3	81.4		
– Gross area		74.9	74.9		
<b>Heat loss factor k<sub>1</sub></b>					
– Absorber area	W/(m <sup>2</sup> · K)	3.849	4.157		
– Gross area		3.542	3.826		
<b>Heat loss factor k<sub>2</sub></b>					
– Absorber area	W/(m <sup>2</sup> · K <sup>2</sup> )	0.045	0.036		
– Gross area		0.042	0.003		
<b>Theoretical output values across entire temperature range</b>					
<b>Optical efficiency</b>					
– Absorber area	%	82.1	81.7	75.4	75.4
– Gross area		75.5	75.2	69.2	69.2
<b>Heat loss factor k<sub>1</sub></b>					
– Absorber area	W/(m <sup>2</sup> · K)	4.854	4.640	4.15	4.15
– Gross area		4.468	4.270	3.81	3.81
<b>Heat loss factor k<sub>2</sub></b>					
– Absorber area	W/(m <sup>2</sup> · K <sup>2</sup> )	0.023	0.026	0.0114	0.0114
– Gross area		0.021	0.024	0.010	0.010
<b>Thermal capacity</b>	kJ/(m <sup>2</sup> · K)	4.7	4.7	4.5	4.5
<b>Weight</b>	kg	39	41	43.9	43.9
<b>Liquid content (heat transfer medium)</b>	Litre	1.83	2.4	1.67	2.33
<b>Permiss. operating pressure</b>					
With installation of an 8 bar safety valve (accessory)	bar/MPa	6/0.6	6/0.6	6/0.6	6/0.6
	bar/MPa	8/0.8	8/0.8	8/0.8	8/0.8
<b>Max. stagnation temperature</b>	°C	145	145	196	196
<b>Steam-producing power</b>					
– Favourable installation position	W/m <sup>2</sup>	0 <sup>*1</sup>	0 <sup>*1</sup>	60	60
– Unfavourable installation position	W/m <sup>2</sup>	0 <sup>*1</sup>	0 <sup>*1</sup>	100	100
<b>Connection</b>	Ø mm	22	22	22	22

**Specification for determining the energy efficiency class (ErP label)**

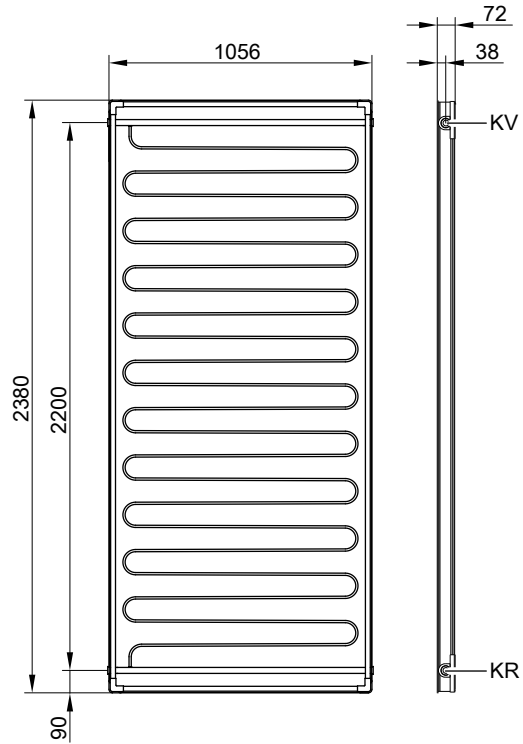
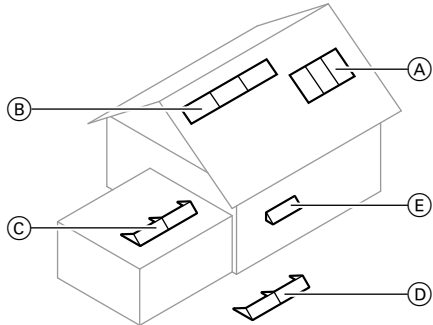
Type		SV1F	SH1F	SV1B	SH1B
<b>Aperture area</b>	m <sup>2</sup>	2.33	2.33	2.33	2.33
The following values apply to the aperture area:					
– <b>Collector efficiency</b> $\eta_{col}$ , at a temperature differential of 40 K		59	59	57.0	57.0
– <b>Optical efficiency in the collector</b>	%	81	81	75.4	75.4
– <b>Heat loss factor k<sub>1</sub></b>	W/(m <sup>2</sup> · K)	4.81	4.6	4.14	4.14
– <b>Heat loss factor k<sub>2</sub></b>	W/(m <sup>2</sup> · K <sup>2</sup> )	0.022	0.025	0.0114	0.0114
<b>Incidence angle modifier IAM</b>		0.89	0.89	0.89	0.89

\*1 Provided manufacturer's specifications for the filling pressure of the solar thermal system are adhered to.



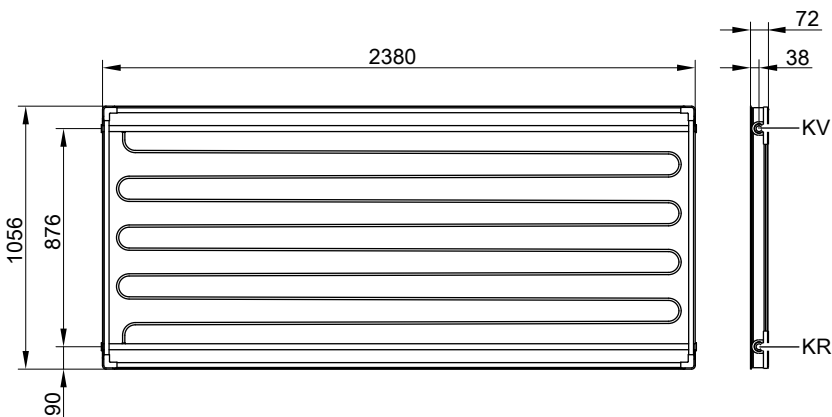
## Vitosol 100-FM, type SV1F/SH1F and Vitosol 100-F, type SV1B/SH1B (cont.)

Type	SV1F	SH1F	SV1B	SH1B
Installation position (see following diagram)	(A), (C), (D)	(B), (C), (D), (E)	(A), (C), (D)	(B), (C), (D), (E)



Type SV1F/SV1B

KR Collector return (inlet)  
KV Collector flow (outlet)



Type SH1F/SH1B


KR Collector return (inlet)  
KV Collector flow (outlet)

### 2.3 Tested quality

These collectors meet the requirements of the "Blue Angel" eco-label to RAL UZ 73.

Tested in accordance with Solar KEYMARK to EN 12975 or ISO 9806.

**Vitosol 100-FM, type SV1F/SH1F and Vitosol 100-F, type SV1B/SH1B (cont.)**

 CE designation according to current EC Directives

### 3.1 Product description

The main component of the Vitosol 200-FM and Vitosol 200-F collectors is the absorber with its highly selective coating. It ensures high absorption of insolation. A meander-shaped copper pipe through which the heat transfer medium flows is fitted to the absorber.

The heat transfer medium absorbs the absorber heat through the copper pipe. The absorber is encased in a highly insulated collector housing that minimises the heat losses of the collector.

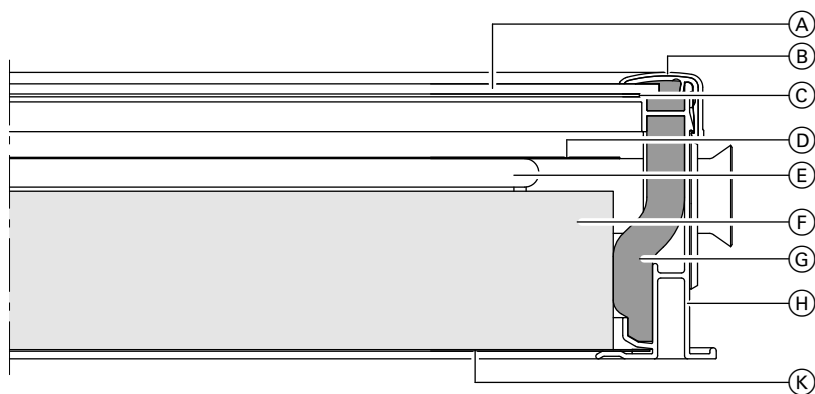
The high grade thermal insulation provides temperature stability and is non-outgassing. The collector is covered with a solar glass panel. The glass has a very low iron content which reduces reflection losses.

Up to 12 collectors can be combined to create a single collector array. For this purpose, the standard delivery includes flexible connection pipes with O-rings.

A connection set with locking ring fittings enables the collector array to be readily connected to the solar circuit pipework. The collector temperature sensor is mounted in a sensor well set, located in the solar circuit flow.

The collector is available in 2 versions

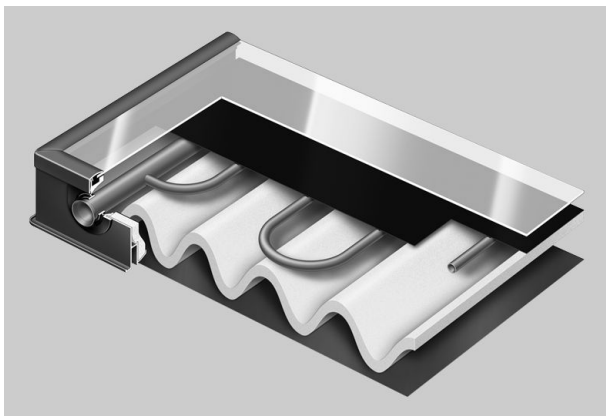
- Vitosol 200-FM, type SV2F/SH2F with ThermProtect switching absorber coating
- The Vitosol 200-F, type SV2D with a special absorber coating is designed for coastal regions (see chapter "Specification").



- |  |   |
|--|---|
| <ul style="list-style-type: none"> <li>(A) Solar glass cover, 3.2 mm</li> <li>(B) Aluminium cover strip in dark blue</li> <li>(C) Pane seal</li> <li>(D) Absorber</li> </ul> | <ul style="list-style-type: none"> <li>(E) Meander-shaped copper pipe</li> <li>(F) Melamine resin foam insulation</li> <li>(G) Melamine resin foam insulation</li> <li>(H) Aluminium frame in dark blue</li> <li>(K) Steel base plate with an aluminium-zinc coating</li> </ul> |
|--|---|

### Benefits

- High-performance flat-plate collectors for above roof and flat roof installation. Vitosol-FM version with ThermProtect temperature shutdown for a steam-free and fail-safe solar thermal system
- Absorber designed with meander layout with integral headers. Up to 12 collectors can be linked in parallel.
- Attractive collector design; frame in dark blue. Upon request, the frame is also available in all other RAL colours.
- High efficiency due to absorber with selective coating; stable, highly transparent cover made from special glass and highly effective thermal insulation
- Long-lasting impermeability and high stability thanks to all-round folded aluminium frame and seamless pane seal.
- Puncture-proof and corrosion-resistant back panel made from zinc-plated sheet steel
- Easy to assemble Viessmann fixing system with statically tested and corrosion-resistant components made from stainless steel and aluminium – standard for all Viessmann collectors
- Quick and reliable collector connection through flexible corrugated stainless steel pipe push-fit connectors



## Vitosol 200-FM, type SV2F/SH2F and Vitosol 200-F, type SV2D (cont.)

### Factory setting

The Vitosol 200-FM/-F is delivered fully assembled ready to connect.

Viessmann offers complete solar thermal systems with Vitosol 200-FM/-F (packs) for DHW heating and/or central heating backup (see pack pricelist).

### 3.2 Specification

The collectors are available with 2 different absorber coatings. Type SV2D has a special absorber coating that allows these collectors to be used in coastal regions.

**Note**

Viessmann accepts no liability if Vitosol 200-FM, type SV2F/SH2F are used in these regions.

Distance to the coast:

- Up to 100 m:  
Only use type SV2D
- 100 to 1000 m:  
Type SV2D is recommended

**Specification**

Type		SV2F	SH2F	SV2D
<b>Gross area</b> (required when applying for subsidies)	m <sup>2</sup>	2.51	2.51	2.51
<b>Absorber area</b>	m <sup>2</sup>	2.31	2.31	2.32
<b>Aperture area</b>	m <sup>2</sup>	2.33	2.33	2.33
<b>Spacing between collectors</b>	mm	21	21	21
<b>Dimensions</b>				
Width	mm	1056	2380	1056
Height	mm	2380	1056	2380
Depth	mm	90	90	90
<b>Collector operating range output values</b>				
<b>Optical efficiency</b>				
– Absorber area	%	82.3	82.6	
– Gross area		75.7	76.0	
<b>Heat loss factor k<sub>1</sub></b>				
– Absorber area	W/(m <sup>2</sup> · K)	4.421	4.380	
– Gross area		4.069	4.031	
<b>Heat loss factor k<sub>2</sub></b>				
– Absorber area	W/(m <sup>2</sup> · K <sup>2</sup> )	0.022	0.037	
– Gross area		0.020	0.034	
<b>Theoretical output values across entire temperature range</b>				
<b>Optical efficiency</b>				
– Absorber area	%	82.7	82.9	82.0
– Gross area		76.1	76.3	75.7
<b>Heat loss factor k<sub>1</sub></b>				
– Absorber area	W/(m <sup>2</sup> · K)	4.791	4.907	3.553
– Gross area		4.410	4.516	3.280
<b>Heat loss factor k<sub>2</sub></b>				
– Absorber area	W/(m <sup>2</sup> · K <sup>2</sup> )	0.025	0.029	0.023
– Gross area		0.023	0.026	0.021
<b>Thermal capacity</b>	kJ/(m <sup>2</sup> · K)	4.89	5.96	5.47
<b>Weight</b>	kg	39	40	41
<b>Liquid content (heat transfer medium)</b>	Litre	1.83	2.4	1.83
<b>Permiss. operating pressure</b>				
With installation of an 8 bar safety valve (accessory)	bar/MPa	6/0.6	6/0.6	6/0.6
	bar/MPa	8/0.8	8/0.8	8/0.8
<b>Max. stagnation temperature in the collector</b>	°C	145	145	205
<b>Steam-producing power</b>				
– Favourable installation position	W/m <sup>2</sup>	0*1	0*1	60
– Unfavourable installation position	W/m <sup>2</sup>	0*1	0*1	100
<b>Connection</b>	Ø mm	22	22	22

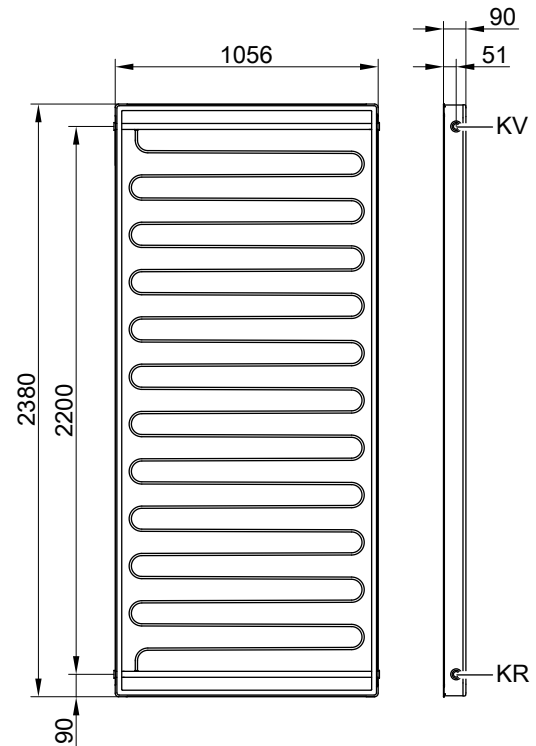
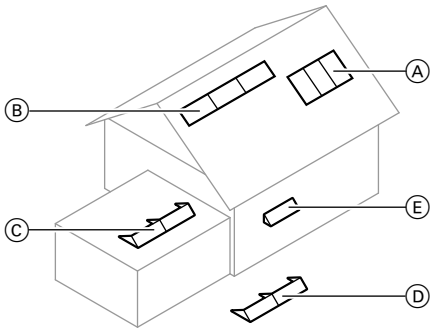
**Specification for determining the energy efficiency class (ErP label)**

Type		SV2F	SH2F	SV2D
<b>Aperture area</b>	m <sup>2</sup>	2.33	2.33	2.33
The following values apply to the aperture area:				
– <b>Collector efficiency</b> $\eta_{col}$ , at a temperature differential of 40 K	%	59	58	63.9
– <b>Optical efficiency</b>	%	82	82	81.7
– <b>Heat loss factor k<sub>1</sub></b>	W/(m <sup>2</sup> · K)	4.75	4.86	3.538
– <b>Heat loss factor k<sub>2</sub></b>	W/(m <sup>2</sup> · K <sup>2</sup> )	0.024	0.028	0.023
<b>Incidence angle modifier IAM</b>		0.89	0.89	0.91

\*1 Provided manufacturer's specifications for the filling pressure of the solar thermal system are adhered to.

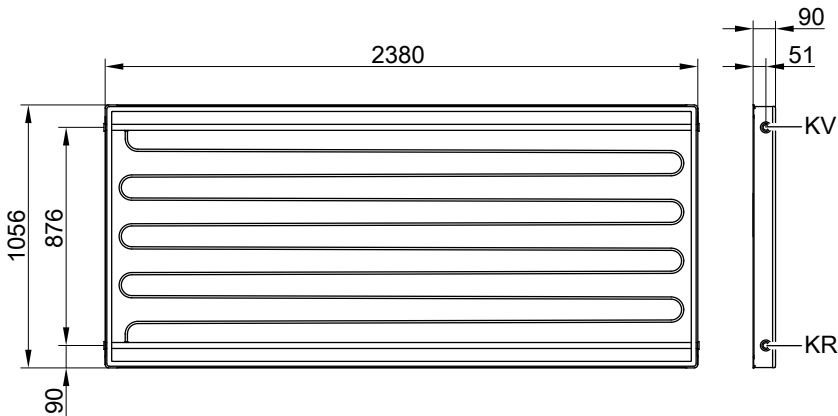
## Vitosol 200-FM, type SV2F/SH2F and Vitosol 200-F, type SV2D (cont.)

Type	SV2F	SH2F	SV2D
Installation position (see following diagram)	(A, C, D)	(B, C, D, E)	(A, C, D)



Type SV2F/SV2D

KR Collector return (inlet)  
KV Collector flow (outlet)




Type SH2F

KR Collector return (inlet)  
KV Collector flow (outlet)

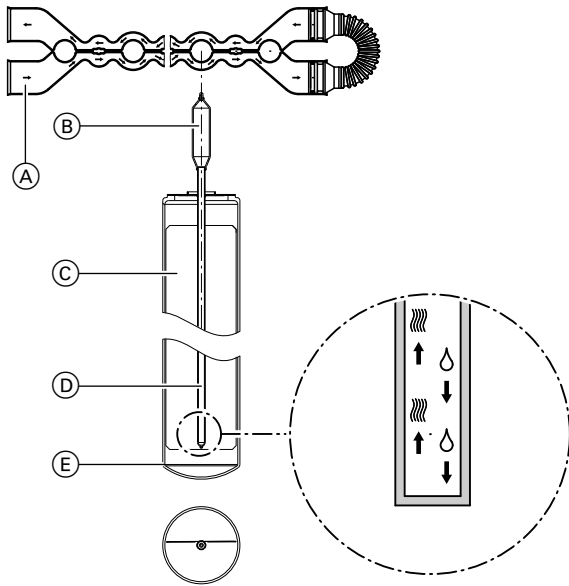
### 3.3 Tested quality

These collectors meet the requirements of the "Blue Angel" eco-label to RAL UZ 73.

Tested in accordance with Solar KEYMARK to EN 12975 or ISO 9806.

 CE designation according to current EC Directives

## 4.1 Product description



- (A) Copper double pipe heat exchanger
- (B) Condenser
- (C) Absorber
- (D) Heat pipe
- (E) Evacuated glass tube

The Vitosol 300-TM vacuum tube collector, type SP3C, is available in the following versions:

- 1.26 m<sup>2</sup> with 10 vacuum tubes
- 1.51 m<sup>2</sup> with 12 vacuum tubes
- 3.03 m<sup>2</sup> with 24 vacuum tubes

### Benefits

- Highly efficient vacuum tube collector based on the heat pipe principle, with ThermProtect automatic temperature-dependent shut-down for high operational reliability
- Universal application through vertical or horizontal installation in any location, either on rooftops or walls, or for freestanding installation
- Narrow balcony module (1.26 m<sup>2</sup> absorber area) for installation on balcony railings or walls
- The absorber surface with highly selective coating integrated into the vacuum tubes is not susceptible to contamination
- Efficient heat transfer through fully encapsulated condensers and Duotec copper double pipe heat exchanger
- Vacuum tubes can be rotated for optimum alignment with the sun, thereby maximising the energy utilisation
- Dry connection, meaning vacuum tubes can be inserted or changed while the system is full
- Highly effective thermal insulation for minimised heat losses from the header casing
- Easy installation through the Viessmann assembly and connection systems



The Vitosol 300-TM, type SP3C, can be installed on pitched roofs, flat roofs, on walls, or as a freestanding collector.

On pitched roofs the collectors may be positioned in line (vacuum tubes at right angles to the roof ridge) or across (vacuum tubes parallel to the roof ridge).

An absorber with highly selective coating is incorporated inside each vacuum tube. The absorber ensures high absorption of insolation and low emissions of thermal radiation.

A heat pipe filled with an evaporation liquid is fitted to the absorber. The heat pipe is connected to the condenser. The condenser is fitted inside a Duotec copper double pipe heat exchanger.

This involves a so-called "dry connection", i.e. the vacuum tubes can be rotated or replaced even when the installation is filled and under pressure.

The heat is transferred from the absorber to the heat pipe. This causes the liquid to evaporate. The steam rises into the condenser. The heat is transferred to the passing heat transfer medium by the double pipe heat exchanger containing the condenser. This causes the steam to condense. The condensate returns back down into the heat pipe and the process repeats.

The inclination angle to horizontal must be greater than zero to guarantee circulation of the evaporator liquid in the heat exchanger.

The vacuum tubes can be rotated to precisely align the absorber with the sun. The vacuum tubes can be rotated through 25° without casting shade on the absorber surface.

Up to 15 m<sup>2</sup> absorber area can be connected to form one collector array. For this purpose, the standard delivery includes flexible connection pipes with O-rings. The connection pipes are clad with a thermally insulated covering.

A connection set with locking ring fittings enables the collector array to be readily connected to the solar circuit pipework. The collector temperature sensor is installed in a sensor retainer on the flow pipe in the header casing of the collector.

The collectors can also be used in coastal regions.



## Vitosol 300-TM, type SP3C (cont.)

### Delivered condition

Packed in separate boxes:

1.26 m <sup>2</sup>	10 vacuum tubes per packing unit Header casing with mounting rails
1.51 m <sup>2</sup> /3.03 m <sup>2</sup>	12 vacuum tubes per packing unit Header casing with mounting rails

Viessmann offers complete solar thermal systems with Vitosol 300-TM (packs) for DHW heating and/or central heating backup (see pack pricelist).

## 4.2 Specification

### Specification

Type SP3C		1.25 m <sup>2</sup>	1.51 m <sup>2</sup>	3.03 m <sup>2</sup>
<b>Number of tubes</b>		10	12	24
<b>Gross area</b>	m <sup>2</sup>	1.98	2.36	4.62
(required when applying for subsidies)				
<b>Absorber area</b>	m <sup>2</sup>	1.26	1.51	3.03
<b>Aperture area</b>	m <sup>2</sup>	1.33	1.60	3.19
<b>Clearance between collectors</b>	mm	—	88.5	88.5
<b>Dimensions</b>				
Width a	mm	885	1053	2061
Height b	mm	2241	2241	2241
Depth c	mm	150	150	150
The following values apply to the absorber area:				
– <b>Optical efficiency</b>	%	79.2	79.7	78.2
– <b>Heat loss factor k<sub>1</sub></b>	W/(m <sup>2</sup> · K)	1.512	2.02	1.761
– <b>Heat loss factor k<sub>2</sub></b>	W/(m <sup>2</sup> · K <sup>2</sup> )	0.027	0.006	0.008
The following values apply to the aperture area:				
– <b>Optical efficiency</b>	%	75	75.2	74
– <b>Heat loss factor k<sub>1</sub></b>	W/(m <sup>2</sup> · K)	1.432	1.906	1.668
– <b>Heat loss factor k<sub>2</sub></b>	W/(m <sup>2</sup> · K <sup>2</sup> )	0.025	0.006	0.007
The following values apply to the gross area:				
– <b>Optical efficiency</b>	%	50.4	51	51.4
– <b>Heat loss factor k<sub>1</sub></b>	W/(m <sup>2</sup> · K)	0.932	1.292	1.158
– <b>Heat loss factor k<sub>2</sub></b>	W/(m <sup>2</sup> · K <sup>2</sup> )	0.017	0.004	0.005
<b>Thermal capacity</b>	kJ/(m <sup>2</sup> · K)	6.08	5.97	5.73
<b>Weight</b>	kg	33	39	79
<b>Liquid content</b> (heat transfer medium)	litres	0.75	0.87	1.55
<b>Permiss. operating pressure</b>	bar/MPa	6/0.6	6/0.6	6/0.6
With installation of an 8 bar safety valve (accessories)	bar/MPa	8/0.8	8/0.8	8/0.8
<b>Max. stagnation temperature</b>	°C	150	150	150
<b>Steam-producing power</b>	W/m <sup>2</sup>	0	0	0
<b>Connection</b>	Ø mm	22	22	22

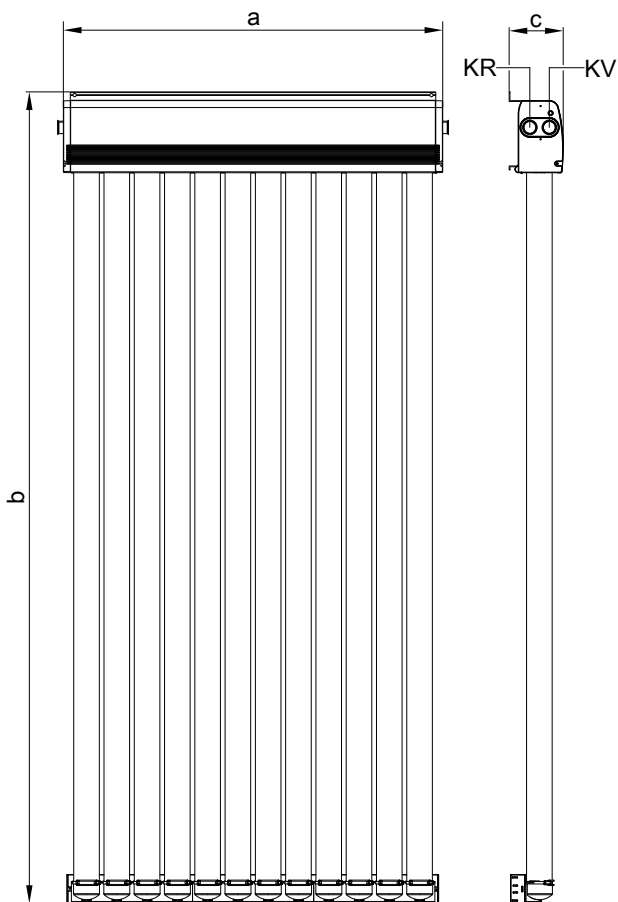
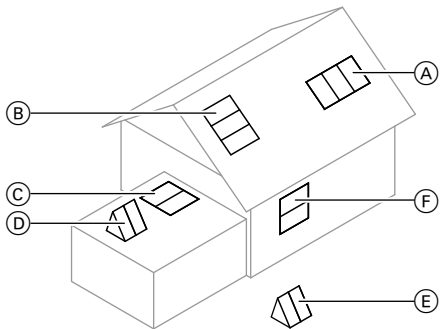
### Specification for determining the energy efficiency class (ErP label)

Type SP3C		1.26 m <sup>2</sup>	1.51 m <sup>2</sup>	3.03 m <sup>2</sup>
<b>Aperture area</b>	m <sup>2</sup>	1.33	1.6	3.19
The following values apply to the aperture area:				
– <b>Collector efficiency</b> $\eta_{col}$ , at a temperature differential of 40 K	%	68	69	69
<b>Optical efficiency</b>	%	74	76	76
– <b>Heat loss factor k<sub>1</sub></b>	W/(m <sup>2</sup> · K)	1.3	1.3	1.3
– <b>Heat loss factor k<sub>2</sub></b>	W/(m <sup>2</sup> · K <sup>2</sup> )	0.007	0.007	0.007
<b>Incidence angle modifier IAM</b>		0.98	0.98	0.98

## Vitosol 300-TM, type SP3C (cont.)

Installation position (see following diagram)

Ⓐ, Ⓑ, Ⓒ, Ⓓ, Ⓔ, Ⓕ




KR Collector return (inlet)  
KV Collector flow (outlet)

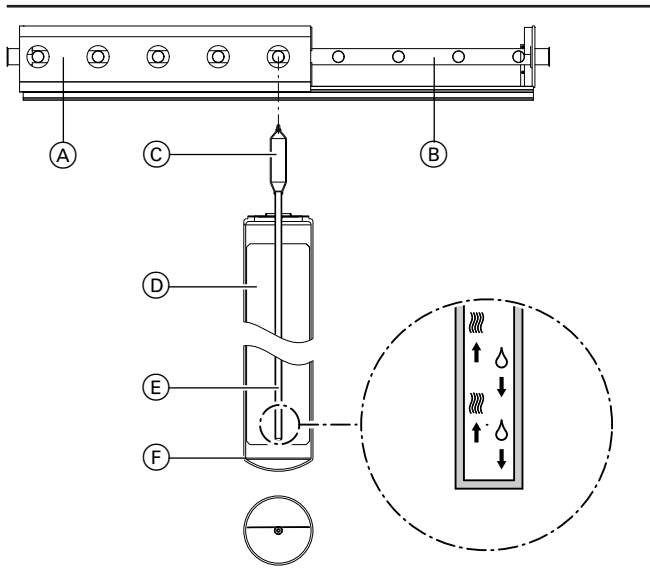
### 4.3 Tested quality

These collectors meet the requirements of the "Blue Angel" eco-label to RAL UZ 73.

Tested in accordance with Solar KEYMARK to EN 12975 or ISO 9806.

 CE designation according to current EC Directives

## 5.1 Product description



- (A) Aluminium casing
- (B) Heat exchanger
- (C) Condenser
- (D) Absorber
- (E) Heat pipe
- (F) Evacuated glass tube

The Vitosol 200-TM vacuum tube collector, type SPEA, is available in the following versions:

- 1.63 m<sup>2</sup> with 9 vacuum tubes
- 3.26 m<sup>2</sup> with 18 vacuum tubes

### Benefits

- Highly efficient vacuum tube collector based on the heat pipe principle, with ThermProtect automatic temperature-dependent shut-down for high operational reliability
- The absorber surface with highly selective coating integrated into the vacuum tubes is not susceptible to contamination
- Efficient heat transfer through fully encapsulated condensers and heat exchanger
- Vacuum tubes can be rotated for optimum alignment with the sun, thereby maximising the energy utilisation
- Dry connection, meaning tubes can be inserted or changed while the system is full
- Highly effective thermal insulation for minimised heat losses from the header casing
- Easy installation through the Viessmann assembly and connection systems

The Vitosol 200-TM, type SPEA, can be installed on pitched roofs, flat roofs, or as a freestanding collector.

On pitched roofs the collectors may be positioned in line (vacuum tubes at right angles to the roof ridge) or across (vacuum tubes parallel to the roof ridge).

A metal absorber with highly selective coating is incorporated inside each vacuum tube. The metal absorber ensures high absorption of insolation and low emissions of thermal radiation.

A heat pipe filled with an evaporation liquid is fitted to the absorber. The heat pipe is connected to the condenser. The condenser is fitted inside a copper sensor well heat exchanger.

This involves a so-called "dry connection", i.e. the vacuum tubes can be replaced even when the system is filled and under pressure.

The heat is transferred from the absorber to the heat pipe. This causes the liquid to evaporate. The steam rises into the condenser. Heat is transferred by the heat exchanger with its copper manifold, which contains the condenser, to the heat transfer medium as it flows past.

This causes the steam to condense. The condensate returns back down into the heat pipe and the process repeats.

The angle of inclination must be greater than zero to guarantee circulation of the evaporator liquid in the heat exchanger.

The vacuum tubes can be rotated to precisely align the absorber with the sun. The vacuum tubes can be rotated through 45° with reduced shade on the absorber surface.

Up to 20 m<sup>2</sup> absorber area can be connected to form one collector array. For this purpose, the standard delivery includes flexible connection pipes with O-rings.

A connection set with locking ring fittings enables the collector array to be readily connected to the solar circuit pipework. The connection set is available with or without sensor well. The collector temperature sensor is fitted in the connection set sensor well.

The collectors can also be used in coastal regions.



### Delivered condition

Packed in separate boxes:

- 9 vacuum tubes per packing unit
- Header casing with mounting rails

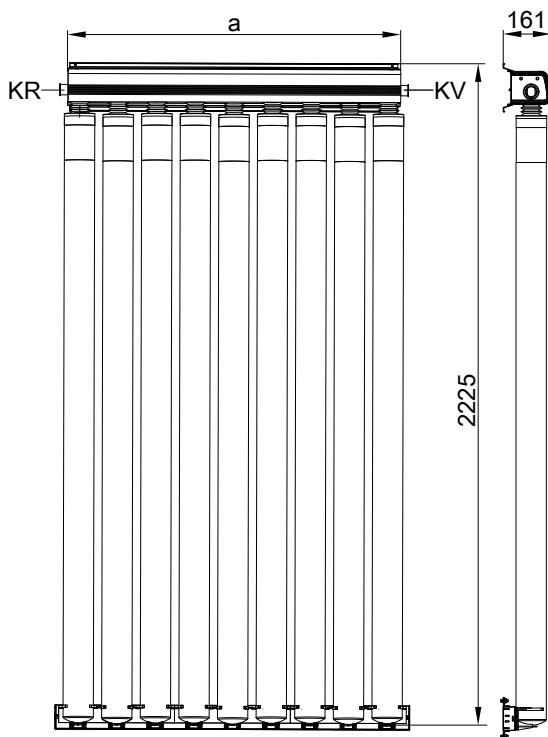
## 5.2 Specification

### Specification

Type SPEA		1.63 m <sup>2</sup>	3.26 m <sup>2</sup>
<b>Number of tubes</b>		9	18
<b>Gross area</b> (required when applying for subsidies)	m <sup>2</sup>	2.67	5.3
<b>Absorber area</b>	m <sup>2</sup>	1.63	3.26
<b>Aperture area</b>	m <sup>2</sup>	1.73	3.46
<b>Clearance between collectors</b>	mm	44	44
<b>Dimensions</b>			
Width	mm	1194	2364
Height	mm	2244	2244
Depth	mm	160	160
The following values apply to the absorber area:			
– <b>Optical efficiency</b>	%	78.5	76.7
– <b>Heat loss factor k<sub>1</sub></b>	W/(m <sup>2</sup> · K)	1.847	1.649
– <b>Heat loss factor k<sub>2</sub></b>	W/(m <sup>2</sup> · K <sup>2</sup> )	0.005	0.006
The following values apply to the aperture area:			
– <b>Optical efficiency</b>	%	73.9	72.3
– <b>Heat loss factor k<sub>1</sub></b>	W/(m <sup>2</sup> · K)	1.74	1.554
– <b>Heat loss factor k<sub>2</sub></b>	W/(m <sup>2</sup> · K <sup>2</sup> )	0.004	0.006
The following values apply to the gross area:			
– <b>Optical efficiency</b>	%	47.9	47.2
– <b>Heat loss factor k<sub>1</sub></b>	W/(m <sup>2</sup> · K)	1.127	1.014
– <b>Heat loss factor k<sub>2</sub></b>	W/(m <sup>2</sup> · K <sup>2</sup> )	0.003	0.004
<b>Thermal capacity</b>	kJ/(m <sup>2</sup> · K)	3.23	3.28
<b>Weight</b>	kg	64	129
<b>Liquid content</b> (heat transfer medium)	litres	0.86	1.72
<b>Permiss. operating pressure</b>	bar/MPa	6/0.6	6/0.6
With installation of an 8 bar safety valve (accessories)	bar/MPa	8/0.8	8/0.8
<b>Max. stagnation temperature</b>	°C	175	175
<b>Steam-producing power</b>	W/m <sup>2</sup>	60	60
<b>Connection</b>	Ø mm	22	22

### Specification for determining the energy efficiency class (ErP label)

Type SPEA		1.63 m <sup>2</sup>	3.26 m <sup>2</sup>
<b>Aperture area</b>	m <sup>2</sup>	1.73	3.46
The following values apply to the aperture area:			
– <b>Collector efficiency</b> $\eta_{col}$ , at a temperature differential of 40 K	%	65	65
– <b>Optical efficiency</b>	%	71	71
– <b>Heat loss factor k<sub>1</sub></b>	W/(m <sup>2</sup> · K)	1.2	1.2
– <b>Heat loss factor k<sub>2</sub></b>	W/(m <sup>2</sup> · K <sup>2</sup> )	0.006	0.006
<b>Incidence angle modifier IAM</b>		0.88	0.88



KR Collector return (inlet)  
KV Collector flow (outlet)


**Note**

Use different fixing kits according to snow load. See pricelist.

### 5.3 Tested quality

These collectors meet the requirements of the "Blue Angel" eco-label to RAL UZ 73.

Tested in accordance with Solar KEYMARK to EN 12975 or ISO 9806.

 CE designation according to current EC Directives

## Solar control units

Solar control module, type SM1	Vitosolic 100	Vitosolic 200
<p>Function extension in enclosure for wall mounting</p> <ul style="list-style-type: none"> <li>– Electronic temperature differential control for dual mode DHW heating and central heating backup from solar collectors in conjunction with a boiler</li> <li>– Control and display via the boiler control unit</li> </ul>	<p>Electronic temperature differential controller for systems with dual mode DHW heating with solar collectors and boilers</p>	<p>Electronic temperature differential controller for up to 4 consumers for the following systems with solar collectors and boilers:</p> <ul style="list-style-type: none"> <li>– Dual mode DHW heating with dual mode DHW cylinders or several DHW cylinders.</li> <li>– Dual mode DHW and swimming pool heating</li> <li>– Dual mode DHW heating and central heating backup</li> <li>– Large solar thermal systems</li> </ul>

## 6.1 Solar control module, type SM1, part no. Z014470

### Specification

#### Functions

- Output statement and diagnostic system
- Operation and display via the Vitotronic control unit.
- Switching the solar circuit pump
- Heating of 2 consumers via a collector array
- 2nd temperature differential control
- Thermostat function for reheating or utilising excess heat
- Speed control for solar circuit pump via PWM input (make: Grundfos and Wilo)
- Suppression of DHW cylinder reheating by the heat generator subject to solar yield
- Heat-up of the solar preheating stage (with 400 l DHW cylinders or larger)
- Collector safety shutdown
- Electronic temperature limitation in the DHW cylinder
- Switching of an additional pump or valve via relay

To implement the following functions, also order immersion temperature sensor, part no. 7438702:

- For DHW circulation diversion in systems with 2 DHW cylinders
- For return changeover between the heat generator and the heating water buffer cylinder
- For return changeover between the heat generator and the primary heat store
- For heating additional consumers

#### Structure

The solar control module contains:

- PCB
- Terminals:
  - 4 sensors
  - Solar circuit pump
  - KM BUS
  - Power supply (on-site ON/OFF switch)
- PWM output for switching the solar circuit pump
- 1 relay for switching one pump or one valve

#### Collector temperature sensor

For connection inside the appliance

On-site extension of the connecting lead:

- 2-core lead, length up to 60 m with a cross-section of 1.5 mm<sup>2</sup> (copper)
- Never route this lead immediately next to 230/400 V cables.

#### Collector temperature sensor specification

Lead length	2.5 m
IP rating	IP 32 to EN 60529; ensure through design/installation.
Sensor type	Viessmann NTC 20 kΩ at 25 °C
Permissible ambient temperature	
– Operation	–20 to +200 °C
– Storage and transport	–20 to +70 °C

#### Cylinder temperature sensor

For connection inside the appliance

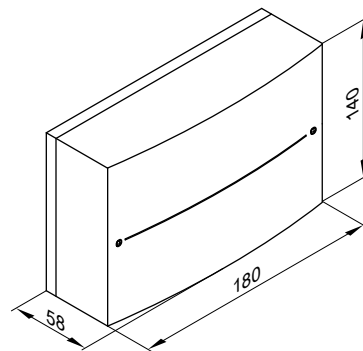
On-site extension of the connecting lead:

- 2-core lead, length up to 60 m with a cross-section of 1.5 mm<sup>2</sup> (copper)
- Never route this cable immediately next to 230/400 V cables.

#### Cylinder temperature sensor specification

Lead length	3.75 m
IP rating	IP 32 to EN 60529; ensure through design/installation.
Sensor type	Viessmann NTC 10 kΩ at 25 °C
Permissible ambient temperature	
– Operation	0 to +90 °C
– Storage and transport	–20 to +70 °C

For systems with Viessmann DHW cylinders, the cylinder temperature sensor is installed in the threaded elbow in the heating water return (standard delivery or accessory for the relevant DHW cylinder).



#### Solar control module specification

Rated voltage	230 V~
Rated frequency	50 Hz
Rated current	2 A
Power consumption	1.5 W
Protection class	I
IP rating	IP 20 to EN 60529; ensure through design/installation.
Function type	Type 1B to EN 60730-1
Permissible ambient temperature	
– Operation	0 to +40 °C, use in the living space or boiler room (standard ambient conditions)
– Storage and transport	–20 to +65 °C
Rated relay output breaking capacity	
– Semi-conductor relay 1	1 (1) A, 230 V~
– Relay 2	1 (1) A, 230 V~
– Total	Max. 2 A



## Solar control units (cont.)

### Delivered condition

- Solar control module, type SM1
- Cylinder temperature sensor
- Collector temperature sensor

### Tested quality

**CE** CE designation according to current EC Directives

## 6.2 Vitosolic 100, type SD1, part no. Z007387

### Specification

#### Design

The control unit comprises:

- PCB
- Digital display
- Selection keys
- Terminals:
  - Sensors
  - Solar circuit pump
  - KM BUS
  - Power supply (on-site ON/OFF switch)
- PWM output for actuating the solar circuit pump
- Relay for switching pumps and valves

The standard delivery includes collector temperature sensor and cylinder temperature sensor.

#### Collector temperature sensor

For connection inside the appliance

On-site extension of the connecting lead:

- 2-core lead, length up to 60 m with a cross-section of 1.5 mm<sup>2</sup> (copper)
- Never route this cable immediately next to 230/400 V cables.

#### Specification, collector temperature sensor

Lead length	2.5 m
IP rating	IP 32 to EN 60529, ensure through design/installation.
Sensor type	Viessmann NTC 20 kΩ at 25 °C
Permissible ambient temperature	
– Operation	–20 to +200 °C
– Storage and transport	–20 to +70 °C

#### Cylinder temperature sensor

For connection inside the appliance

On-site extension of the connecting lead:

- 2-core lead, length up to 60 m with a cross-section of 1.5 mm<sup>2</sup> (copper)
- Never route this cable immediately next to 230/400 V cables.

#### Cylinder temperature sensor specification

Lead length	3.75 m
IP rating	IP 32 to EN 60529, ensure through design/installation.
Sensor type	Viessmann NTC 10 kΩ at 25 °C
Permissible ambient temperature	
– Operation	0 to +90 °C
– Storage and transport	–20 to +70 °C

In systems with Viessmann DHW cylinders, the cylinder temperature sensor is installed directly into the threaded elbow in the heating water return: see chapter headed "Specification" for the relevant DHW cylinder, and chapter headed "Installation accessories".

#### Functions

- Switching the solar circuit pump for DHW heating and/or swimming pool water heating
- Limiting electronically the temperature in the DHW cylinder (safety shutdown at 90 °C)
- Collector safety shutdown

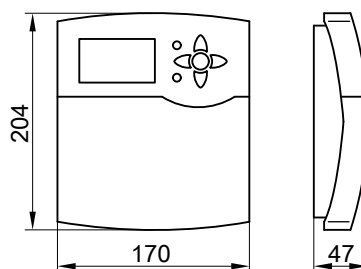
#### Information regarding auxiliary function for DHW heating and suppression of reheating by the boiler

Systems with Vitotronic control units with KM BUS offer optional suppression of reheating by the boiler **and** auxiliary functions for DHW heating.

Systems with other Viessmann control units offer only optional suppression of reheating by the boiler.

For further functions, see chapter headed "Functions".

#### Specification




Rated voltage	230 V~
Rated frequency	50 Hz
Rated current	4 A
Power consumption	2 W, in standby mode 0.7 W
Protection class	II
IP rating	IP 20 to EN 60529, ensure through design/installation.
Mode of operation	Type 1B to EN 60730-1
Permissible ambient temperature	
– Operation	0 to +40 °C Installation in the living space or boiler room (standard ambient conditions)
– Storage and transport	–20 to +65 °C
Rated relay output breaking capacity	
– Semi-conductor relay 1	0.8 A
– Relay 2	4(2) A, 230 V~
– Total	Max. 4 A

### Delivered condition

- Vitosolic 100, type SD1
- Cylinder temperature sensor
- Collector temperature sensor

### Tested quality

 CE designation according to current EC directives

## 6.3 Vitosolic 200, type SD4, part no. Z007388

### Specification

#### Design

The control unit comprises:

- PCB
- Digital display
- Selection keys
- Terminals:
  - Sensors
  - Solar cell
  - Pumps
  - Pulse counter input for connection of flow meters
  - KM BUS
  - Central fault message facility
  - VBus for large display
  - Power supply (on-site ON/OFF switch)
- PWM outputs for switching the solar circuit pumps
- Relays for switching the pumps and valves
- Available languages:
  - German
  - Bulgarian
  - Czech
  - Danish
  - English
  - Spanish
  - Estonian
  - French
  - Croatian
  - Italian
  - Latvian
  - Lithuanian
  - Hungarian
  - Dutch (Flemish)
  - Polish
  - Russian
  - Romanian
  - Slovenian
  - Finnish
  - Serbian
  - Swedish
  - Turkish
  - Slovak

Included in the standard delivery are the collector temperature sensor, cylinder temperature sensor and temperature sensor for swimming pool/heating water buffer cylinder.

#### Collector temperature sensor

For connection inside the appliance

On-site extension of the connecting lead:

- 2-core lead, length up to 60 m with a cross-section of 1.5 mm<sup>2</sup> (copper)
- Never route this cable immediately next to 230/400 V cables.

Lead length	2.5 m
IP rating	IP 32 to EN 60529, ensure through design/installation.
Sensor type	Viessmann NTC 20 kΩ at 25 °C
Permissible ambient temperature	
– Operation	–20 to +200 °C
– Storage and transport	–20 to +70 °C

#### Cylinder temperature sensor or temperature sensor for swimming pool/heating water buffer cylinder

For connection inside the appliance

On-site extension of the connecting lead:

- 2-core lead, length up to 60 m with a cross-section of 1.5 mm<sup>2</sup> (copper)
- Never route this cable immediately next to 230/400 V cables.

Lead length	3.75 m
IP rating	IP 32 to EN 60529, ensure through design/installation.
Sensor type	Viessmann NTC 10 kΩ at 25 °C
Permissible ambient temperature	
– Operation	0 to +90 °C
– Storage and transport	–20 to +70 °C

In systems with Viessmann DHW cylinders, the cylinder temperature sensor is fitted directly into the threaded elbow in the heating water return: see "Specification" chapter of the relevant DHW cylinder and "Installation accessories" chapter.

If the swimming pool temperature sensor is used to record the water temperature of the pool, the stainless steel sensor well available as an accessory can be installed directly in the swimming pool return line.

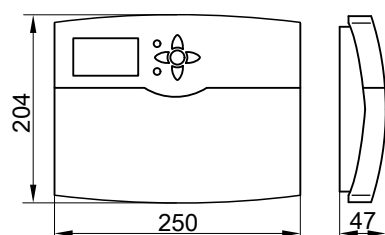
#### Functions

- Switching the solar circuit pumps for DHW and/or swimming pool water heating and other loads
- Electronic limiter for the temperature in the DHW cylinder (safety shutdown at 90 °C)
- Collector safety shutdown
- DHW **and** swimming pool water heating:
  - DHW heating can be set as a priority. While heating the pool water (the lower set temperature load), the circulation pump is switched off for the duration. It can thus be determined whether the DHW cylinder (the higher set temperature load) can be recharged. If the DHW cylinder is fully heated or the temperature of the heat transfer medium is insufficient for heating the DHW cylinder, the swimming pool water will continue to be heated.
- Using the heating water buffer cylinder to heat DHW **and** heating water:
  - The buffer cylinder water is heated by solar energy. The DHW water is heated by the buffer cylinder water. If the temperature in the heating water buffer cylinder exceeds the heating return temperature by the specified value, a 3-way valve is switched. The heating return water is fed via the heating water buffer cylinder to the boiler in order to raise the return temperature.

## Solar control units (cont.)

Further functions: See "Functions" chapter.

### Specification



Rated voltage	230 V~
Rated frequency	50 Hz
Rated current	6 A
Power consumption	6 W; 0.9 W in standby mode
Protection class	II
IP rating	IP 20 to EN 60529, ensure through design/installation.
Function	Type 1B to EN 60730-1

### Permissible ambient temperature

– Operation	0 to +40 °C when used in living space or boiler room (standard ambient conditions)
– Storage and transport	–20 to +65 °C

### Rated relay output breaking capacity

– Semi-conductor relay 1 to 6	0.8 A
– Relay 7	4(2) A, 230 V~
– Total	Max. 6 A

### Delivered condition

- Vitosolic 200, type SD4
- Collector temperature sensor
- 2 temperature sensors

### Tested quality

**CE** CE designation according to current EC Directives

### 6.4 Functions

#### Allocation to solar control units

Function	Solar control module	Vitosolic 100	Vitosolic 200
Energy cockpit	X	—	—
Cylinder temperature limit	X	X	X
Collector cooling function	—	X	X
Return cooling function	—	X	X
Collector emergency stop	X	X	X
Minimum collector temperature limit	X	X	X
Interval function	X	X	X
Cooling function	—	—	X
Frost protection function	X	X	X
Thermostat function	X	X	X
Speed regulation with wave packet control/PWM output control	X	X	X
Heat statement	X	X	X
Suppression of reheating by the boiler – DHW cylinder	X	X	X
– Central heating backup	X	—	X
Auxiliary function for DHW heating	X	X	X
External heat exchanger	X	X	X
Bypass function	—	—	X
Parallel relay	—	—	X
DHW cylinder 2 (to 4) ON	—	—	X
Cylinder heating	—	—	X
Cylinder priority control	—	—	X
Utilisation of excess heat	—	—	X
Cyclical heating	X	X	X
Fault notification via relay output	—	—	X
Relay kick	X	—	X
SD card	—	—	X

#### Energy cockpit

For graphic display of energy consumption, solar utilisation, temperature stratification and fault diagnosis in conjunction with Vitotronic 200, type HO2B. Visualisation of the operating state and solar yield via remote control, app and internet.

Function only possible with the following DHW cylinders and Vitotronic 200 control unit, type HO2B:

- Vitosolar 300-F (set of contact temperature sensors, pre-assembled and part of standard delivery)
- Vitocell 100-U/-W, type CVUC-A (set of contact temperature sensors, pre-assembled and part of standard delivery)
- Vitocell 100-B, type CVB / CVBB
- Vitocell 140/160-E
- Vitocell 340/360-M

Order the set of contact temperature sensors separately if it is not part of the standard delivery.

#### Cylinder temperature limit

The solar circuit pump will be switched OFF if the set cylinder temperature is exceeded.

#### Collector cooling function with Vitosolic 100 and 200

The solar circuit pump is switched off when the set cylinder temperature is reached. The solar circuit pump is switched on long enough to enable this temperature to fall by 5 K if the collector temperature rises to the selected maximum collector temperature. The cylinder temperature can then rise further, but only up to 95 °C.

#### Reverse cooling function with Vitosolic 100 and 200

This function is only sensible if the collector cooling function has been enabled. If the set cylinder temperature is reached, the solar circuit pump will be started to prevent the collector from overheating. In the evening, the pump will run for as long as required to cool the DHW cylinder down to the set cylinder temperature via the collector and the pipework.

#### Information regarding the collector cooling and reverse cooling functions

Ensure the intrinsic safety of the solar thermal system, even if the collector temperature continues to rise after the system has reached all limit temperatures, by accurately sizing the diaphragm expansion vessel. Where stagnation occurs or for collector temperatures that rise further, the solar circuit pump will be blocked or stopped (emergency collector shutdown) to avoid thermal overloading of the connected components.

#### Collector emergency stop

In order to protect the system components, the solar circuit pump is switched off if the adjustable collector limit temperature is exceeded. In the Vitosol-FM and 300-TM switching collectors, the collector temperature limit can be set to 145 °C. To do so, please comply with the manufacturer system pressure specification. This enables solar circuit pump operation even when the system is shut down.

Ensure the following

- The components in the solar circuit flow line must be designed for a temperature of 145 °C.
- The return line temperature can be a maximum of 120 °C.

#### Minimum collector temperature limit

If the actual temperature falls below the minimum collector temperature, the solar circuit pump is shut down.

### Interval function

Activate the interval function in systems where the collector temperature sensor is not in an ideal location to prevent a time delay in capturing the collector temperature.

### Cooling function in Vitosolic 200 (only in systems with one consumer)

Function for dispersing excess heat. When the set cylinder temperature and start temperature differential are reached, the solar circuit pump and relay R3 are switched on and then off when the actual temperature falls below that of the stop temperature differential.

### Frost protection

Viessmann collectors are filled with Viessmann heat transfer medium. This function does not have to be enabled.

Activate only when using water as heat transfer medium.

#### ■ Solar control module

With a collector temperature below +5 °C, the solar circuit pump will be started to avoid damage to the collectors. The pump will be stopped when a temperature of +7 °C has been reached.

#### ■ Vitosolic 100 and Vitosolic 200

With a collector temperature below +4 °C, the solar circuit pump will be started to avoid damage to the collectors. The pump will be stopped when a temperature of +5 °C has been reached.

### Thermostat function with solar control module and Vitosolic 100

The thermostat function can be used independent of the solar operation.

Different effects can be achieved by determining the thermostat start and stop temperatures:

- Start temperature < stop temperature:  
e.g. reheating
- Start temperature > stop temperature:  
e.g. utilisation of excess heat

Start temperature (40 °C) and stop temperature (45 °C) can be changed.

Start temperature setting range: 0 to 89.5 °C

Stop temperature setting range: 0.5 to 90 °C

### Vitosolic 200 thermostat function, $\Delta T$ control and time switches

If relays are not assigned standard functions, they can be used, for example, for function blocks 1 to 3. Within a function block, there are 4 functions that can be combined as required.

- 2 thermostat functions
- Differential temperature control
- Time switch with 3 periods that can be enabled

The functions within a function block are linked so that the conditions for all enabled functions must be met.

### Thermostat function

Different effects can be achieved by determining the thermostat start and stop temperatures:

- Start temperature < stop temperature:  
e.g. reheating
- Start temperature > stop temperature:  
e.g. utilisation of excess heat

Start temperature (40 °C) and stop temperature (45 °C) can be changed.

Setting range for the start and stop temperatures: -40 to 250 °C

### $\Delta T$ controls

The corresponding relay switches ON if the start temperature differential is exceeded and OFF if the stop temperature is not achieved.

### Time switch

The corresponding relay switches ON at the start-up time and OFF at the shutdown time. (3 time frames may be enabled).

### Speed control with solar control module

The speed control is disabled in the delivered condition. It can only be enabled for relay output R1.

Possible pumps:

- Standard solar pumps with and without their own speed control
- High efficiency pumps
- Pumps with PWM input (only use solar pumps), e.g. Grundfos pumps

### Note

*We recommend operating the solar circuit pump at max. output while the solar thermal system is being vented.*

### Vitosolic 100 speed control

The speed control is disabled in the delivered condition. It can only be enabled for relay output R1.

Possible pumps:

- Standard solar pumps with and without their own speed control
- High efficiency pumps
- Pumps with PWM input (only use solar pumps), e.g. Wilo or Grundfos pumps

### Note

*We recommend operating the solar circuit pump at max. output while the solar thermal system is being vented.*

### Vitosolic 200 speed control

The speed control is disabled in the delivered condition. It can only be enabled for relay outputs R1 to R4.

Possible pumps:

- Standard solar pumps with and without their own speed control
- High efficiency pumps
- Pumps with PWM input (only use solar pumps), e.g. Wilo or Grundfos pumps

### Note

*We recommend operating the solar circuit pump at max. output while the solar thermal system is being vented.*

### Heat statement with solar control module and Vitosolic 100

When determining thermal yields, the difference between the collector and cylinder temperature, the set throughput, the type of heat transfer medium and the operating time of the solar circuit pump are taken into account.

### Vitosolic 200 heat statement

The statement can be produced with or without the volumeter.

- Without volumeter  
through the temperature differential between the heat meter flow and the heat meter return temperature sensor and the selected throughput
- With volumeter (heat meter, accessory for the Vitosolic 200)  
through the temperature differential between the heat meter flow and the heat meter return temperature sensor and the throughput captured by the flow meter

Existing sensors can be used, without affecting their function in the relevant system scheme.

### Suppression of DHW cylinder reheating by the boiler with solar control module

DHW cylinder reheating by the boiler is suppressed in 2 stages. While the DHW cylinder is being heated by solar energy, the set cylinder temperature is reduced. After the solar circuit pump has been switched off, suppression remains active for a certain time.

## Solar control units (cont.)

If solar heating is uninterrupted (> 2 h), reheating by the boiler only occurs if the temperature falls below the 3rd set DHW temperature, as set at the boiler control unit (at coding address "67") (setting range 10 to 95 °C). This value must be **below** the first set DHW temperature.

If the solar thermal system is unable to maintain this set value, the DHW cylinder is heated by the boiler (solar circuit pump running).

### Suppression of DHW cylinder reheating by boiler with the Vitosolic 100

#### Systems with Vitotronic control units and KM BUS

Control units from the current Viessmann product range are equipped with the necessary software. When retrofitting an existing system, the boiler control unit may have to be equipped with a PCB (see Viessmann pricelist).

Reheating of the DHW cylinder by the boiler will be suppressed by the solar control unit if the DHW cylinder is being heated.

Coding address "67" in the boiler control unit defaults a third set DHW temperature (setting range 10 to 95 °C). This value must be **below** the first set DHW temperature.

If the solar thermal system is unable to maintain this set value, the DHW cylinder is heated by the boiler (solar circuit pump running).

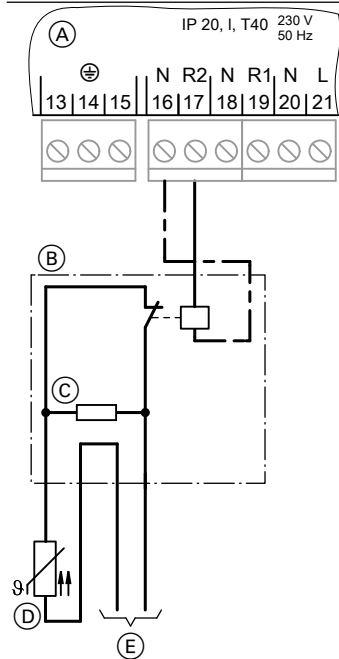
### Systems with additional Viessmann control units

Reheating of the DHW cylinder by the boiler will be suppressed by the solar control unit if the DHW cylinder is being heated. A resistor simulates an actual DHW temperature that is approx. 10 K higher.

If the solar thermal system is unable to maintain the set DHW temperature, the DHW cylinder is heated by the boiler (solar circuit pump running).

### Cylinder temperature sensor of the boiler control unit

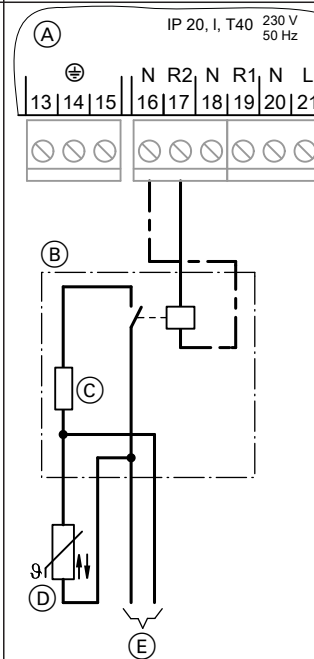
#### PTC



(C) Resistor 20 Ω, 0.25 W (on-site)

- (A) Solar control unit wiring chamber
- (B) Contactor relay, part no. 7814681
- (D) Cylinder temperature sensor of the boiler control unit
- (E) To the boiler control unit; connection for cylinder temperature sensor

#### NTC



(C) Resistor 10 kΩ, 0.25 W (on-site)

### Suppression of DHW cylinder reheating by boiler with the Vitosolic 200

#### Systems with Vitotronic control units and KM BUS

Control units from the current Viessmann product range are equipped with the necessary software. When retrofitting an existing system, the boiler control unit may have to be equipped with a PCB (see Viessmann pricelist).

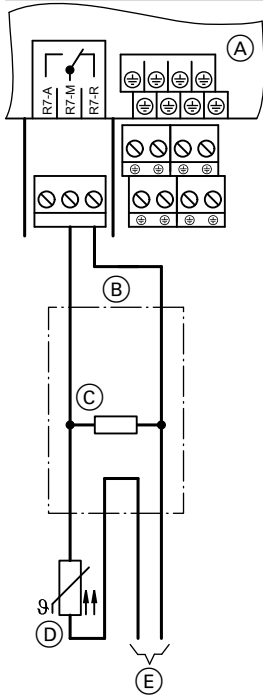
Reheating of the DHW cylinder by the boiler will be suppressed by the solar control unit if the DHW cylinder (consumer 1) is being heated.

In the boiler control unit, coding address "67" defaults a third set DHW temperature (setting range: 10 to 95 °C). This value must be **below** the first set DHW temperature. If the solar thermal system is unable to maintain this set value, the DHW cylinder is heated by the boiler.

### Systems with additional Viessmann control units

Reheating of the DHW cylinder by the boiler will be suppressed by the solar control unit if the DHW cylinder (consumer 1) is being heated. A resistor simulates an actual DHW temperature that is 10 K higher. The DHW cylinder is only heated by the boiler if the set DHW temperature cannot be maintained by the solar thermal system.

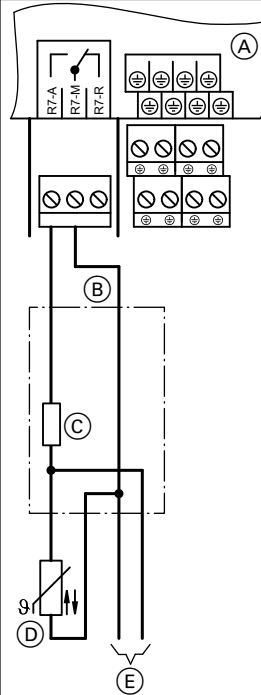
## Cylinder temperature sensor of the boiler control unit PTC



(C) Resistor 20  $\Omega$ , 0.25 W (on-site)

- (A) Solar control unit wiring chamber
- (B) Junction box (on site)
- (D) Cylinder temperature sensor of the boiler control unit
- (E) To the boiler control unit; connection for cylinder temperature sensor

## NTC



(C) Resistor 10 k $\Omega$ , 0.25 W (on-site)

### Suppression of reheating by the boiler with central heating backup, with solar control module

If a sufficiently high temperature is available in the multi-mode heating water buffer cylinder to heat the heating circuits, reheating is suppressed.

### Auxiliary function for DHW heating with solar control module

For detailed information see chapter "Auxiliary function for DHW heating".

Enabling the auxiliary function for DHW heating must be encoded at the boiler control unit. The solar preheat stage can be heated up at the selectable times.

Boiler control unit settings:

- The set DHW temperature 2 must be encoded
  - The DHW phase 4 for DHW heating must be enabled
- Via a KM BUS, this signal will be transferred to the Vitosolic 100, and the transfer pump will be started.

### Auxiliary function for DHW heating with Vitosolic 100

For detailed information see chapter "Auxiliary function for DHW heating".

Only possible in conjunction with Vitotronic control units with KM BUS.

Control units from the current Viessmann product range are equipped with the necessary software. When retrofitting an existing system, the boiler control unit may have to be equipped with a PCB (see Viessmann pricelist).

Boiler control unit settings:

- The set DHW temperature 2 must be encoded
  - The DHW phase 4 for DHW heating must be enabled
- Via a KM BUS, this signal will be transferred to the Vitosolic 100, and the transfer pump will be started.

### Auxiliary function for DHW heating with Vitosolic 200

For detailed information see chapter "Auxiliary function for DHW heating".

### Systems with Vitotronic control units and KM BUS

Control units from the current product range are equipped with the necessary software. When retrofitting an existing system, the boiler control unit may have to be equipped with a PCB (see Viessmann pricelist).

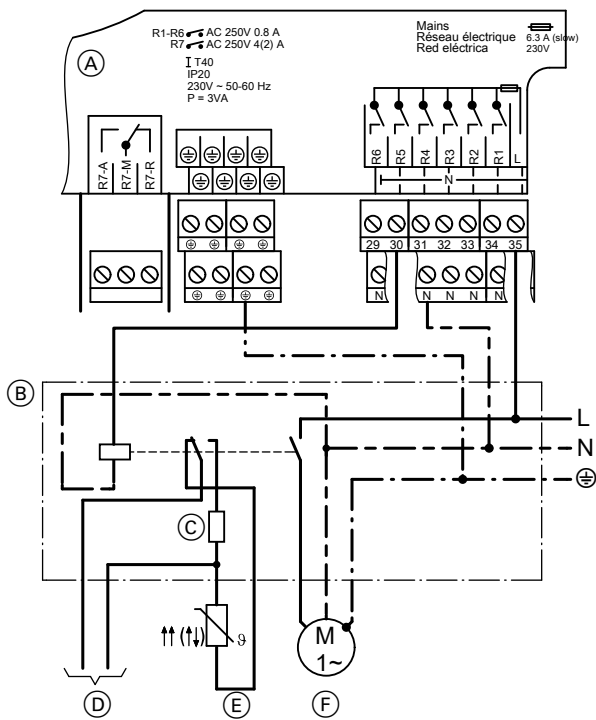
Boiler control unit settings

- Set DHW temperature 2 must be encoded
  - DHW phase 4 for DHW heating must be enabled
- This signal is then relayed via the KM BUS to the solar control unit. The transfer pump starts at an adjustable time if the DHW cylinder has not reached 60 °C at least once per day.

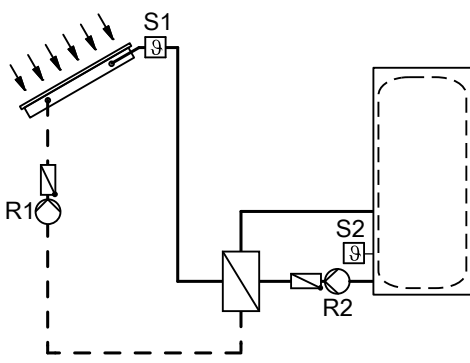


## Solar control units (cont.)

### Systems with additional Viessmann control units



- (A) Wiring chamber of the solar control unit
- (B) Contactor relay
- (C) Resistor (on site) for  
PTC: 560 Ω  
NTC: 8.2 kΩ  
(subject to the type of boiler control unit)
- (D) To the boiler control unit; connection for cylinder temperature sensor
- (E) Cylinder temperature sensor of the boiler control unit
- (F) Transfer pump

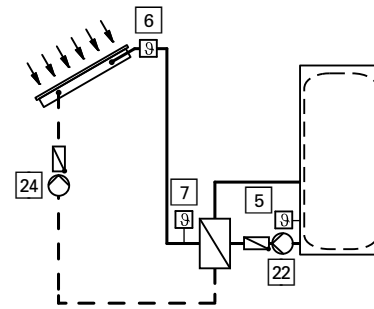


#### External heat exchanger with Vitosolic 200

In systems with several consumers, either an individual consumer or all consumers can be heated via the external heat exchanger.

The transfer pump starts at an adjustable time if the DHW cylinder has not reached 60 °C at least once per day. A resistor simulates a DHW temperature of approx. 35 °C. The transfer pump is connected to relay output R3 or R5, irrespective of which relays are already assigned standard functions.

#### External heat exchanger with solar control module



The DHW cylinder is heated via the heat exchanger. The secondary pump [22] starts in parallel with solar circuit pump [24]. If an additional temperature sensor [7] is used, secondary pump [22] starts when solar circuit pump [24] is running and the required temperature differential between sensors [5] and [7] is given.

#### External heat exchanger with Vitosolic 100

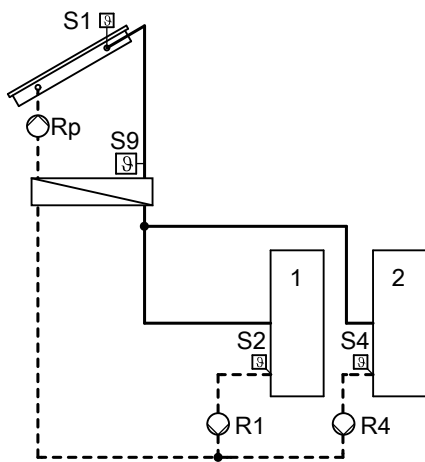
The DHW cylinder is heated via the heat exchanger. Secondary pump R2 starts in parallel with solar circuit pump R1.

The consumers will be heated up to the selected set temperature (delivered condition 60 °C).

## Solar control units (cont.)

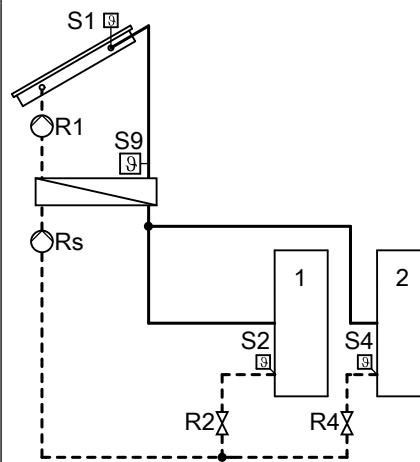
### External heat exchanger for all consumers

#### Heat exchanger relay switches the solar circuit pump (primary pump $R_p$ )



- When the start temperature differential " $\Delta T_{on}$ " between collector temperature sensor S1 and cylinder temperature sensor S2 or S4 is exceeded, the solar circuit pump (primary pump  $R_p$ ) is switched on.
- When the start temperature differential " $HE \Delta T_{on}$ " between heat exchanger sensor S9 and cylinder temperature sensor S2 or S4 is exceeded, the relevant circulation pump R1 or R4 is switched on to heat the consumers.

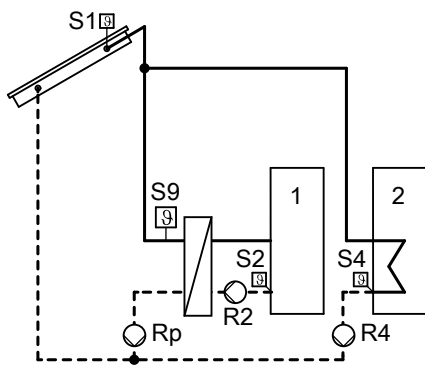
#### Heat exchanger relay switches the secondary pump $R_s$



- When the start temperature differential " $\Delta T_{on}$ " between collector temperature sensor S1 and cylinder temperature sensor S2 or S4 is exceeded, solar circuit pump R1 is switched on and the relevant valve R2 or R4 is opened to heat the consumers.
- When the start temperature differential " $HE \Delta T_{on}$ " between heat exchanger sensor S9 and cylinder temperature sensor S2 or S4 is exceeded, secondary pump  $R_s$  is switched on.

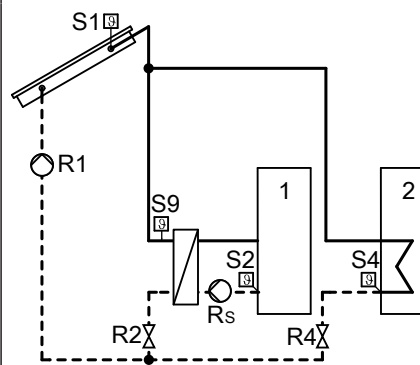
### External heat exchanger for one consumer

#### Heat exchanger relay switches the solar circuit pump (primary pump $R_p$ )



- When the start temperature differential " $\Delta T_{on}$ " between collector temperature sensor S1 and cylinder temperature sensor S2 or S4 is exceeded, the solar circuit pump (primary pump  $R_p$ ) or circulation pump R4 is switched on.
- When the start temperature differential " $HE \Delta T_{on}$ " between heat exchanger sensor S9 and cylinder temperature sensor S2 is exceeded, circulation pump R2 is switched on to heat consumer 1.

#### Heat exchanger relay switches the secondary pump $R_s$

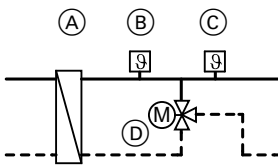


- When the start temperature differential " $\Delta T_{on}$ " between collector temperature sensor S1 and cylinder temperature sensor S2 or S4 is exceeded, solar circuit pump R1 is switched on and the relevant valve R2 or R4 is opened to heat the consumers.
- When the start temperature differential " $HE \Delta T_{on}$ " between heat exchanger sensor S9 and cylinder temperature sensor S2 is exceeded, secondary pump  $R_s$  is switched on to heat consumer 1.

### External heat exchanger in large solar thermal systems

In large solar thermal systems with long solar lines in areas without frost protection, a 3-way valve for frost protection of the plate heat exchanger must be installed. This prevents the flow of cold heat transfer medium into the plate heat exchanger, potentially causing it to freeze up.

## Solar control units (cont.)

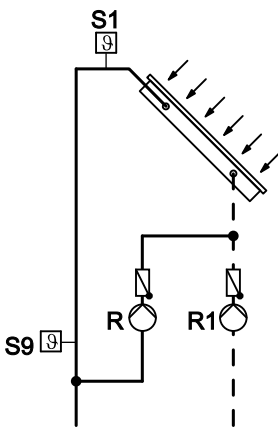


- (A) Plate heat exchanger
- (B) Temperature sensor
- (C) Frost stat
- (D) 3-way valve

### Bypass circuits with Vitosolic 200

To improve the start-up characteristics of the system or for frost protection with an external heat exchanger, we recommend operation with a bypass circuit.

### Bypass circuit with collector temperature sensor and bypass sensor



- R1 Solar circuit pump
- R Bypass pump (subject to scheme)
- S1 Collector temperature sensor
- S9 Bypass sensor

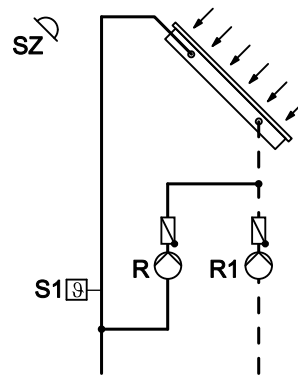
The Vitosolic 200 captures the collector temperature via the collector temperature sensor. If the set temperature differential between the collector temperature sensor and the cylinder temperature sensor is exceeded, the bypass pump is switched on.

The solar circuit pump is started and the bypass pump is stopped if the temperature differential between the bypass sensor and the cylinder temperature sensor is exceeded by 2.5 K.

#### Note

*The pump of the Solar-Divicon is used as a bypass pump and the pump for the solar pump assembly is used as a solar circuit pump.*

### Bypass circuit with solar cell and collector temperature sensor



- SZ Solar cell
- R1 Solar circuit pump
- R Bypass pump (subject to scheme)
- S1 Collector temperature sensor

The solar control unit records the radiation intensity via the solar cell. The bypass pump is started if the set insolation threshold is exceeded. The bypass pump is switched off and the solar circuit pump is switched on if the set temperature differential between the collector temperature sensor and cylinder temperature sensor is exceeded. The bypass pump will also be stopped if the insolation level falls below the selected switching threshold (shutdown delay approx. 2.5 min).

#### Note

*The pump of the Solar-Divicon is used as a bypass pump and the pump for the solar pump assembly is used as a solar circuit pump.*

### Parallel relay with Vitosolic 200

With this function, a further relay will be switched (subject to the system scheme) in addition to the relay that switches the circulation pump of a solar consumer, e.g. to control a diverter valve.

### Cylinder 2 (to 4) on with Vitosolic 200

In systems with several consumers.

With this function, consumers can be excluded from solar heating. Any break or short circuit of the cylinder temperature sensor is then no longer reported.

### Cylinder heating with Vitosolic 200

This function heats a consumer within a certain range. This range is determined by the sensor positions.

### Cylinder priority control with Vitosolic 200

In systems with several consumers.

It is possible to determine the order for heating the consumers.

### Utilisation of excess heat with Vitosolic 200

In systems with several consumers.

A consumer can be selected to be heated only once all other consumers have reached their set value. The selected consumer will not be heated in cyclical operation.

### Cyclical heating

In systems with several consumers.

If the consumer cannot be heated with priority, the next consumer in line will be heated for an adjustable cycle time. After this time has expired, the solar control unit checks the rise of the collector temperature during the adjustable cyclical pause. As soon as the start conditions for the consumer with priority have been met, that consumer will be heated again. Otherwise, the next-in-line consumers will continue to be heated.

## Solar control units (cont.)

### Relay kick with solar control module

If the pumps and valves have been switched off for 24 hours, they are started for approx. 10 s to prevent them seizing up.

### Relay kick with Vitosolic 200

If the pumps and valves have been switched off for 24 h, they are started for approx. 10 s to prevent them seizing up.

### SD card with Vitosolic 200

SD card to be provided on site with a memory capacity  $\leq$  32 GB and file system FAT16

### Note

*Never use SD-HD cards.*

The SD card is inserted into the Vitosolic 200.

- To record the operating values of the solar thermal system
- Saving the values to the module in a text file. The text file can be opened, e.g. using a spreadsheet program. The values can therefore also be displayed graphically.

## Solar control units (cont.)

### 6.5 Accessories

#### Allocation to solar control units

	Part no.	Solar control module	Vitosolic	
			100	200
Contactor relay	7814681	—	X	X
Immersion temperature sensor	7438702	X	—	—
Immersion temperature sensor	7426247	—	X	X
Collector temperature sensor	7831913	—	—	X
Stainless steel sensor well	7819693	X	X	X
Heat meter		—	—	—
– Heat meter 06	7418206	—	—	X
– Heat meter 15	7418207	—	—	X
– Heat meter 25	7418208	—	—	X
– Heat meter 35	7418209	—	—	X
– Heat meter 60	7418210	—	—	X
Solar cell	7408877	—	—	X
Large display	7438325	—	—	X
High limit safety cut-out	Z001889	X	X	X
Temperature controller as temperature limiter (maximum limit)	Z001887	—	—	X
Temperature controller	7151989	X	X	X
Temperature controller	7151988	X	X	X

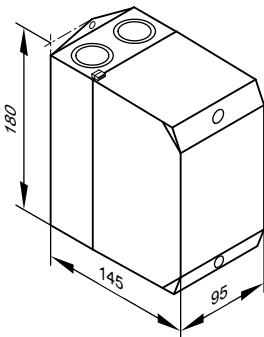
#### Contactor relay

##### Part no. 7814681

- Contactor in small enclosure
- With 4 N/C and 4 N/O contacts
- With terminal strips for earth conductors

##### Specification

Coil voltage	230 V/50 Hz
Rated current ( $I_{th}$ )	AC1 16 A AC3 9 A

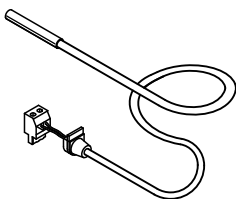


#### Immersion temperature sensor

##### Immersion temperature sensor

##### Part no. 7438702

To capture a temperature in a sensor well



##### Specification

Lead length	5.8 m, fully wired
IP rating	IP 32 to EN 60529; ensure through design/installation
Sensor type	Viessmann NTC 10 kΩ, at 25 °C
Permissible ambient temperature	
– Operation	0 to +90 °C
– Storage and transport	–20 to +70 °C

- For DHW circulation diversion in systems with 2 DHW cylinders
- For return changeover between the boiler and the heating water buffer cylinder
- For heating additional consumers

##### Immersion temperature sensor

##### Part no. 7426247

For installation in the DHW cylinder, heating water buffer cylinder, combi cylinder

## Solar control units (cont.)

- For DHW circulation diversion in systems with 2 DHW cylinders
  - For return changeover between the boiler and the heating water buffer cylinder
  - For heating additional consumers
  - For a heat statement (return temperature is captured)
- On-site extension of the connecting lead:
- 2-core lead, length up to 60 m with a cross-section of 1.5 mm<sup>2</sup> (copper)
  - Never route this cable immediately next to 230/400 V cables.

### Specification

Lead length	3.8 m
IP rating	IP 32 to EN 60529; ensure through design/installation
Sensor type	Viessmann NTC 10 kΩ, at 25 °C
Permissible ambient temperature	
– Operation	0 to +90 °C
– Storage and transport	–20 to +70 °C

## Collector temperature sensor

Part no. 7831913

- Immersion temperature sensor for installation in the solar collector
- For systems with 2 collector arrays
  - For heat statement (recording flow temperature)

On-site extension of the connecting lead:

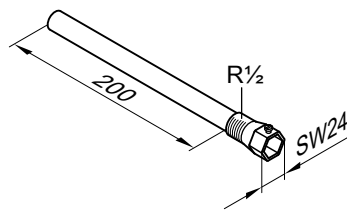
- 2-core lead, length up to 60 m with a cross-section of 1.5 mm<sup>2</sup> (copper)
- Never route this lead immediately next to 230/400 V cables.

### Specification

Lead length	2.5 m
IP rating	IP 32 to EN 60529; ensure through design/installation
Sensor type	Viessmann NTC 20 kΩ at 25 °C
Permissible ambient temperature	
– Operation	–20 to +200 °C
– Storage and transport	–20 to +70 °C

## Stainless steel sensor well

Part no. 7819693



For temperature controllers and temperature sensors.  
Part of the standard delivery of the Viessmann DHW cylinders.

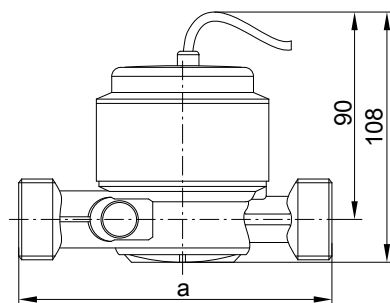
## Heat meter

Components:

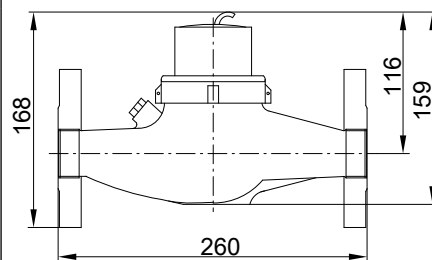
- 2 sensor wells
- Flow meter with connection fitting to capture the flow rate of water: glycol mixtures (Viessmann heat transfer medium "Tyfocor LS" with 45 % glycol volume ratio):

### Heat meter

06 Part no. 7418206  
15 Part no. 7418207  
25 Part no. 7418208



35 Part no. 7418209  
60 Part no. 7418210



## Solar control units (cont.)

### Specification

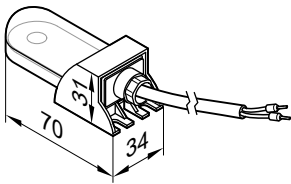
Permissible ambient temperature

- During operation 0 to +40 °C
- During storage and transport –20 to +70 °C
- Setting range for glycol volume ratio 0 to 70 %

Flow meter		06	15	25	35	60
Dimension a in mm		110	110	130	—	—
Pulse rate	l/imp.	1	10	25	25	25
Internal diameter	DN	15	15	20	25	32
Connection thread at the meter	R	¾	¾	1	1¼	1½
Connection thread at the fitting	R	½	½	¾	1	1¼
Max. operating pressure	bar	16	16	16	16	16
Max. operating temperature	°C	120	120	120	130	130
Sensor wells G½ x	mm	45	45	60	60	60
The following details refer to the water flow rate. If glycol mixtures are used, the different viscosities will result in deviations.						
Nominal flow rate	m³/h	0.6	1.5	2.5	3.5	6.0
Peak flow rate	m³/h	1.2	3	5	7	12
Cut point ±3 %	l/h	48	120	200	280	480
Lowest flow rate (horizontal installation)	l/h	12	30	50	70	120
Lowest flow rate (vertical installation)	l/h	24	60	100	—	—
Pressure drop at approx. ¾ of the nominal flow rate	bar	0.1	0.1	0.1	0.1	0.1

### Solar cell

Part no. 7408877



The solar cell captures the intensity of the sun and communicates this to the solar control unit. The bypass pump will be switched ON if the insolation exceeds the set switching threshold.

With connecting cable, 2.3 m long.

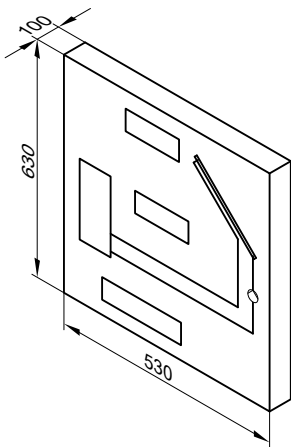
On-site extension of the connecting lead:

2-core lead, length max. 35 m with a cross-section of 1.5 mm² (copper).

### Large display

Part no. 7438325

To visualise the collector and cylinder temperatures as well as the energy yield.



With power supply unit plug.

### Specification

Power supply	9 V– plug power supply unit 230 V~, 50 to 60 Hz
Power consumption	max. 12 VA
BUS connection	V BUS
IP rating	IP 30 (in dry rooms)
Permissible ambient temperature during operation, storage and transport	0 to 40 °C

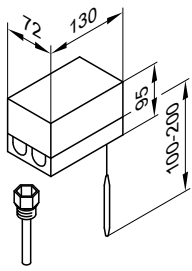
### High limit safety cut-out

Part no. Z001889

- With a thermostatic system
- With stainless steel sensor well R½ x 200 mm

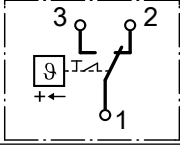
- With setting scale and reset button in the casing
- Required if less than 40 l cylinder capacity is available per m² absorber area. This reliably prevents temperatures above 95 °C in the DHW cylinder.

## Solar control units (cont.)



### Specification

Connection	3-core lead with a cross-section of 1.5 mm <sup>2</sup>
IP rating	IP 41 to EN 60529

Switching point	120 (110, 100, 95) °C
Switching differential	max. 11 K
Breaking capacity	6(1.5) A, 250 V~
Switching function	with rising temperature from 2 to 3 
DIN reg. no.	DIN STB 1169

## Pressure switch

### Part no. ZK03781

Suitable for all solar circuits

For monitoring system pressure in the solar circuit (leaks). Use in water conservation areas and with solar thermal systems with solar medium capacity > 220 l against the backdrop of the Regulation on Handling Substances Hazardous to Water (AwSV).

- Adjustable pressure monitor (e.g. 0 to 10 bar)
- Adjustable between 5 and 90 % of nominal pressure

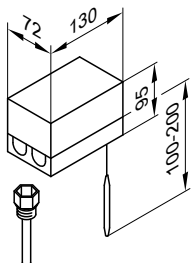
- With floating alarm contact
- Compatible with Viessmann heat transfer medium (Tyfocor L/LS)
- Operating medium connections G 1/4
- Max. operating temperature 120 °C

## Temperature controller as temperature limiter (maximum limit)

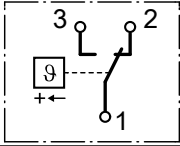
### Part no. Z001887

With stainless steel sensor well R½ x 200 mm.

With setting scale in the casing.



### Specification

Connection	3-core lead with a cross-section of 1.5 mm <sup>2</sup>
Setting range	30 to 80 °C
Switching differential	Max. 11 K
Breaking capacity	6(1.5) A 250 V~
Switching function	With rising temperature from 2 to 3 
DIN reg. no.	DIN TR 1168

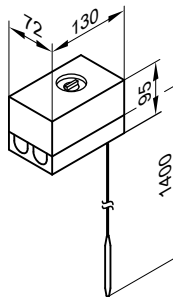
## Temperature controller

### Part no. 7151989

Suitable for:

- Vitocell 100-B
- Vitocell 100-V
- Vitocell 340-M
- Vitocell 360-M

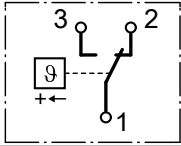
- With a thermostatic system
- With selector on the outside of the casing
- Without sensor well
- With top-hat rail to be fitted to the DHW cylinder or the wall





## Solar control units (cont.)

### Specification

Connection	3-core lead with a cross-section of 1.5 mm <sup>2</sup>
IP rating	IP 41 to EN 60529
Setting range	30 to 60 °C, adjustable up to 110 °C
Switching differential	Max. 11 K
Breaking capacity	6 (1.5) A 250 V~
Switching function	With rising temperature from 2 to 3 
DIN registration number	DIN TR 1168

### Temperature controller

#### Part no. 7151988

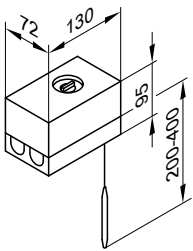
Suitable for:

- Vitocell 300-B
- Vitocell 300-V, type EVI

- With a thermostatic system
- With selector on the outside of the casing
- Without sensor well

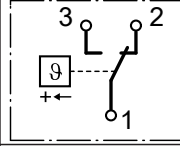
Suitable for sensor well part no. 7819693

The sensor well is part of the standard delivery of DHW cylinders from Viessmann.



### Specification

Connection	3-core lead with a cross-section of 1.5 mm <sup>2</sup>
IP rating	IP 41 to EN 60529
Setting range	30 to 60 °C, adjustable up to 110 °C
Switching differential	max. 11 K

Breaking capacity	6(1.5) A 250 V~
Switching function	with rising temperature from 2 to 3 
DIN reg. no.	DIN TR 1168

#### Set of contact temperature sensors for energy cockpit

For capturing the temperature in the solar flow and return

Use in conjunction with the Vitotronic 200, type HO2C:

- Graphic display of energy consumption, solar utilisation, temperature stratification
- Fault diagnosis
- Visualisation of the operating state and solar yield via remote control, app and internet

Components:

- 1 threaded elbow
- 1 sensor well
- 2 temperature sensors with leads (5.8 m long) and 1 plug

	Part no.
Vitocell 100-B, type CVB/CVBB	<b>ZK02459</b>
Vitocell 140/160-E	<b>ZK02460</b>
Vitocell 340/360-M	<b>ZK02460</b>

## DHW cylinders

### 7.1 Vitocell 100-U, type CVUB/CVUC-A

With installed Solar-Divicon and solar control module (type SM1) or Vitosolic 100 (type SD1).

For DHW heating in conjunction with boilers and solar collectors.

Suitable for the following systems:

- DHW temperature up to **95 °C**
- Heating water flow temperature up to **160 °C**
- Solar flow temperature up to **110 °C**
- Operating pressure **on the heating water side up to 10 bar (1.0 MPa)**
- Operating pressure **on the solar side up to 10 bar (1.0 MPa)**
- Operating pressure **on the DHW side up to 10 bar (1.0 MPa)**

#### Specification

Type		CVUB	CVUC-A
<b>Cylinder capacity</b> (AT: Actual water capacity)	l	300	
<b>Heating water capacity</b>			
– Upper indirect coil	l	6	
– Lower indirect coil	l	10	
<b>Gross volume</b>	l	316	
<b>DIN registration no.</b>		0266/07-13MC/E	
<b>Continuous output, upper indirect coil</b>			
For DHW heating from <b>10 to 45 °C</b> and a <b>heating water</b> flow temperature of ... at the heating water flow rate stated below	90 °C	kW l/h	31 761
	80 °C	kW l/h	26 638
	70 °C	kW l/h	20 491
	60 °C	kW l/h	15 368
	50 °C	kW l/h	11 270
<b>Continuous output, upper indirect coil</b>			
For DHW heating from <b>10 to 60 °C</b> and a <b>heating water</b> flow temperature of ... at the heating water flow rate stated below	90 °C	kW l/h	23 395
	80 °C	kW l/h	20 344
	70 °C	kW l/h	15 258
<b>Heating water flow rate</b> for the stated continuous outputs		m <sup>3</sup> /h	3.0
<b>Draw-off rate</b>		l/min	15
<b>Drawable water volume</b>	l	110	
Without reheating Cylinder content heated to 60 °C Water at t = 60 °C (constant)			
<b>Standby heat loss</b>	kWh/24 h	1.52	1.15
<b>Standby capacity V<sub>aux</sub></b>	l	127	
<b>Solar capacity V<sub>sol</sub></b>	l	173	
<b>Dimensions (incl. thermal insulation)</b>			
Length a (∅)	mm	660	
Total width b	mm	840	
Height c	mm	1735	
Height when tilted	mm	1830	
<b>Weight incl. thermal insulation</b>	kg	179	
<b>Total weight in operation</b>	kg	481	
<b>Heating surface</b>			
– Upper indirect coil	m <sup>2</sup>	0.9	
– Lower indirect coil	m <sup>2</sup>	1.5	
<b>Connections (male thread)</b>			
Heating water flow and return	R	1	
Cold water, DHW	R	1	
DHW circulation	R	1	
<b>Energy efficiency class</b>		B	A

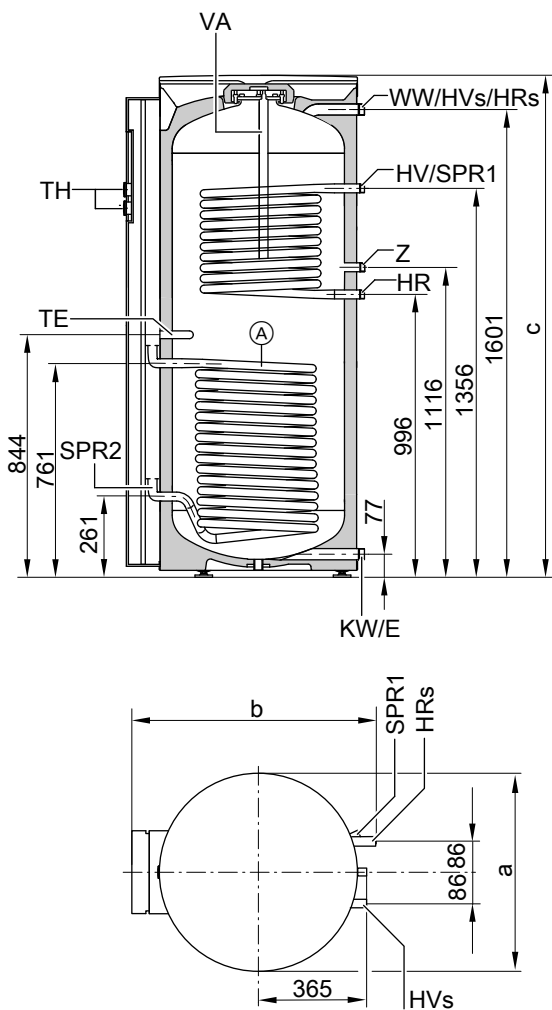
#### Information regarding continuous output of the upper indirect coil

When engineering systems with the specified or calculated continuous output, select a matching circulation pump. The stated continuous output is only achieved when the rated boiler heating output ≥ continuous output.

#### Note

The DHW cylinder is also available as Vitocell 100-W, type CVUB in white. The Vitocell 100-W, type CVUC-A is only available in white.

## DHW cylinders (cont.)



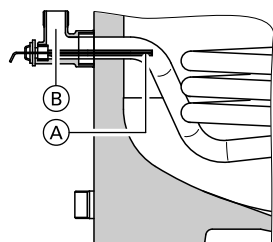
### Dimensions

Dimension	mm
a	660
b	840
c	1735

- (A) Lower indirect coil (solar thermal system)  
The connections HV<sub>s</sub> and HR<sub>s</sub> are located on the top of the DHW cylinder.
- E Drain outlet
- HR Heating water return
- HR<sub>s</sub> Heating water return, solar thermal system
- HV Heating water flow
- HV<sub>s</sub> Heating water flow, solar thermal system
- KW Cold water
- SPR1 Sensor well for cylinder temperature sensor of cylinder temperature controller (internal diameter 16 mm)
- SPR2 Sensor well for cylinder temperature sensor of solar thermal system (internal diameter 16 mm)
- TE Sensor well (internal diameter 16 mm)
- TH Thermometer
- VA Protective magnesium anode
- WW DHW
- Z DHW circulation

## DHW cylinders (cont.)

### Cylinder temperature sensor for solar operation



Arrangement of cylinder temperature sensor in the heating water return  $HR_s$

- (A) Cylinder temperature sensor (standard delivery of solar control unit)
- (B) Threaded elbow with sensor well (standard delivery, internal diameter 6.5 mm)

#### Performance factor $N_L$

To DIN 4708.

Upper indirect coil.

Cylinder storage temperature  $T_{cyl}$  = cold water inlet temperature

+50 K <sup>+5 K/-0 K</sup>

#### Performance factor $N_L$ at heating water flow temperature

90 °C	1.6
80 °C	1.5
70 °C	1.4

#### Information regarding performance factor $N_L$

The performance factor  $N_L$  depends on the cylinder storage temperature  $T_{cyl}$ .

#### Standard values

- $T_{cyl} = 60\text{ °C} \rightarrow 1.0 \times N_L$
- $T_{cyl} = 55\text{ °C} \rightarrow 0.75 \times N_L$
- $T_{cyl} = 50\text{ °C} \rightarrow 0.55 \times N_L$
- $T_{cyl} = 45\text{ °C} \rightarrow 0.3 \times N_L$

#### Peak output (over 10 minutes)

Relative to the performance factor  $N_L$ .

DHW heating from 10 to 45 °C.

#### Peak output (l/10 min) at a heating water flow temperature of

90 °C	173
80 °C	168
70 °C	164

#### Max. draw-off rate (over 10 minutes)

Relative to the performance factor  $N_L$ .

With reheating.

DHW heating from 10 to 45 °C.

#### Max. draw-off rate (l/min) at heating water flow temperature

90 °C	17
80 °C	17
70 °C	16

## DHW cylinders (cont.)

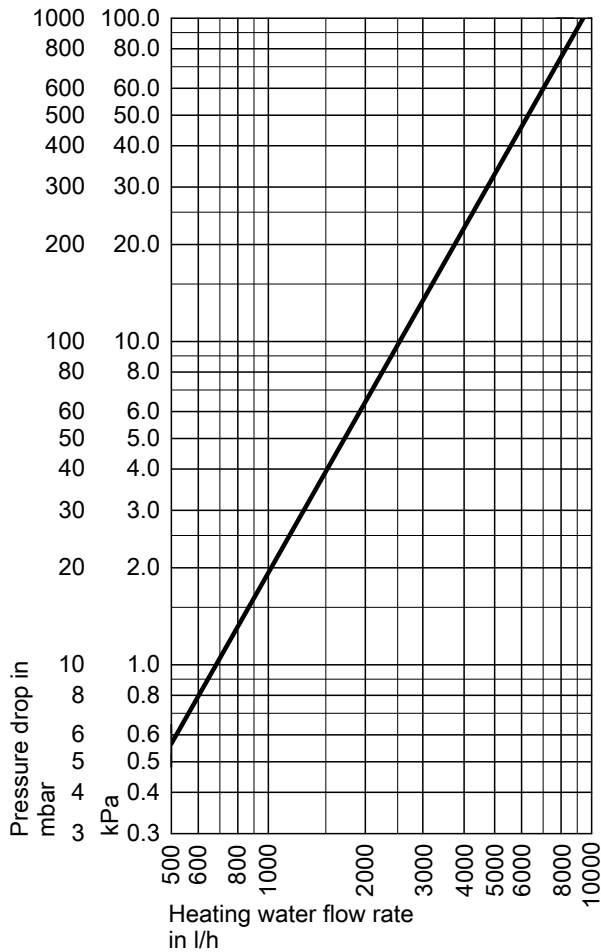
### Heat-up time

The specified heat-up times will be achieved subject to the maximum continuous output of the DHW cylinder being made available at the relevant heating water flow temperature and when DHW is heated from 10 to 60 °C.

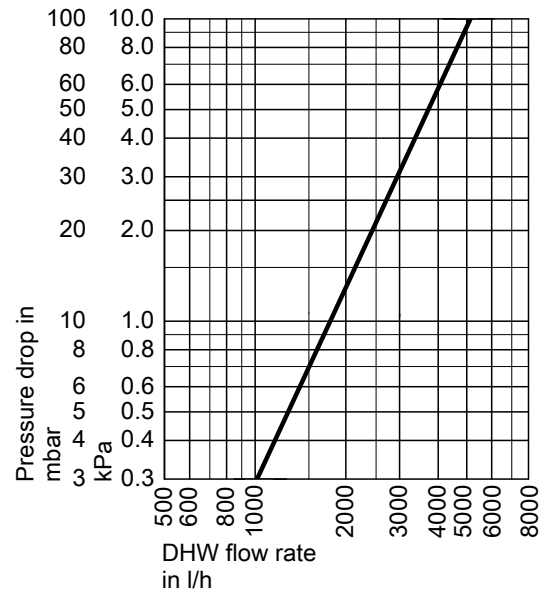
### Heat-up time (min.) at heating water flow temperature

90 °C	16
80 °C	22
70 °C	30

### Pressure drop on the heating water side, upper indirect coil



### Pressure drop on the DHW side



## DHW cylinders (cont.)

### 7.2 Vitocell 100-B, type CVB/CVBB

For DHW heating in conjunction with boilers and solar collectors for dual mode operation

Suitable for the following systems:

- DHW temperature up to 95 °C
- Heating water flow temperature up to 160 °C

- Solar flow temperature up to 160 °C
- Operating pressure on the heating water side up to 10 bar (1.0 MPa)
- Operating pressure on the solar side up to 10 bar (1.0 MPa)
- Operating pressure on the DHW side up to 10 bar (1.0 MPa)

#### Specification

Type		CVBB		CVB		CVB		CVBB		CVBB		
Cylinder capacity	l	300		400		500		750		950		
(AT: Actual water capacity)												
Internal indirect coil		Top	Bot- tom	Top	Bot- tom	Top	Bot- tom	Top	Bot- tom	Top	Bottom	
Heating water capacity	l	6	10	6.5	10.5	9	12.5	13.8	29.7	18.6	33.1	
Gross volume	l	316	316	417	417	521.5	521.5	795.5	795.5	1001.7	1001.7	
DIN registration no.		9W242/11-13 MC/E						Applied for				
Continuous output For DHW heating from 10 to 45 °C and a heating water flow temperature of ... at the heating water flow rate stated below	90 °C	kW	31	53	42	63	47	70	76	114	90	122
		l/h	761	1302	1032	1548	1154	1720	1866	2790	2221	2995
	80 °C	kW	26	44	33	52	40	58	63	94	75	101
		l/h	638	1081	811	1278	982	1425	1546	2311	1840	2482
	70 °C	kW	20	33	25	39	30	45	49	73	58	78
	l/h	491	811	614	958	737	1106	1200	1794	1428	1926	
	60 °C	kW	15	23	17	27	22	32	35	52	41	56
	l/h	368	565	418	663	540	786	853	1275	1015	1369	
	50 °C	kW	11	18	10	13	16	24	26	39	31	42
	l/h	270	442	246	319	393	589	639	955	760	1026	
Continuous output For DHW heating from 10 to 60 °C and a heating water flow temperature of ... at the heating water flow rate stated below	90 °C	kW	23	45	36	56	36	53	59	79	67	85
		l/h	395	774	619	963	619	911	1012	1359	1157	1465
	80 °C	kW	20	34	27	42	30	44	49	66	56	71
	l/h	344	584	464	722	516	756	840	1128	960	1216	
	70 °C	kW	15	23	18	29	22	33	37	49	42	53
	l/h	258	395	310	499	378	567	630	846	720	912	
Heating water flow rate for the stated continuous outputs	m <sup>3</sup> /h	3.0		3.0		3.0		3.0		3.0		
Max. connectable heat pump output At 55 °C heating water flow tem- perature and 45 °C DHW tem- perature for the specified heating water flow rate (both internal in- direct coils connected in series)	kW	10		12		14		21		23		
Standby heat loss	kWh/ 24 h	1.65		1.80		1.95		2.28		2.48		
Standby capacity V <sub>aux</sub>	l	127		167		231		365		500		
Solar capacity V <sub>sol</sub>	l	173		233		269		385		450		
<b>Dimensions</b>												
Length (∅)												
– Incl. thermal insulation	a	mm	667		859		859		1062		1062	
– Excl. thermal insulation		mm	–		650		650		790		790	
Total width												
– Incl. thermal insulation	b	mm	744		923		923		1110		1110	
– Excl. thermal insulation		mm	–		881		881		1005		1005	
Height												
– Incl. thermal insulation	c	mm	1734		1624		1948		1897		2197	
– Excl. thermal insulation		mm	–		1518		1844		1797		2103	
Height when tilted												
– Incl. thermal insulation		mm	1825		–		–		–		–	
– Excl. thermal insulation		mm	–		1550		1860		1980		2286	
Weight incl. thermal insulation	kg	166		167		205		320		390		
Total weight in operation incl. immersion heater	kg	468		569		707		1072		1342		
Heating surface	m <sup>2</sup>	0.9	1.5	1.0	1.5	1.4	1.9	1.6	3.5	2.2	3.9	

## DHW cylinders (cont.)

Type		CVBB		CVB		CVB		CVBB		CVBB	
Cylinder capacity (AT: Actual water capacity)	l	300		400		500		750		950	
Internal indirect coil		Top	Bot- tom	Top	Bot- tom	Top	Bot- tom	Top	Bot- tom	Top	Bottom
<b>Connections</b>											
Upper indirect coil (male thread)	R	1		1		1		1		1	
Lower indirect coil (male thread)	R	1		1		1		1¼		1¼	
Cold water, DHW (male thread)	R	1		1¼		1¼		1¼		1¼	
DHW circulation (male thread)	R	1		1		1		1¼		1¼	
Immersion heater (female thread)	Rp	1½		1½		1½		–		–	
<b>Energy efficiency class</b>		B		B		B		–		–	

### Information regarding the upper indirect coil

The upper indirect coil is designed for connection to a heat generator.

### Information regarding the lower indirect coil

The lower indirect coil is designed for connection to solar collectors. To install the cylinder temperature sensor, use the threaded elbow with sensor well included in standard delivery.

### Information regarding continuous output

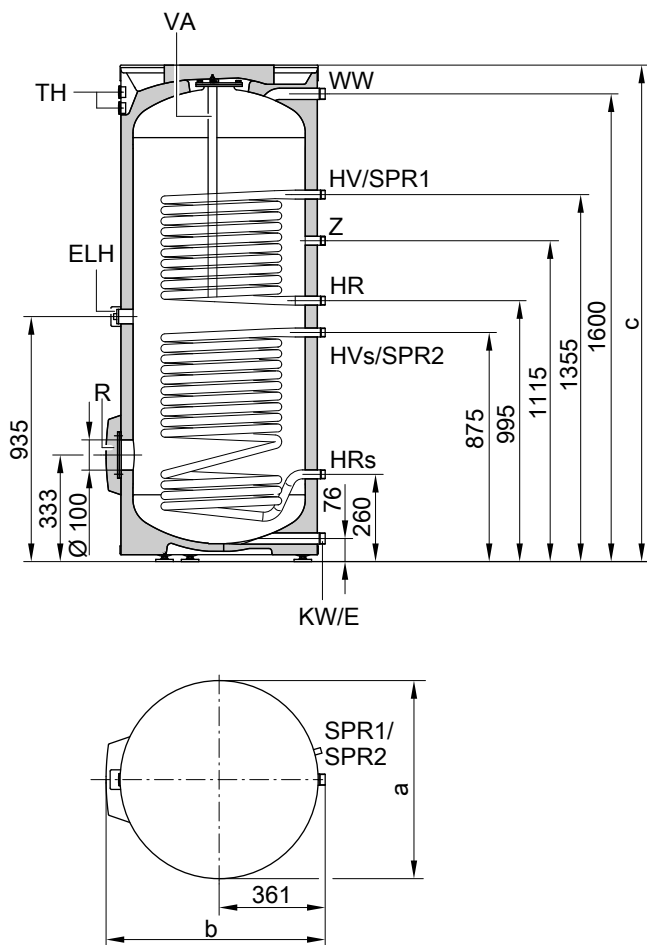
When designing systems with the specified or calculated continuous output, select a matching circulation pump. The stated continuous output is achieved only if rated boiler heating output  $\geq$  continuous output.

### Note

The versions with 300 and 400 l capacity are also available in white as Vitocell 100-W.

## DHW cylinders (cont.)

Vitocell 100-B, type CVBB, 300 l capacity



### Dimensions

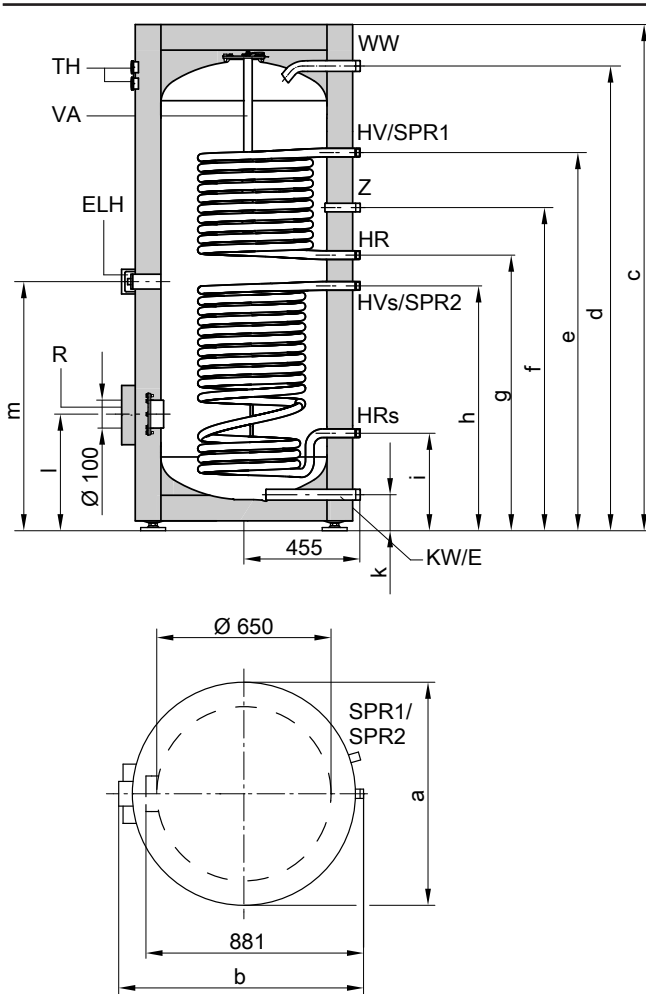
Cylinder capacity	l	300
a	mm	667
b	mm	744
c	mm	1734

- E Drain
- ELH Immersion heater
- HR Heating water return
- HR<sub>s</sub> Heating water return, solar thermal system
- HV Heating water flow
- HV<sub>s</sub> Heating water flow, solar thermal system
- KW Cold water
- R Inspection and cleaning aperture with flange cover (also suitable for installation of an immersion heater)
- SPR1 Cylinder temperature sensor for cylinder temperature controller (internal diameter 16 mm)
- SPR2 Temperature sensors/thermometers (internal diameter 16 mm)
- TH Thermometer (accessories)
- VA Protective magnesium anode
- WW DHW
- Z DHW circulation



## DHW cylinders (cont.)

Vitocell 100-B, type CVB, 400 and 500 l capacity



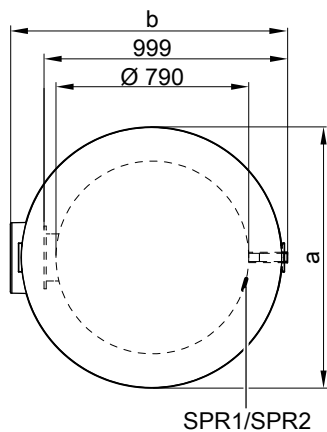
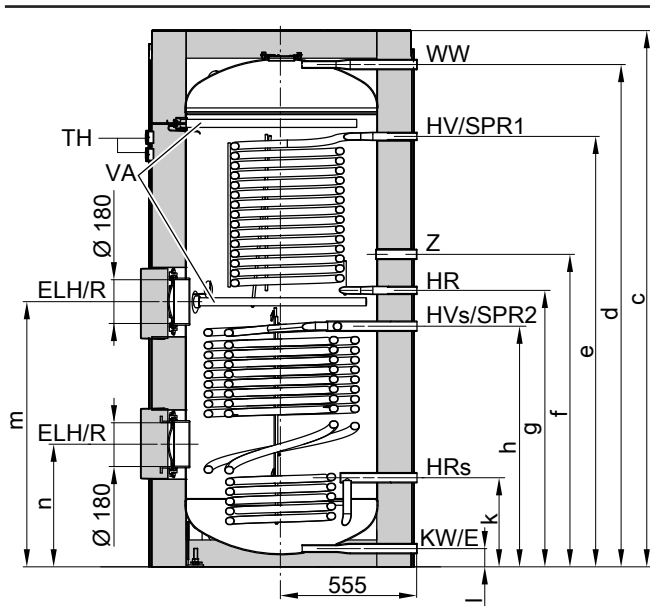
### Dimensions

Cylinder capacity	l	400	500
a	mm	859	859
b	mm	923	923
c	mm	1624	1948
d	mm	1458	1784
e	mm	1204	1444
f	mm	1044	1230
g	mm	924	1044
h	mm	804	924
i	mm	349	349
k	mm	107	107
l	mm	422	422
m	mm	864	984

- E Drain
- ELH Immersion heater
- HR Heating water return
- HR<sub>s</sub> Heating water return, solar thermal system
- HV Heating water flow
- HV<sub>s</sub> Heating water flow, solar thermal system
- KW Cold water
- R Inspection and cleaning aperture with flange cover (also suitable for installation of an immersion heater)
- SPR1 Cylinder temperature sensor for cylinder temperature controller (internal diameter 16 mm)
- SPR2 Temperature sensors/thermometers (internal diameter 16 mm)
- TH Thermometer (accessories)
- VA Protective magnesium anode
- WW DHW
- Z DHW circulation

## DHW cylinders (cont.)

Vitocell 100-B, type CVBB, 750 and 950 l capacity



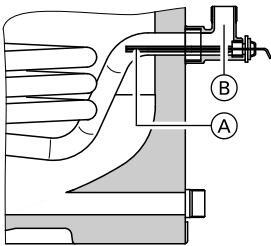
### Dimensions

Cylinder capacity	l	750	950
a	mm	1062	1062
b	mm	1110	1110
c	mm	1897	2197
d	mm	1749	2054
e	mm	1464	1760
f	mm	1175	1278
g	mm	1044	1130
h	mm	912	983
k	mm	373	363
l	mm	74	73
m	mm	975	1084
n	mm	509	501

- E Drain
- ELH Immersion heater or heating lance
- HR Heating water return
- HR<sub>s</sub> Heating water return, solar thermal system
- HV Heating water flow
- HV<sub>s</sub> Heating water flow, solar thermal system
- KW Cold water
- R Inspection and cleaning aperture with flange cover
- SPR1 Clamping system for securing immersion temperature sensors to the cylinder jacket (up to 3 immersion temperature sensors)
- SPR2 Clamping system for securing immersion temperature sensors to the cylinder jacket (up to 3 immersion temperature sensors)
- TH Thermometer (accessories)
- VA Protective magnesium anode
- WW DHW
- Z DHW circulation

## DHW cylinders (cont.)

### Cylinder temperature sensor for solar operation



Arrangement of cylinder temperature sensor in the heating water return  $HR_s$

- (A) Cylinder temperature sensor (standard delivery of solar control unit)
- (B) Threaded elbow with sensor well (standard delivery, internal diameter 6.5 mm)

#### Performance factor $N_L$

- To DIN 4708
- Upper indirect coil
- Cylinder storage temperature  $T_{cyl}$  = cold water inlet temperature + 50 K <sup>+5 K/-0 K</sup>

Cylinder capacity	I	300	400	500	750* <sup>2</sup>	950* <sup>2</sup>
<b>Performance factor <math>N_L</math></b>						
at heating water flow temperature						
90 °C		1.6	3.0	6.0	8.0	11.0
80 °C		1.5	3.0	6.0	8.0	11.0
70 °C		1.4	2.5	5.0	7.0	10.0

#### Information regarding performance factor $N_L$

The performance factor  $N_L$  changes in line with the cylinder storage temperature  $T_{cyl}$ .

##### Standard values

- $T_{cyl} = 60\text{ °C} \rightarrow 1.0 \times N_L$
- $T_{cyl} = 55\text{ °C} \rightarrow 0.75 \times N_L$
- $T_{cyl} = 50\text{ °C} \rightarrow 0.55 \times N_L$
- $T_{cyl} = 45\text{ °C} \rightarrow 0.3 \times N_L$

#### Peak output (over 10 minutes)

- Relative to performance factor  $N_L$
- DHW heating from 10 to 45 °C

Cylinder capacity	I	300	400	500	750* <sup>2</sup>	950* <sup>2</sup>
<b>Peak output</b>						
at heating water flow temperature						
90 °C	l/10 min	173	230	319	438	600
80 °C	l/10 min	168	230	319	438	600
70 °C	l/10 min	164	210	299	400	550

#### Max. draw-off rate (over 10 minutes)

- Relative to performance factor  $N_L$
- With reheating
- DHW heating from 10 to 45 °C

Cylinder capacity	I	300	400	500	750* <sup>2</sup>	950* <sup>2</sup>
<b>Max. draw-off rate</b>						
at heating water flow temperature						
90 °C	l/min	17	23	32	44	60
80 °C	l/min	17	23	32	44	60
70 °C	l/min	16	21	30	40	55

\*<sup>2</sup> Values determined by calculation.

## DHW cylinders (cont.)

### Drawable water volume

- Cylinder content heated to 60 °C
- Without reheating

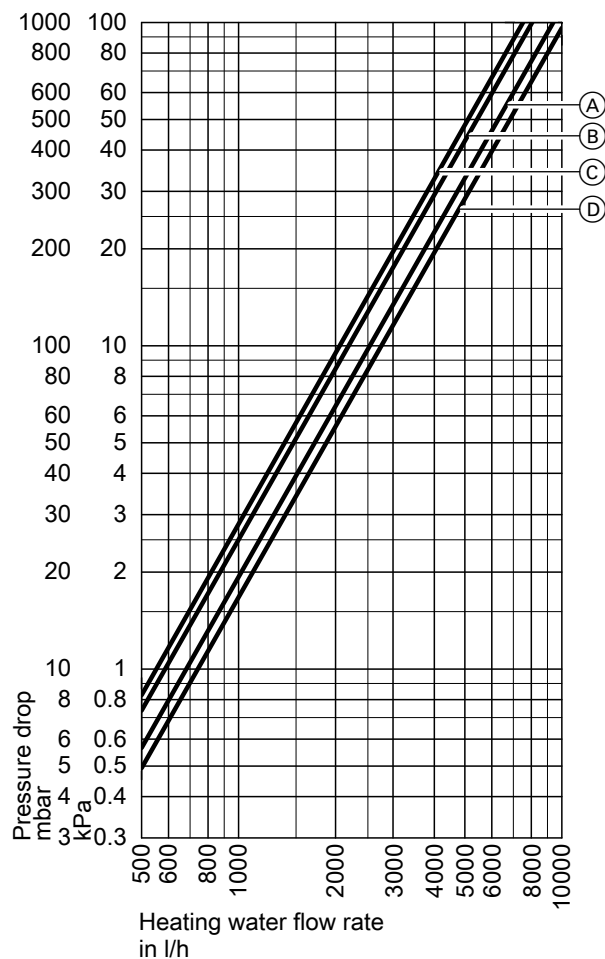
Cylinder capacity	l	300	400	500	750 <sup>*2</sup>	950 <sup>*2</sup>
Draw-off rate	l/min	15	15	15	15	15
Drawable water volume	l	110	120	220	330	420
Water at t = 60 °C (constant)						

### Heat-up time

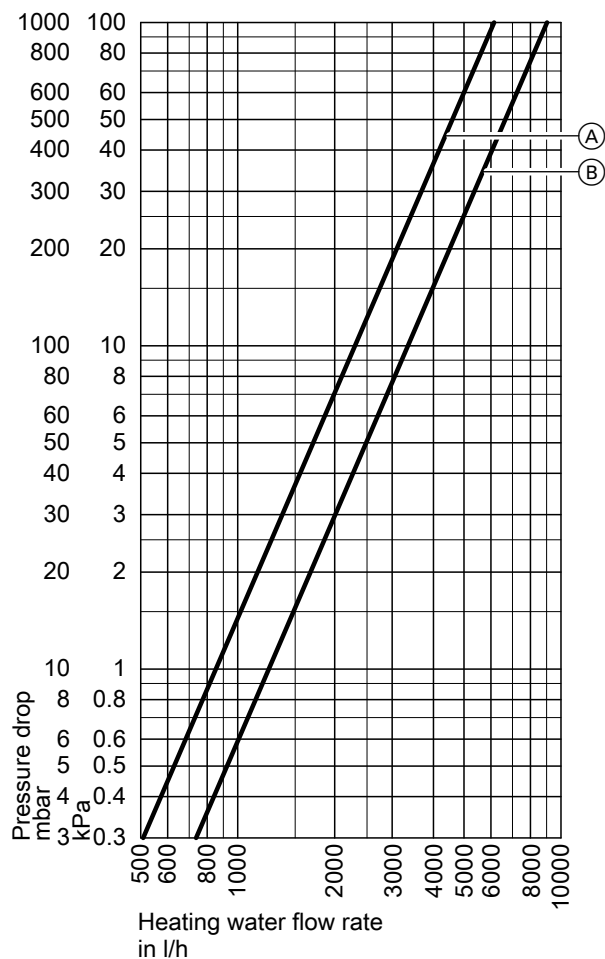
The specified heat-up times will be achieved when the maximum continuous output of the DHW cylinder is made available at the relevant heating water flow temperature and when DHW is heated from 10 to 60 °C.

Cylinder capacity	l	300	400	500	750 <sup>*2</sup>	950 <sup>*2</sup>
Heat-up time at heating water flow temperature						
90 °C	min	16	17	19	17	18
80 °C	min	22	23	24	21	22
70 °C	min	30	36	37	26	28

### Pressure drop on the heating water side



- (A) Cylinder capacity 300 l (upper indirect coil)
- (B) Cylinder capacity 300 l (lower indirect coil)
- (C) Cylinder capacity 500 l (lower indirect coil)
- (D) Cylinder capacity 400 l (lower indirect coil)

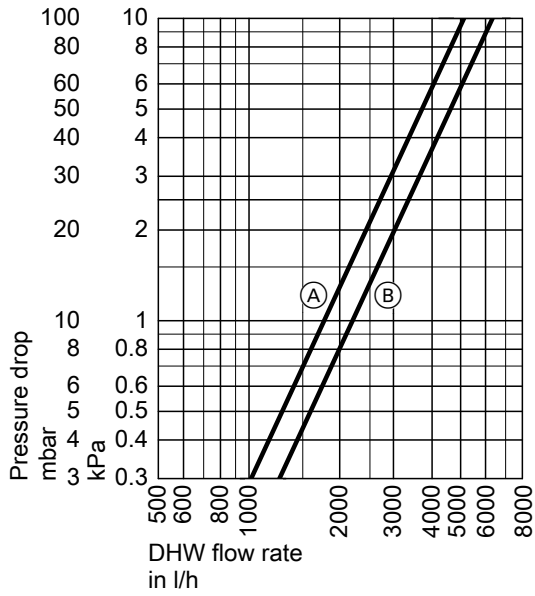


- (A) Cylinder capacity 750 and 950 l (upper indirect coil)
- (B) Cylinder capacity 750 and 950 l (lower indirect coil)

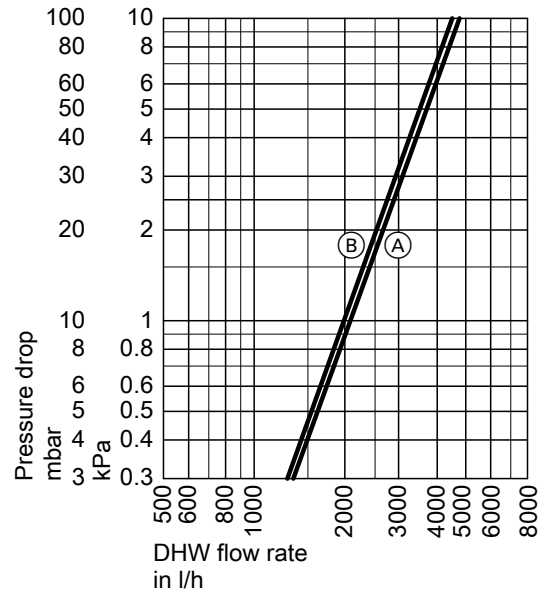
<sup>\*2</sup> Values determined by calculation.

## DHW cylinders (cont.)

### Pressure drop on the DHW side



- (A) Cylinder capacity 300 l
- (B) Cylinder capacity 400 and 500 l



- (A) Cylinder capacity 750 l
- (B) Cylinder capacity 950 l

### 7.3 Vitocell 100-V, type CVW

For DHW heating in conjunction with heat pumps up to 17 kW and solar collectors; also suitable for boilers and district heating systems

Suitable for the following systems:

- DHW temperature up to **95 °C**
- Heating water flow temperature up to **110 °C**

- Solar flow temperature up to **140 °C**
- Operating pressure on the **heating water side** up to **10 bar (1.0 MPa)**
- Operating pressure on the **solar side** up to **10 bar (1.0 MPa)**
- Operating pressure on the **DHW side** up to **10 bar (1.0 MPa)**

#### Specification

Type	CVWA					
<b>Cylinder capacity (AT: Actual water capacity)</b>	I	<b>300</b>	<b>390</b>	<b>500</b>		
<b>Heating water capacity</b>	I	22	27	40		
<b>Gross volume</b>	I	322	417	540		
<b>DIN registration no.</b>		—	9W173-13MC/E	—		
<b>Continuous output</b> for DHW heating from <b>10 to 45 °C</b> and a <b>heating water</b> flow temperature of ... at the heating water flow rate stated below						
90 °C	kW	85	98	118		
	l/h	2093	2422	2896		
80 °C	kW	71	82	99		
	l/h	1749	2027	2428		
70 °C	kW	57	66	79		
	l/h	1399	1623	1950		
60 °C	kW	42	49	59		
	l/h	1033	1202	1451		
50 °C	kW	25	29	36		
	l/h	617	723	881		
<b>Continuous output</b> for DHW heating from <b>10 to 60°C</b> and a <b>heating water</b> flow temperature of ... at the heating water flow rate stated below						
90 °C	kW	73	85	102		
	l/h	1255	1458	1754		
80 °C	kW	58	67	81		
	l/h	995	1159	1399		
70 °C	kW	41	48	59		
	l/h	710	830	1008		
<b>Heating water flow rate</b> for the stated continuous outputs		m <sup>3</sup> /h	3.0	3.0	3.0	
<b>Draw-off rate</b>		l/min	15	15	15	
<b>Drawable water volume</b> without reheating						
– Cylinder content heated to 45 °C Water at t = 45 °C (constant)		I	210	285	350	
– Cylinder content heated to 55 °C Water at t = 55 °C (constant)		I	210	285	350	
<b>Heat-up time</b> if connected to a heat pump with 16 kW rated heating output and a heating water flow temperature of 55 or 65 °C						
– For DHW heating from 10 to 45 °C		min	50	60	66	
– For DHW heating from 10 to 55 °C		min	60	76	85	
<b>Max. connectable heat pump output</b> at 65 °C heating water flow and 55 °C DHW temperature and the specified heating water flow rate		kW	12	15	17	
<b>Max. aperture area that can be connected to the solar heat exchanger set (accessories)</b>						
– Vitosol-T		m <sup>2</sup>	—	6	6	
– Vitosol-F		m <sup>2</sup>	—	11.5	11.5	
<b>Performance factor N<sub>L</sub></b> in conjunction with a heat pump						
Cylinder storage temperature		45 °C	1.7	2.5	3.5	
		50 °C	1.9	2.8	3.9	
<b>Standby heat loss</b>		kWh/24 h	1.65	1.80	1.90	
<b>Dimensions</b>						
Length (∅)						
– With thermal insulation		a	mm	667	859	859
– Excl. thermal insulation			mm	—	650	650
Total width						
– With thermal insulation		b	mm	744	923	923
– Excl. thermal insulation			mm	—	881	881
Height						
– With thermal insulation		c	mm	1734	1624	1948
– Excl. thermal insulation			mm	—	1522	1844
Height when tilted						
– Incl. thermal insulation			mm	1825	—	—
– Excl. thermal insulation			mm	—	1550	1860
<b>Entire weight</b> incl. thermal insulation		kg	180	190	200	

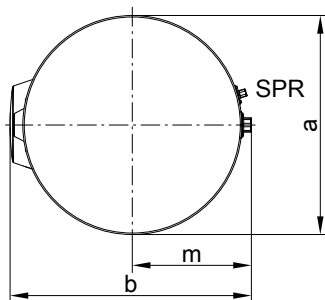
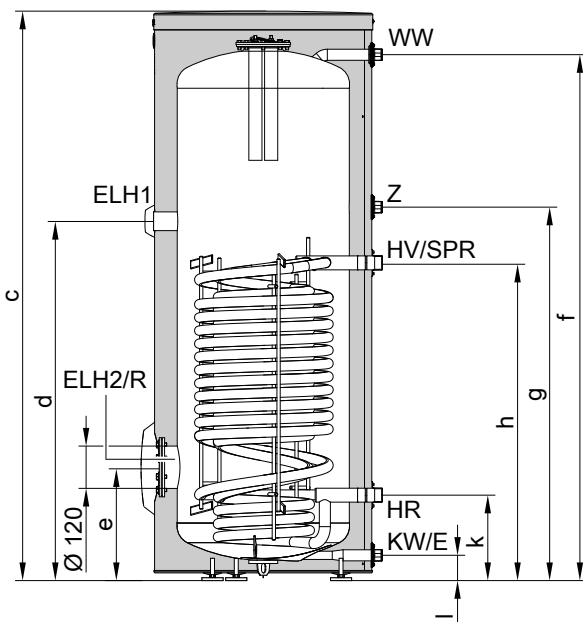
## DHW cylinders (cont.)

Type	CVWA		
	300	390	500
<b>Cylinder capacity</b> (AT: Actual water capacity)	l		
<b>Heating surface</b>	m <sup>2</sup>	3.0	4.0
<b>Connections</b>			
Heating water flow and return (male thread)	R	1¼	1¼
Cold water, DHW (male thread)	R	1	1
Solar heat exchanger set (male thread)	R	—	¾
DHW circulation (male thread)	R	¾	¾
Immersion heater (female thread)	Rp	1½	1½
<b>Energy efficiency class</b>		B	B

### Information regarding continuous output

When designing systems with the specified or calculated continuous output, select a matching circulation pump. The stated continuous output is achieved only if the rated boiler heating output is  $\geq$  continuous output.

### 300 litre capacity



### Dimensions

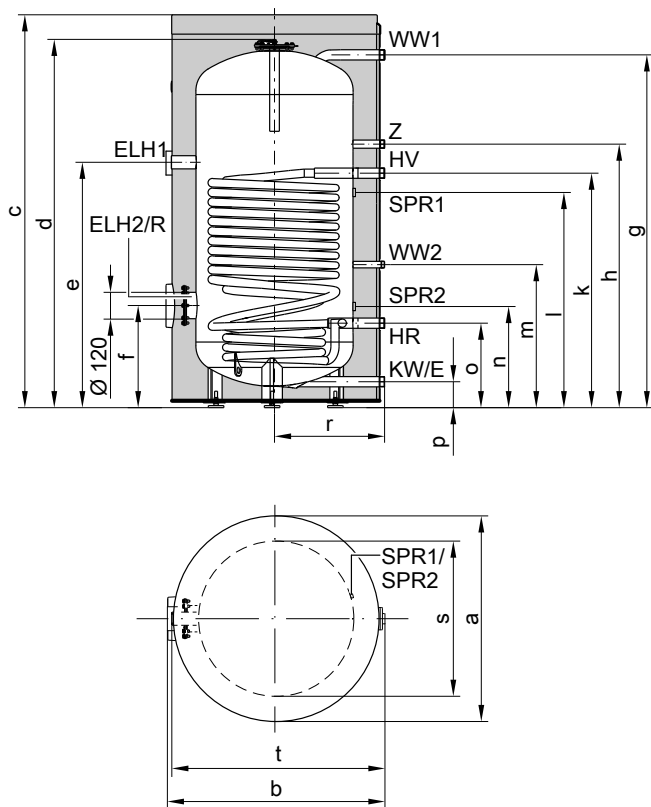
Cylinder capacity	l	300
Length (∅)	a	mm
Width	b	mm
Height	c	mm
	d	mm
	e	mm
	f	mm
	g	mm
	h	mm
	k	mm
	l	mm
	m	mm

- E Drain outlet
- ELH1 Connector for immersion heater
- ELH2 Flanged aperture for immersion heater
- HR Heating water return
- HV Heating water flow
- KW Cold water
- R Inspection and cleaning aperture with flange cover
- SPR Sensor well for cylinder temperature sensor or temperature controller (internal diameter 16 mm)
- WW DHW
- Z DHW circulation

5822440

## DHW cylinders (cont.)

390 and 500 l capacity



### Dimensions

Cylinder capacity		l	390	500
Length (∅)	a	mm	859	859
Width	b	mm	923	923
Height	c	mm	1624	1948
	d	mm	1522	1844
	e	mm	1000	1307
	f	mm	403	442
	g	mm	1439	1765
	h	mm	1070	1370
	k	mm	950	1250
	l	mm	816	1116
	m	mm	572	572
	n	mm	366	396
	o	mm	330	330
	p	mm	88	88
	r	mm	455	455
	s	mm	650	650
	t	mm	881	881

### Performance factor $N_L$

To DIN 4708

Cylinder storage temperature  $T_{cyl}$  = cold water inlet temperature + 50 K +5 K/-0 K

- E Drain outlet
- ELH1 Connector for immersion heater
- ELH2 Flanged aperture for immersion heater
- HR Heating water return
- HV Heating water flow
- KW Cold water
- R Inspection and cleaning aperture with flange cover
- SPR1 Clamping device for securing immersion temperature sensors to the cylinder jacket. Fixing point for 3 immersion temperature sensors per clamping device
- SPR2 Clamping device for securing immersion temperature sensors to the cylinder jacket. Fixing point for 3 immersion temperature sensors per clamping device
- WW1 DHW
- WW2 DHW from solar heat exchanger set
- Z DHW circulation

Cylinder capacity	l	300	390	500
<b>Performance factor <math>N_L</math></b>				
at heating water flow temperature				
90 °C		9.5	12.6	16.5
80 °C		8.5	11.3	14.9
70 °C		7.5	10.0	13.3



## DHW cylinders (cont.)

### Information on performance factor $N_L$

The performance factor  $N_L$  depends on the cylinder storage temperature  $T_{cyl}$ .

#### Standard values

- $T_{cyl} = 60\text{ °C} \rightarrow 1.0 \times N_L$
- $T_{cyl} = 55\text{ °C} \rightarrow 0.75 \times N_L$
- $T_{cyl} = 50\text{ °C} \rightarrow 0.55 \times N_L$
- $T_{cyl} = 45\text{ °C} \rightarrow 0.3 \times N_L$

### Peak output (over 10 minutes)

Relative to performance factor  $N_L$   
DHW heating from 10 to 45 °C

Cylinder capacity	l	300	390	500
<b>Peak output</b>				
at heating water flow temperature				
90 °C	l/10 min	415	540	690
80 °C	l/10 min	400	521	667
70 °C	l/10 min	357	455	596

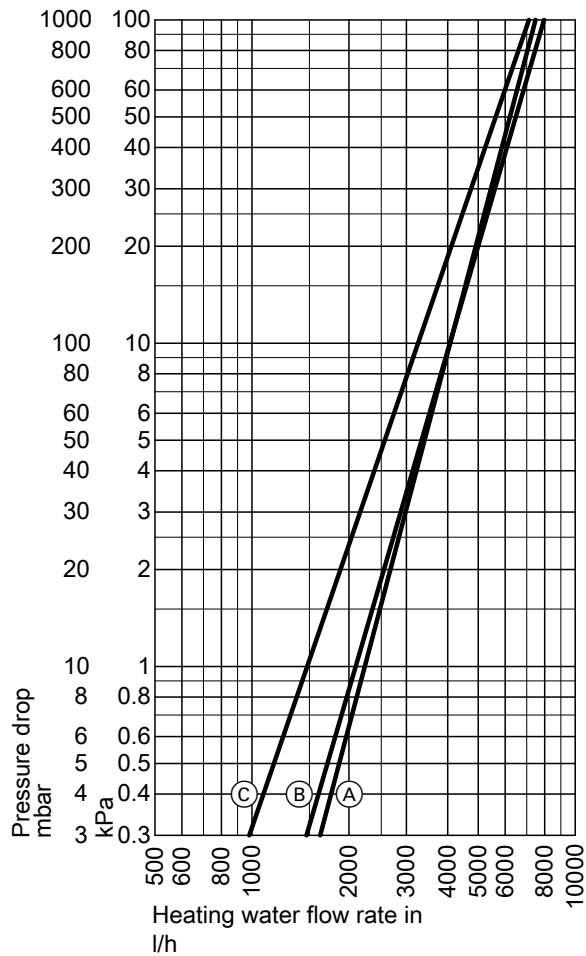
### Max. draw-off rate (over 10 minutes)

Relative to performance factor  $N_L$   
With reheating  
DHW heating from 10 to 45 °C

Cylinder capacity	l	300	390	500
<b>Max. draw-off rate</b>				
at heating water flow temperature				
90 °C	l/min	41	54	69
80 °C	l/min	40	52	66
70 °C	l/min	35	46	59

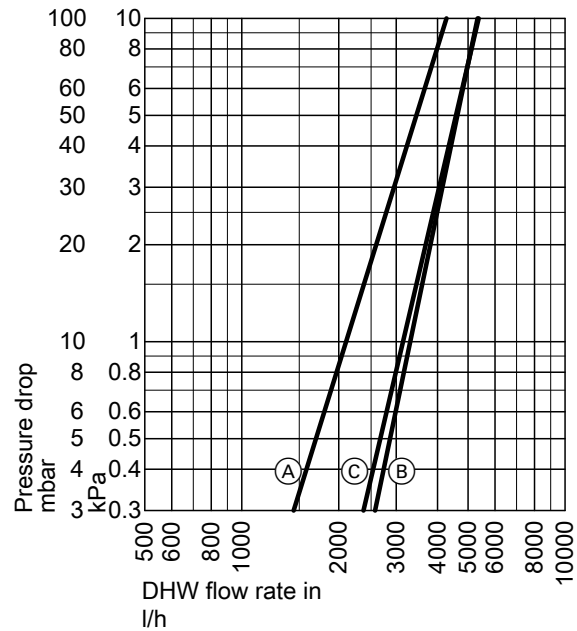
## DHW cylinders (cont.)

### Pressure drop on the heating water side



- (A) Cylinder capacity 300 l
- (B) Cylinder capacity 390 l
- (C) Cylinder capacity 500 l

### Pressure drop on the DHW side



- (A) Cylinder capacity 300 l
- (B) Cylinder capacity 390 l
- (C) Cylinder capacity 500 l

## Solar heat exchanger set

### Part no. 7186663

For the connection of solar collectors to the Vitocell 100-V, type CVWA (390 and 500 l capacity)  
Suitable for systems to DIN 4753. Total water hardness of up to 20 °dH (3.6 mol/m<sup>3</sup>)

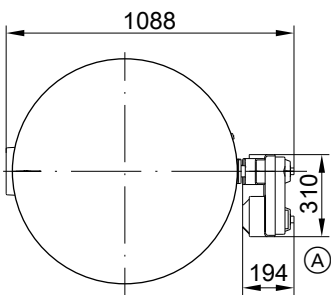
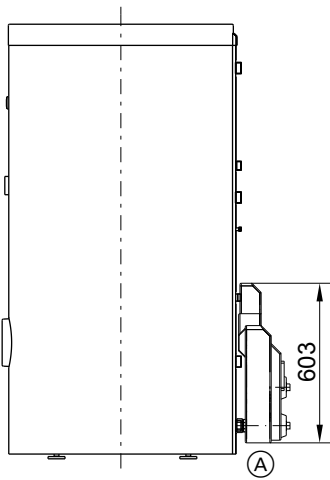
Max. collector surface area that can be connected:

- 11.5 m<sup>2</sup> flat-plate collectors
- 6 m<sup>2</sup> tube collectors

### Specification

<b>Permissible temperatures</b>	
Solar side	140 °C
Heating water side	110 °C
DHW side	
– For boiler operation	95 °C
– For solar operation	60 °C
<b>Permissible operating pressure</b>	
Solar side, heating and DHW side	10 bar (1.0 MPa)
<b>Test pressure</b>	
Solar side, heating and DHW side	13 bar (1.3 MPa)
<b>Minimum wall clearance</b>	
For installation of the solar heat exchanger set	350 mm
<b>Circulation pump</b>	
Power supply	230 V/50 Hz
IP rating	IP 42

## DHW cylinders (cont.)



Ⓐ Solar heat exchanger set

## DHW cylinders (cont.)

### 7.4 Vitocell 300-B, type EVBA-A

For DHW heating in conjunction with boilers and solar collectors for dual mode operation.

Suitable for the following systems:

- DHW temperature up to **95 °C**
- Heating water flow temperature up to **160 °C**

- Solar flow temperature up to **160 °C**
- Operating pressure on the heating water side up to **10 bar (1 MPa)**
- Operating pressure on the solar side up to **10 bar (1 MPa)**
- Operating pressure on the DHW side up to **10 bar (1 MPa)**

Type	EVBA-A		EVBA-A			
Cylinder capacity (AT: Actual water capacity)	300		500			
<b>Heating water capacity</b>						
– Upper indirect coil	l	6.7	10.0			
– Lower indirect coil	l	11.0	12.9			
<b>Gross volume</b>	l	317.7	522.9			
<b>DIN registration number</b>	Applied for					
<b>Internal indirect coil</b>		upper	lower	upper	lower	
<b>Continuous output</b>						
For DHW heating from <b>10 to 45 °C</b> and a heating water flow temperature of ... at the heating water flow rate stated below	90 °C	kW l/h	43 1058	61 1501	57 1409	69 1688
	80 °C	kW l/h	35 861	51 1252	48 1175	59 1414
	70 °C	kW l/h	28 701	41 998	38 936	46 1128
	60 °C	kW l/h	20 513	30 733	28 687	34 830
	50 °C	kW l/h	12 302	18 434	16 406	20 491
<b>Continuous output</b>						
For DHW heating from <b>10 to 60 °C</b> and a heating water flow temperature of ... at the heating water flow rate stated below	90 °C	kW l/h	36 627	52 894	49 838	59 1011
	80 °C	kW l/h	29 494	41 706	38 662	46 799
	70 °C	kW l/h	20 349	29 501	27 469	33 568
<b>Heating water flow rate</b> for the stated continuous outputs	m <sup>3</sup> /h		3.0	3.0	3.0	3.0
<b>Max. connectable heat pump output</b>	kW			8.0		10.0
At a heating water flow temperature of 55 °C and a DHW temperature of 45 °C For the specified heating water flow rate (both indirect coils connected in series)						
<b>Standby heat loss</b>	kWh/24 h			1.06		1.37
<b>Standby capacity V<sub>aux</sub></b>	l			139		235
<b>Solar capacity V<sub>sol</sub></b>	l			161		265
<b>Dimensions</b>						
Length a (Ø)	– Incl. thermal insulation	mm		667		1022
	– Excl. thermal insulation	mm		–		715
Width b	– Incl. thermal insulation	mm		744		1084
	– Excl. thermal insulation	mm		–		954
Height c	– Incl. thermal insulation	mm		1734		1852
	– Excl. thermal insulation	mm		–		1667
Height when tilted	– Incl. thermal insulation	mm		1825		–
	– Excl. thermal insulation	mm		–		1690
<b>Weight incl. thermal insulation</b>	kg			113		123
<b>Heating surface</b>	m <sup>2</sup>		0.9	1.5	1.3	1.7
<b>Connections (male thread)</b>						
Indirect coils	R			1		1
Cold water, DHW	R			1		1¼
DHW circulation	R			1		1
<b>Energy efficiency class</b>			A		A	

#### Information regarding the upper indirect coil

The upper indirect coil is designed for connection to a heat generator.

#### Information regarding the lower indirect coil

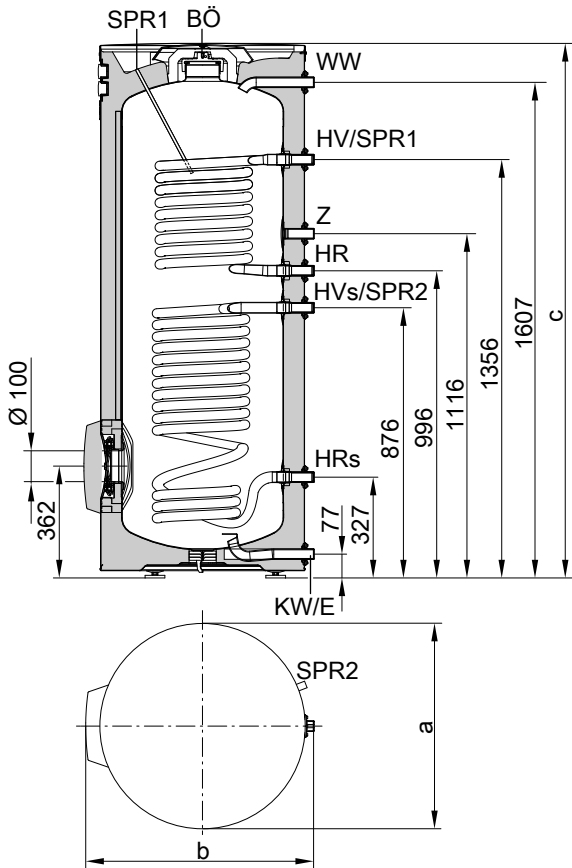
The lower indirect coil is designed for connection to solar collectors. To install the cylinder temperature sensor, use the threaded elbow with sensor well included in standard delivery.

#### Information regarding continuous output

When designing systems with the specified or calculated continuous output, select a matching circulation pump. The stated continuous output is achieved only if rated boiler heating output ≥ continuous output.

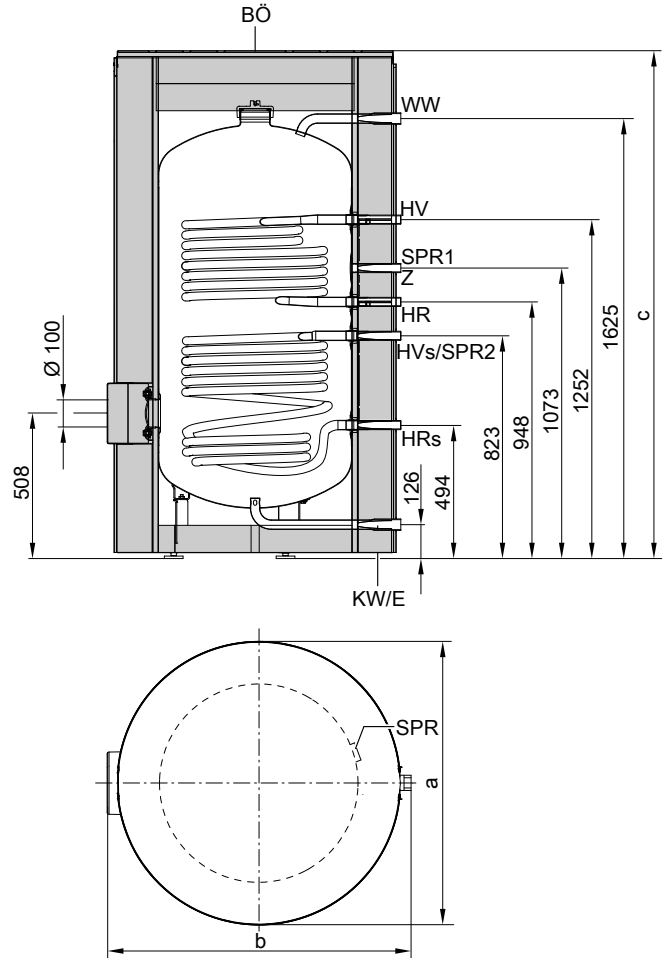
## DHW cylinders (cont.)

300 l capacity



- BÖ Inspection and cleaning aperture
- E Drain
- HR Heating water return
- HR<sub>s</sub> Heating water return, solar thermal system
- HV Heating water flow
- HV<sub>s</sub> Heating water flow, solar thermal system
- KW Cold water
- SPR1 Sensor well for cylinder temperature sensor of cylinder temperature controller (internal diameter 7 mm)
- SPR2 Sensor well for cylinder temperature sensor/thermometer sensor (internal diameter 17 mm)
- WW DHW
- Z DHW circulation

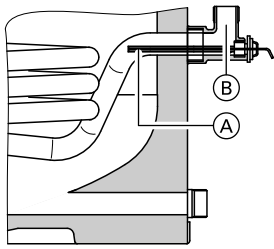
500 l capacity



- BÖ Inspection and cleaning aperture
- E Drain
- HR Heating water return
- HR<sub>s</sub> Heating water return, solar thermal system
- HV Heating water flow
- HV<sub>s</sub> Heating water flow, solar thermal system
- KW Cold water
- SPR1 Cylinder temperature controller cylinder temperature sensor (clamping system for fixing immersion temperature sensors to the cylinder jacket)
- SPR2 Temperature sensors/thermometer sensors (clamping system for securing immersion temperature sensors to the cylinder jacket)
- WW DHW
- Z DHW circulation

## DHW cylinders (cont.)

### Cylinder temperature sensor for solar operation



- (A) Cylinder temperature sensor (standard delivery of solar control unit)
- (B) Threaded elbow with sensor well (standard delivery)

Arrangement of cylinder temperature sensor in the heating water return HR<sub>s</sub>

#### Performance factor $N_L$

To DIN 4708 – upper indirect coil.

Cylinder storage temperature  $T_{cyl} = \text{cold water inlet temperature} + 50 \text{ K}^{+5 \text{ K}/-0 \text{ K}}$

Cylinder capacity	l	300	500
<b>Performance factor <math>N_L</math> at heating water flow temperature</b>			
90 °C		2.4	7.0
80 °C		2.2	6.5
70 °C		2.0	6.0

#### Information regarding performance factor $N_L$

The performance factor  $N_L$  depends on the cylinder storage temperature  $T_{cyl}$ .

##### Standard values

- $T_{cyl} = 60 \text{ °C} \rightarrow 1.0 \times N_L$
- $T_{cyl} = 55 \text{ °C} \rightarrow 0.75 \times N_L$
- $T_{cyl} = 50 \text{ °C} \rightarrow 0.55 \times N_L$
- $T_{cyl} = 45 \text{ °C} \rightarrow 0.3 \times N_L$

#### Peak output (over 10 minutes)

Relative to the performance factor  $N_L$ .

DHW heating from 10 to 45 °C.

Cylinder capacity	l	300	500
<b>Peak output (l/10 min) at heating water flow temperature</b>			
90 °C		211	404
80 °C		203	333
70 °C		195	319

#### Max. draw-off rate (over 10 minutes)

Relative to the performance factor  $N_L$ .

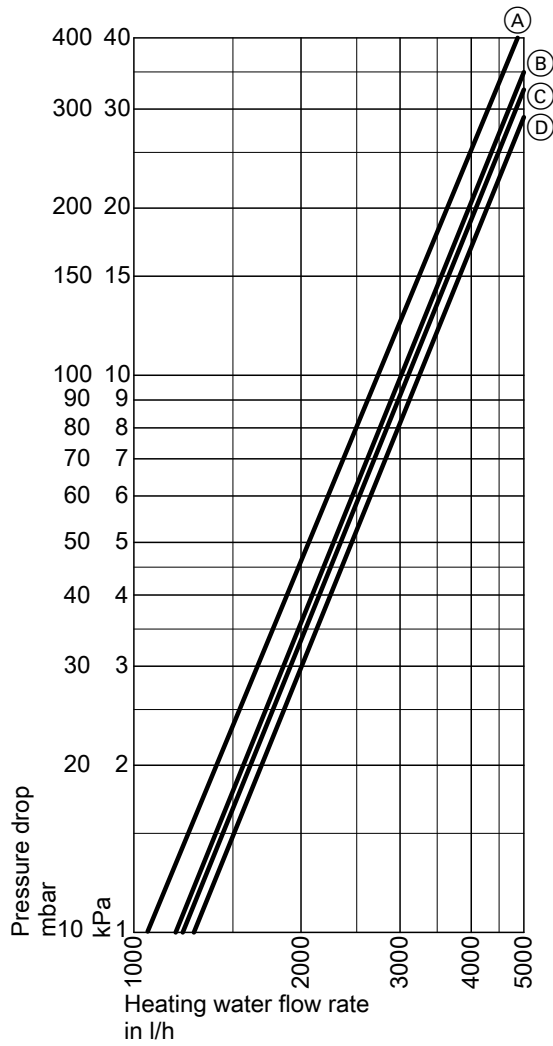
With reheating.

DHW heating from 10 to 45 °C.

Cylinder capacity	l	300	500
<b>Max. draw-off rate (l/min) at heating water flow temperature</b>			
90 °C		21.1	40.4
80 °C		20.3	33.3
70 °C		19.5	31.9

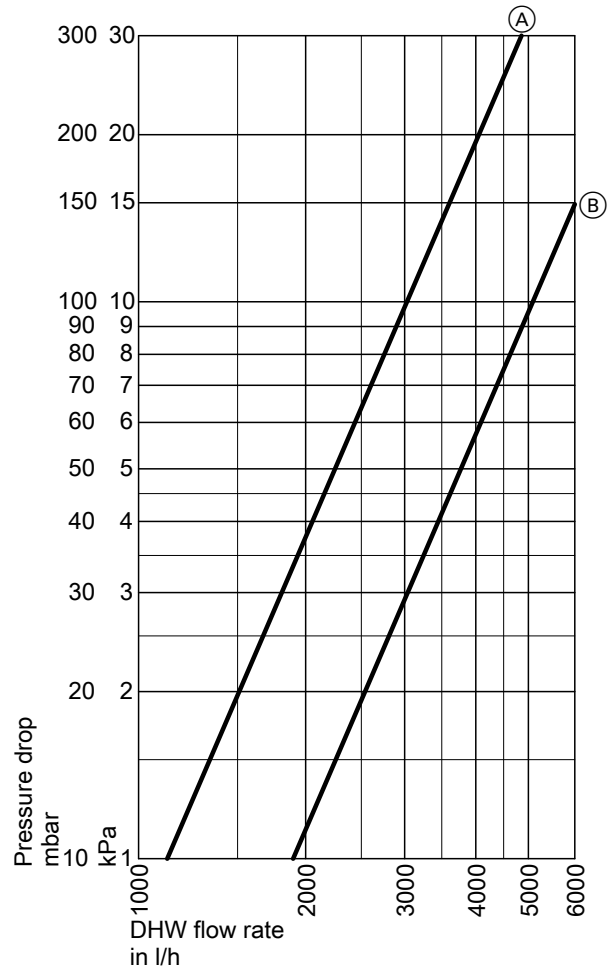
## DHW cylinders (cont.)

### Pressure drops



Pressure drop on the heating water side

- (A) Cylinder capacity 300 l (lower indirect coil)
- (B) Cylinder capacity 300 l (upper indirect coil)
- (C) Cylinder capacity 500 l (lower indirect coil)
- (D) Cylinder capacity 500 l (upper indirect coil)



Pressure drop on the DHW side

- (A) Cylinder capacity 300 l
- (B) Cylinder capacity 500 l

## 7.5 Vitocell 140-E, type SEIA/SEIC and Vitocell 160-E, type SESA

- Vitotrans for hygienic DHW heating in accordance with the instantaneous water heater principle available as an accessory. See page 125.
- Connection set with Solar-Divicon for mounting on the Vitocell, available as an accessory (included in standard delivery for Vitocell 140-E, 400 l). See page 88.

**For storing heating water** in conjunction with solar collectors, heat pumps and solid fuel boilers

Suitable for the following systems:

- Heating water flow temperature up to **110 °C**
- Solar flow temperature up to **140 °C**
- Operating pressure **on the heating water side up to 3 bar (0.3 MPa)**
- Operating pressure **on the solar side up to 10 bar (1.0 MPa)**

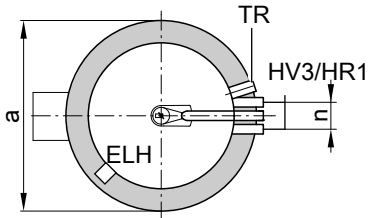
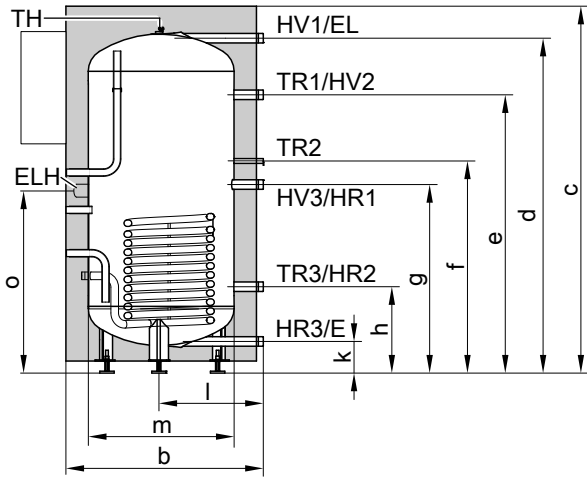
### Specification

			Vitocell 140-E				Vitocell 160-E	
Type			SEIA	SEIC	SEIC	SEIC	SESB	SESB
<b>Cylinder capacity</b>	l		<b>400</b>	<b>600</b>	<b>750</b>	<b>950</b>	<b>750</b>	<b>950</b>
<b>(AT: Actual water content)</b>								
<b>Solar indirect coil capacity</b>	l		10.5	12	12	14	12	14
<b>Heating water capacity</b>	l		389.5	588	738	936	738	936
<b>DIN registration number</b>			0264/07E				0265/07E	
<b>Dimensions</b>								
Length (∅)								
– Incl. thermal insulation	a	mm	859	1064	1064	1064	1064	1064
– Excl. thermal insulation		mm	650	790	790	790	790	790
Width								
– Incl. thermal insulation	b	mm	1089	1119	1119	1119	1119	1119
– Excl. thermal insulation		mm	863	1042	1042	1042	1042	1042
Height								
– Incl. thermal insulation	c	mm	1617	1645	1900	2200	1900	2200
– Excl. thermal insulation		mm	1506	1520	1814	2120	1814	2120
Height when tilted								
– Excl. thermal insulation and adjustable feet		mm	1550	1630	1890	2195	1890	2195
<b>Weight</b>								
– Incl. thermal insulation		kg	154	135	159	182	168	193
– Excl. thermal insulation		kg	137	112	131	150	140	161
<b>Connections (male thread)</b>								
Heating water flow and return	R		1¼	2	2	2	2	2
Heating water flow and return (solar)	G		1	1	1	1	1	1
<b>Solar indirect coil</b>								
Heating surface		m <sup>2</sup>	1.5	1.8	1.8	2.1	1.8	2.1
<b>Standby heat loss</b>		kWh/24 h	1.80	2.10	2.25	2.45	2.25	2.45
<b>Standby capacity V<sub>aux</sub></b>		l	210	230	380	453	380	453
<b>Solar capacity V<sub>sol</sub></b>		l	190	370	370	497	370	497
<b>Energy efficiency class</b>			B	—	—	—	—	—



## DHW cylinders (cont.)

Vitocell 140-E, type SEIA, 400 l



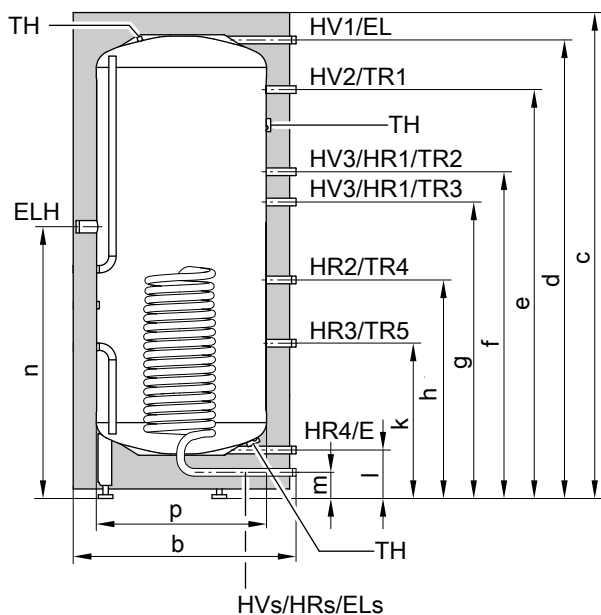
### Dimensions

Cylinder capacity	l	400	
Length (∅)	a	mm	859
Width			
– Without Solar-Divicon	b	mm	898
– With Solar-Divicon	b	mm	1089
Height	c	mm	1617
	d	mm	1458
	e	mm	1206
	f	mm	911
	g	mm	806
	h	mm	351
	k	mm	107
	l	mm	455
∅ excl. thermal insulation	m	mm	∅ 650
	n	mm	120
	o	mm	785

- E Drain
- EL Air vent valve
- HR Heating water return
- HV Heating water flow
- TH Retainer for thermometer sensor or additional sensor (clamping bracket)
- TR Sensor well for cylinder temperature sensor/temperature controller (internal diameter 16 mm)
- ELH Female connection for immersion heater EHE (Rp 1½)

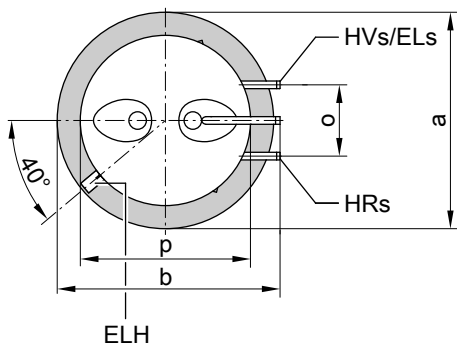
## DHW cylinders (cont.)

Vitocell 140-E, type SEIC, 600, 750 and 950 l



### Dimensions

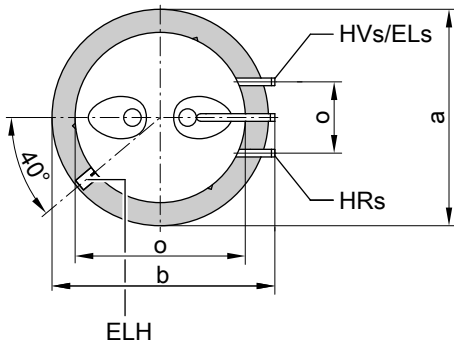
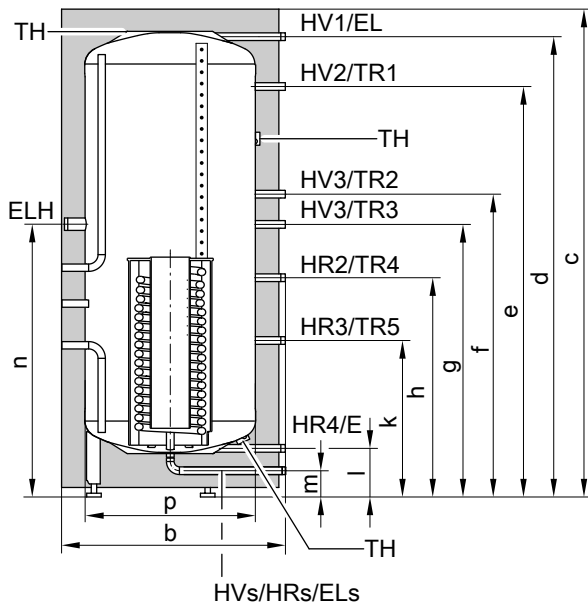
Cylinder capacity	l	600	750	950
Length (∅)	a mm	1064	1064	1064
Width	b mm	1119	1119	1119
Height	c mm	1645	1900	2200
	d mm	1497	1777	2083
	e mm	1296	1559	1864
	f mm	926	1180	1300
	g mm	785	1039	1159
	h mm	598	676	752
	k mm	355	386	386
	l mm	155	155	155
	m mm	75	75	75
	n mm	910	1010	1033
	o mm	370	370	370
Length (∅) excl. thermal insulation	p mm	790	790	790



- E Drain
- EL Air vent valve
- EL<sub>s</sub> Solar indirect coil, air vent valve
- ELH Female connection for immersion heater EHE (Rp 1½)
- HR Heating water return
- HR<sub>s</sub> Heating water return, solar thermal system
- HV Heating water flow
- HV<sub>s</sub> Heating water flow, solar thermal system
- TH Retainer for thermometer sensor or additional sensor (clamping bracket)
- TR Clamping system for securing immersion temperature sensors to the cylinder jacket. Retainers for 3 immersion temperature sensors per clamping system

## DHW cylinders (cont.)

Vitocell 160-E, type SESB, 750 and 950 l



### Dimensions

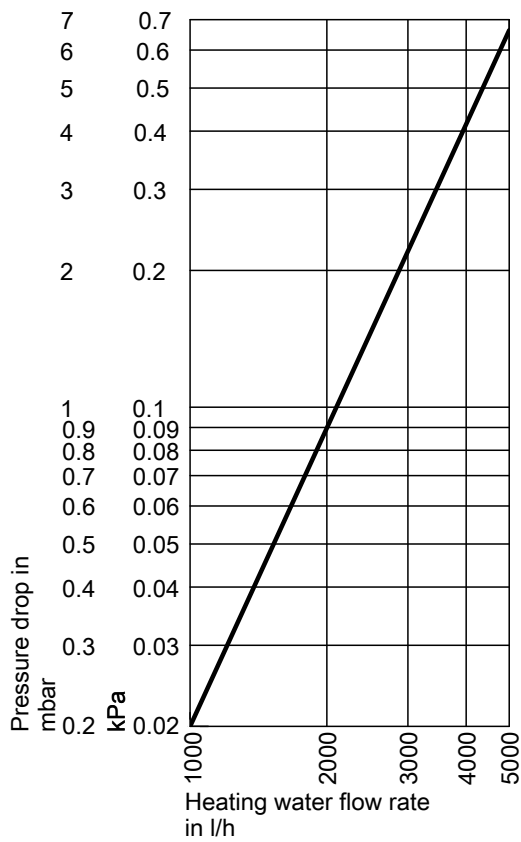
Cylinder capacity		l	750	950
Length (∅)	a	mm	1064	1064
Width	b	mm	1119	1119
Height	c	mm	1900	2200
	d	mm	1777	2083
	e	mm	1559	1864
	f	mm	1180	1300
	g	mm	1039	1159
	h	mm	676	752
	k	mm	386	386
	l	mm	155	155
	m	mm	75	75
	n	mm	1010	1033
	o	mm	370	370
Length (∅) excl. thermal insulation	p	mm	790	790

- E Drain
- EL Air vent valve
- EL<sub>s</sub> Solar indirect coil, air vent valve
- ELH Female connection for immersion heater EHE (Rp 1½)
- HR Heating water return
- HR<sub>s</sub> Heating water return, solar thermal system
- HV Heating water flow
- HV<sub>s</sub> Heating water flow, solar thermal system
- TH Retainer for thermometer sensor or additional sensor (clamping bracket)
- TR Clamping system for securing immersion temperature sensors to the cylinder jacket. Retainers for 3 immersion temperature sensors per clamping system

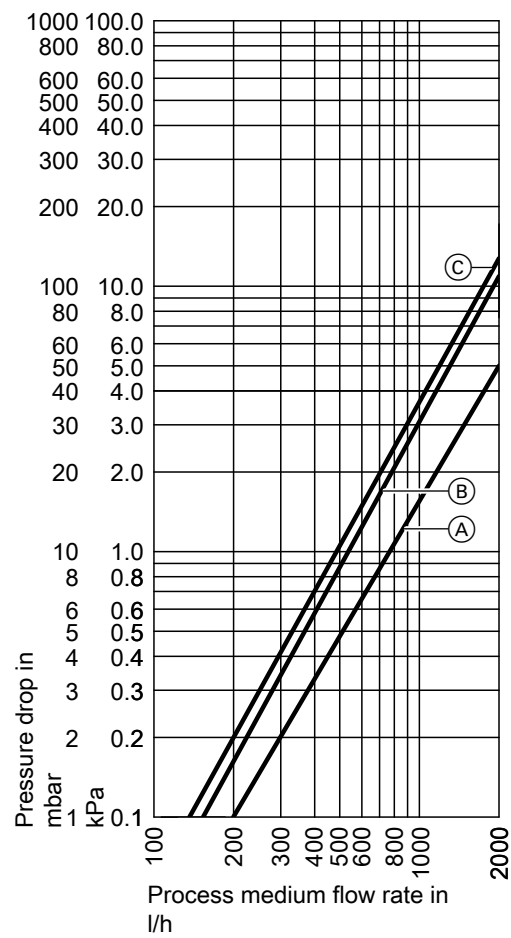
## DHW cylinders (cont.)

### Pressure drops

#### Pressure drop on the heating water side



#### Solar side pressure drop



- Ⓐ Cylinder capacity 400 l
- Ⓑ Cylinder capacity 600 and 750 l
- Ⓒ Cylinder capacity 950 l

## 7.6 Vitocell 340-M, type SVKC and Vitocell 360-M, type SVSB

For storing heating water and providing DHW heating in conjunction with solar collectors, heat pumps and solid fuel boilers

Suitable for the following systems:

- DHW temperature up to **95 °C**
- Heating water flow temperature up to **110 °C**
- Solar flow temperature up to **140 °C**
- Operating pressure **on the heating water side** up to **3 bar (0.3 MPa)**

- Operating pressure **on the solar side** up to **10 bar (1.0 MPa)**
- Operating pressure **on the DHW side** up to **10 bar (1.0 MPa)**
- Total water hardness of up to **20 °dH (3.6 mol/m<sup>3</sup>)**

**Note**

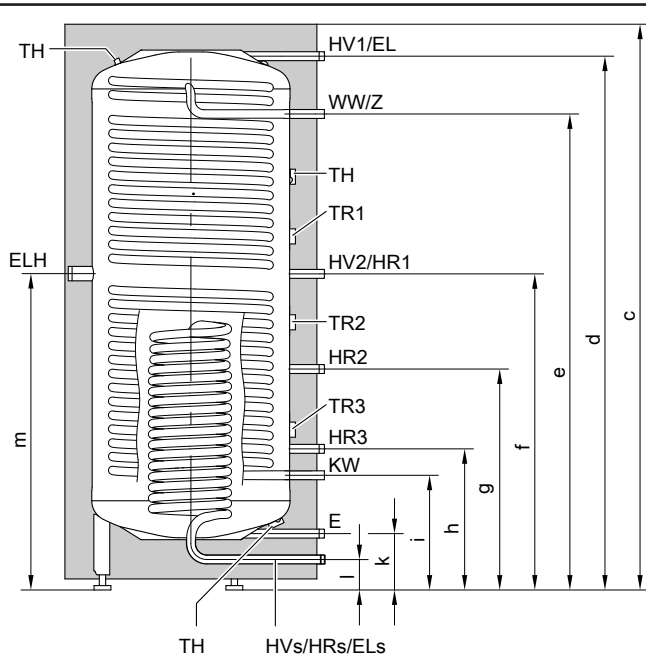
Type SVKA without solar heat exchanger.

**Specification**

Type		SVKC/SVSB	SVKC/SVSB
<b>Cylinder capacity</b> (AT: Actual water capacity)	l	<b>750</b>	<b>950</b>
<b>Solar indirect coil capacity</b>	l	12	14
<b>DHW indirect coil capacity</b>	l	30	30
<b>Heating water capacity</b>	l	708	906
<b>DIN registration number</b> – Vitocell 340-M – Vitocell 360-M		9W262-10MC/E 9W263-10MC/E	
<b>Dimensions</b>			
Length (∅)			
– Incl. thermal insulation	a	mm	1064
– Excl. thermal insulation		mm	790
Width	b	mm	1119
Height			
– Incl. thermal insulation	c	mm	1900
– Excl. thermal insulation		mm	1815
Height when tilted			
– Excl. thermal insulation and adjustable feet		mm	1890
<b>Weight of Vitocell 340-M</b>			
– Incl. thermal insulation		kg	199
– Excl. thermal insulation		kg	171
<b>Weight of Vitocell 360-M</b>			
– Incl. thermal insulation		kg	208
– Excl. thermal insulation		kg	180
<b>Connections (male thread)</b>			
Heating water flow and return		R	1¼
Cold water, DHW		R	1
Heating water flow and return (solar)		G	1
Drain		R	1¼
<b>Solar indirect coil</b>			
Heating surface		m <sup>2</sup>	1.8
<b>DHW indirect coil</b>			
Heating surface		m <sup>2</sup>	6.7
<b>Standby heat loss</b>		kWh/24 h	2.25
<b>Standby capacity V<sub>aux</sub></b>		l	346
<b>Solar capacity V<sub>sol</sub></b>		l	404
<b>Energy efficiency class</b>			—

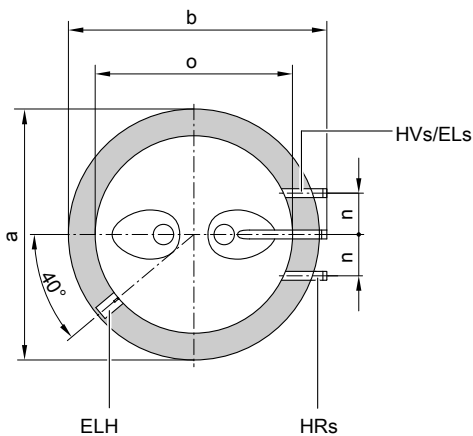
## DHW cylinders (cont.)

### Vitocell 340-M, type SVKC



#### Dimensions

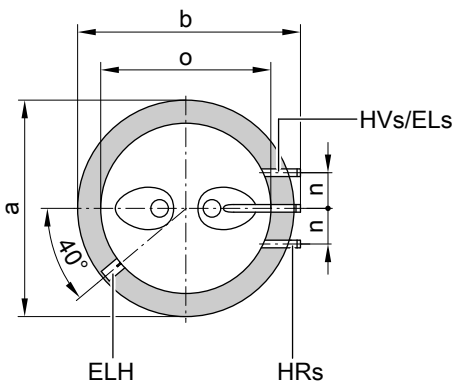
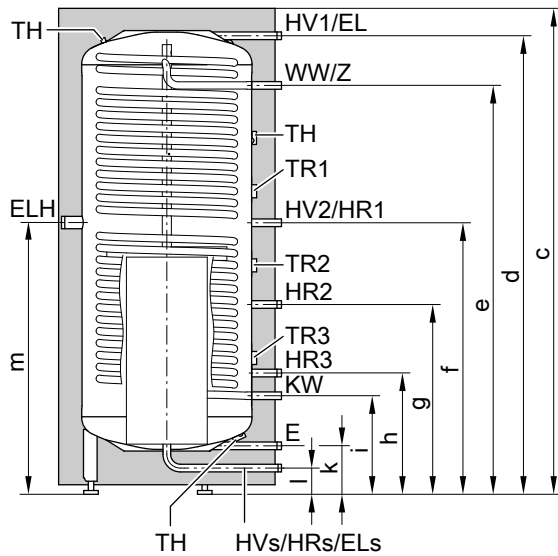
Cylinder capacity		750	950
Length (∅)	a mm	1064	1064
Width	b mm	1119	1119
Height	c mm	1900	2200
	d mm	1787	2093
	e mm	1558	1863
	f mm	1038	1158
	g mm	850	850
	h mm	483	483
	i mm	383	383
	k mm	145	145
	l mm	75	75
	m mm	1009	1135
	n mm	185	185
Length excl. thermal insulation	o mm	790	790



- E Drain outlet
- EL Air vent valve
- EL<sub>s</sub> Solar indirect coil, air vent valve
- ELH Immersion heater (female connection Rp 1½)
- HR Heating water return
- HR<sub>s</sub> Heating water return, solar thermal system
- HV Heating water flow
- HV<sub>s</sub> Heating water flow, solar thermal system
- KW Cold water
- TH Retainer for thermometer sensor or additional sensor (clamping bracket)
- TR Clamping system for fixing immersion temperature sensors to the cylinder jacket. Retainers for 3 immersion temperature sensors per clamping system.
- WW DHW
- Z DHW circulation (threaded DHW circulation fitting, accessories)

## DHW cylinders (cont.)

### Vitocell 360-M, type SVSB



#### Dimensions

Cylinder capacity			750	950
Length (∅)	a	mm	1064	1064
Width	b	mm	1119	1119
Height	c	mm	1900	2200
	d	mm	1787	2093
	e	mm	1558	1863
	f	mm	1038	1158
	g	mm	850	850
	h	mm	483	483
	i	mm	383	383
	k	mm	145	145
	l	mm	75	75
	m	mm	1009	1135
	n	mm	185	185
Length excl. thermal insulation	o	mm	790	790

- E Drain outlet
- EL Air vent valve
- EL<sub>s</sub> Solar indirect coil, air vent valve
- ELH Immersion heater (female connection Rp 1½)
- HR Heating water return
- HR<sub>s</sub> Heating water return, solar thermal system
- HV Heating water flow
- HV<sub>s</sub> Heating water flow, solar thermal system
- KW Cold water
- TH Retainer for thermometer sensor or additional sensor (clamping bracket)
- TR Clamping system for fixing immersion temperature sensors to the cylinder jacket. Retainers for 3 immersion temperature sensors per clamping system.
- WW DHW
- Z DHW circulation (threaded DHW circulation fitting, accessories)

#### Continuous output

- For a heating water flow temperature of 70 °C

Continuous output	kW	15	22	33
For DHW heating from 10 to 45 °C				
– for heating water flow rate (measured via HV <sub>1</sub> /HR <sub>1</sub> )	l/h	368	540	810
	l/h	252	378	610
For DHW heating from 10 to 60 °C				
– for heating water flow rate (measured via HV <sub>1</sub> /HR <sub>1</sub> )	l/h	258	378	567
	l/h	281	457	836

## DHW cylinders (cont.)

### Information regarding continuous output

When engineering systems with the specified or calculated continuous output, factor in a matching circulation pump. The stated continuous output is achieved only if rated boiler heating output is  $\geq$  continuous output.

#### Performance factor $N_L$

- To DIN 4708
- Subject to the heating output delivered by the boiler ( $Q_D$ )
- Cylinder storage temperature  $T_{cyl}$  = cold water inlet temperature + 50 K <sup>+5 K/-0 K</sup>
- 70 °C heating water flow temperature

Cylinder capacity	I	750	950
<b>Performance factor <math>N_L</math></b>			
for $Q_D$			
15 kW		2.00	3.00
18 kW		2.25	3.20
22 kW		2.50	3.50
27 kW		2.75	4.00
33 kW		3.00	4.60

### Information regarding performance factor

The performance factor  $N_L$  depends on the cylinder storage temperature  $T_{cyl}$ .

#### Standard values

- $T_{cyl} = 60\text{ °C} \rightarrow 1.0 \times N_L$
- $T_{cyl} = 55\text{ °C} \rightarrow 0.75 \times N_L$
- $T_{cyl} = 50\text{ °C} \rightarrow 0.55 \times N_L$
- $T_{cyl} = 45\text{ °C} \rightarrow 0.3 \times N_L$

#### Peak output (over 10 minutes)

- Relative to performance factor  $N_L$
- Subject to the heating output delivered by the boiler ( $Q_D$ )
- DHW heating from 10 to 45 °C
- 70 °C heating water flow temperature

Cylinder capacity	I	750	950
<b>Peak output</b>			
for $Q_D$			
15 kW	l/10 min	190	230
18 kW	l/10 min	200	236
22 kW	l/10 min	210	246
27 kW	l/10 min	220	262
33 kW	l/10 min	230	280

#### Max. draw-off rate (over 10 minutes)

- Relative to performance factor  $N_L$
- Subject to the heating output delivered by the boiler ( $Q_D$ )
- With reheating
- DHW heating from 10 to 45 °C
- 70 °C heating water flow temperature

Cylinder capacity	I	750	950
<b>Max. draw-off rate</b>			
for $Q_D$			
15 kW	l/min	19.0	23.0
18 kW	l/min	20.0	23.6
22 kW	l/min	21.0	24.6
27 kW	l/min	22.0	26.2
33 kW	l/min	23.0	28.0

#### Drawable water volume

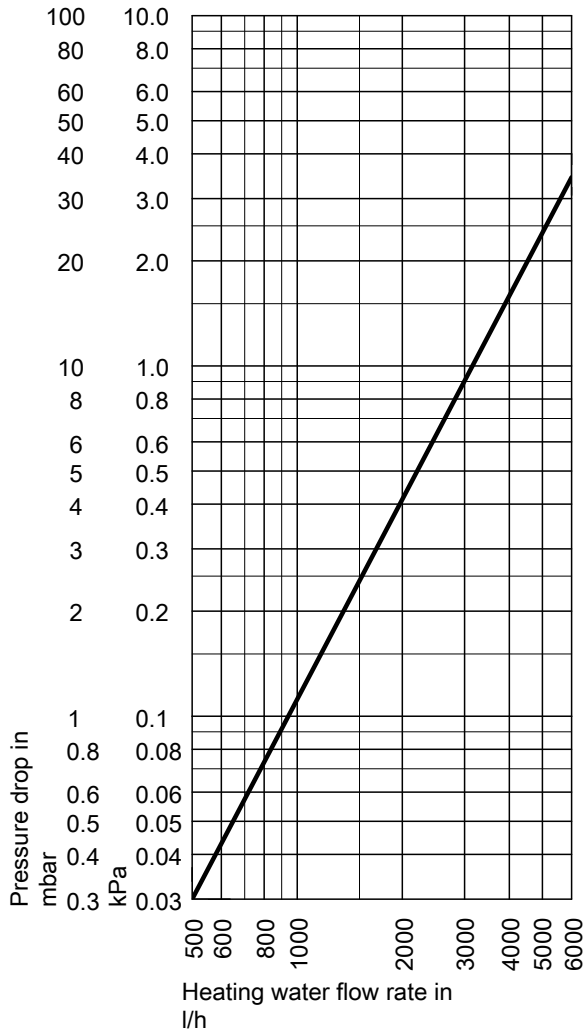
- Cylinder content heated to 60 °C
- Without reheating

Draw-off rate	l/min	10	20
<b>Drawable water volume</b>			
Water with $t = 45\text{ °C}$ (mixed temperature)			
750 l	l	255	190
950 l	l	331	249

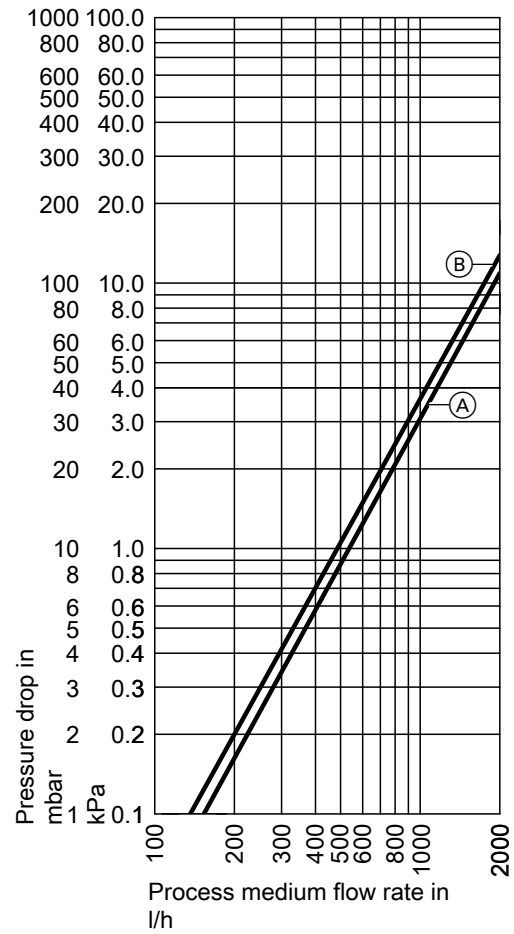


## DHW cylinders (cont.)

Pressure drop on the heating water side



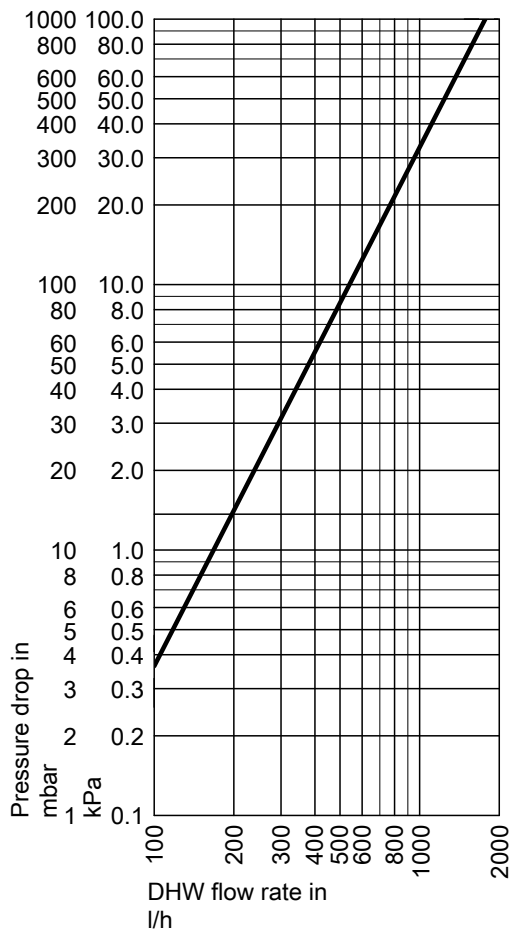
Solar side pressure drop



- (A) Cylinder capacity 750 l
- (B) Cylinder capacity 950 l

## DHW cylinders (cont.)

### Pressure drop on the DHW side



## DHW cylinders (cont.)

### 7.7 Vitocell 100-V, type CVA/CVAA/CVAA-A

For DHW heating in conjunction with boilers and district heating systems; optionally with an electric heater as an accessory for DHW cylinders with 300 and 500 l capacity

- Operating pressure on the heating water side up to 25 bar (2.5 MPa)
- Operating pressure on the DHW side up to 10 bar (1.0 MPa)

Suitable for the following systems:

- DHW temperature up to 95 °C
- Heating water flow temperature up to 160 °C

#### Specification

Type		CVAA-A/CVA		CVAA	CVA	CVAA		
Cylinder capacity (AT: Actual water capacity)	l	160	200	300	500	750	950	
Heating water capacity	l	5.5	5.5	10.0	12.5	29.7	33.1	
Gross volume	l	165.5	205.5	310.0	512.5	779.7	983.1	
DIN registration number		9W241/11–13 MC/E				Applied for		
Continuous output for DHW heating from 10 to 45 °C and a heating water flow temperature of ... at the heating water flow rate stated below	90 °C	kW	40	40	53	70	109	116
		l/h	982	982	1302	1720	2670	2861
	80 °C	kW	32	32	44	58	91	98
		l/h	786	786	1081	1425	2236	2398
	70 °C	kW	25	25	33	45	73	78
		l/h	614	614	811	1106	1794	1926
	60 °C	kW	17	17	23	32	54	58
		l/h	417	417	565	786	1332	1433
	50 °C	kW	9	9	18	24	33	35
		l/h	221	221	442	589	805	869
Continuous output for DHW heating from 10 to 60°C and a heating water flow temperature of ... at the heating water flow rate stated below	90 °C	kW	36	36	45	53	94	101
		l/h	619	619	774	911	1613	1732
	80 °C	kW	28	28	34	44	75	80
		l/h	482	482	584	756	1284	1381
	70 °C	kW	19	19	23	33	54	58
		l/h	327	327	395	567	923	995
Heating water flow rate for the stated continuous outputs	m <sup>3</sup> /h	3.0	3.0	3.0	3.0	3.0	3.0	
Standby heat loss	kWh/24 h	0.97/1.35	1.04/1.46	1.65	1.95	2.28	2.48	
<b>Dimensions</b>								
Length (∅)								
– With thermal insulation	a	mm	581	581	667	859	1062	1062
		mm	—	—	—	650	790	790
Width								
– With thermal insulation	b	mm	605	605	744	923	1110	1110
		mm	—	—	—	837	1005	1005
Height								
– With thermal insulation	c	mm	1189	1409	1734	1948	1897	2197
		mm	—	—	—	1844	1817	2123
Height when tilted								
– With thermal insulation		mm	1260	1460	1825	—	—	—
		mm	—	—	—	1860	1980	2286
Entire weight incl. thermal insulation	kg	86	97	156	181	301	363	
Heating surface	m <sup>2</sup>	1.0	1.0	1.5	1.9	3.5	3.9	
<b>Connections (male thread)</b>								
Heating water flow and return	R	1	1	1	1	1¼	1¼	
Cold water, DHW	R	¾	¾	1	1¼	1¼	1¼	
DHW circulation	R	¾	¾	1	1	1¼	1¼	
Energy efficiency class		A / B	A / B	B	B	—	—	

#### Information regarding continuous output

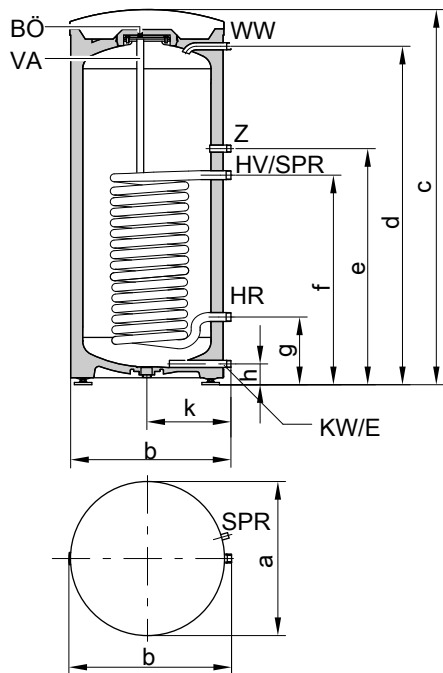
When designing systems with the specified or calculated continuous output, select a matching circulation pump. The stated continuous output is achieved only if the rated boiler heating output is ≥ continuous output.

#### Note

Up to 300 l cylinder capacity also available as Vitocell 100-W in white.

## DHW cylinders (cont.)

Vitocell 100-V, type CVA / CVAA-A, 160 and 200 l capacity



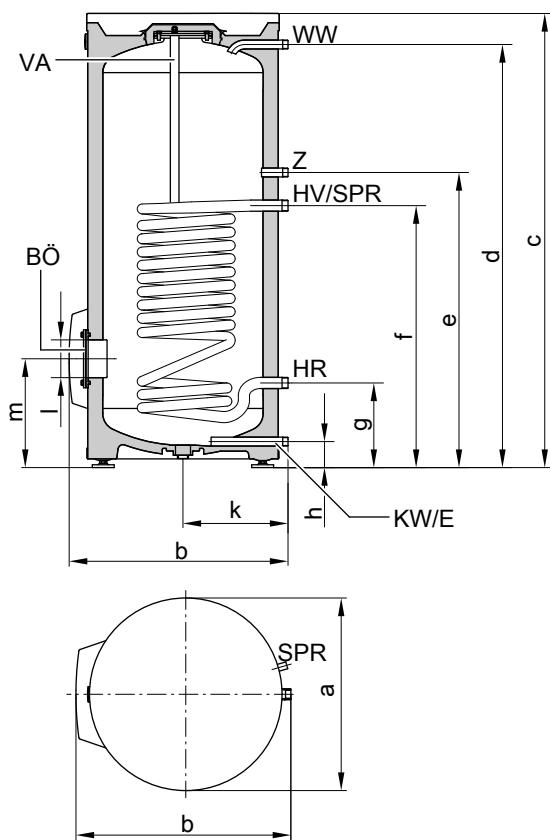
### Dimensions

Cylinder capacity			160	200
Length (∅)	a	mm	581	581
Width	b	mm	605	605
Height	c	mm	1189	1409
	d	mm	1050	1270
	e	mm	884	884
	f	mm	634	634
	g	mm	249	249
	h	mm	72	72
	k	mm	317	317

- BÖ Inspection and cleaning aperture
- E Drain
- HR Heating water return
- HV Heating water flow
- KW Cold water
- SPR Cylinder temperature sensor of the cylinder temperature controller or temperature controller (internal sensor well diameter 16 mm)
- VA Protective magnesium anode
- WW DHW
- Z DHW circulation

## DHW cylinders (cont.)

Vitocell 100-V, type CVAA, 300 l capacity



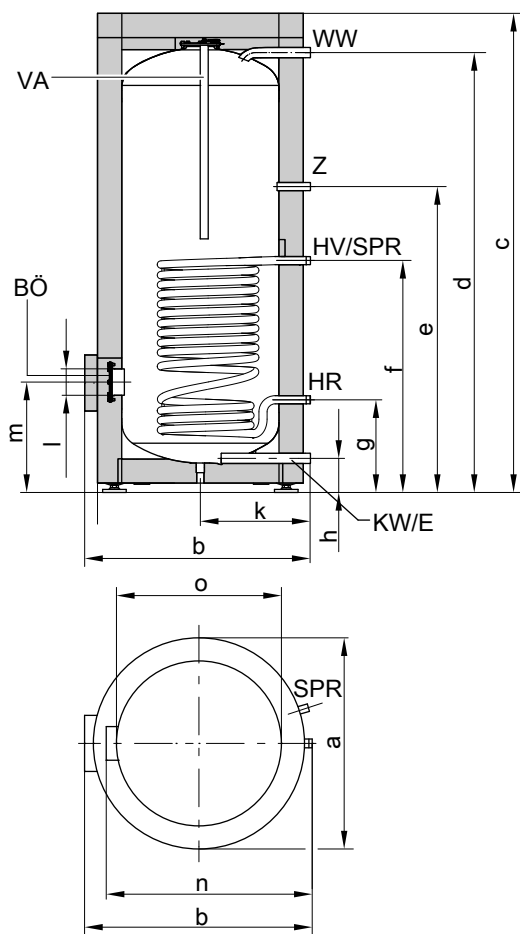
### Dimensions

Cylinder capacity	l	300	
Length (Ø)	a	mm	667
Width	b	mm	744
Height	c	mm	1734
	d	mm	1600
	e	mm	1115
	f	mm	875
	g	mm	260
	h	mm	76
	k	mm	361
	l	mm	Ø 100
	m	mm	333

- BÖ Inspection and cleaning aperture
- E Drain
- HR Heating water return
- HV Heating water flow
- KW Cold water
- SPR Cylinder temperature sensor of the cylinder temperature controller or temperature controller (internal sensor well diameter 16 mm)
- VA Protective magnesium anode
- WW DHW
- Z DHW circulation

## DHW cylinders (cont.)

### Vitocell 100-V, type CVA, 500 l capacity



- HV Heating water flow  
 KW Cold water  
 SPR Cylinder temperature sensor of the cylinder temperature controller or temperature controller (internal sensor well diameter 16 mm)  
 VA Protective magnesium anode  
 WW DHW  
 Z DHW circulation

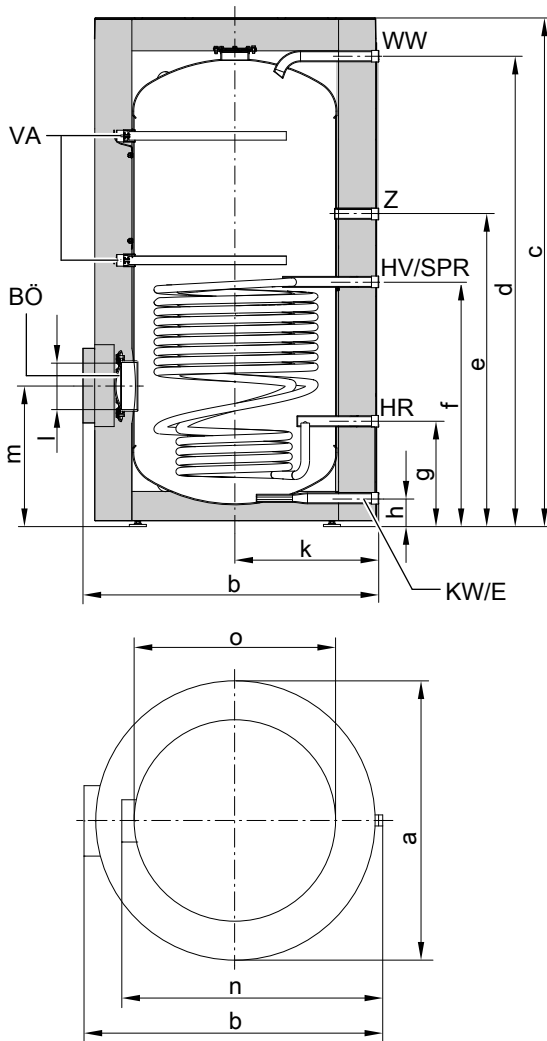
#### Dimensions

Cylinder capacity		l	500
Length (∅)	a	mm	859
Width	b	mm	923
Height	c	mm	1948
	d	mm	1784
	e	mm	1230
	f	mm	924
	g	mm	349
	h	mm	107
	k	mm	455
	l	mm	∅ 100
	m	mm	422
Excl. thermal insulation	n	mm	837
Excl. thermal insulation	o	mm	∅ 650

- BÖ Inspection and cleaning aperture  
 E Drain  
 HR Heating water return

## DHW cylinders (cont.)

Vitocell 100-V, type CVAA, 750 and 950 l capacity



- HV Heating water flow
- KW Cold water
- SPR Clamping system for fixing immersion temperature sensors to the cylinder jacket. Fixing points for 3 immersion temperature sensors
- VA Protective magnesium anode
- WW DHW
- Z DHW circulation

### Dimensions

Cylinder capacity			750	950
Length (Ø)	a	mm	1062	1062
Width	b	mm	1110	1110
Height	c	mm	1897	2197
	d	mm	1788	2094
	e	mm	1179	1283
	f	mm	916	989
	g	mm	377	369
	h	mm	79	79
	k	mm	555	555
	l	mm	Ø 180	Ø 180
	m	mm	513	502
Excl. thermal insulation	n	mm	1005	1005
Excl. thermal insulation	o	mm	Ø 790	Ø 790

- BÖ Inspection and cleaning aperture
- E Drain
- HR Heating water return

### Performance factor $N_L$

- To DIN 4708
- Cylinder storage temperature  $T_{cyl}$  = cold water inlet temperature + 50 K +5 K/-0 K

Cylinder capacity	l	160	200	300	500	750	950
<b>Performance factor <math>N_L</math></b>							
at heating water flow temperature							
90 °C		2.5	4.0	9.7	21.0	38.0	44.0
80 °C		2.4	3.7	9.3	19.0	32.0	42.0
70 °C		2.2	3.5	8.7	16.5	25.0	39.0

### Information on performance factor $N_L$

The performance factor  $N_L$  depends on the cylinder storage temperature  $T_{cyl}$ .

#### Standard values

- $T_{cyl} = 60\text{ °C} \rightarrow 1.0 \times N_L$
- $T_{cyl} = 55\text{ °C} \rightarrow 0.75 \times N_L$
- $T_{cyl} = 50\text{ °C} \rightarrow 0.55 \times N_L$
- $T_{cyl} = 45\text{ °C} \rightarrow 0.3 \times N_L$

5822440

## DHW cylinders (cont.)

### Peak output (over 10 minutes)

- Relative to performance factor  $N_L$
- DHW heating from 10 to 45 °C

Cylinder capacity	l	160	200	300	500	750	950
<b>Peak output</b>							
at heating water flow temperature							
90 °C	l/10 min	210	262	407	618	850	937
80 °C	l/10 min	207	252	399	583	770	915
70 °C	l/10 min	199	246	385	540	665	875

### Max. draw-off rate (over 10 minutes)

- Relative to performance factor  $N_L$
- With reheating
- DHW heating from 10 to 45 °C

Cylinder capacity	l	160	200	300	500	750	950
<b>Max. draw-off rate</b>							
at heating water flow temperature							
90 °C	l/min	21	26	41	62	85	94
80 °C	l/min	21	25	40	58	77	92
70 °C	l/min	20	25	39	54	67	88

### Drawable water volume

- Cylinder content heated to 60 °C
- Without reheating

Cylinder capacity	l	160	200	300	500	750	950
<b>Draw-off rate</b>	l/min	10	10	15	15	20	20
<b>Drawable water volume</b>	l	120	145	240	420	615	800
Water at $t = 60$ °C (constant)							

### Heat-up time

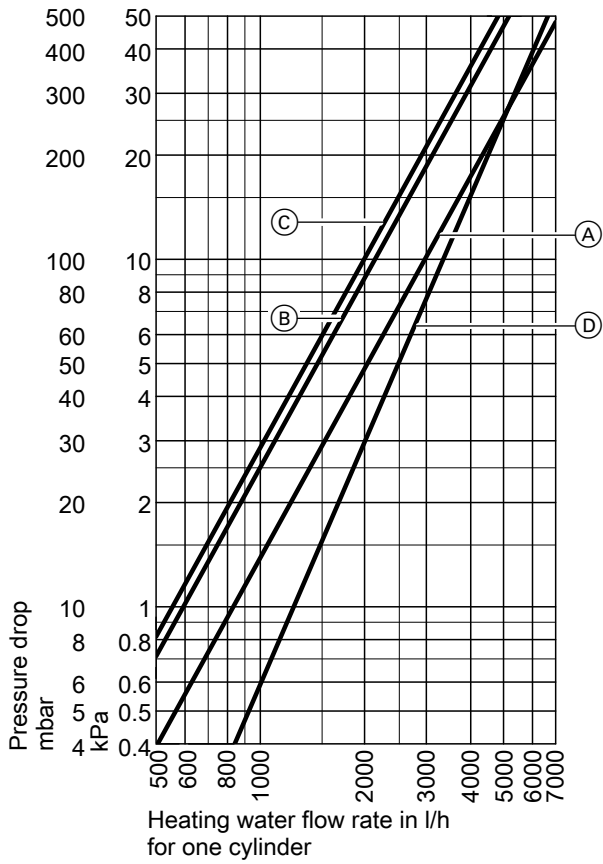
The heat-up times will be achieved when the maximum continuous output of the DHW cylinder is made available at the relevant heating water flow temperature and when DHW is heated from 10 to 60 °C.

Cylinder capacity	l	160	200	300	500	750	950
<b>Heat-up time</b>							
at heating water flow temperature							
90 °C	min	19	19	23	28	23	35
80 °C	min	24	24	31	36	31	45
70 °C	min	34	37	45	50	45	70



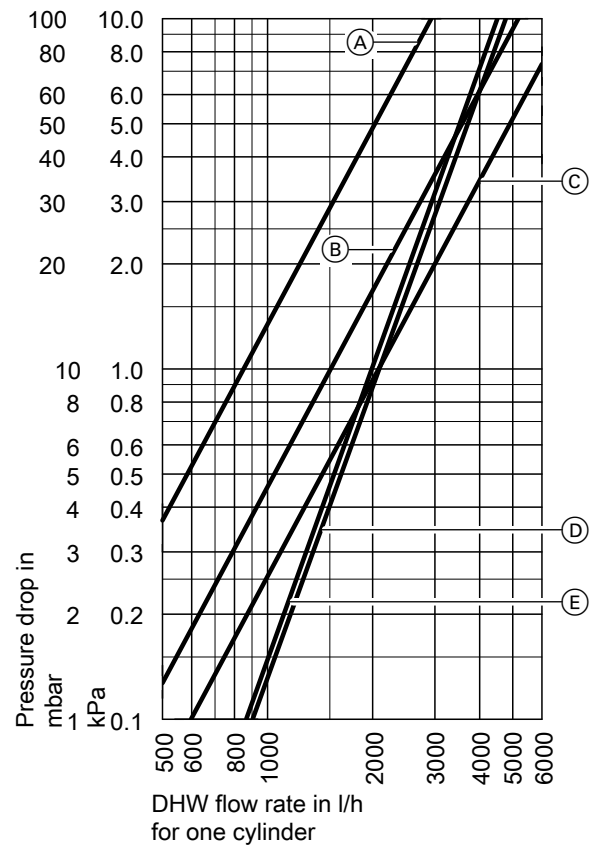
## DHW cylinders (cont.)

Pressure drop on the heating water side



- (A) Cylinder capacity 160 and 200 l
- (B) Cylinder capacity 300 l
- (C) Cylinder capacity 500 l
- (D) Cylinder capacity 750 l
- (E) Cylinder capacity 950 l

Pressure drop on the DHW side



- (A) Cylinder capacity 160 and 200 l
- (B) Cylinder capacity 300 l
- (C) Cylinder capacity 500 l
- (D) Cylinder capacity 750 l
- (E) Cylinder capacity 950 l

## DHW cylinders (cont.)

### 7.8 Vitocell 300-V, type EVIA-A, EVIA-A+

For DHW heating in conjunction with boilers and district heating systems; optionally with an electric heater (accessories).

Suitable for the following systems:

- DHW temperature up to **95 °C**
- Heating water flow temperature up to **160 °C**
- Operating pressure on the **heating water side** up to **10 bar (1 MPa)**
- Operating pressure on the **DHW side** up to **10 bar (1 MPa)**

Type		EVIA-A+/EVIA-A		EVIA-A	EVIA-A
<b>Cylinder capacity</b> (AT: Actual water capacity)	l	<b>160</b>	<b>200</b>	<b>300</b>	<b>500</b>
<b>Heating water capacity</b>	l	7.4	7.4	11.0	12.9
<b>Gross volume</b>	l	167.4	207.4	311.0	512.9
<b>DIN registration number</b>		Applied for			
<b>Continuous output</b> for DHW heating from <b>10 to 45 °C</b> and a <b>heating water</b> flow temperature of ... at the heating water flow rate stated below	90 °C kW	46	46	61	69
	l/h	1127	1127	1501	1688
	80 °C kW	38	38	51	58
	l/h	939	939	1252	1414
	70 °C kW	30	30	41	46
	l/h	747	747	998	1128
	60 °C kW	22	22	30	34
	l/h	547	547	733	830
<b>Continuous output</b> for DHW heating from <b>10 to 60 °C</b> and a <b>heating water</b> flow temperature of ... at the heating water flow rate stated below	90 °C kW	39	39	52	59
	l/h	668	668	894	1011
	80 °C kW	31	31	41	46
	l/h	527	527	706	799
<b>Heating water flow rate</b> for the stated continuous outputs	m <sup>3</sup> /h	3.0	3.0	3.0	3.0
	<b>Standby heat loss</b>	kWh/24 h	0.70/0.90	0.75/0.91	1.06
<b>Dimensions</b>					
Length (Ø) a					
– With thermal insulation	mm	581	581	667	1022
– Excl. thermal insulation	mm	–	–	–	715
Width b					
– With thermal insulation	mm	605	605	744	1084
– Excl. thermal insulation	mm	–	–	–	954
Height c					
– With thermal insulation	mm	1189	1409	1734	1852
– Excl. thermal insulation	mm	–	–	–	1667
Height when tilted					
– With thermal insulation	mm	1260	1460	1825	–
– Excl. thermal insulation	mm	–	–	–	1690
<b>Weight</b> incl. thermal insulation	kg	60	70	105	110
<b>Heating surface</b>	m <sup>2</sup>	1.0	1.0	1.5	1.7
<b>Connections</b> (male thread)					
Heating water flow and return	R	1	1	1	1
Cold water, DHW	R	¾	¾	1	1¼
DHW circulation	R	¾	¾	1	1
<b>Energy efficiency class</b>		A+/A	A+/A	A	A

#### Information regarding continuous output

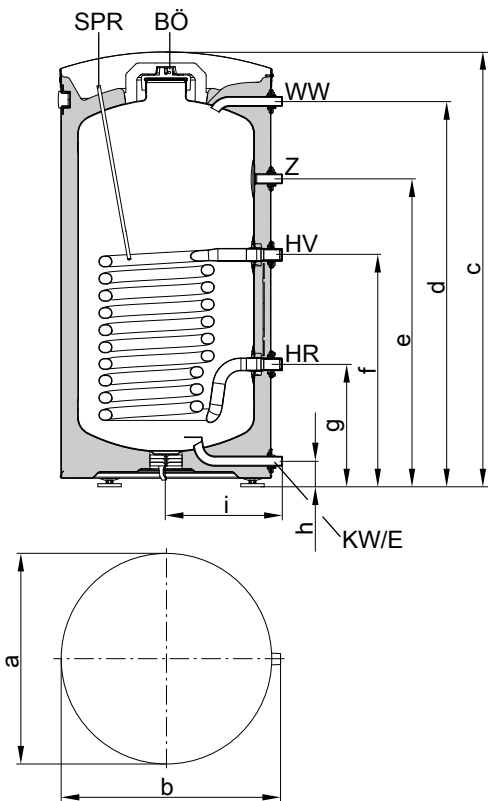
When designing systems with the specified or calculated continuous output, select a matching circulation pump. The stated continuous output is achieved only if the rated boiler heating output is ≥ continuous output.

#### Note

Up to 300 l cylinder capacity also available as Vitocell 300-W in "white".

## DHW cylinders (cont.)

160 and 200 litre capacity

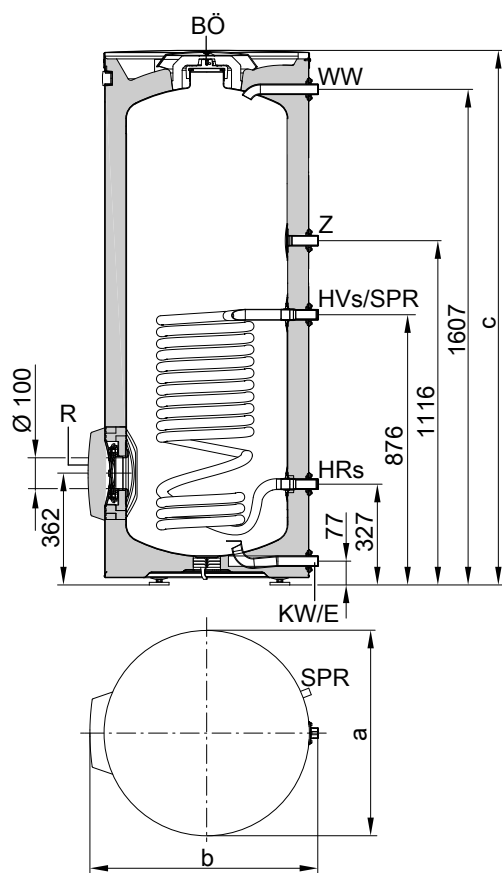


Cylinder capacity	I	160	200
a	mm	581	581
b	mm	605	605
c	mm	1189	1409
d	mm	1055	1275
e	mm	843	885
f	mm	635	635
g	mm	335	335
h	mm	70	70
i	mm	317	317

- BÖ Inspection and cleaning aperture
- E Drain
- HR Heating water return
- HV Heating water flow
- KW Cold water
- SPR Sensor well for cylinder temperature sensor or temperature controller (internal diameter 7 mm)
- WW DHW
- Z DHW circulation

## DHW cylinders (cont.)

300 l capacity

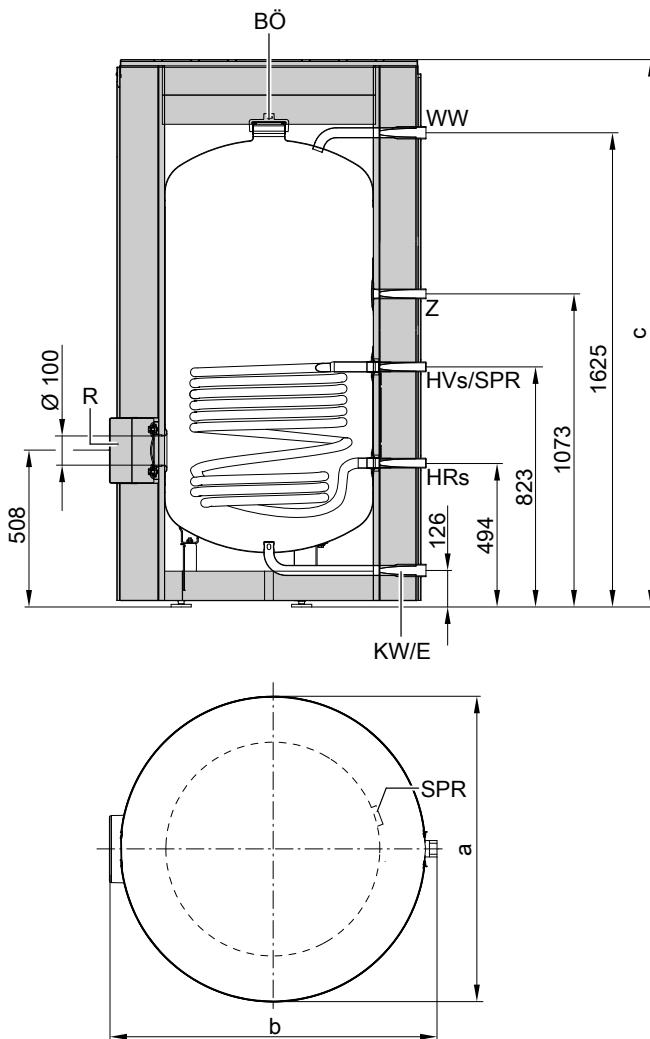


Cylinder capacity	l	300
a	mm	667
b	mm	744
c	mm	1734

- BÖ Inspection and cleaning aperture
- E Drain
- HR Heating water return
- HV Heating water flow
- KW Cold water
- R Additional cleaning aperture and immersion heater
- SPR Sensor well for cylinder temperature sensor or temperature controller (internal diameter 17 mm)
- WW DHW
- Z DHW circulation

## DHW cylinders (cont.)

500 l capacity



Cylinder capacity	l	500
a	mm	1022
b	mm	1084
c	mm	1852

- BÖ Inspection and cleaning aperture
- E Drain
- HR Heating water return
- HV Heating water flow
- KW Cold water
- R Additional cleaning aperture and immersion heater
- SPR Clamping system for fixing immersion temperature sensors to the cylinder jacket. Fixing points for 3 immersion temperature sensors per clamping system.
- WW DHW
- Z DHW circulation

### Performance factor $N_L$

To DIN 4708.

Cylinder storage temperature  $T_{cyl}$  = cold water inlet temperature  
+ 50 K <sup>+5 K/-0 K</sup>

Cylinder capacity	l	160	200	300	500
<b>Performance factor <math>N_L</math> at heating water flow temperature</b>					
90 °C		3.5	6.6	10.5	21.5
80 °C		3.1	5.6	10.0	19.5
70 °C		2.3	4.6	9.5	17.0

## DHW cylinders (cont.)

### Information on performance factor $N_L$

The performance factor  $N_L$  depends on the cylinder storage temperature  $T_{cyl}$ .

#### Standard values

- $T_{cyl} = 60\text{ °C} \rightarrow 1.0 \times N_L$
- $T_{cyl} = 55\text{ °C} \rightarrow 0.75 \times N_L$
- $T_{cyl} = 50\text{ °C} \rightarrow 0.55 \times N_L$
- $T_{cyl} = 45\text{ °C} \rightarrow 0.3 \times N_L$

### Peak output (over 10 minutes)

Relative to performance factor  $N_L$ .

DHW heating from 10 to 45 °C.

Cylinder capacity	l	160	200	300	500
<b>Peak output (l/10 min) at heating water flow temperature</b>					
90 °C		251	340	430	634
80 °C		237	314	419	600
70 °C		207	285	408	556

### Max. draw-off rate (over 10 minutes)

Relative to performance factor  $N_L$ .

With reheating.

DHW heating from 10 to 45 °C.

Cylinder capacity	l	160	200	300	500
<b>Max. draw-off rate (l/min) at heating water flow temperature</b>					
90 °C		25.1	34.0	43.0	63.4
80 °C		23.7	31.4	41.9	60.0
70 °C		20.7	28.5	40.8	55.6

### Drawable water volume

Cylinder content heated to 60 °C.

Without reheating.

Cylinder capacity	l	160	200	300	500
<b>Draw-off rate</b>	l/min	10	10	15	15
<b>Drawable water volume</b>	l	133	155	240	420
Water at $t = 60\text{ °C}$ (constant)					

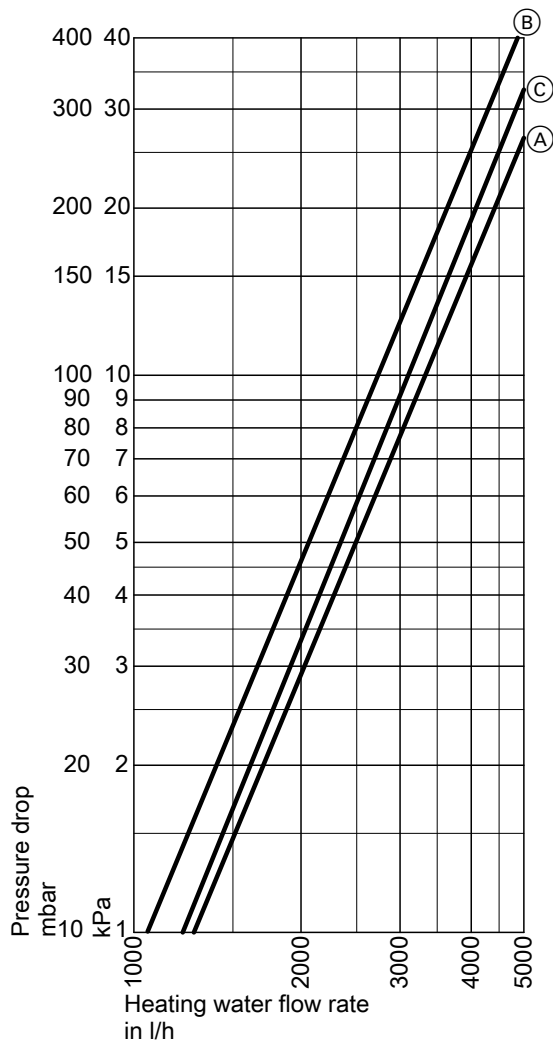
### Heat-up time

The specified heat-up times will be achieved when the maximum continuous output of the DHW cylinder is made available at the relevant heating water flow temperature and when DHW is heated from 10 to 60 °C.

Cylinder capacity	l	160	200	300	500
<b>Heat-up time (min.) at heating water flow temperature</b>					
90 °C		17	19	21	25
80 °C		20	24	30	33
70 °C		30	37	40	46

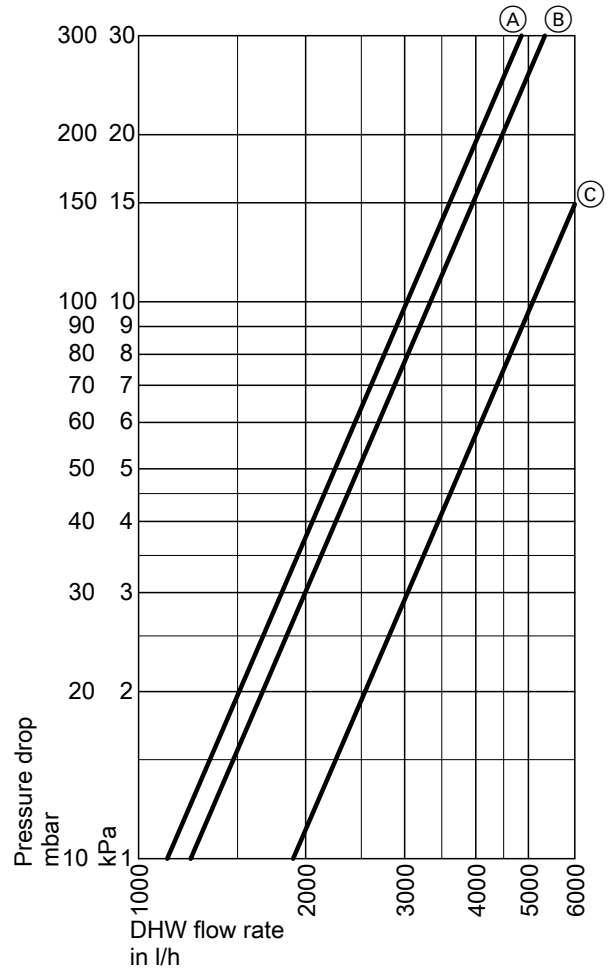
## DHW cylinders (cont.)

### Pressure drop



Pressure drop on the heating water side

- (A) Cylinder capacity 160 l and 200 l
- (B) Cylinder capacity 300 l
- (C) Cylinder capacity 500 l



Pressure drop on the DHW side

- (A) Cylinder capacity 160 l and 200 l
- (B) Cylinder capacity 300 l
- (C) Cylinder capacity 500 l

## Installation accessories

### 8.1 Solar-Divicon and solar pump assembly

#### Versions

See chapter "Sizing the circulation pump".

A Solar-Divicon and a solar pump assembly are required for systems with a 2nd pump circuit or with a bypass circuit.

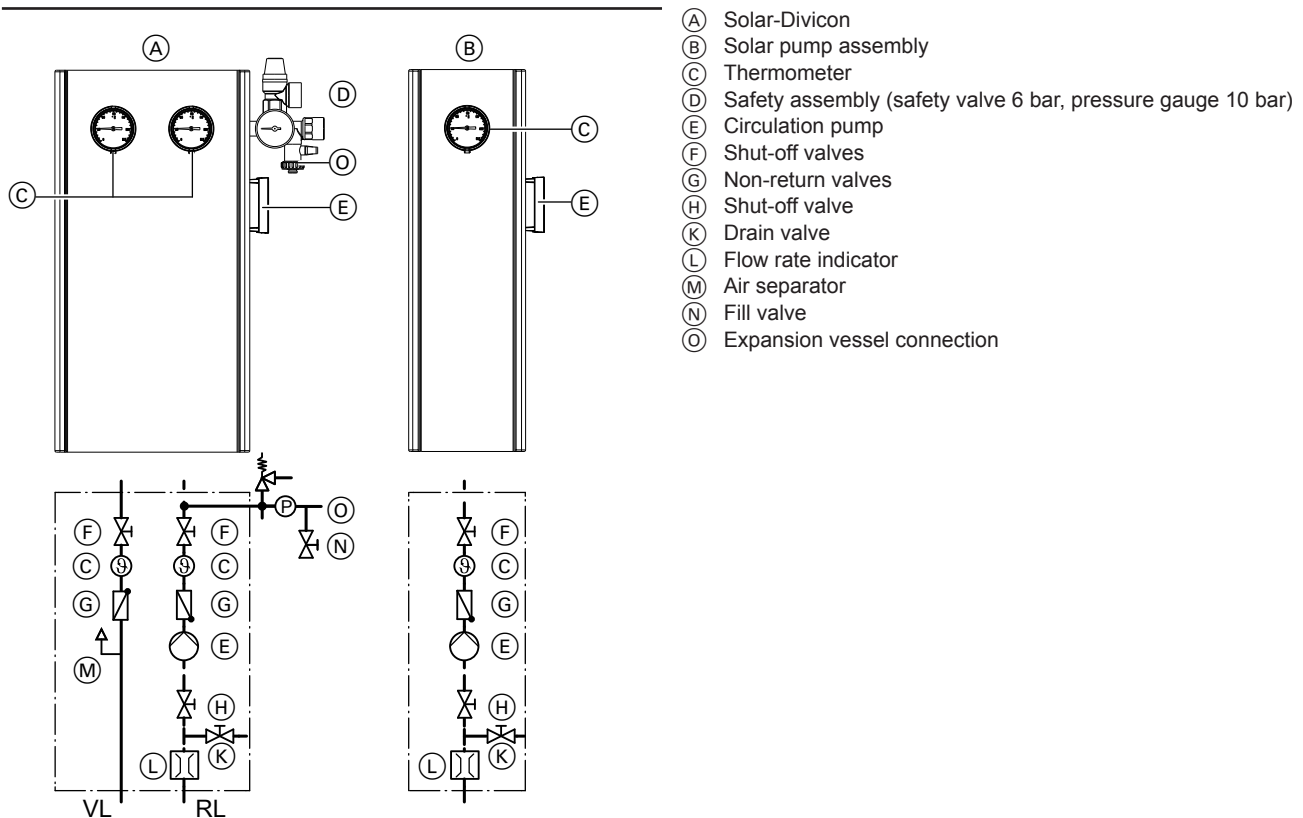
#### Note

The Solar-Divicon, type PS10, can be fitted to Vitocell 140-E/160-E and Vitocell 340-M/360-M by means of a connection set. See separate datasheets.

Version	Part no. for type			
	PS10	PS20	P10	P20
– High efficiency circulation pump with PWM control – Without solar control unit	Z012020	Z012027	Z012022	Z012028
– High efficiency circulation pump with PWM control – Solar control module, type SM1	Z012016	—	—	—
– High efficiency circulation pump with PWM control – Vitosolic 100, type SD1	Z012018	—	—	—

#### Structure

Solar-Divicon and solar pump assembly are prefitted and tested for tightness with the following components:



RL Return  
VL Flow

#### Safety valve in conjunction with collectors with temperature-dependent shutdown

Up to a system height of 20 m, the Solar-Divicon with the 6 bar safety valve can be used.

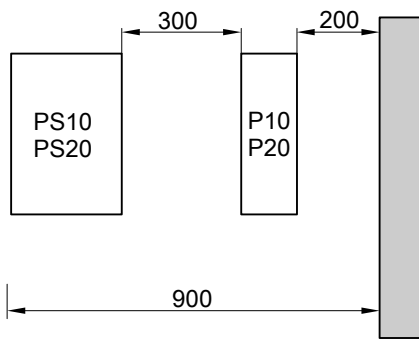
Above a system height of 20 m, the safety valve can be replaced by an 8 bar safety valve (see accessories).



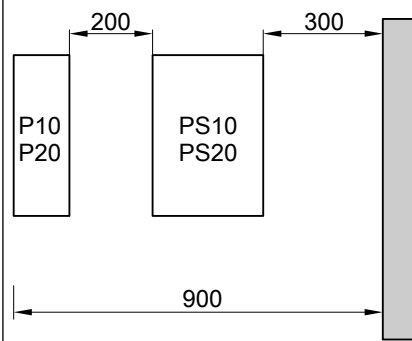
## Installation accessories (cont.)

### Clearances

Solar pump assembly to the right of the Solar-Divicon



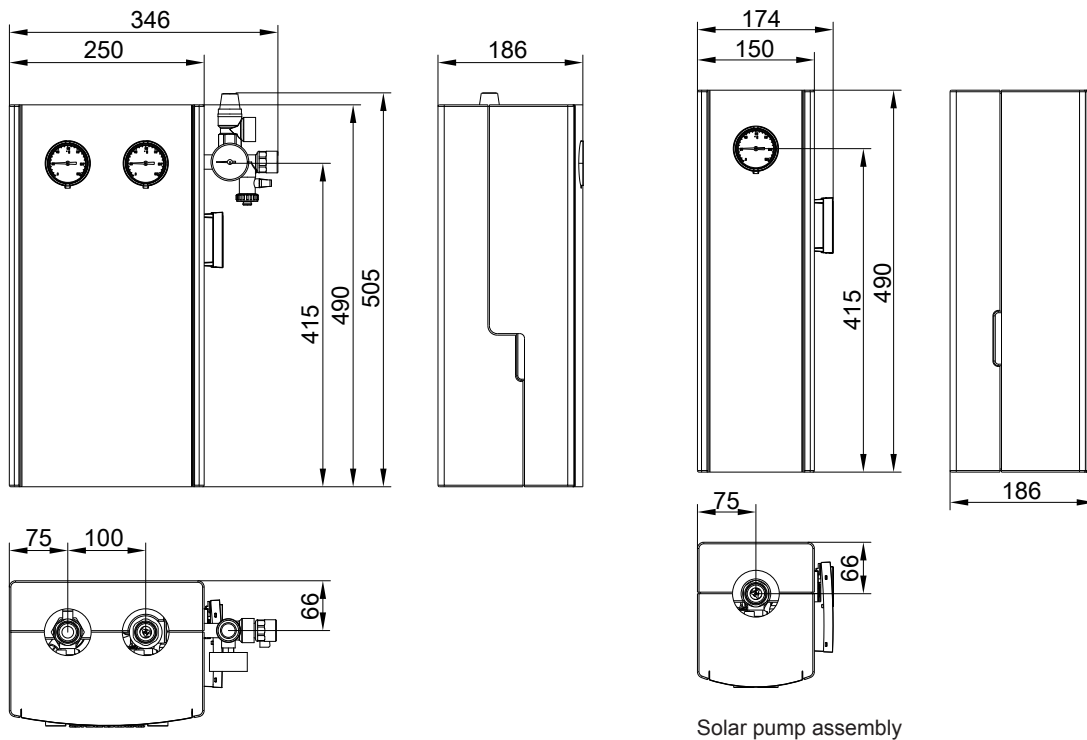
Solar pump assembly to the left of the Solar-Divicon



### Specification

Type		PS10, P10	PS20, P20
<b>Wilo circulation pump</b>			
High efficiency circulation pump		PARA 15/7.0	PARA 15/7.5
Energy efficiency index EEI		≤ 0.2	≤ 0.21
Rated voltage	V~	230	230
Power consumption			
– Min.	W	3	3
– Max.	W	45	73
Flow rate indicator	l/min	1 to 13	5 to 35
Safety valve (solar)			
– At the factory	bar/MPa	6/0.6	6/0.6
– Installation of 8 bar safety valve (accessory)	bar/MPa	8/0.8	8/0.8
Max. operating temperature in return line	°C	120	120
Max. operating temperature in flow line	°C	150	150
Max. operating pressure	bar/MPa	10/1	10/1
Connections (locking ring fitting/double O-ring)			
– Solar circuit	mm	22	22
– Expansion vessel	mm	22	22

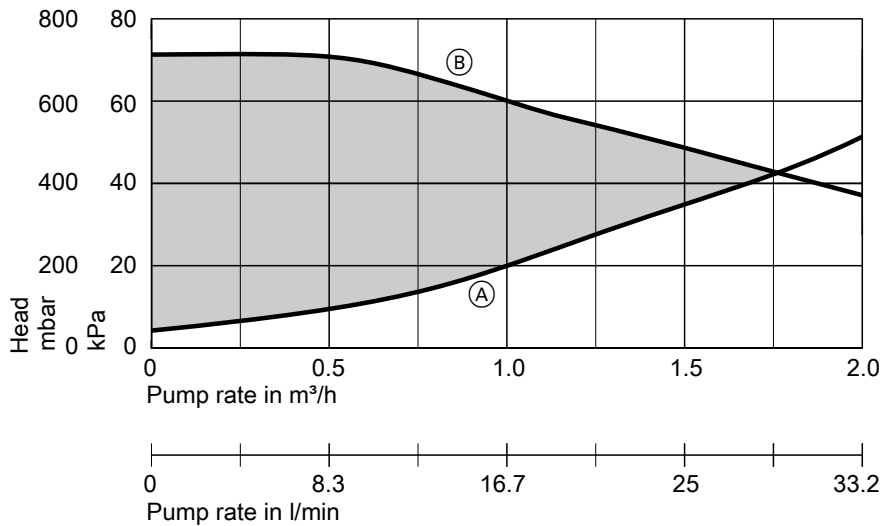
## Installation accessories (cont.)



Solar-Divicon

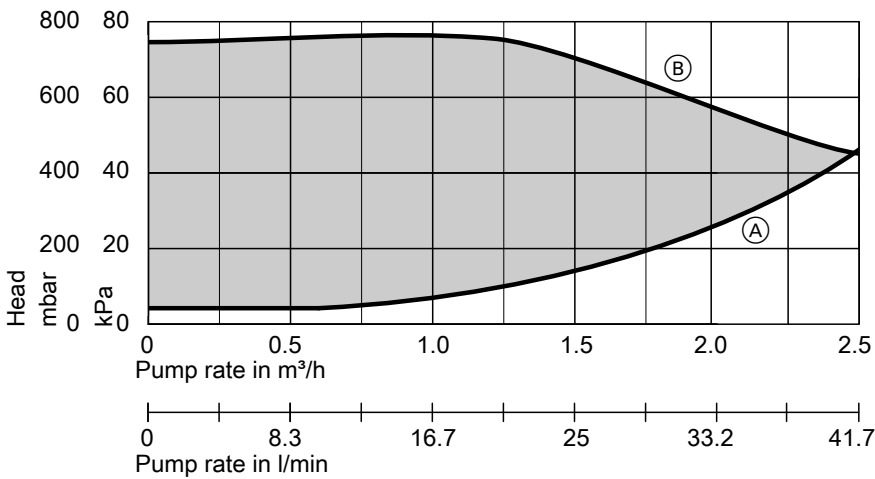
Solar pump assembly

## Pump curves



High efficiency circulation pump, types PS10 and P10

- (A) Pressure drop curve
- (B) Max. head



High efficiency circulation pump, types PS20 and P20

- (A) Pressure drop curve
- (B) Max. head

### Heat meter

**Part no. Z013684**

For solar thermal systems with "Typfocor LS" heat transfer medium

- For wall mounting in conjunction with Solar-Divicon, type PS10
- For installation on DHW cylinder with fitted Solar-Divicon, type PS10

- Capture of flow and return temperatures
- Capture of flow rate, nominal flow rate 1.5 m³/h
- Indication of energy amount, heating output, flow rate, flow and return temperatures

### Solar safety valve 8 bar

In solar thermal systems, the 6 bar safety valves fitted at the factory can be replaced with 8 bar safety valves.

**Part no. ZK02881**

Safety valve IG ½ x IG 1 for

- Solar-Divicon PS10
- Vitosolar 300-F
- Vitocell 100-U, type CVUB/CVUC

- Vitodens 242-F
- Vitodens 343-F

**Part no. ZK02458**

Safety valve IG ¾ x IG 1 for

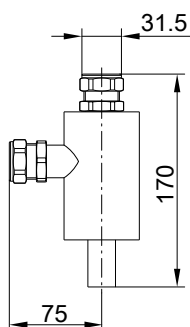
- Solar-Divicon, type PS20
- Solar transfer stations

## 8.2 Hydraulic accessories

### Connecting tee

Part no. 7172731

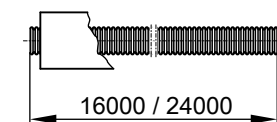
For connecting the expansion vessel or stagnation cooler in the Solar-Divicon flow line.  
With locking ring fitting and double O-ring 22 mm.



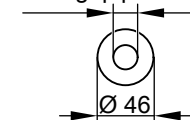
### Connection line

Part no. 7143745

For the connection between Solar-Divicon and the solar cylinder.  
Stainless steel corrugated pipe with thermal insulation and protective foil.



Corrug. pipe ext. Ø 21.2

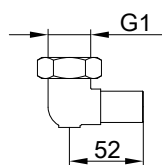


### Installation kit for connection line

Only required in conjunction with the connecting cable, part no. 7143745.

Part no.	DHW cylinder	a	mm	b	mm
7373476	Vitocell 300-B, 500 l		272		40
7373475	Vitocell 100-B, 300 l Vitocell-300-B, 300 l		190		42
7373474	Vitocell 100-B, 400 and 500 l		272		72
7373473	Vitocell 140/160-E Vitocell 340/360-M		—		—

Part no. 7373473

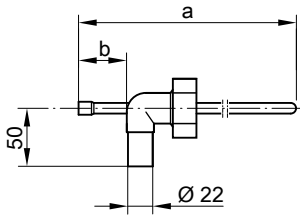


Components:

- 2 threaded elbows
- Gaskets
- 2 locking ring fittings
- 8 pipe sleeves

## Installation accessories (cont.)

Part nos. 7373474 to 476



Components:

- 2 threaded elbows (1 elbow with sensor well, 1 elbow without sensor well)
- Gaskets
- 2 locking ring fittings
- 8 pipe sleeves

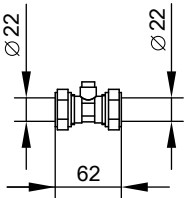
### Note

When using installation kits, the threaded elbow (standard delivery of DHW cylinder) for the installation of the cylinder temperature sensor is **not** required.

## Manual air vent valve

Part no. 7316263

Locking ring fitting with air vent valve.  
Install at the highest point of the system.



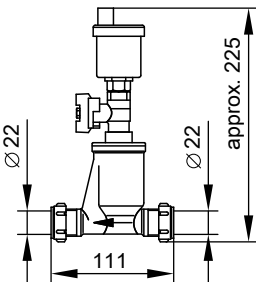
## Air separator

Part no. ZK03779

Installation in the flow line of the solar circuit, preferably upstream of the inlet into the DHW cylinder.

### Note

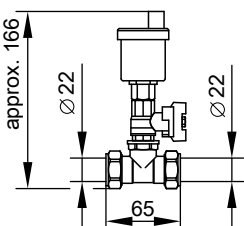
Included in standard delivery with solar packs



## Quick-action air vent valve (with tee)

Part no. ZK03780

Install at the highest point of the system.  
With shut-off valve and locking ring fitting



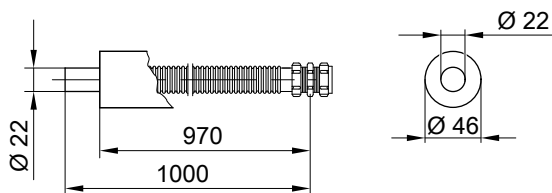
5822440

## Installation accessories (cont.)

### Connecting cable

Part no. 7316252

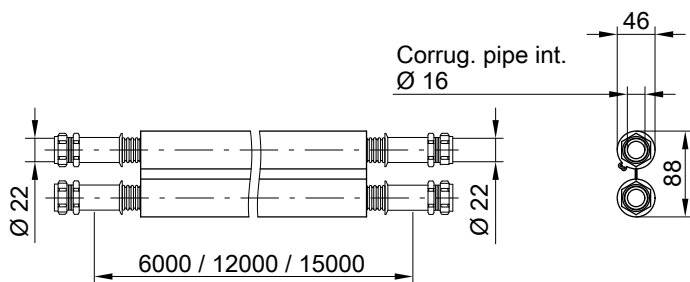
Stainless steel corrugated pipe with thermal insulation and locking ring fitting.



### Solar flow and return lines

Stainless steel corrugated pipes with thermal insulation and protective foil, locking ring fittings and sensor lead:

- 6 m long  
Part no. 7373477
- 12 m long  
Part no. 7373478
- 15 m long  
Part no. 7419567



### Solar line roof outlet

- Colour: terracotta  
Part no. ZK02013
- Colour: black  
Part no. ZK02014
- Colour: brown  
Part no. ZK02015

For solar flow line and solar return line, for tiled roof cover, 15 to 65°  
Pivoting outlet; connection from the bottom, left or right

### Connection accessories for residual lengths of solar flow and return lines

#### Connecting kit

Part no. 7817370



For extending the connecting lines:

- 2 pipe sleeves
- 8 O-rings
- 4 support rings
- 4 profile clips

#### Connection set

Part no. 7817368



For joining the connection lines to the pipework of the solar thermal system:

- 2 pipe sleeves
- 4 O-rings
- 2 support rings
- 2 profile clips

## Installation accessories (cont.)

### Connection set with locking ring fitting

Part no. 7817369



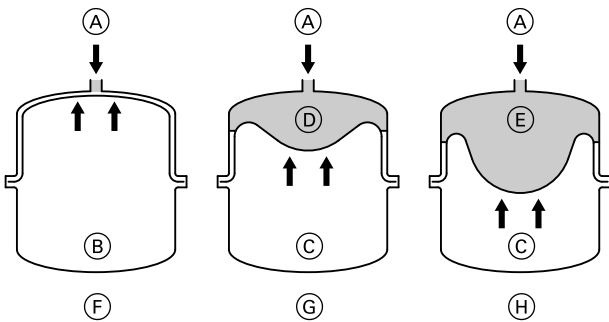
For joining the connection lines to the pipework of the solar thermal system:

- 2 pipe sleeves with locking ring fitting
- 4 O-rings
- 2 support rings
- 2 profile clips

### Solar expansion vessel

#### Design and function

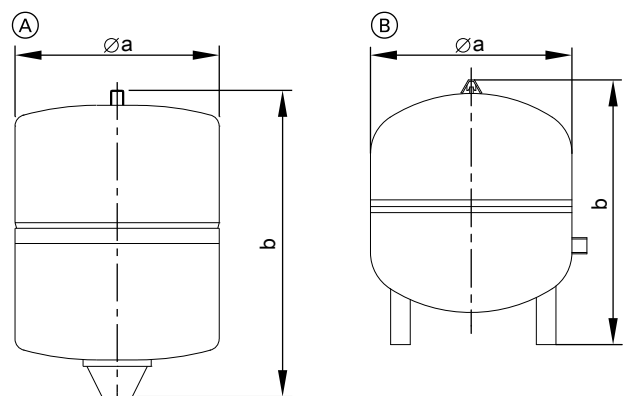
With shut-off valve and fixings



- (A) Heat transfer medium
- (B) Nitrogen charge
- (C) Nitrogen buffer
- (D) Minimum safety seal 3 l
- (E) Safety seal
- (F) Delivered condition (pre-charge pressure 4.5 bar, 0.45 MPa)
- (G) Solar thermal system filled, without heat effect
- (H) At maximum pressure and the highest heat transfer medium temperature

A solar expansion vessel is a sealed vessel where the gas space (nitrogen charge) is separated from the space containing liquid (heat transfer medium) by a diaphragm and the pre-charge pressure is subject to the system height.

#### Specification



Expansion vessel	Part no.	Capacity l	Pre-charge pressure bar (MPa)	Ø a	b	Connection	Weight kg
				mm	mm		
(A)	7248241	18	4.5 (0.45)	280	370	R ¾	7.5
	7248242	25	4.5 (0.45)	280	490	R ¾	9.1
	7248243	40	4.5 (0.45)	354	520	R ¾	9.9
(B)	7248244	50	4.5 (0.45)	409	505	R 1	12.3
	7248245	80	4.5 (0.45)	480	566	R 1	18.4

#### Note

Included in standard delivery with solar packs

### Line regulating valve

Part no. ZK01510

For hydraulically balancing solar collector arrays

- With locking ring fitting Ø 22 mm
- Max. operating temperature: 200 °C
- For max. 5 collectors per row

### Line regulating valve

Part no. ZK01511

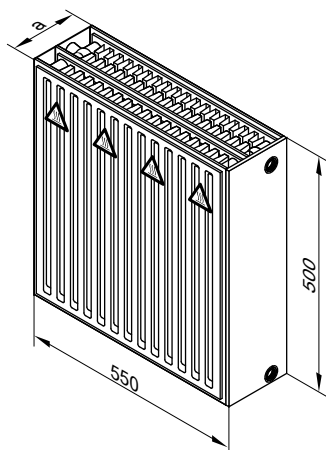
For hydraulically balancing solar collector arrays

- With locking ring fitting Ø 22 mm
- Max. operating temperature: 200 °C
- For 5 to 12 collectors per row

5822440

## Installation accessories (cont.)

### Stagnation cooler



To protect the system components from excess temperatures in the event of stagnation.  
With a plate without any flow as contact protection.

Part no.	Z007429	Z007430
Type	21	33
Dim. a	105 mm	160 mm
Output at 75/65 °C	482 W	834 W
Cooling capacity at 140/80 °C	964 W	1668 W

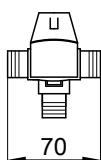
For detailed information, see chapter "Safety equipment".

#### Solar thermal systems with Vitosol-FM/-TM

If the system pressure is adjusted according to manufacturer's instructions, a stagnation cooler is not required.

### Automatic thermostatic mixing valve

Part no. 7438940



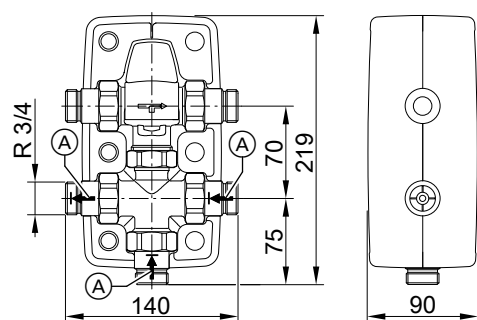
For limiting the DHW outlet temperature in DHW heating systems without DHW circulation pipe

#### Specification

Connections	G	1
Temperature range	°C	35 to 60
Max. temperature of the medium	°C	95
Operating pressure	bar/MPa	10/1.0

### Thermostatic DHW circulation set

Part no. ZK01284



For limiting the DHW outlet temperature in DHW heating systems with DHW circulation pipe

- Automatic thermostatic mixing valve with bypass line
- Integral non-return valves
- Removable insulation shells

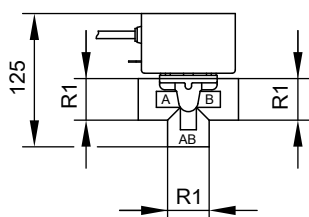
#### Specification

Connections	R	¾
Weight	kg	1.45
Temperature range	°C	35 to 60
Max. temperature of the medium	°C	95
Operating pressure	bar	10
	MPa	1

(A) Non-return valve

### 3-way diverter valve

Part no. 7814924



- For systems with central heating backup
- With electric drive

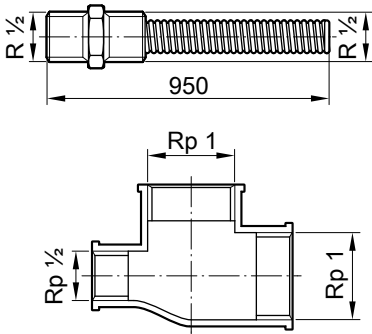


## Installation accessories (cont.)

### Threaded DHW circulation fitting

Part no. 7198542

For connecting a DHW circulation pipe to the DHW connection of the Vitocell 340-M and 360-M.



### 8.3 Heat transfer medium

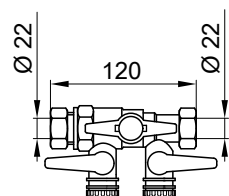
#### Fill valve

Part no. 7316261

For flushing, filling and draining the system.  
With locking ring fitting.

**Note**

Part of the standard delivery of solar packages.



#### Fill station

Part no. 7188625

For filling the solar circuit

- Hose, 0.5 m long (intake side)
- Connection hose, 2.5 m long (2 pce)
- Packing crate (can be used as flushing tank)

Components:

- Self-priming impeller pump (30 l/min)
- Dirt filter (intake side)

#### Filling trolley

Part no. 7172590

For filling the primary circuit.

- Hose, inlet side (0.5 m)
- Connection hose (2 pce, each 3.0 m)
- Canister for heat transfer medium

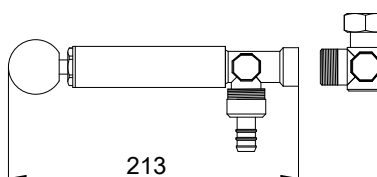
Components:

- Self-priming impeller pump (30 l/min)
- Dirt filter, inlet side

#### Solar manual fill pump

Part no. ZK02962

For topping up and raising the pressure.



#### Heat transfer medium "Tyfocor LS"

Part nos. 7159727 and 7159729

- Ready-mixed to  $-28\text{ }^{\circ}\text{C}$
- Part no. 7159727  
25 l in a disposable container
- Part no. 7159729  
200 l in a disposable container

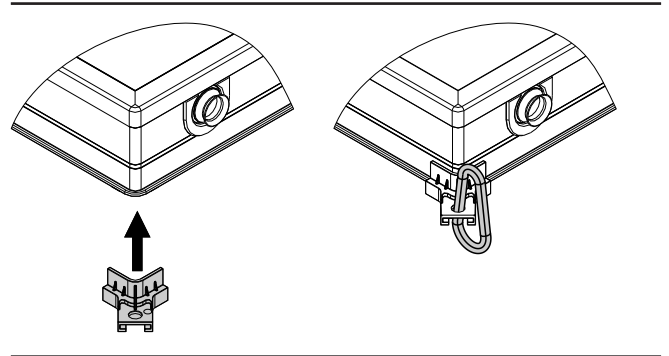
Tyfocor LS can be mixed with Tyfocor G-LS.

## 8.4 Other accessories

### Transport aid

**Part no. ZK01512**

- For installation on the flat-plate collector
- For installation support with a crane or when using a rope for installing and securing collectors on the roof
- Components:
  - 2 plastic holders
  - 2 carabiners



## Design information regarding installation

### 9.1 Snow load and wind load zones

The collectors and the fixing system must be designed in such a way that they can withstand any snow and wind loads that may occur. EN 1991, 3/2003 and 4/2005, identifies various snow and wind load zones for every country in Europe.

The Vitodesk 100 SOLSTAT calculation software is available for calculating snow and wind loads as a function of building characteristics. The software enables snow and wind loads to be calculated as a function of location and assists in determining the required installation system.

### 9.2 Distance from the edge of the roof

Observe the following for installation on pitched roofs:

- If the distance from the top edge of the collector array to the ridge of the roof is greater than 1 m, we recommend installing a snow guard.
- Never install collectors close to roof overhangs where snow is likely to slide off. If necessary, install a snow guard.

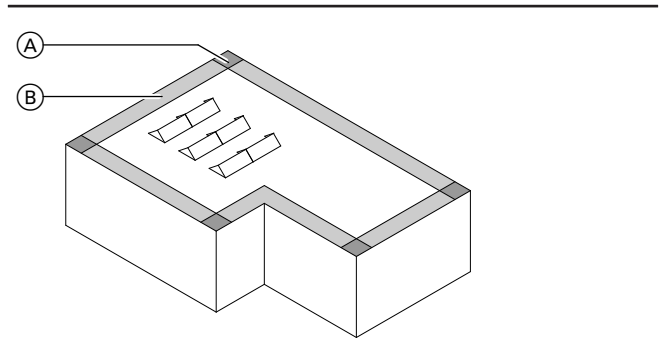
**Note**

*The additional loads due to accumulated snow on collectors or snow guards must be taken into account in the structural calculations for the building.*

Certain parts of the roof are subject to special requirements:

- Corner area (A): limited on two sides by the end of the roof
- Edge area (B): limited on one side by the end of the roof

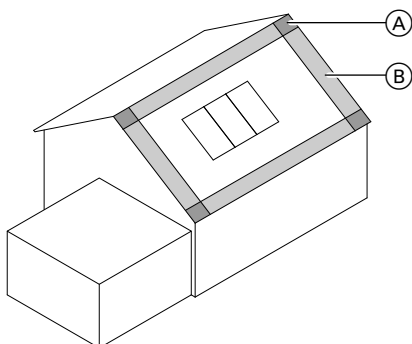
See the diagrams below.



The minimum width (1 m) of corner and edge areas must be calculated in accordance with EN 1991 and must be observed. Allow for increased wind turbulence in these areas.

**Note**

*For the calculation of clearances on flat roofs, the Viessmann "Vitodesk 100 SOLSTAT" calculation program is available at [www.viessmann.com](http://www.viessmann.com).*



### 9.3 Routing pipework

During the design phase, ensure the pipes are installed with a fall from the collector. This ensures better steam expulsion characteristics in the solar thermal system as a whole in the event of stagnation. The thermal load exerted on all system components is reduced (see page 139).

### 9.4 Equipotential bonding/lightning protection of the solar thermal system

Connect the solar circuit pipework with an electrical conductor in the lower part of the building in accordance with VDE [or local] regulations. The integration of the collector system into a new or existing lightning protection facility or the provision of local equipotential bonding must only be carried out by **authorised personnel**. Local conditions must be taken into consideration.

### 9.5 Thermal insulation

The thermal insulation material provided must withstand the operating temperatures to be expected and must be permanently protected against the influence of moisture. Some open pore insulation material that can be subjected to high thermal loads cannot provide reliable protection against moisture produced by condensation. The high temperature versions of close-cell insulating hoses offer adequate protection against moisture, but have a maximum loading temperature of approx. 170 °C. However, the connections at the collector can be subjected to temperatures up to 200 °C (Vitosol-F flat-plate collector). In switching collectors (Vitosol-FM/-TM), the maximum achievable temperature in the collector area is approx. 145 °C to 170 °C.

The thermal insulation of the solar lines routed outdoors must be protected against pecking damage from birds and gnawing by small animals, as well as against UV radiation. A cover (e.g. metal sheath) protecting the insulation against damage by small animals also provides UV protection.

### 9.6 Solar lines

- Use stainless steel pipe or commercially available copper pipe and bronze fittings.
- Metal seals (conical or locking rings and compression fittings) are suitable for solar lines. Should alternative seals be used, such as flat gaskets, their manufacturer must give an assurance of their adequate resistance to glycol, pressure and temperature. In case of connections with hemp seals, use a pressure and temperature-resistant sealant. Use hemp connections as little as possible due to their comparatively high air permeability and never in the immediate vicinity of collectors.
- Generally, copper lines in solar circuits are brazed or joined by press fittings. Soft solder could be weakened, particularly near the collectors, due to the maximum temperatures that may occur there. Metal sealing connections, locking ring fittings or Viessmann push-fit connections with double O-rings are the most suitable.

#### Note

*If using press fittings, ensure the seal rings are suitable (resistant to glycol and temperature). Only use seal rings that have been approved by the manufacturer.*

- All components to be used must be resistant to the heat transfer medium.

#### Note

*Fill solar thermal systems only with Viessmann "Tyfocor LS" heat transfer medium.*

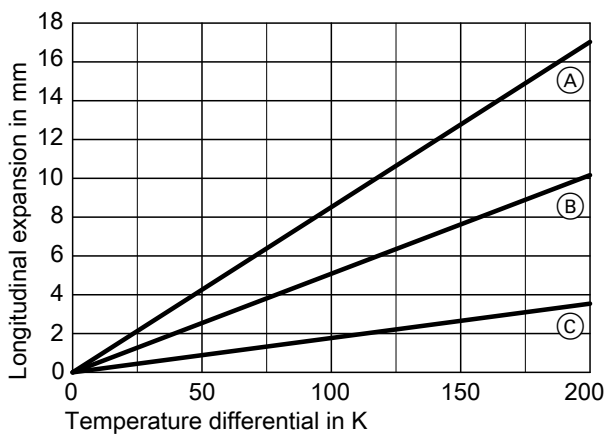
- Take high temperature differentials in the solar circuit into consideration when routing and securing pipes. At pipe sections that may be subject to steam loads, temperature differentials of up to 200 K can be expected; at the other pipe sections, 120 K can be expected.

#### Note

*Insulate pipes that lead through the roof timber construction with fire protection insulation.*

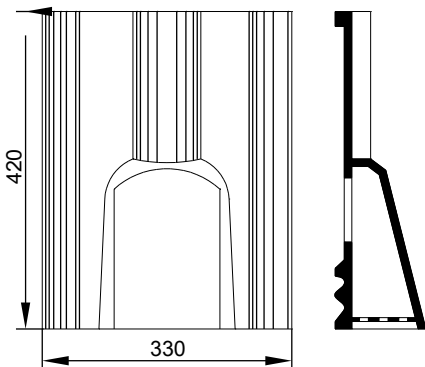
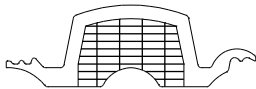


## Design information regarding installation (cont.)



- (A) 5 m pipe length
- (B) 3 m pipe length
- (C) 1 m pipe length

- Route the solar connection lines through a suitable roof outlet (ventilation tile).  
For suitable accessories for the solar connection line roof outlet, see page 99.



Roof tile type	Ventilation cross-section in cm <sup>2</sup>
Double Roman tile	32
Double-S	30
Taunus tile	27
Harz tile	27

## 9.7 Collector fixing

Due to the many varieties available, solar collectors can be installed in almost all types of building:

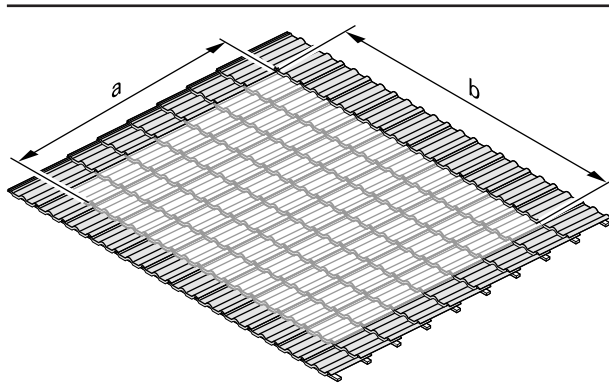
- In a new build or modernisation project
- On pitched roofs, flat roofs and on walls
- Freestanding on the ground
- Integrated into the roof surface

Viessmann offers universal fixing systems to simplify installation. These fixing systems are suitable for virtually any form of roof and roof cover as well as for installation on flat roofs and walls.

### Above roof installation

In above roof systems, the collectors and the roof structure are connected. At each fixing point, a rafter hook, rafter flange or rafter anchor penetrates the water-carrying level below the collector. This means the anchoring must be completely rainproof and secure. The fixing points, and therefore also any possible defects, are no longer visible post-installation. Maintain the minimum clearances from the roof edge in accordance with EN 1991 (see page 99).

#### Required roof area



For collector installation, vertical pipes and dimensions of required roof area, see table. For the installation version with horizontal pipes, interchange dimensions a and b.

Add dimension b for each additional collector.

Collector	Vitosol-FM/-F		Vitosol 200-TM, type SPEA		Vitosol 300-TM, type SP3C	
	SV	SH	1.63 m <sup>2</sup>	3.26 m <sup>2</sup>	1.51 m <sup>2</sup>	3.03 m <sup>2</sup>
a in mm	2380	1056	2244	2244	2240	2240
b in mm	1056 + 16	2380 + 16	1194 + 44	2364 + 44	1053 + 89	2061 + 89

### Flat roof installation

During installation of the collectors (freestanding or horizontal), the minimum clearances from the edge of the roof in accordance with the standard must be observed (see page 99). If the roof size necessitates a split array, ensure that sections of the same size are created.

The collectors can be secured on any solid substructure or on concrete slabs.

#### Note

On pitched roofs with a low angle of inclination, the collector supports can be secured to the rafter anchors (see page 103) with the mounting rails.

Check the structural condition of the roof.

When installing collectors on concrete slabs, secure them with additional ballast against slippage, tipping and lifting.

Slippage is the movement of the collectors on the roof surface due to wind, because of insufficient friction between the roof surface and the collector fixing system. Collectors can be secured by guy ropes or by being fixed to other roof structures.

#### Ballast and max. load on the substructure

Observe the calculations in accordance with EN 1991-1-4 and EN 1991-1-1.

#### Note

The Viessmann "Vitodesk 100 SOLSTAT" calculation program is available at [www.viessmann.com](http://www.viessmann.com) to assist with calculations.

### Installation on walls

#### Technical Building Regulations

For the rules regarding the implementation of solar thermal systems, see the list of German Building Regulations (LTB) [or local regulations].

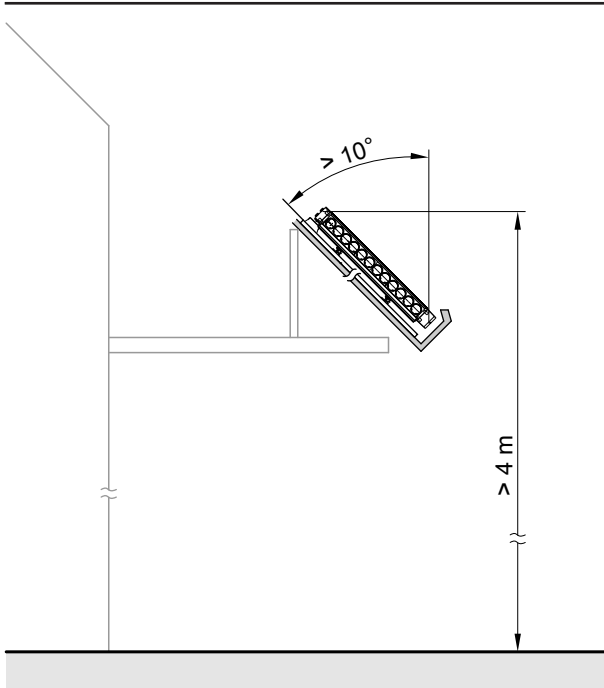
This combines the technical rules of all German Federal States for the use of linear supported glazing (TRLV) issued by the Deutsches Institut für Bautechnik (DIBt). This includes flat-plate and tube collectors. It primarily concerns the protection of pedestrian and traffic areas against falling glass.

## Design information regarding installation (cont.)

### Overhead glazing

Glazing with an angle of inclination greater than  $10^\circ$

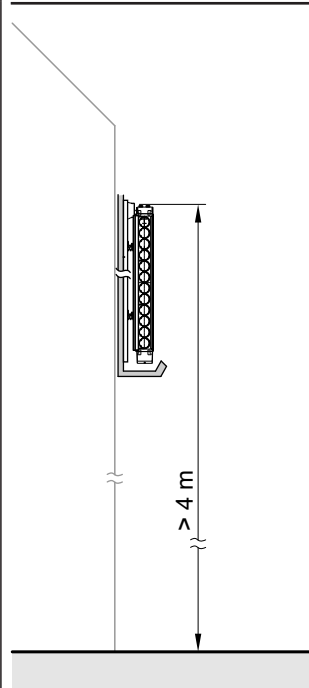
- No additional safety measures to protect against falling glass parts are required for flat-plate and tube collectors with an angle of inclination greater than  $10^\circ$ .



### Vertical glazing

Glazing with an angle of inclination smaller than  $10^\circ$

- The TRLV does not apply to vertical glazing with an upper edge higher than max. 4 m above a traffic area. No additional safety measures to protect against falling glass parts are required for flat-plate and tube collectors with an angle of inclination less than  $10^\circ$ .
- For vertical glazing with an upper edge higher than 4 m above a traffic area, suitable measures must be taken to effectively prevent glass from falling (e.g. netting or trays below; see the following diagrams).



10

## Design information regarding installation on pitched roofs — above roof installation

### 10.1 Above roof installation with rafter anchors

#### General information

Observe the information on securing collectors on page 102.

- This fixing system can be used universally for all standard roof covers and is designed for wind speeds of up to 150 km/h and the following snow loads:

Vitosol-FM/-F, type SV: up to 4.80 kN/m<sup>2</sup>

Vitosol-FM/-F, type SH: up to 2.55 kN/m<sup>2</sup>

Vitosol 300-TM: up to 2.55 kN/m<sup>2</sup>

#### Information on Vitosol-FM/-F, type SV

For snow loads up to 2.55 kN/m<sup>2</sup>, each collector is secured to 2 mounting rails. For snow loads of 4.80 kN/m<sup>2</sup>, a third rail is required. The rails are the same for all snow and wind loads.

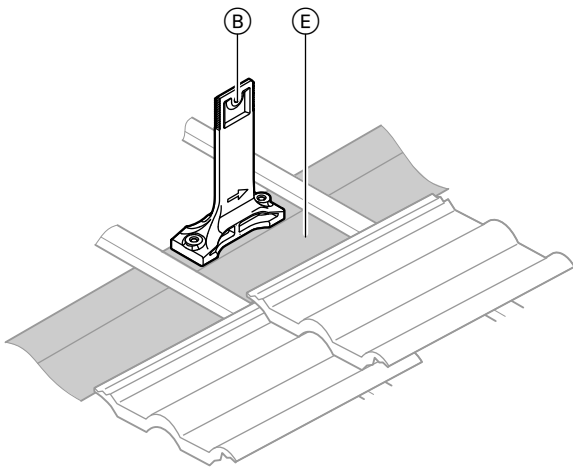
- The fixing system comprises:
  - Rafter anchor
  - Mounting rails
  - Clamping brackets
  - Screws
  - Seals

- Guarantees a permanently safe load transmission to the roof structure. This reliably prevents tile breakages. In regions with higher snow loads, we always recommend this fixing system.
- The rafter anchors are available in 2 versions:
  - Rafter anchor, low tile, 195 mm high
  - Rafter anchor, high tile, 235 mm high
- To enable the mounting rails to be secured to the rafter anchors, maintain a clearance of **max. 100 mm** between the top edge of the rafters or counter batten and the top edge of the roof tile.
- In conjunction with above roof insulation, secure the rafter anchors on site. When doing so, the screws must reach **at least 120 mm** into the load bearing wood structure, to ensure sufficient load bearing capacity.
- Any unevenness in the roof can be compensated for by adjusting the rafter anchors.

Criteria for selecting the fixing system:

- Snow load
- Rafter spacing
- Roof with or without counter battens (different screw lengths)

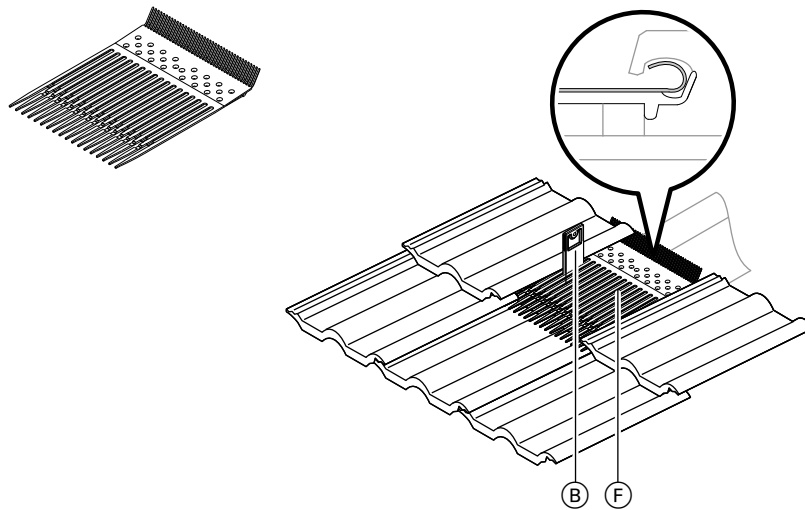
5822440



- Ⓑ Rafter anchor
- Ⓔ Rafter

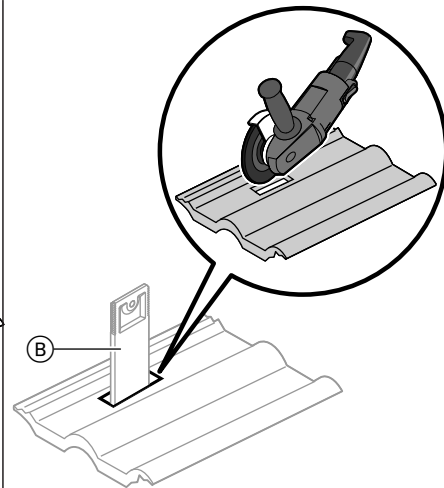
For tiled roof cover, Viessmann offers 2 installation options:

Using a plastic replacement tile



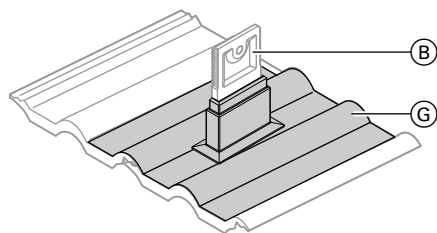
- Ⓑ Rafter anchor
- Ⓕ Plastic replacement tile

Adapting the roof tile with an angle grinder



- Ⓑ Rafter anchor

Affixed seal



- Ⓑ Rafter anchor
- Ⓖ Seal (fully affixed)



## Design information regarding installation on pitched roofs — above roof installation (cont.)

### Above roof installation with mounting brackets e.g. on sheet steel roofs

The fixing system comprises:

- Mounting brackets
- Mounting rails
- Clamping brackets
- Screws

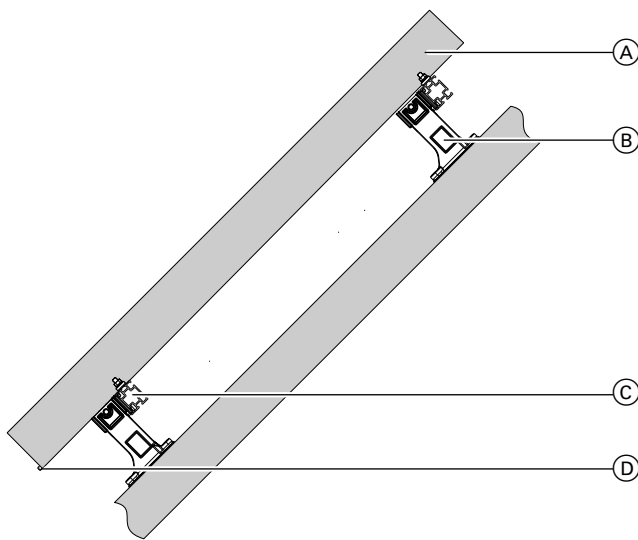
The mounting brackets are secured with screws to the on-site support elements which are matched to the individual sheet steel roof. Mounting rails are fitted directly to the mounting brackets.



- ① Vitosol-TM, for vertical installation
- ② Vitosol-TM, for horizontal installation  
Vitosol-FM/-F, for vertical and horizontal installation

### Vitosol-FM/-F flat-plate collectors

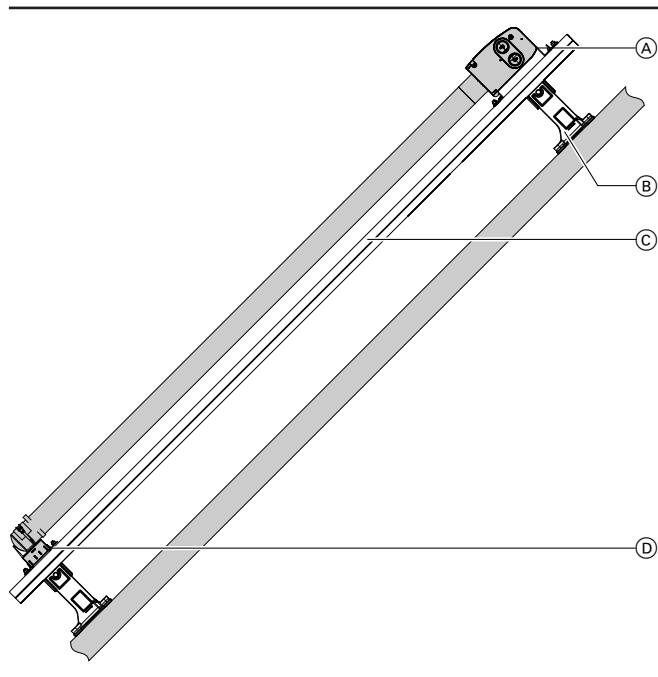
#### Vertical and horizontal installation



- Ⓐ Collector
- Ⓑ Rafter anchor
- Ⓒ Mounting rail
- Ⓓ Mounting plate

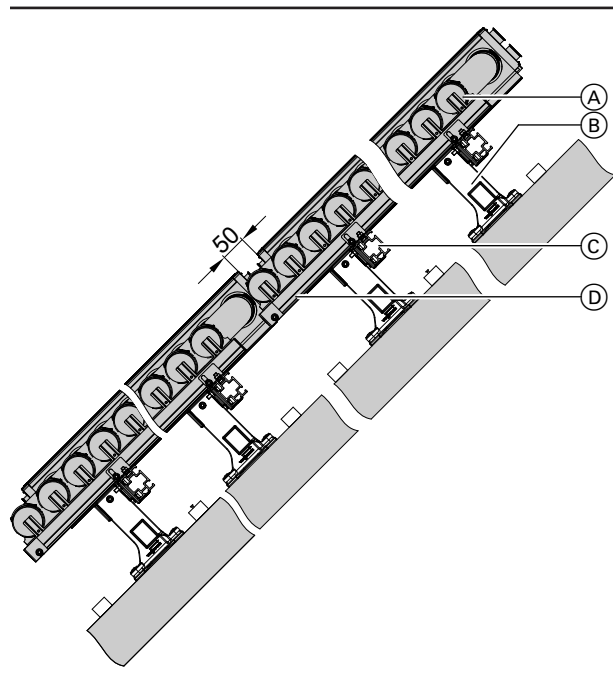
Vitosol 300-TM vacuum tube collectors, type SP3C

Vertical installation



- Ⓐ Collector
- Ⓑ Rafter anchor
- Ⓒ Mounting rail
- Ⓓ Tube retainer

Horizontal installation

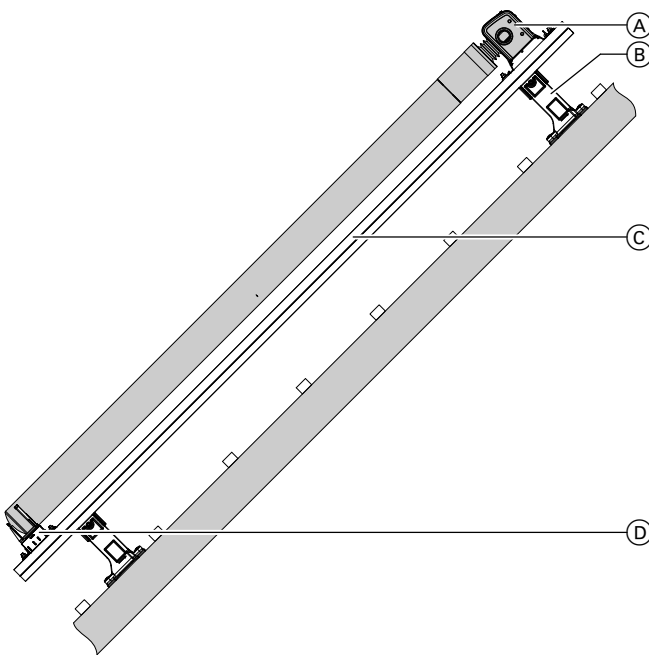


- Ⓐ Collector
- Ⓑ Rafter anchor
- Ⓒ Mounting rail
- Ⓓ Tube retainer

10

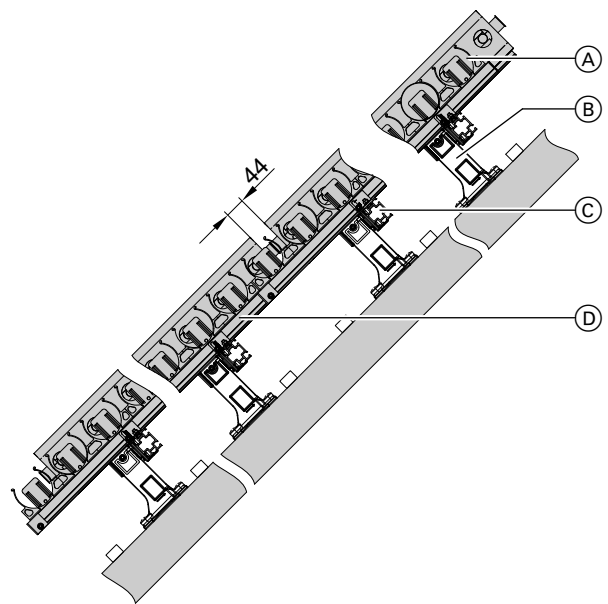
## Vitosol 200-TM vacuum tube collectors, type SPEA

### Vertical installation



- (A) Collector
- (B) Rafter anchor
- (C) Mounting rail
- (D) Tube retainer

### Horizontal installation



- (A) Collector
- (B) Rafter anchor
- (C) Mounting rail
- (D) Tube retainer

### Collector supports on pitched roofs

(For rafter anchors in conjunction with collector supports from the flat roof installation range, see page 113).

On pitched roofs with a low angle of inclination, the collector supports can be secured to the rafter anchors with the mounting rails.

Check the structural condition of the roof.

## 10.2 Above roof installation with rafter hooks

### General information

Observe the information on securing collectors on page 102.

- This fixing system is suitable for roofs with **standard roof tiles** (except Harz tiles and double-S tiles). It is designed for wind speeds up to 150 km/h and snow loads up to 1.25 kN/m<sup>2</sup>
- The fixing system comprises:
  - Rafter hooks
  - Mounting rails
  - Clamping brackets
  - Screws
- Guarantees a permanently safe load transmission to the roof structure. This reliably prevents tile breakages.
- In conjunction with above roof insulation, secure the rafter hooks on site.
 

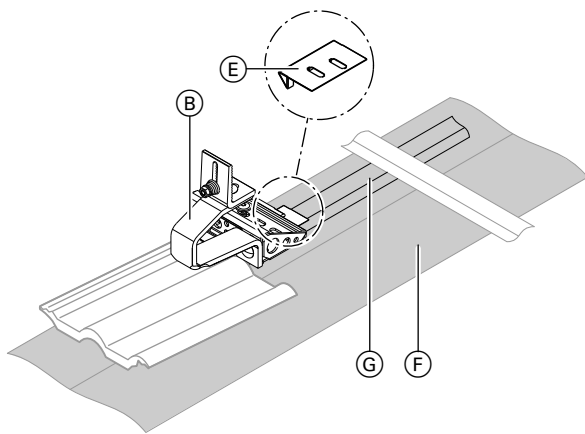
When doing so, the screws must reach **at least 80 mm** into the load bearing wood structure, to ensure sufficient load bearing capacity.
- Any unevenness in the roof can be compensated for by adjusting the rafter hooks.

### Rafter hook

- The rafter hooks are fully zinc-plated at high temperature to protect against corrosion (galvanised, 70 µm coating thickness).
- On roofs **without counter battens**, the rafter hooks are mounted directly on the rafters.
- On roofs **with counter battens**, the rafter hook is secured directly to the counter batten with a support bracket.

5822440 Criteria for selecting the fixing system:

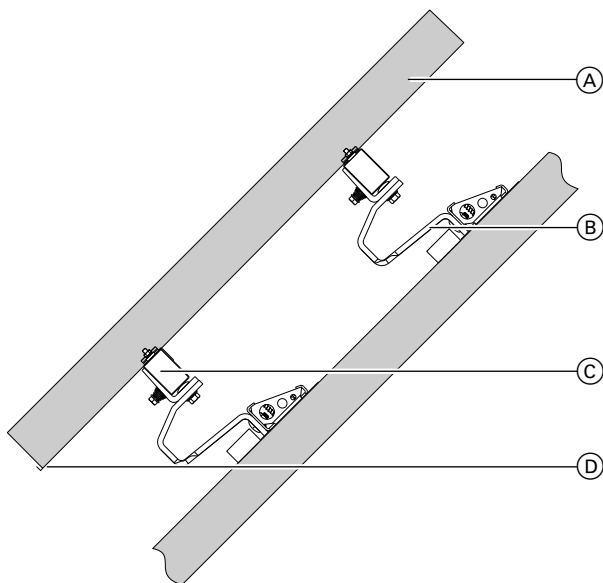
- Snow load
- Roof with or without counter battens



- (B) Rafter hook
- (E) Support bracket
- (F) Rafter
- (G) Counter batten

### Vitosol-FM/-F flat-plate collectors

Vertical and horizontal installation

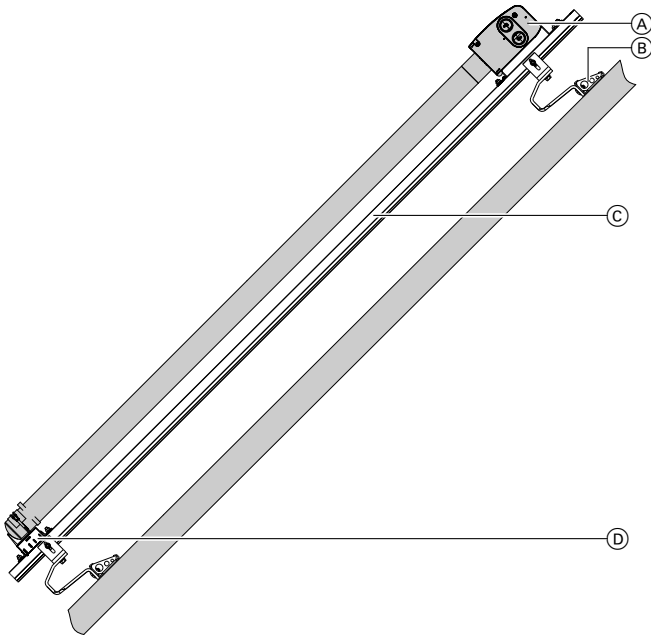


- (A) Collector
- (B) Rafter hook
- (C) Mounting rail
- (D) Mounting plate

**Design information regarding installation on pitched roofs — above roof installation (cont.)**

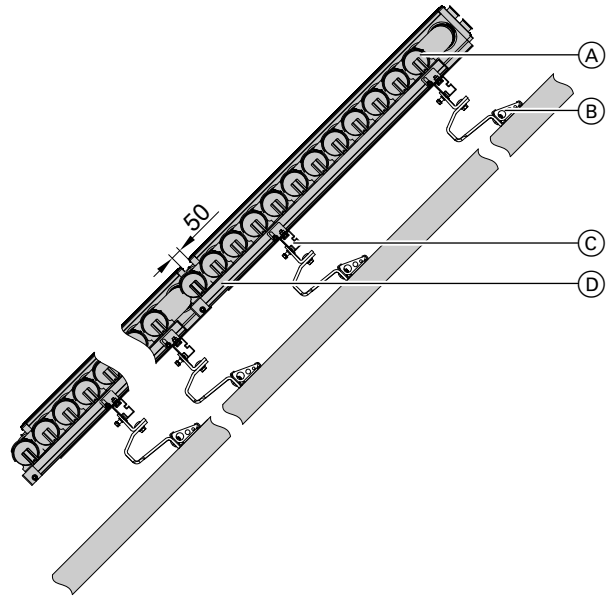
**Vitosol 300-TM vacuum tube collectors, type SP3C**

**Vertical installation**



- (A) Collector
- (B) Rafter hooks
- (C) Mounting rail
- (D) Tube retainer

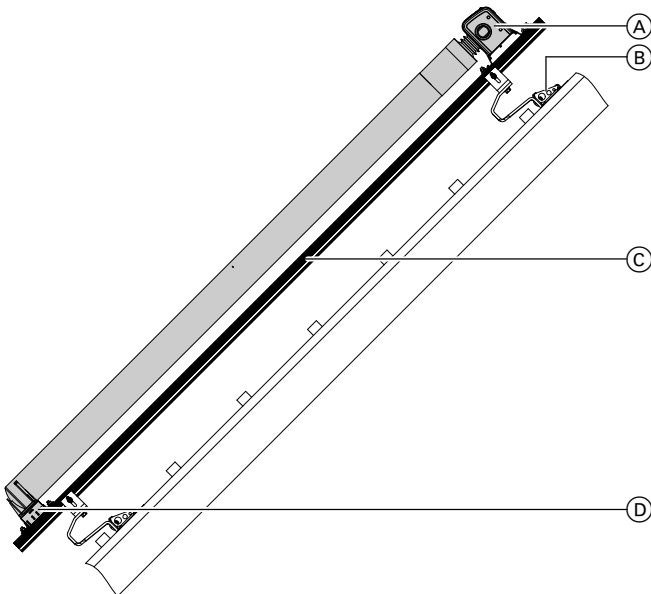
**Horizontal installation**



- (A) Collector
- (B) Rafter hooks
- (C) Mounting rail
- (D) Tube retainer

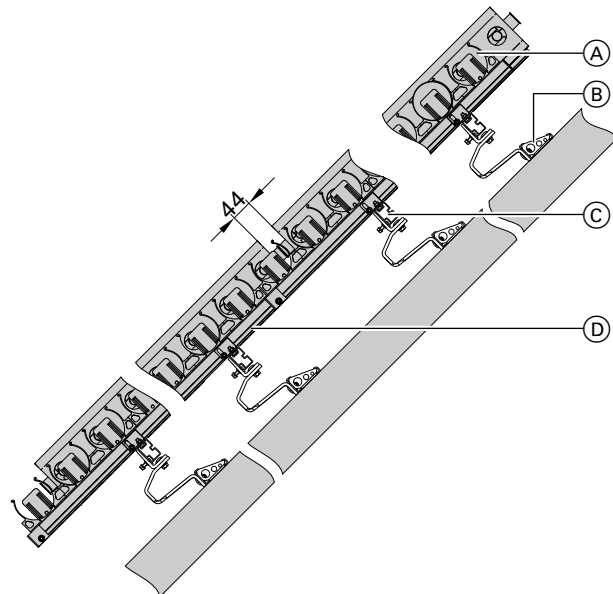
**Vitosol 200-TM vacuum tube collectors, type SPEA**

**Vertical installation**



- (A) Collector
- (B) Rafter hooks
- (C) Mounting rail
- (D) Tube retainer

**Horizontal installation**



- (A) Collector
- (B) Rafter hooks
- (C) Mounting rail
- (D) Tube retainer

5822440

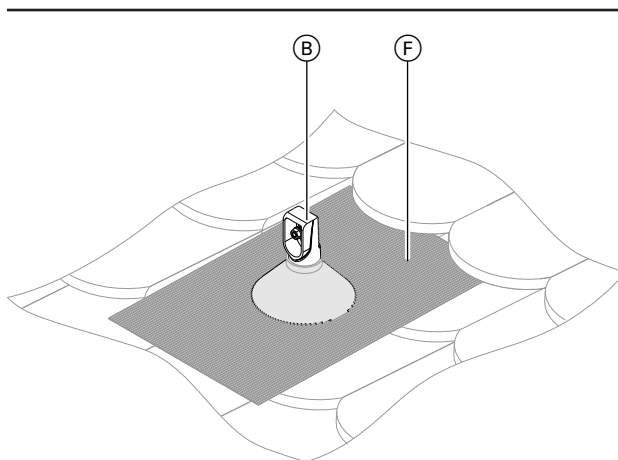
### 10.3 Above roof installation with rafter flanges

#### General information

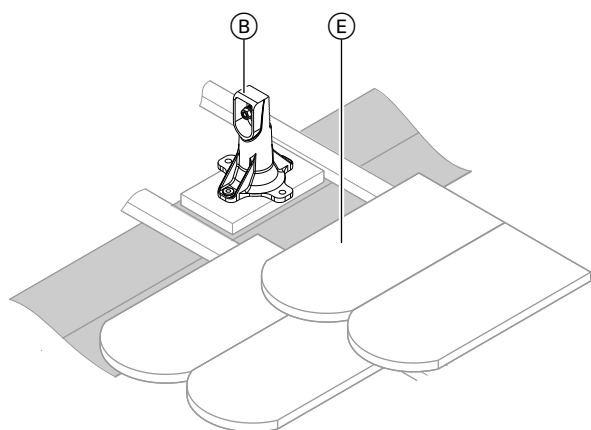
- This fixing system is suitable for roofs with **plain tiles** and **slate cover**. It is designed for wind speeds up to 150 km/h and snow loads up to 1.25 kN/m<sup>2</sup>.
- The fixing system comprises:
  - Rafter flanges
  - Mounting rails
  - Clamping brackets
  - Screws
- The rafter flanges can be secured directly to the rafters, the battens, counter battens or the timber shell.
- Guarantees a permanently safe load transmission to the roof structure. This reliably prevents tile breakages.
- In conjunction with above roof insulation, secure the rafter flanges on site.  
When doing so, the screws must reach **at least 80 mm** into the load bearing wood structure, to ensure sufficient load bearing capacity.
- Any unevenness in the roof can be compensated for by adjusting the rafter flanges.

Criteria for selecting the fixing system:

- Roof cover
- Snow load



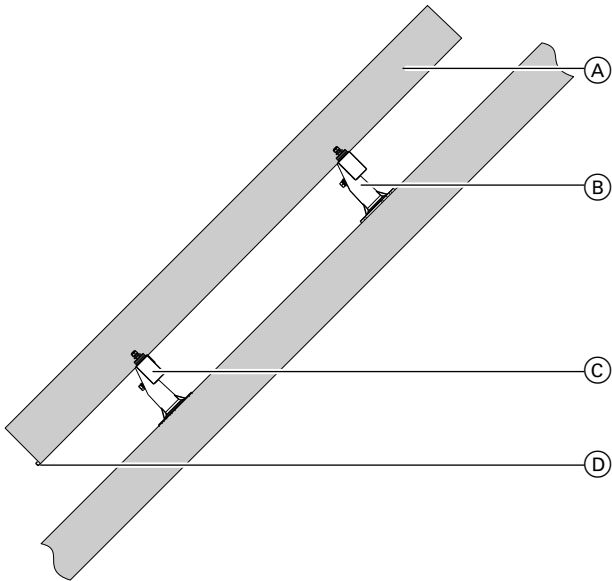
- ⓑ Rafter flange
- ⓕ Seal (fully affixed)



- ⓑ Rafter flange
- ⓔ Rafter

Vitosol-FM/-F flat-plate collectors

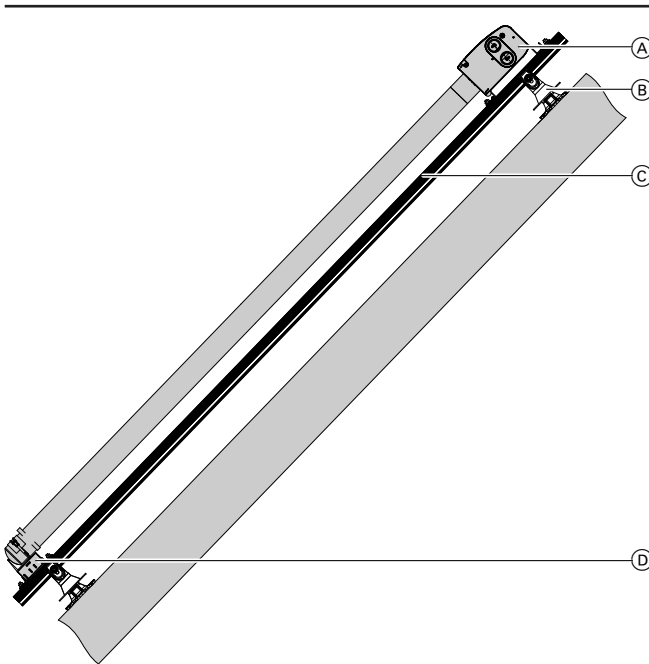
Vertical and horizontal installation



- (A) Collector
- (B) Rafter flange
- (C) Mounting rail
- (D) Mounting plate

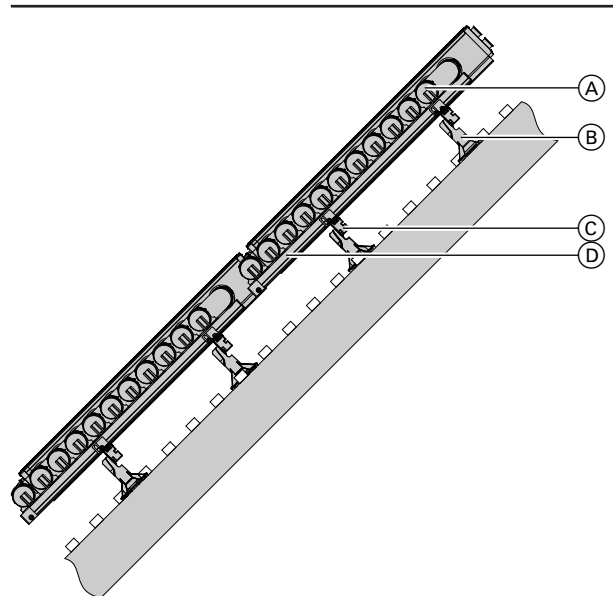
Vitosol 300-TM vacuum tube collectors, type SP3C

Vertical installation



- (A) Collector
- (B) Rafter flange
- (C) Mounting rail
- (D) Tube retainer

Horizontal installation



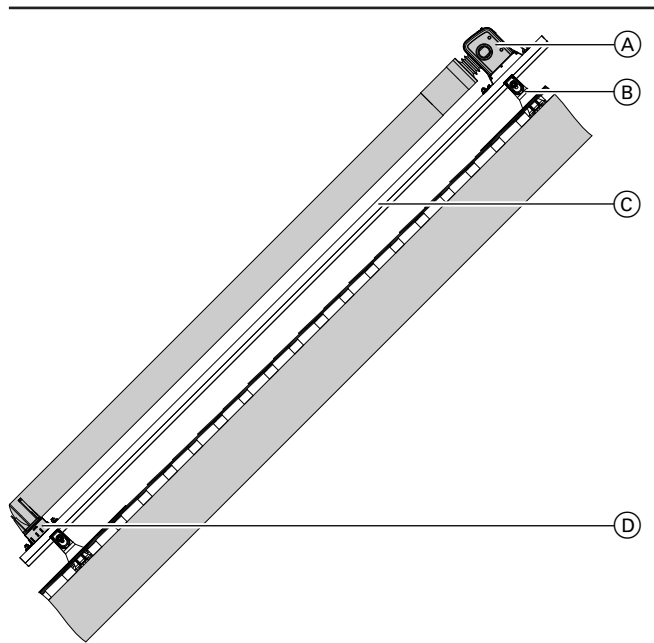
- (A) Collector
- (B) Rafter flange
- (C) Mounting rail
- (D) Tube retainer

5822440

**Design information regarding installation on pitched roofs — above roof installation (cont.)**

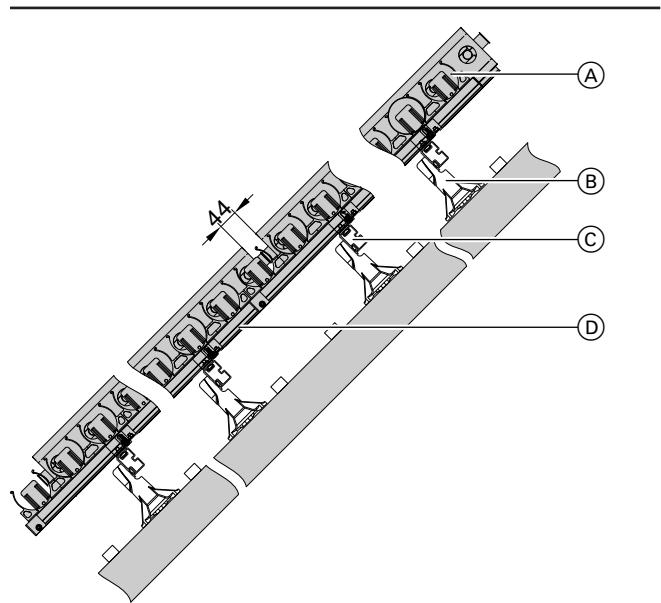
**Vitosol 200-TM vacuum tube collectors, type SPEA**

**Vertical installation**



- (A) Collector
- (B) Rafter flange
- (C) Mounting rail
- (D) Tube retainer

**Horizontal installation**

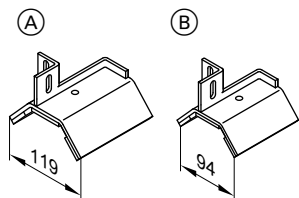


- (A) Collector
- (B) Rafter flange
- (C) Mounting rail
- (D) Tube retainer

**10.4 Above roof installation for corrugated sheet roofs**

Observe the information on securing collectors on page 102.

- This fixing system is suitable for corrugated sheet roofs.
- The fixing system comprises:
  - Fixing hooks
  - Mounting rails
  - Clamping brackets
  - Screws.
- The loads are transmitted to the roof structure in a number of ways, including via the fixing hooks and the roof cover. As the load transmission can vary greatly, the possibility of damage in conjunction with applied loads can not be fully excluded. We therefore recommend providing safety measures on site to ensure the tightness of the roof.



- (A) Mounting hook for corrugated sheet profiles 5 and 6
- (B) Mounting hook for corrugated sheet profile 8



## 10.5 Above roof installation for sheet metal roofs

### General information

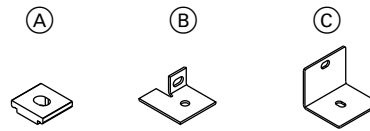
Observe the information on securing collectors on page 102.

The fixing system comprises:

- Mounting bracket
- Mounting rails
- Clamping brackets
- Screws

The mounting brackets are secured with screws to the on-site support elements (matched to the individual sheet steel roof).

Mounting rails are fitted directly to the mounting brackets.



- (A) Vitosol-FM/-F, for vertical and horizontal installation
- (B) Vitosol-TM, for vertical installation
- (C) Vitosol-TM, for horizontal installation

## Design information regarding flat roof installation

### 11.1 Calculating collector row clearance "z"

At sunrise and sunset (when the sun is very low), shading cannot be avoided when collectors are arranged behind one another. To keep the reduction in yield within acceptable parameters, observe specific row spacing (dimension z) in accordance with VDI Guideline 6002-1. When the sun is at its highest on the shortest day of the year (21/12), the rows at the back should be free of shading.

The angle of the sun  $\beta$  (at midday) on 21/12 must be used to calculate the row spacing.

In Germany, this angle lies between 11.5° (Flensburg) and 19.5° (Constance), depending on latitude.

Example with Vitosol-FM/-F, type SH

$h = 1056 \text{ mm}$

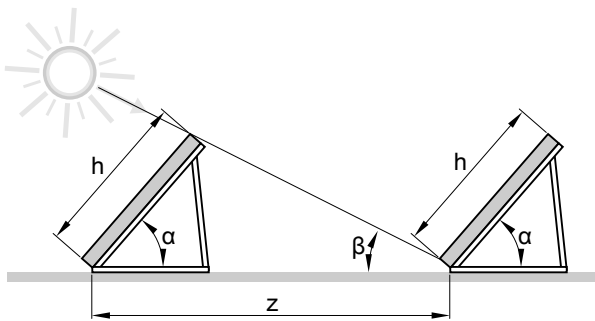
$\alpha = 45^\circ$

$\beta = 16.5^\circ$

$$z = \frac{h \cdot \sin(180^\circ - (\alpha + \beta))}{\sin \beta}$$

$$z = \frac{1056 \text{ mm} \cdot \sin(180^\circ - 61.5^\circ)}{\sin 16.5^\circ}$$

$z = 3268 \text{ mm}$



$$\frac{z}{h} = \frac{\sin(180^\circ - (\alpha + \beta))}{\sin \beta}$$

$z$  = Collector row spacing

$h$  = Collector height (for dimensions see chapter "Specification" for the relevant collector)

$\alpha$  = Angle of collector inclination

$\beta$  = Angle of the sun

#### Example:

Würzburg is approximately located on latitude 50° north.

In the northern hemisphere, this value is deducted from a fixed angle of 66.5°:

Angle  $\beta = 66.5^\circ - 50^\circ = 16.5^\circ$

$\alpha$	Collector row clearance $z$ in mm			
	Vitosol-FM/-F		Vitosol 300-TM, type SP3C	Vitosol 200-TM, type SPEA
	Type SV	Type SH		
<b>Flensburg</b>				
25°	6890	3060	6686	—
30°	7630	5715	7448	7511
35°	8370	3720	8154	—
45°	9600	4260	9373	9453
50°	10100	4490	9878	—
60°	10890	4830	10660	10750
<b>Kassel</b>				
25°	5830	2590	5446	—
30°	6385	2845	5981	6032
35°	6940	3100	6471	—
45°	7840	3480	7299	7360
50°	8190	3640	7631	—
60°	8720	3870	8119	8187
<b>Munich</b>				
25°	5160	2290	4862	—
30°	5595	2485	5290	5772
35°	6030	2680	5677	—
45°	6710	2980	6321	6993
50°	6980	3100	6571	—
60°	7350	3260	6921	7737

## 11.2 Vitosol-FM/-F flat-plate collectors (on collector supports)

Observe the information on securing collectors on page 102.

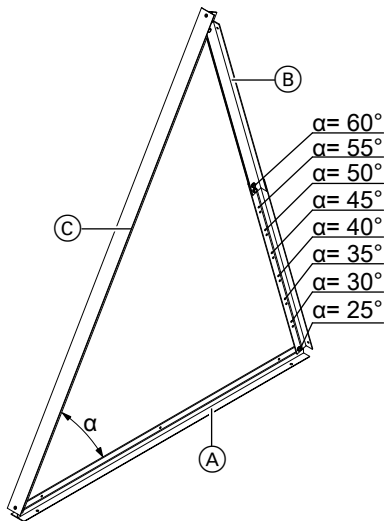
Viessmann offers 2 collector supports for fixing the collectors:

- With a **variable angle of inclination** (snow loads up to 2.55 kN/m<sup>2</sup>, wind speeds up to 150 km/h):  
The collector supports are pre-assembled. They consist of the base rail, collector support and adjustable support with holes for adjusting the angle of inclination (see the following chapter).
- With **fixed angles of inclination** of 30°, 45° and 60° (snow loads up to 1.5 kN/m<sup>2</sup>, wind speeds up to 150 km/h):  
Collector supports with footplates (see page 117 onwards).  
For this version the angle of inclination is calculated from the distance between the footplates.

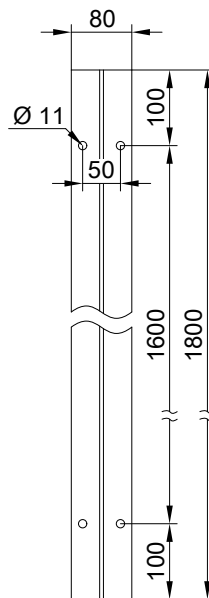
Cross braces are required for 1 to 6 collectors connected side by side to secure the support.

### Collector supports with variable angle of inclination

Type SV — angle of inclination  $\alpha$  25 to 60°



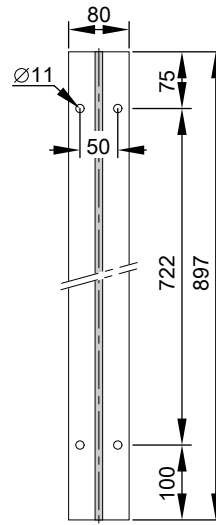
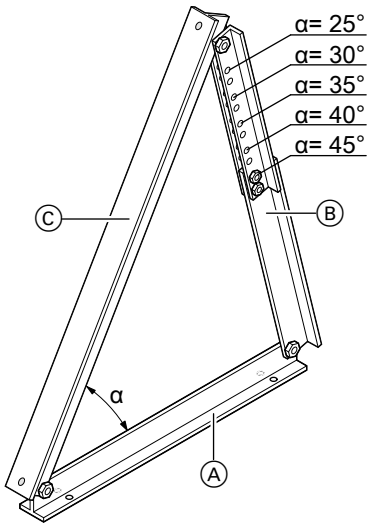
- (A) Base rail
- (B) Adjustable support
- (C) Collector support



Base rail hole dimensions

## Design information regarding flat roof installation (cont.)

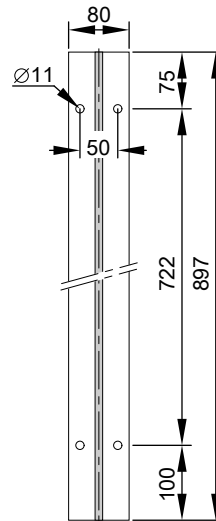
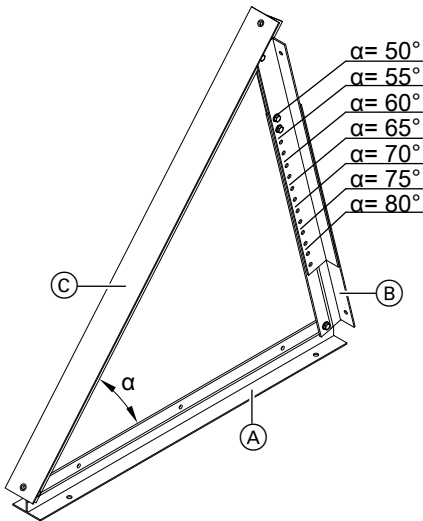
### Type SH — angle of inclination $\alpha$ 25 to 45°



- (A) Base rail
- (B) Adjustable support
- (C) Collector support

Base rail hole dimensions

### Type SH — angle of inclination $\alpha$ 50 to 80°

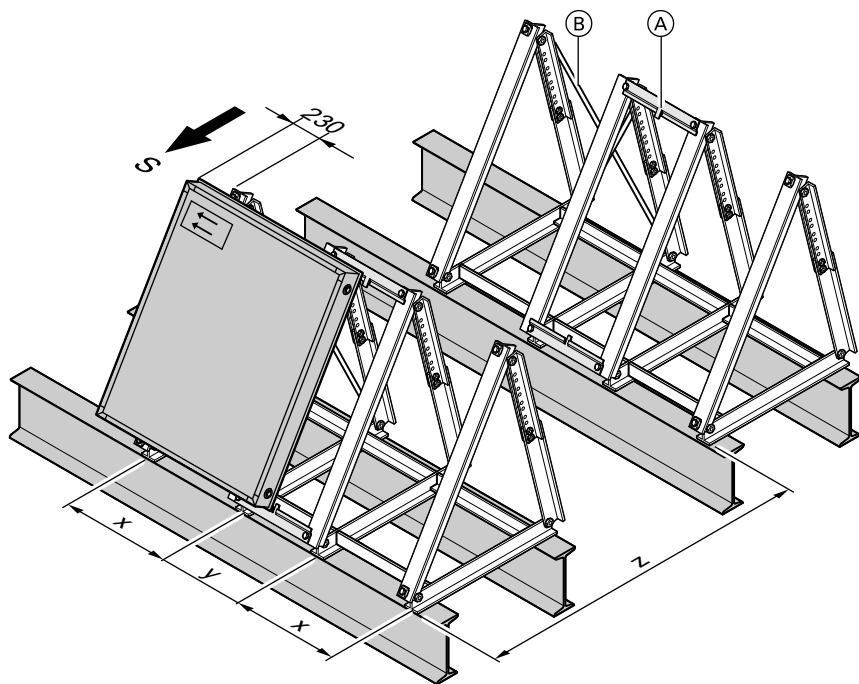


- (A) Base rail
- (B) Adjustable support
- (C) Collector support

Base rail hole dimensions

## Design information regarding flat roof installation (cont.)

Type SV and SH — installation on an on-site substructure, e.g. steel beams

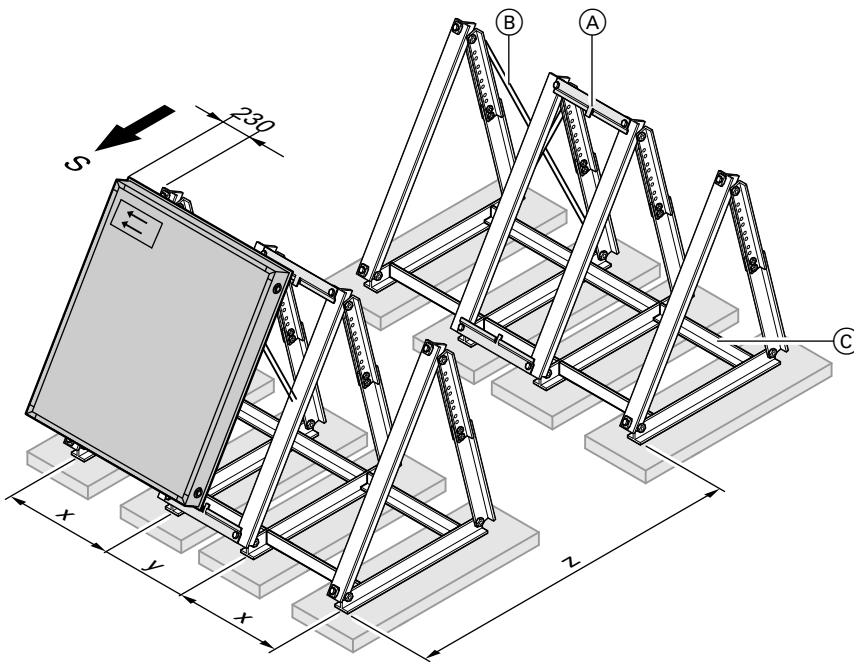


- Ⓐ Joining plate
- Ⓑ Cross brace

Type	SV	SH
x in mm	595	1920
y in mm	481	481
z in mm	See page 113.	See page 113.

## Design information regarding flat roof installation (cont.)

Type SV and SH — installation on concrete slabs

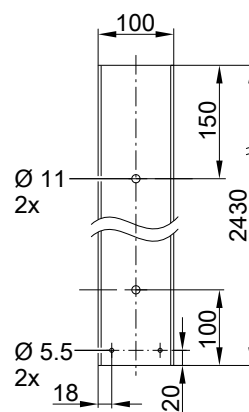
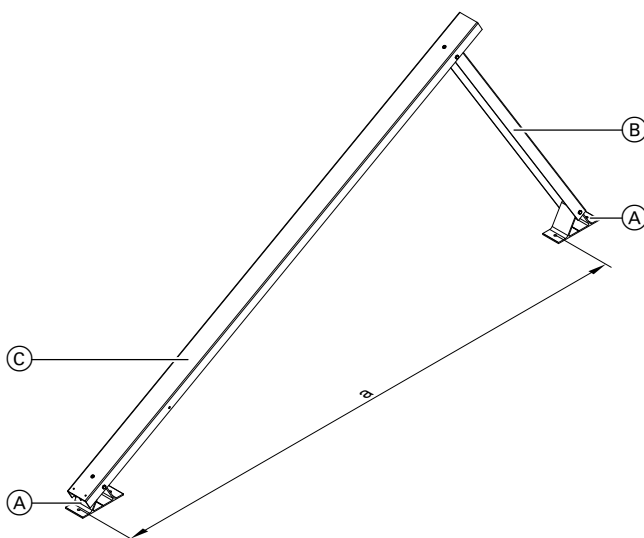


- (A) Joining plate
- (B) Cross brace
- (C) Support rail (only on roofs with gravel ballast layer)

Type	SV	SH
x in mm	595	1920
y in mm	481	481
z in mm	See page 113.	See page 113.

## Collector supports with fixed angle of inclination

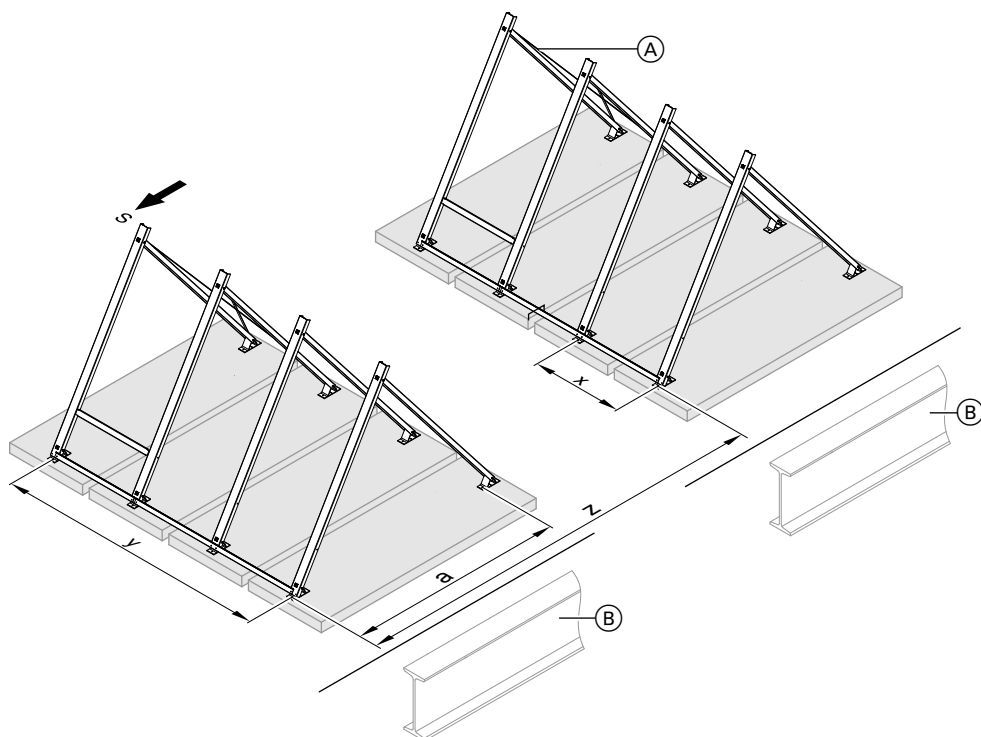
Type SV and SH



Type	SV	SH
a	mm	2580
		1000

- (A) Footplates
- (B) Adjustable support
- (C) Collector support

5822440



Example: Fixing for 3 collectors

- (A) Cross brace
- (B) On-site substructure, e.g. steel beams (on site)

Type	SV	SH
x in mm	1080	2400
z in mm	See page 113.	See page 113.

Number of collectors	y in mm	
	Type SV	Type SH
1	1080	2400
2	2155	4805
3	3235	7205
4	4310	9610
5	5390	12010
6	6470	14410
7	7545	16815
8	8625	19215
9	9700	21620
10	10780	24020
11	11860	26420
12	12935	28825
13	14015	31225
14	15090	33630
15	16170	36030

### 11.3 Vacuum tube collectors (on collector supports)

Observe the information on securing collectors on page 102.

## Design information regarding flat roof installation (cont.)

Viessmann offers 2 collector supports for fixing the collectors:

- With a **variable angle of inclination** of 25 to 50° (snow loads up to 2.55 kN/m<sup>2</sup>, wind speeds up to 150 km/h):

The collector supports are pre-assembled. They consist of the base rail, collector support and adjustable support with holes for adjusting the angle of inclination (see the following chapter).

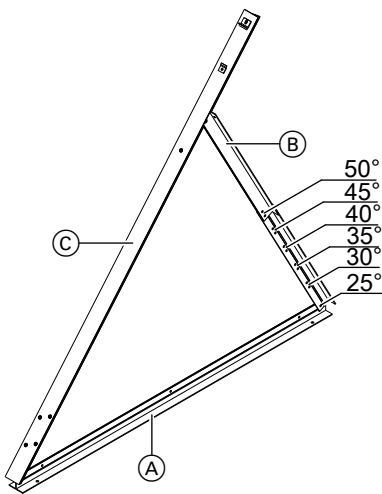
- With a **fixed angle of inclination** (snow loads up to 1.5 kN/m<sup>2</sup>, wind speeds up to 150 km/h):

Collector supports with mounting feet (see page 120 onwards).

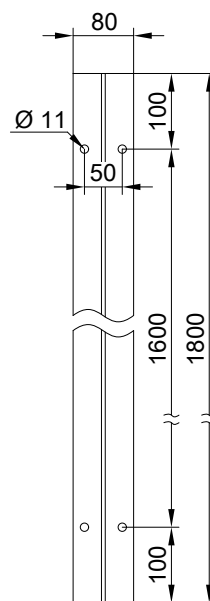
For this version the angle of inclination is calculated from the distance between the mounting feet.

Cross braces are required for 1 to 6 collectors connected side by side to secure the support.

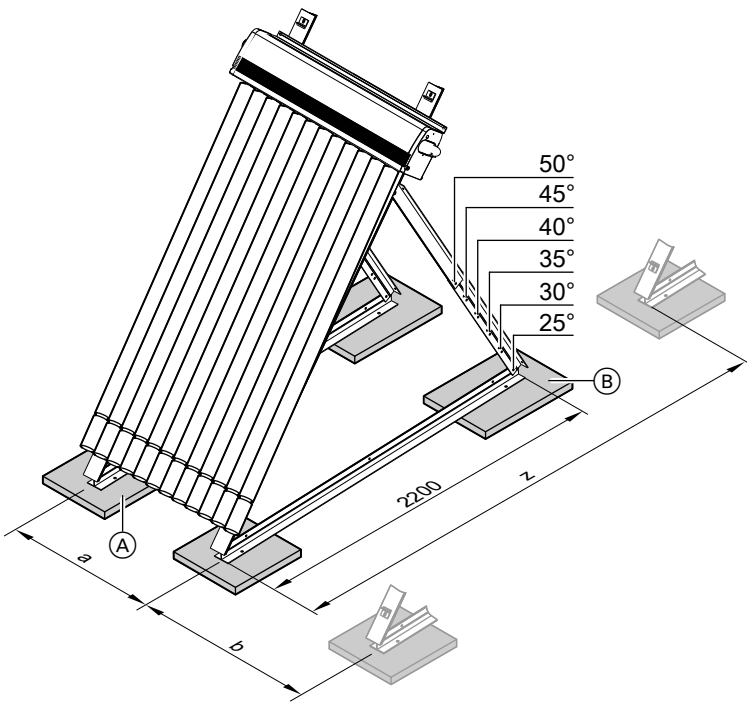
### Collector supports with variable angle of inclination



- (A) Base rail
- (B) Adjustable support
- (C) Collector support



Base rail hole dimensions



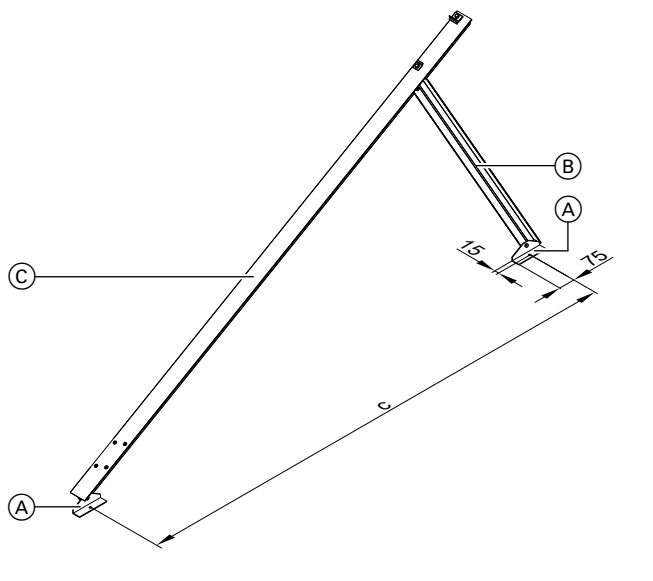
For calculating distance "z" between collector rows, see page 113.

- (A) Support slab A
- (B) Support slab B

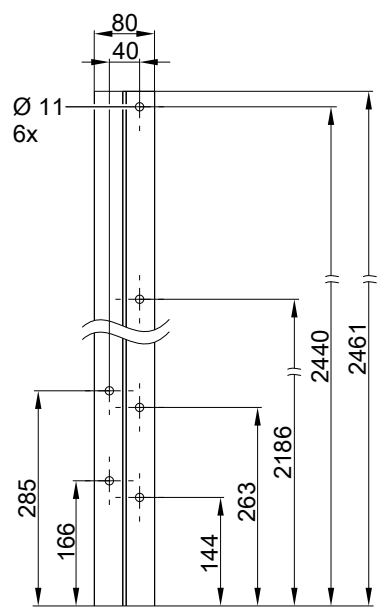
**Vitosol 300-TM, type SP3C**

Combination	a	mm	b	mm
1.51 m <sup>2</sup> /1.51 m <sup>2</sup>		505/505		595
1.51 m <sup>2</sup> /3.03 m <sup>2</sup>		505/1010		850
3.03 m <sup>2</sup> /3.03 m <sup>2</sup>		1010/1010		1100

**Collector supports with fixed angle of inclination**



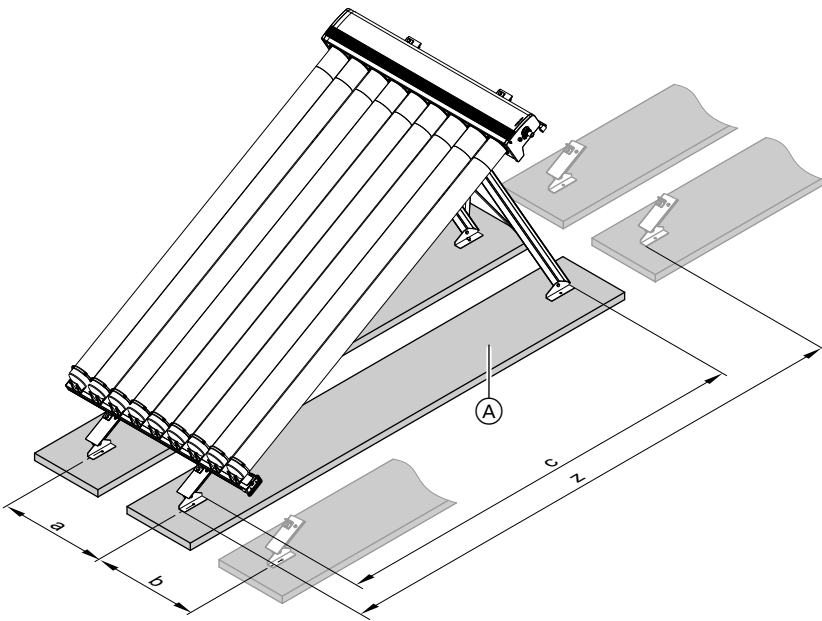
- (A) Mounting feet
- (B) Adjustable support
- (C) Collector support



Angle of inclination	30°	45°	60°
c in mm	2413	2200	1838

5822440





For calculating distance "z" between collector rows, see page 113.

(A) Support slabs

**Vitosol 200-TM, type SPEA**

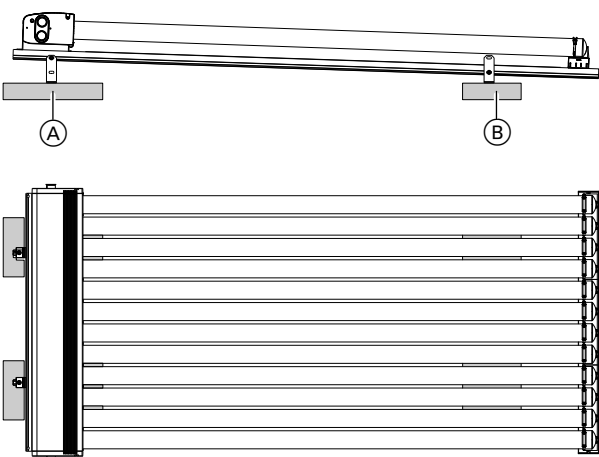
Combination	a	mm	b	mm
1.63 m <sup>2</sup> /1.63 m <sup>2</sup>		600/600		655
1.63 m <sup>2</sup> /3.26 m <sup>2</sup>		600/1200		947
3.26 m <sup>2</sup> /3.26 m <sup>2</sup>		1200/1200		1231

**Vitosol 300-TM, type SP3C**

Combination	a	mm	b	mm
1.51 m <sup>2</sup> /1.51 m <sup>2</sup>		505/505		595
1.51 m <sup>2</sup> /3.03 m <sup>2</sup>		505/1010		850
3.03 m <sup>2</sup> /3.03 m <sup>2</sup>		1010/1010		1100

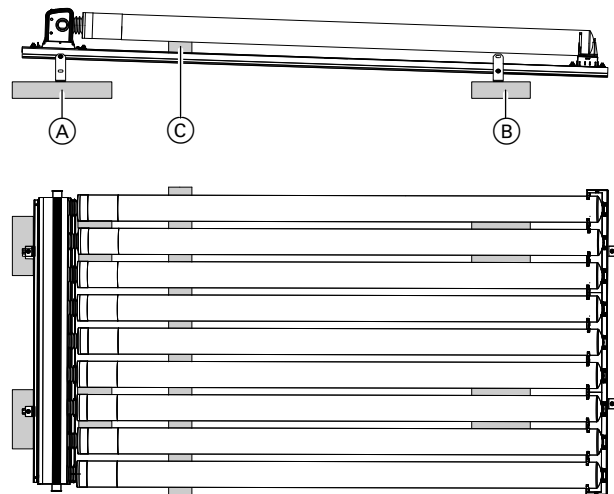
**11.4 Vitosol 200-TM vacuum tube collectors, type SPEA and Vitosol 300-TM, type SP3BC (horizontal)**

Observe the information on securing collectors on page 101.



Vitosol 300-TM, type SP3C

(A) Support slab A  
(B) Support slab B



Vitosol 200-TM, type SPEA

(A) Support slab A  
(B) Support slab B  
(C) Auxiliary rail for high snow loads

5822440 **Type SP3C**  
Horizontal installation for snow loads up to 1.5 kN/m<sup>2</sup> and wind loads up to 150 km/h

■ The yield can be optimised by rotating the vacuum tubes 25° to the horizontal.

## Design information regarding flat roof installation (cont.)

### Type SPEA

Horizontal installation for snow loads up to 0.75 kN/m<sup>2</sup> and wind loads up to 150 km/h.

For snow loads up to 1.5 kN/m<sup>2</sup> with auxiliary rail ©

- The yield can be optimised by rotating the vacuum tubes 45° to the horizontal.

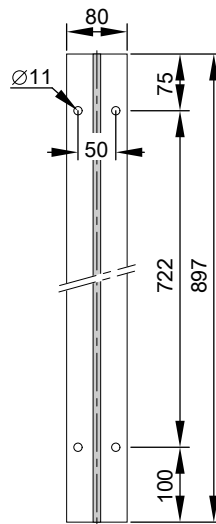
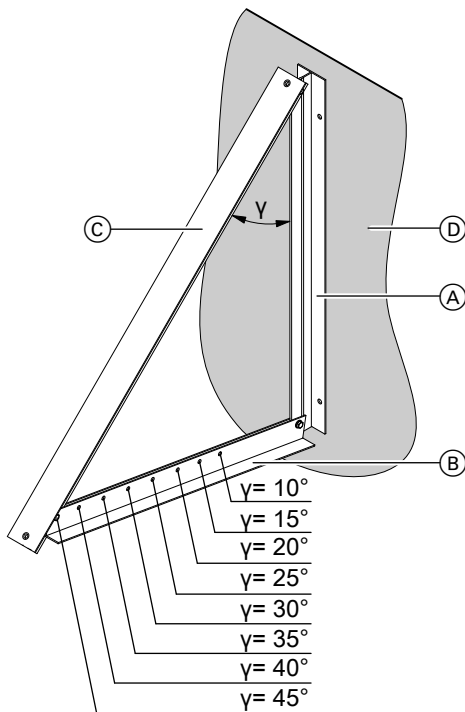
## Design information for installation on walls

### 12.1 Vitosol-FM/-F flat-plate collectors, type SH

Observe the information on securing collectors on page 101. The collector supports are pre-assembled. They consist of a base rail, a collector support and adjustable supports. The adjustable supports contain holes for adjusting the angle of inclination.

The fixing materials, e.g. screws, are to be provided on site.

#### Collector supports – angle $\gamma$ 10 to 45°



Base rail hole dimensions

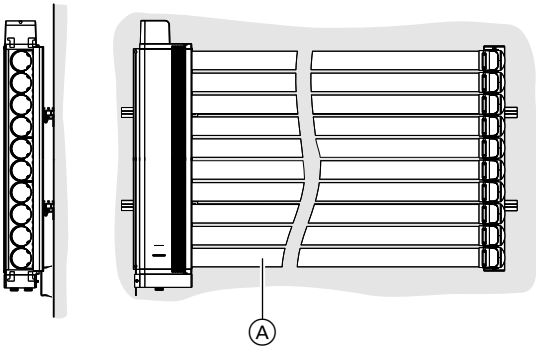
- Ⓐ Base rail
- Ⓑ Adjustable support
- Ⓒ Collector support
- Ⓓ Wall

### 12.2 Vitosol 300-TM vacuum tube collectors, type SP3C

Observe the information on securing collectors on page 102.

For installation on balconies a special balcony module sized 1.26 m<sup>2</sup> is available.

## Design information for installation on walls (cont.)



(A) Wall or balcony

The yield can be optimised by rotating the individual tubes by 25°. Establish the hydraulic connection from below.

## Information regarding design and operation

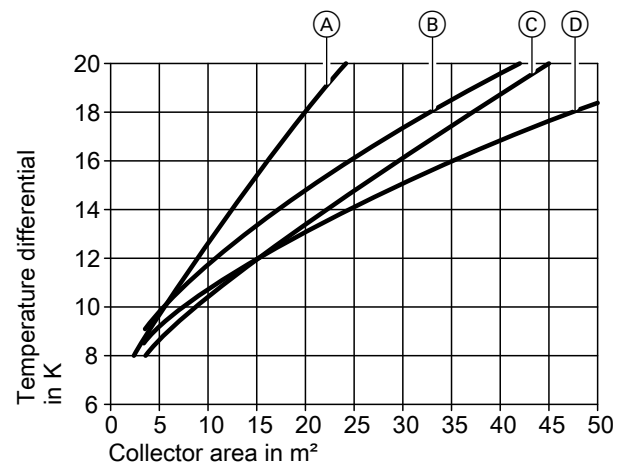
### 13.1 Sizing the solar thermal system

All sizing recommended below relates to German climatic conditions and common utilisation profiles in the home. These profiles are stored in the Viessmann "Solcalc Thermie" calculation program and correspond to the suggestions of VDI 6002-1 for apartment buildings.

Under these prerequisites, a design output of 600 W/m<sup>2</sup> is assumed for all heat exchangers. The maximum yield of a solar thermal system is assumed to be approx. 4 kWh/(m<sup>2</sup>d). This value fluctuates depending on the product and location. To enable this heat yield to be transferred to the cylinder system, a ratio of approx. 50 l cylinder volume per m<sup>2</sup> aperture area is determined for all conventional designs. This ratio may change in relation to the system (subject to solar coverage and utilisation profiles). In such cases, a system simulation is unavoidable.

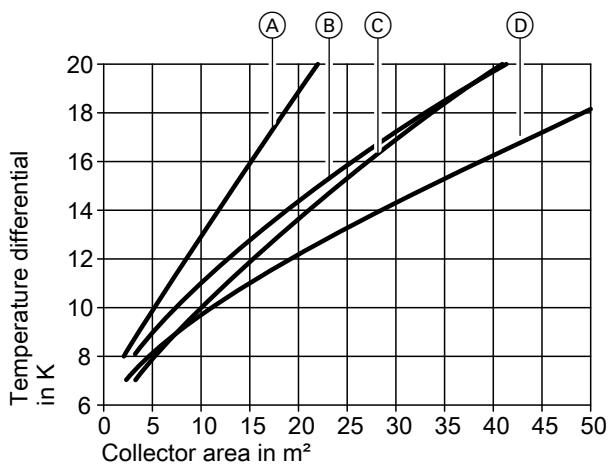
Irrespective of the capacity, in relation to the transferable output, only a limited number of collectors can be connected to the various DHW cylinders.

The transfer rate of the internal indirect coils depends on the temperature differential between the collector and cylinder temperatures.



Flow rate 25 l/(hm<sup>2</sup>)

- (A) Vitocell 100-B, 300 l  
Indirect coil surface area 1.5 m<sup>2</sup>
- (B) Vitocell-M/Vitocell-E, 750 l  
Indirect coil surface area 1.8 m<sup>2</sup>
- (C) Vitocell 100-B, 500 l  
Indirect coil surface area 1.9 m<sup>2</sup>
- (D) Vitocell-M/Vitocell-E, 950 l  
Indirect coil surface area 2.1 m<sup>2</sup>



Flow rate 40 l/(hm<sup>2</sup>)

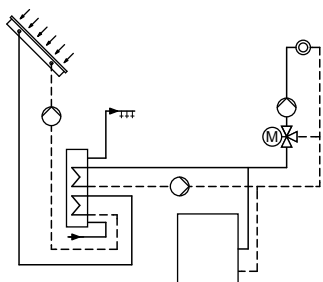
- (A) Vitocell 100-B, 300 l  
Indirect coil surface area 1.5 m<sup>2</sup>
- (B) Vitocell-M/Vitocell-E, 750 l  
Indirect coil surface area 1.8 m<sup>2</sup>
- (C) Vitocell 100-B, 500 l  
Indirect coil surface area 1.9 m<sup>2</sup>
- (D) Vitocell-M/Vitocell-E, 950 l  
Indirect coil surface area 2.1 m<sup>2</sup>

### System for heating DHW

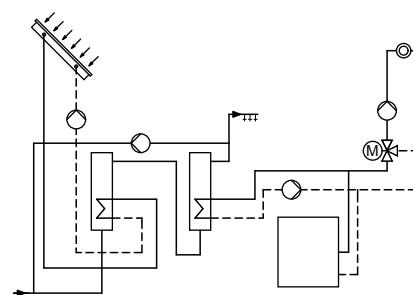
DHW heating in detached houses can be realised either with one dual mode DHW cylinder or with two mono mode DHW cylinders (for retrofitting an existing system).

#### Examples

For further detailed examples, see the "System examples" manual.



System with a dual mode DHW cylinder



System with 2 mono mode DHW cylinders

The basis for sizing a solar thermal system for DHW heating is the DHW demand.

Viessmann packs are sized for solar coverage of approx. 60 %. The cylinder capacity must be greater than the daily DHW demand, taking the required DHW temperature into account.

To achieve solar coverage of approx. 60 %, the collector system must be sized so that the entire cylinder capacity can be heated on a single sunny day (5 hours of full sunshine) to at least 60 °C. This would allow for a subsequent day with poor insolation to be bridged.

## Information regarding design and operation (cont.)

Occupants	Daily DHW demand in l (60 °C)	Cylinder capacity in l		Collector	
		Dual mode	Mono mode	Number Vitosol-FM/-F SV/SH	Surface area Vitosol-TM
2	60	250/300	160	2	1 x 3.03 m <sup>2</sup>
3	90				
4	120				
5	150	300/400	200	3	1 x 3.03 m <sup>2</sup>
6	180	400			1 x 1.51 m <sup>2</sup>
8	240	500	300	4	2 x 3.03 m <sup>2</sup>
10	300				
12	360		500	5	2 x 3.03 m <sup>2</sup>
					1 x 1.51 m <sup>2</sup>
15	450				3 x 3.03 m <sup>2</sup>

The details in the table apply under the following conditions:

- SW, S or SE orientation
- Roof pitches from 25 to 55°

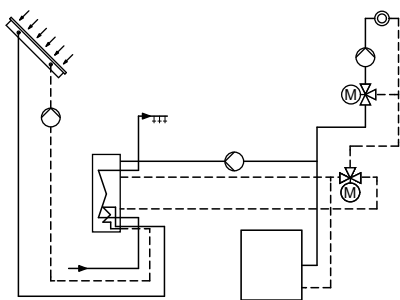
### System for DHW heating and central heating backup

Systems for central heating backup can be designed with very simple hydraulic connections by using a heating water buffer cylinder with integral DHW heating, e.g. Vitocell 340-M or Vitocell 360-M. A Vitocell 140-E or 160-E heating water buffer cylinder, combined with a dual mode DHW cylinder or Vitotrans 353, can be used as an alternative. The Vitotrans 353 generates DHW in accordance with the instantaneous water heater principle, enabling high draw-off rates to be achieved. Static DHW volumes are reduced to a minimum.

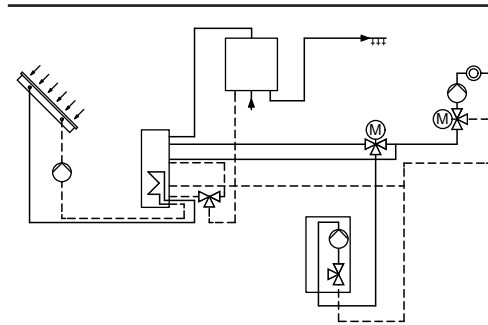
The stratification system inside the Vitocell 360-M and Vitocell 160-E optimises the heating of the buffer cylinder. The water inside the buffer cylinder that is heated by solar energy is channelled by a heating lance directly into the upper area of the buffer cylinder. Consequently, DHW is made available more rapidly.

#### Examples

For further detailed examples, see the "System examples" manual.

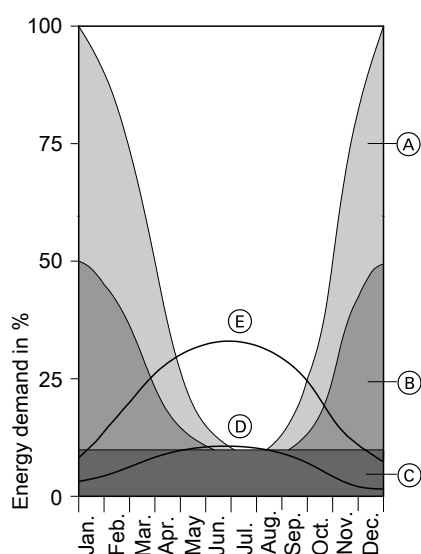


System with Vitocell-M heating water buffer cylinder



System with Vitocell-E heating water buffer cylinder and Vitotrans 353

For sizing a system for DHW heating and central heating backup, the seasonal efficiency of the entire heating system must be taken into consideration. The summer heat demand is always decisive. This is a combination of the heat demand for DHW heating and other project-specific consumers. The collector area must be sized for this demand. The calculated collector area is multiplied by a factor of 2 to 2.5. The result is the range within which the collector area should be for solar central heating backup. The precise determination is then made taking into consideration the building conditions and the design of an operationally reliable collector array.



- (A) Central heating demand for a house (built in approx. 1984 or later)
- (B) Central heating demand for a low energy house
- (C) DHW demand
- (D) Solar yield at 5 m<sup>2</sup> absorber area
- (E) Solar yield at 15 m<sup>2</sup> absorber area

Occupants	Daily DHW demand in l (60 °C)	Buffer cylinder capacity in l	Collector	
			No. of Vitosol-FM/-F	Vitosol-TM area
2	60	750	4 x SV 4 x SH	2 x 3.03 m <sup>2</sup>
3	90			
4	120			
5	150	750/950	4 x SV 4 x SH	2 x 3.03 m <sup>2</sup>
6	180			
7	210	950	6 x SV 6 x SH	3 x 3.03 m <sup>2</sup>
8	240			

For low energy houses (heat demand less than 50 kWh/(m<sup>2</sup>·p.a.)), solar coverage of up to 35 %, relative to the total energy demand, incl. DHW heating, can be achieved according to this sizing. For buildings with a higher heat demand, the coverage is lower.

The Viessmann "SolCalc Thermie" calculation program can be used for the exact calculation.

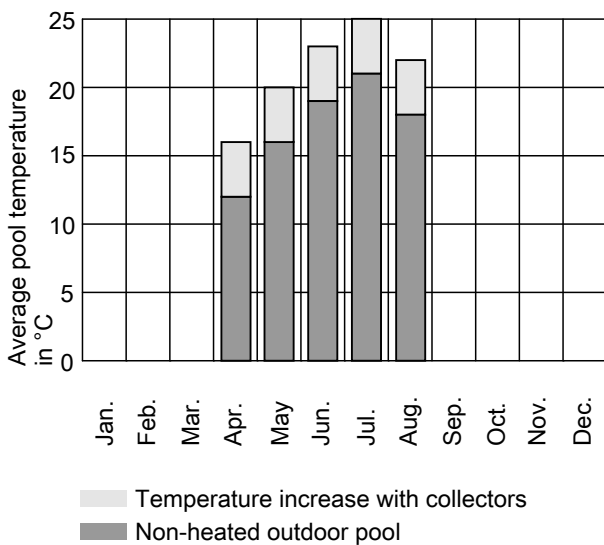
## Swimming pool heating system – heat exchanger and collector

### Outdoor pools

In central Europe, outdoor pools are used between May and September. Your energy consumption depends primarily on the leakage rate, evaporation, loss (water must be replenished cold) and transmission heat loss. By using a cover, the evaporation and consequently the energy demand of the pool can be reduced to a minimum. The largest energy input comes directly from the sun, which shines onto the pool surface. Therefore the pool has a "natural" base temperature that can be shown in the following diagram as an average pool temperature over the operating time.

A solar thermal system does not alter this typical temperature pattern. The solar application leads to a definite increase in the base temperature. Subject to the ratio between the pool surface and the absorber area, a different temperature increase can be reached.

## Information regarding design and operation (cont.)



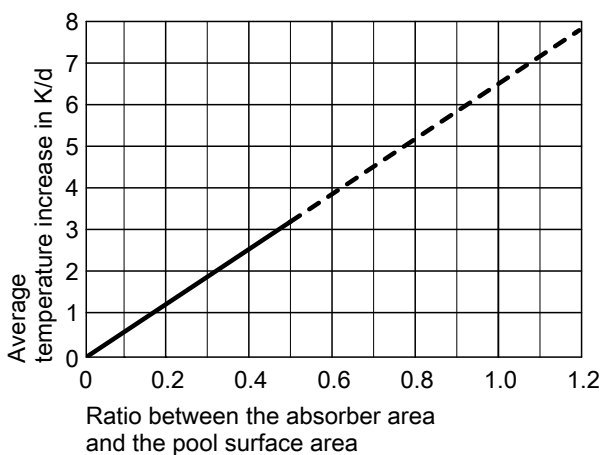
Typical temperature curve of an outdoor pool (average monthly values)

Location: Würzburg  
 Pool surface area: 40 m<sup>2</sup>  
 Depth: 1.5 m  
 Position: Sheltered and covered at night

The following diagram shows the average temperature increase that can be achieved with various ratios of absorber area to pool surface area. This ratio is independent of the collector type used due to the comparably low collector temperatures and the operating period (summer).

### Note

Heating and maintaining the pool temperature at a higher set temperature using a conventional heating system does not alter this ratio. However, the pool will be heated up much more quickly.



Vitotrans 200, type WTT	Part no.	3003453	3003454	3003455	3003456	3003457
Max. connectable absorber area Vitosol	m <sup>2</sup>	28	42	70	116	163

### Indoor pools

Indoor pools have a higher target temperature than outdoor pools and are used throughout the year. If, over the course of the year, a constant pool temperature is required, indoor pools must be heated in dual mode. To avoid sizing errors, the energy demand of the pool must be measured. For this, suspend reheating for 48 hours and determine the temperature at the beginning and end of the test period. The daily energy demand can therefore be calculated from the temperature differential and the content of the pool. For new projects, the heat demand of the swimming pool must be calculated. On a summer's day (clear skies), a collector system used to heat a swimming pool in central Europe produces energy of approx. 4.5 kWh/m<sup>2</sup> absorber area.

Calculation example for Vitosol 200-FM/F

Pool surface area:	36 m <sup>2</sup>
Average pool depth:	1.5 m
Pool capacity:	54 m <sup>3</sup>
Temperature loss over 2 days:	2 K
Daily energy demand:	54 m <sup>3</sup> · 1 K · 1.16 (kWh/K · m <sup>3</sup> ) = 62.6 kWh
Collector area:	62.6 kWh : 4.5 kWh/m <sup>2</sup> = 13.9 m <sup>2</sup>

This corresponds to 6 collectors.

For a first approximation (cost estimate), an average temperature loss of 1 K/day can be used. With an average pool depth of 1.5 m, an energy demand of approx. 1.74 kWh/(d · m<sup>2</sup> pool surface area) is required to maintain the set temperature. It is therefore sensible to use an absorber area of approx. 0.4 m<sup>2</sup> per m<sup>2</sup> of pool surface area. Under the following conditions, never exceed the max. absorber area stated in the table:

- Design output of 600 W/m<sup>2</sup>
- Max. temperature differential between the swimming pool water (heat exchanger flow) and the solar circuit return 10 K

## 13.2 Solar thermal system operating modes

### Flow rate in the collector array

Collector systems can be operated with different specific flow rates. The unit for this is the flow rate in l/(hm<sup>2</sup>). The reference variable is the absorber area. At the same collector output, a higher flow rate means a lower temperature spread in the collector circuit; a lower flow rate means a higher temperature spread. With a high temperature spread, the average collector temperature increases, i.e. the efficiency of the collectors drops. On the other hand, where the flow rates are lower, less energy is required to operate the pumps and the pipework sizing can be smaller.

Operating modes:

- **Low flow operation**  
Operation with flow rates up to approx. 30 l/(hm<sup>2</sup>)
- **High flow operation**  
Operation with flow rates greater than 30 l/(hm<sup>2</sup>)
- **Matched flow operation**  
Operation with variable flow rates

All operating modes are possible with Viessmann collectors.

### Which operating mode is the right one?

The specific flow rate must be high enough to ensure a reliable and even flow through the entire array. The optimum flow rate (relative to the current cylinder temperatures and the current insolation level) in systems with a Viessmann solar control unit will adjust itself automatically in matched flow operation. Single array systems with Vitosol-FM/-F or Vitosol-T can be operated without problems down to approx. 50 % of the specific flow rate.

Required flow rate: 25 l/(hm<sup>2</sup>)

This results in the following: 115 l/h, i.e. approx. 1.9 l/min  
This value should be reached at 100 % pump rate. An adjustment can be made via the output stages of the pump. The positive primary energetic effect is lost if the required collector flow rate is achieved through a higher pressure drop (= higher power consumption). Choose the pump stage that lies above the required value. The flow rate is automatically reduced via the control unit through a lower current supply to the solar circuit pump.

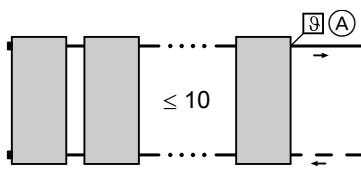
#### Example:

4.6 m<sup>2</sup> absorber area

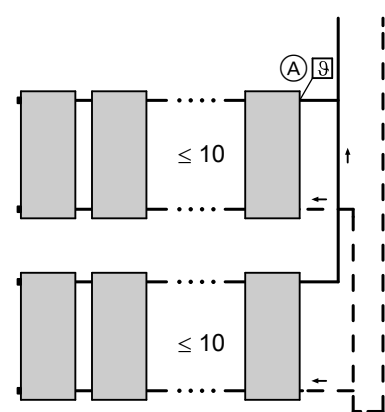
## 13.3 Installation examples Vitosol-FM/-F, types SV and SH

Take ventilation into consideration when designing the collector arrays (see chapter "Ventilation" on page 138).

### High flow operation — single sided connection

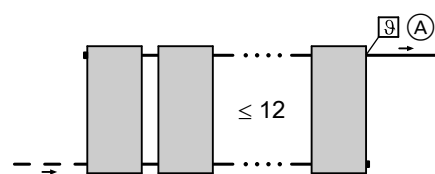


(A) Collector temperature sensor in the flow



(A) Collector temperature sensor in the flow

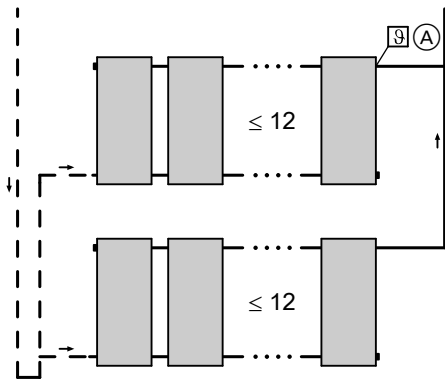
### High flow operation — connection on alternate sides



(A) Collector temperature sensor in the flow

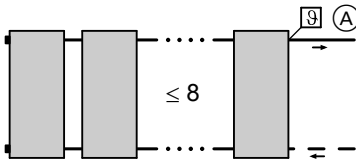


## Information regarding design and operation (cont.)



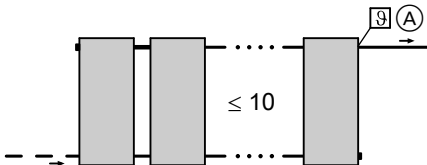
(A) Collector temperature sensor in the flow

### Low flow operation — single sided connection



(A) Collector temperature sensor in the flow

### Low flow operation — connection on alternate sides



(A) Collector temperature sensor in the flow

## 13.4 Installation examples Vitosol 200-TM, type SPEA

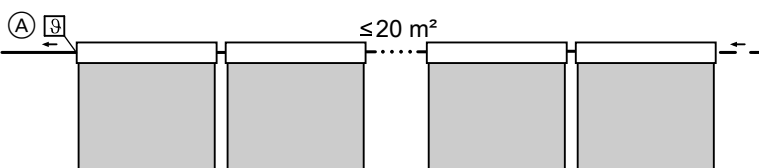
Take ventilation into consideration when designing the collector arrays (see chapter "Ventilation" on page 138).

### Note

Max. 20 m<sup>2</sup> absorber area can be connected in series to form a single array.

### Vertical installation on pitched roofs, installation on collector supports or horizontal installation

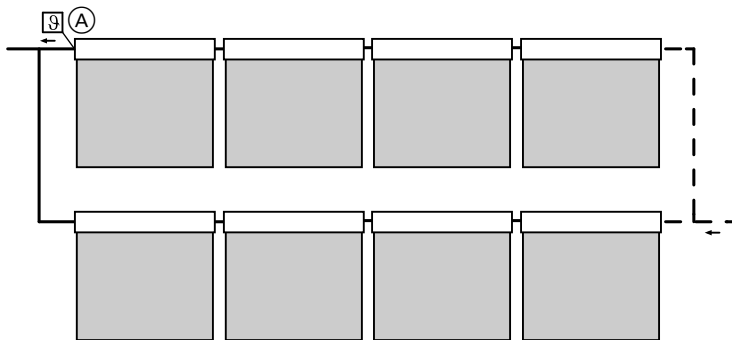
Single row installation; connection from the left or right



(A) Collector temperature sensor

## Information regarding design and operation (cont.)

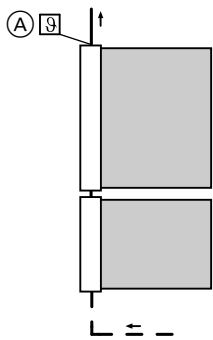
### Installation in several rows; connection from the left or right



(A) Collector temperature sensor

### Horizontal installation on a pitched roof

#### 1 collector array

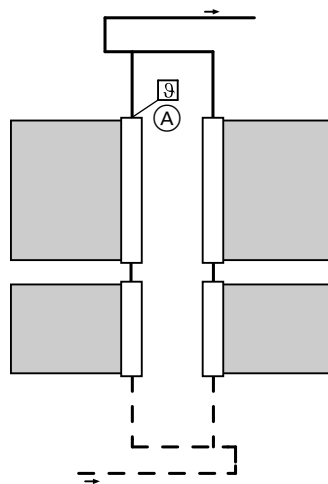


(A) Collector temperature sensor

For this type of installation, ensure the following minimum flow rates in the collector array (section):

4 m <sup>2</sup>	35 l/(hm <sup>2</sup> )
5 m <sup>2</sup>	30 l/(hm <sup>2</sup> )
≥6 m <sup>2</sup>	25 l/(hm <sup>2</sup> )
3 m <sup>2</sup>	45 l/(hm <sup>2</sup> )
< 2 m <sup>2</sup>	65 l/(hm <sup>2</sup> )

#### 2 or more collector arrays (≥ 4 m<sup>2</sup>)



With this type of connection, the **"Relay kick"** function on the Vitosolic 200 must be enabled.

(A) Collector temperature sensor

## 13.5 Installation examples Vitosol 300-TM, type SP3C

Take ventilation into consideration when designing the collector arrays (see chapter "Ventilation" on page 138).

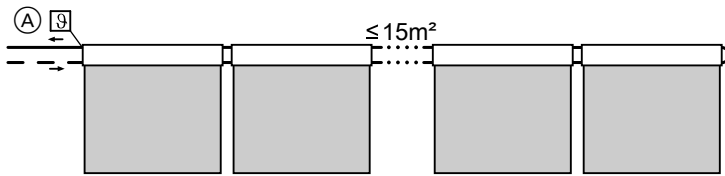
## Information regarding design and operation (cont.)

### Note

Max. 15 m<sup>2</sup> absorber area can be connected in series to form a single array.

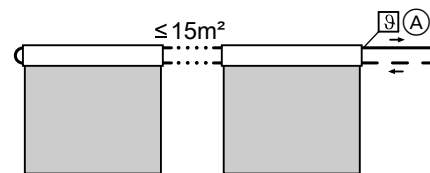
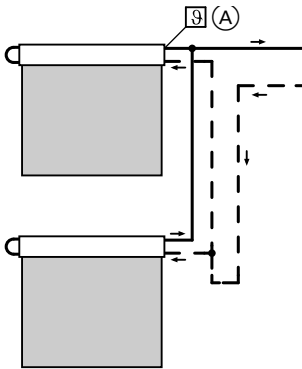
## Vertical installation on pitched roofs, installation on collector supports or horizontal installation

### Connection from the left



(A) Collector temperature sensor in the flow

### Connection from the right



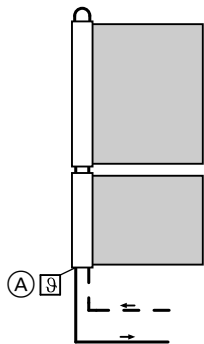
(A) Collector temperature sensor in the flow

(A) Collector temperature sensor in the flow

## Horizontal installation on pitched roofs and on walls

### Single sided connection from below (preferred version)

#### 1 collector array



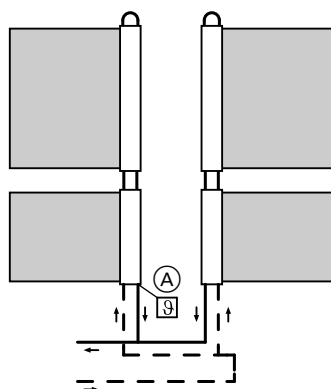
With this installation, the following minimum flow rates in the collector array (section) must be ensured:

1.26 m <sup>2</sup>	110 l/(h·m <sup>2</sup> )
1.51 m <sup>2</sup>	90 l/(h·m <sup>2</sup> )
3.03 m <sup>2</sup>	45 l/(h·m <sup>2</sup> )
4.54 m <sup>2</sup>	30 l/(h·m <sup>2</sup> )
≥6.06 m <sup>2</sup>	25 l/(h·m <sup>2</sup> )

With this connection, the "Relay kick" function on the Vitosolic 200 must be enabled (see chapter "Functions" in the "Solar control units" section).

(A) Collector temperature sensor in the flow

### 2 or more collector arrays ( $\geq 4 \text{ m}^2$ )



With this connection, the **"Relay kick"** function on the Vitosolic 200 must be enabled (see chapter "Functions" in the "Solar control units" section).

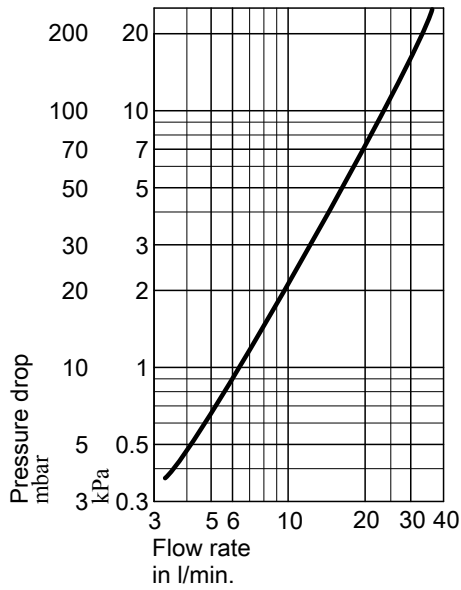
(A) Collector temperature sensor in the flow

## 13.6 Pressure drop of the solar thermal system

- The specific flow rate for the collectors is determined by the type of collector and the intended method of operation of the collector array. The way the collectors are linked determines the pressure drop of the collector array.
- The overall flow rate for the solar thermal system results from multiplying the specific flow rate by the absorber area. The pipework dimensions are determined assuming a required flow velocity of between 0.4 and 0.7 m/s (see page 135).
- Once the pipework dimensions have been determined, the pressure drop for the pipework (in mbar/m) is then calculated.
- External heat exchangers must be calculated as well and should not exceed a pressure drop of 100 mbar/10 kP. For smooth tube internal indirect coils, the pressure drop is much lower and can be ignored in solar thermal systems with a collector area of up to 20 m<sup>2</sup>.
- The pressure drop of further solar circuit components can be found in the relevant technical documentation. Include the pressure drop of further solar circuit components in the overall calculation.
- When calculating the pressure drop, take into account the fact that the heat transfer medium has a different viscosity to pure water. The hydraulic characteristics become more similar as the temperature of the media increases. At low temperatures around freezing, the high viscosity of the heat transfer medium may result in a pump rate some 50 % higher than for pure water. With a medium temperature above approx. 50 °C (controlled operation of solar thermal systems), the difference in viscosity is only minor.

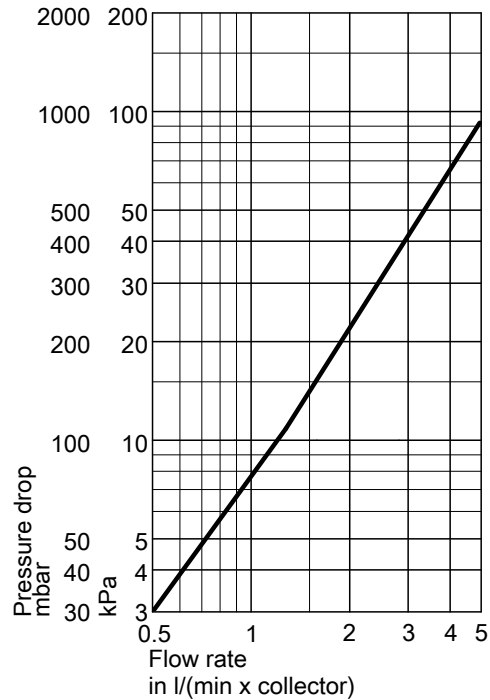
**Pressure drop of the solar flow and return lines**

Per m pipe length, corrugated stainless steel pipe DN16, relative to water, corresponds to Tyfocor LS at approx. 60 °C



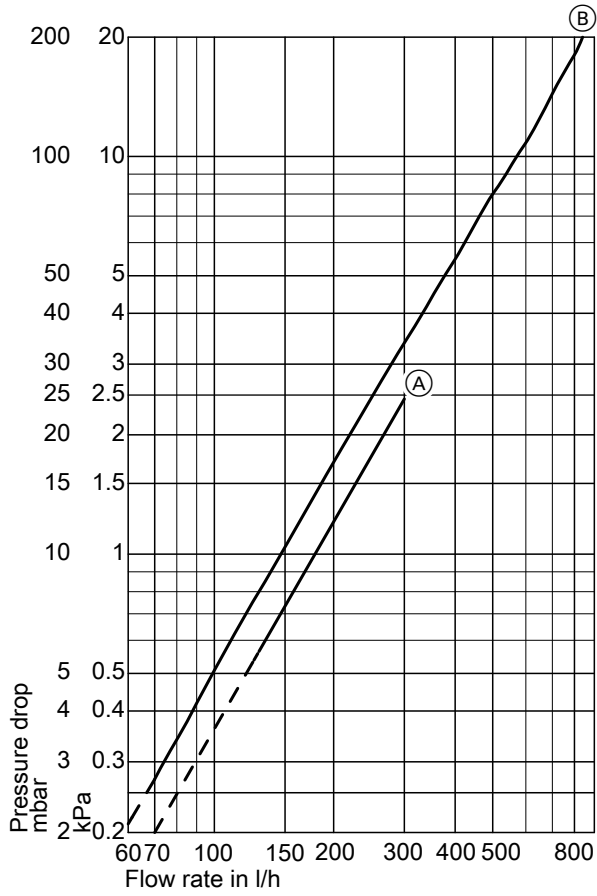
**Pressure drop Vitosol-FM/-F, types SV and SH**

Relative to water, corresponds to Tyfocor LS at approx. 60 °C



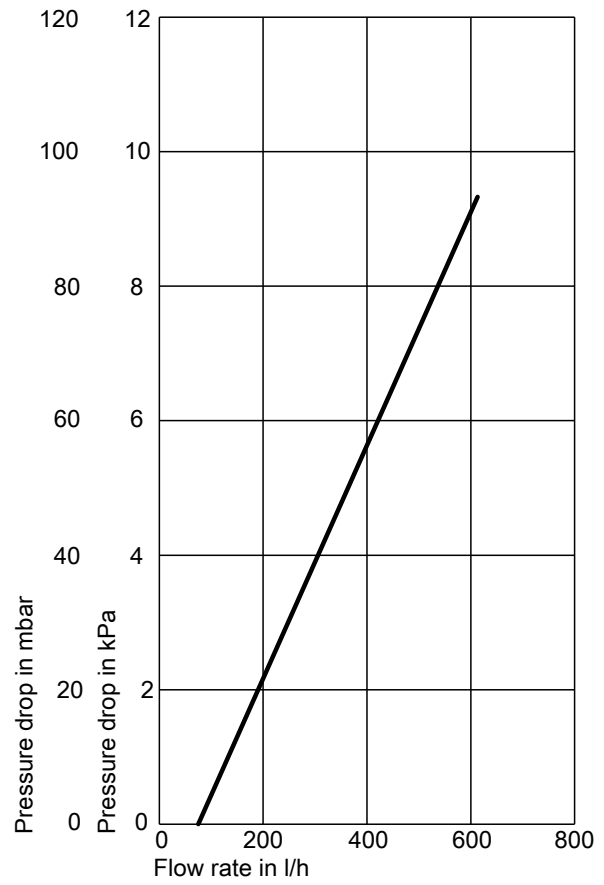
**Pressure drop Vitosol 200-TM and Vitosol 300-TM**

Relative to water, corresponds to Tyfocor LS at approx. 60 °C

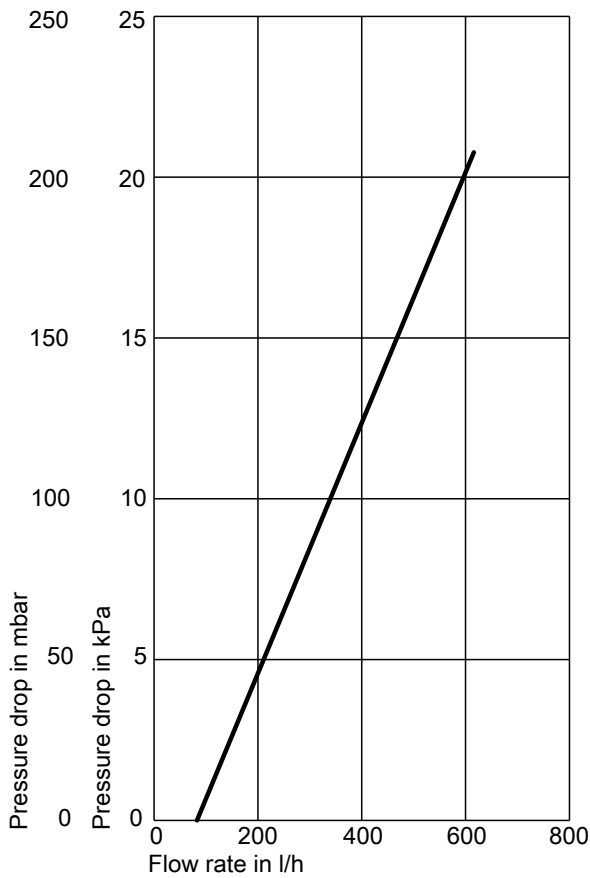


Pressure drop Vitosol 300-TM

- Ⓐ 1.26/1.51 m<sup>2</sup>
- Ⓑ 3.03 m<sup>2</sup>



Pressure drop Vitosol 200-TM, 1.63 m<sup>2</sup>



Pressure drop Vitosol 200-TM, 3.26 m<sup>2</sup>

## 13.7 Flow velocity and pressure drop

### Flow velocity

To minimise the pressure drop through the solar thermal system pipework, the flow velocity in the copper pipe should not exceed 1 m/s. In accordance with VDI 6002-1 [or local regulations], we recommend flow velocities of between **0.4 and 0.7 m/s**. At these flow velocities, a pressure drop of between 1 and 2.5 mbar/m/0.1 and 0.25 kPa/m pipe length will result.

#### Note

*A higher flow velocity results in a higher pressure drop. A substantially lower flow velocity will make ventilation more difficult.*

The air that collects at the collector must be routed downwards through the solar flow line to the air vent valve. For the installation of collectors, we recommend sizing the pipes as for a standard heating system according to flow rate and flow velocity (see the following table).

Subject to the flow rate and pipe dimensions, different flow velocities result.

## Information regarding design and operation (cont.)

Flow rate (total collector area)		Flow velocity in m/s						
		Pipe dimensions						
I/h	l/min	DN10	DN13	DN16	DN20	DN25	DN32	DN40
		Dimensions						
		12 x 1	15 x 1	18 x 1	22 x 1	28 x 1.5	35 x 1.5	42 x 1.5
125	2.08	0.44	—	—	—	—	—	—
150	2.50	0.53	0.31	—	—	—	—	—
175	2.92	0.62	0.37	0.24	—	—	—	—
200	3.33	0.70	0.42	0.28	0.18	—	—	—
250	4.17	0.88	0.52	0.35	0.22	—	—	—
300	5.00	1.05	0.63	0.41	0.27	—	—	—
350	5.83	—	0.73	0.48	0.31	—	0.11	—
400	6.67	—	0.84	0.55	0.35	0.23	0.13	0.09
450	7.50	—	0.94	0.62	0.40	0.25	0.14	0.10
500	8.33	—	—	0.69	0.44	0.28	0.16	0.12
600	10.00	—	—	0.83	0.53	0.34	0.19	0.14
700	11.67	—	—	0.97	0.62	0.40	0.22	0.16
800	13.33	—	—	—	0.71	0.45	0.25	0.19
900	15.00	—	—	—	0.80	0.51	0.28	0.21
1000	16.67	—	—	—	—	0.57	0.31	0.23
1500	25.00	—	—	—	—	0.85	0.47	0.35
2000	33.33	—	—	—	—	1.13	0.63	0.46
2500	41.67	—	—	—	—	—	0.79	0.58
3000	50.00	—	—	—	—	—	0.94	0.70

Recommended pipe dimensions

### Pressure drop of the pipework

For water/glycol mixtures at temperatures higher than 50 °C.

Flow rate (total collector area)		Pressure drop per m pipe length (including valves) in mbar/m / kPa/m				
		Pipe dimensions				
I/h		DN10	DN13	DN16	DN20	DN25
		Dimensions				
		12 x 1	15 x 1	18 x 1	22 x 1	28 x 1.5
100		4.6/0.46				
125		6.8/0.68				
150		9.4/0.94				
175		12.2/1.22				
200		15.4/1.54	4.4/0.44			
225		18.4/1.84	5.4/0.54			
250		22.6/2.26	6.6/0.66	2.4/0.24		
275		26.8/2.68	7.3/0.73	2.8/0.28		
300			9.0/0.90	3.4/0.34		
325			10.4/1.04	3.8/0.38		
350			11.8/1.18	4.4/0.44		
375			13.2/1.32	5.0/0.50		
400			14.8/1.48	5.6/0.56	2.0/0.20	
425			16.4/1.64	6.2/0.62	2.2/0.22	
450			18.2/1.82	6.8/0.68	2.4/0.24	
475			20.0/2.00	7.4/0.74	2.6/0.26	
500			22.0/2.20	8.2/0.82	2.8/0.28	
525				8.8/0.88	3.0/0.30	
550				9.6/0.96	3.4/0.34	
575				10.4/1.04	3.6/0.36	
600				11.6/1.16	3.8/0.38	
625					4.2/0.42	
650					4.4/0.44	
675					4.8/0.48	
700					5.0/0.50	1.8/0.18
725					5.4/0.54	1.9/0.19
750					5.8/0.58	2.0/0.20
775					6.0/0.60	2.2/0.22
800					6.4/0.64	2.3/0.23
825					6.8/0.68	2.4/0.24

5822440



## Information regarding design and operation (cont.)

Flow rate (total collector area)	Pressure drop per m pipe length (including valves) in mbar/m / kPa/m				
	Pipe dimensions				
	DN10	DN13	DN16	DN20	DN25
l/h	Dimensions				
	12 x 1	15 x 1	18 x 1	22 x 1	28 x 1.5
850				7.2/0.72	2.5/0.25
875				7.6/0.76	2.6/0.26
900				8.0/0.80	2.8/0.28
925				8.4/0.84	2.9/0.29
950				8.8/0.88	3.0/0.30
975				9.2/0.92	3.2/0.32
1000				9.6/0.96	3.4/0.34

Range between 0.4 and 0.7 m/s flow velocity

### 13.8 Sizing the circulation pump

If the flow rate and pressure drop of the entire solar thermal system are known, the pump can be selected on the basis of the pump curve.

Viessmann supplies the Solar-Divicon and a separate solar pump assembly to simplify the installation and the selection of pumps and safety equipment. For construction and specification see chapter "Installation accessories".

#### Note

The Solar-Divicon and the solar pump assembly are unsuitable for direct contact with swimming pool water.

Absorber area in m <sup>2</sup>	Specific flow rate in l/(hm <sup>2</sup> )						
	25	30	35	40	50	60	80
	Low flow operation	High flow operation					
	Flow rate in l/min						
2	0.83	1.00	1.17	1.33	1.67	2.00	2.67
3	1.25	1.50	1.75	2.00	2.50	3.00	4.00
4	1.67	2.00	2.33	2.67	3.33	4.00	5.33
5	2.08	2.50	2.92	3.33	4.17	5.00	6.67
6	2.50	3.00	3.50	4.00	5.00	6.00	8.00
7	2.92	3.50	4.08	4.67	5.83	7.00	9.33
8	3.33	4.00	4.67	5.33	6.67	8.00	10.67
9	3.75	4.50	5.25	6.00	7.50	9.00	12.00
10	4.17	5.00	5.83	6.67	8.33	10.00	13.33
12	5.00	6.60	7.00	8.00	10.00	12.00	16.00
14	5.83	7.00	8.17	9.33	11.67	14.00	18.67
16	6.67	8.00	9.33	10.67	13.33	16.00	21.33
18	7.50	9.00	10.50	12.00	15.00	18.00	24.00
20	8.33	10.00	11.67	13.33	16.67	20.00	26.67
25	10.42	12.50	14.58	16.67	20.83	25.00	33.33
30	12.50	15.00	17.50	20.00	25.00	30.00	—
35	14.58	17.50	20.42	23.33	29.17	35.00	—
40	16.67	20.00	23.33	26.67	33.33	—	—
50	20.83	25.00	29.17	33.33	—	—	—
60	25.00	30.00	35.00	—	—	—	—
70	29.17	35.00	—	—	—	—	—
80	33.33	—	—	—	—	—	—

Use of type PS10 or P10, with a residual head of 150 mbar/15 kPa ( $\approx$  1.5 m)  
 Use of type PS20 or P20, with a residual head of 260 mbar/26 kPa ( $\approx$  2.6 m)

**Information regarding solar thermal systems with Vitosolic**  
 Pumps with a power consumption of more than 190 W, in conjunction with a Vitosolic solar control unit, must be connected via an additional relay (on site).

### 13.9 Ventilation

At points in the system that are at high risk from steam or in roof installations, only use air separators with manual air vent valves, which require regular manual venting. This is particularly necessary after filling.

Correct ventilation of the solar circuit is a prerequisite for trouble-free and efficient operation of the solar thermal system. Air in the solar circuit generates noise and puts at risk the reliable flow through the collectors or through individual array sections. In addition it can lead to accelerated oxidation of organic heat transfer media (e.g. commercially available mixtures of water and glycol).

Air vent valves are used to vent air from the solar circuit:

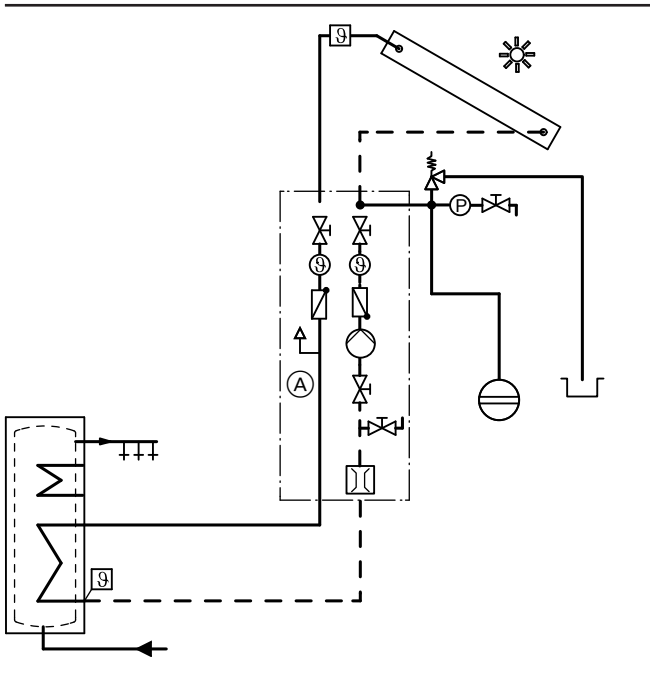
- Manual air vent valve
- Automatic air vent valve
  - Quick-action air vent valve
  - Air separator

For the construction and specification of air vent valves, see chapter "Installation accessories".

The air vent valves are installed in the solar flow line at an accessible point in the installation room upstream of the heat exchanger inlet.

When setting up and connecting larger collector arrays, the ventilation characteristics of the system can be optimised by flow lines joined above the collectors. This prevents air bubbles from causing flow problems in individual collectors in partial arrays linked in parallel.

In systems higher than 25 m above the air vent valve, air bubbles that form in the collectors are dispersed again as a result of the high pressure increase. In such cases, we recommend using vacuum deaerator systems.



(A) Air vent valve, built into Solar-Divicon

### 13.10 Safety equipment

#### Stagnation in solar thermal systems

All safety equipment in a solar thermal system must be designed for stagnation. If, during insolation on the collector array, heat can no longer be transferred within the system, the solar circuit pump stops and the solar thermal system goes into stagnation. Longer system idle times, e.g. due to faults or incorrect operation, can never be completely ruled out. This results in a rise in temperature up to the maximum collector temperature. Energy yield and loss are then the same.

Requirements:

- The solar thermal system must not be damaged by stagnation.
- The solar thermal system must not pose any risk during stagnation.
- Following stagnation, the solar thermal system must automatically return to operation.
- Collectors and pipework must be engineered for the temperatures expected during stagnation.

## Information regarding design and operation (cont.)

### Pressure in solar thermal systems with Vitosol-FM and Vitosol 300-TM

The set pressure for switching collectors prevents the formation of steam, and in extreme cases, its spread into the solar thermal system. Safety devices for the expansion vessels (stagnation cooler or pre-cooling vessel) are not required. For calculating the required pressure, see page 141. If the pressure is set too low, a small amount of steam can form which will normally remain in the collectors and not be pushed into the system. Switching collectors can therefore be used in systems where the collector array is below the DHW cylinder.

### Pressure in solar thermal systems with Vitosol-F and Vitosol 200-TM

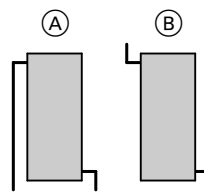
The pressure set ensures controlled evaporation of the heat transfer medium. Depending on collector type/hydraulics or connection version, the collector has a higher or lower steam-producing power. This influences the selection and positioning of various technical components of the solar thermal system. In conventional solar thermal systems, where the steam produced can spread as far as the expansion vessel, a stagnation cooler or a pre-cooling vessel are installed to protect the diaphragm.

Do not position the collector array below the DHW cylinder. Otherwise the steam produced during a system standstill can rise towards the DHW cylinder in an uncontrolled manner. In the DHW cylinder, the heat is transferred and the steam condenses and flows back towards the collectors. The result is an uncontrollable system state.

### Steam-producing power, pressure maintenance and safety equipment

In the collectors, temperatures are reached that exceed the boiling point of the heat transfer medium. For this reason, solar thermal systems must be designed to be fail-safe in accordance with the relevant regulations.

With regard to stagnation behaviour, with the exception of switching collectors Vitosol-FM and Vitosol 300-TM, a low system pressure is advantageous: **1 bar/0.1 MPa** (during filling and at a heat transfer medium temperature of approx. 20 °C) on the collector is sufficient. A definitive parameter when designing pressure maintenance and safety equipment is the **steam-producing power**. This indicates the power of the collector array, which during stagnation is transferred to the pipework in the form of steam. The maximum steam-producing power is influenced by the draining characteristics of the collectors and the array. Subject to collector type and hydraulic connection, different steam-producing power levels can occur (see diagram below).



- (A) Flat-plate collector without liquid pocket  
Steam-producing power = 60 W/m<sup>2</sup>
- (B) Flat-plate collector with liquid pocket  
Steam-producing power = 100 W/m<sup>2</sup>

#### Note

Steam-producing power

- Vitosol 300-TM: 0 W/m<sup>2</sup>
- Vitosol 200-TM: 60 W/m<sup>2</sup>

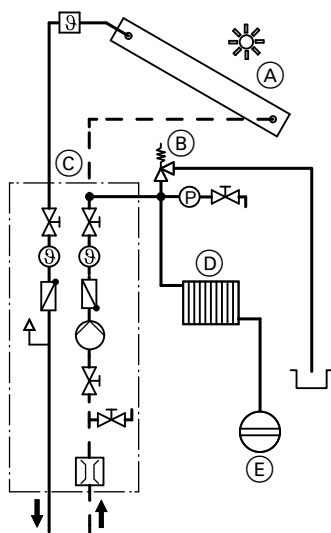
The length of pipe that holds steam during stagnation (steam spread) is calculated from the balance between the steam-producing power of the collector array and the heat loss from the pipework. The actual values assumed for the loss from a solar circuit pipe made from copper and 100 % insulated with commercially available material are as follows:

Dimensions	Heat loss in W/m
12 x 1/15 x 1/18 x 1	25
22 x 1/28 x 1.5	30

- Steam spread is **less** than the pipe run in the solar circuit (flow and return) between collector and expansion vessel:  
The steam cannot reach the expansion vessel in the event of stagnation. The displaced volume (collector array and pipework filled with steam) must be taken into account when sizing the expansion vessel.
- Steam spread is **greater** than the pipe run in the solar circuit (flow and return) between collector and expansion vessel:  
Include a cooling line (heat sink) in the design, to protect the expansion vessel diaphragms against thermal overload (see diagrams below). Steam condenses in this cooling line and reduces the temperature of the liquefied heat transfer medium to below 70 °C.

**Expansion vessel and heat sink in the return**

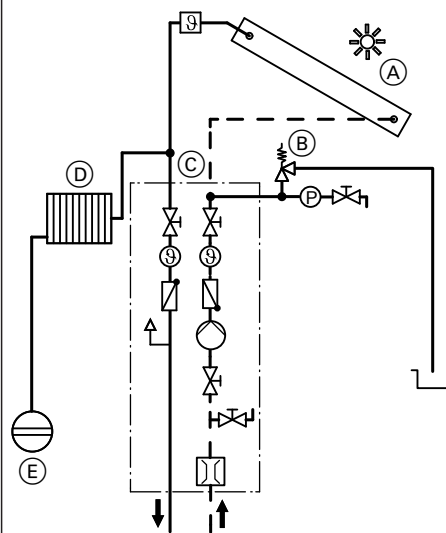
The steam can spread through the flow and return.



- (A) Collector
- (B) Safety valve
- (C) Solar-Divicon
- (D) Heat sink
- (E) Expansion vessel

**Expansion vessel and heat sink in the flow**

The steam can only spread through the flow.



The necessary residual cooling capacity is determined from the differential between the steam-producing power of the collector array and the heat dissipation of the pipework up to the connection point for the expansion vessel and the heat sink.

**Note**

The "Solsec" program is available at [www.viessmann.com](http://www.viessmann.com) for calculating the residual cooling capacity and sizing the heat sink.

The program offers 3 options:

- Sufficiently long, uninsulated pipework branching to the expansion vessel
- A sufficiently large pre-cooling vessel, in relation to the cooling capacity
- A correctly sized stagnation cooler

For the heat sink, standard radiators with an output calculated at 115 K are assumed. For greater clarity, the program indicates the heating output at 75/65 °C.

**Note**

Due to the expected high surface temperatures, Viessmann stagnation coolers (see page 96) are equipped with a plate that receives no flow, for protection against accidental contact. If commercially available radiators are used, protection against accidental contact must be provided. The connections must be diffusion-proof. All components must be able to withstand temperatures of up to 180 °C.

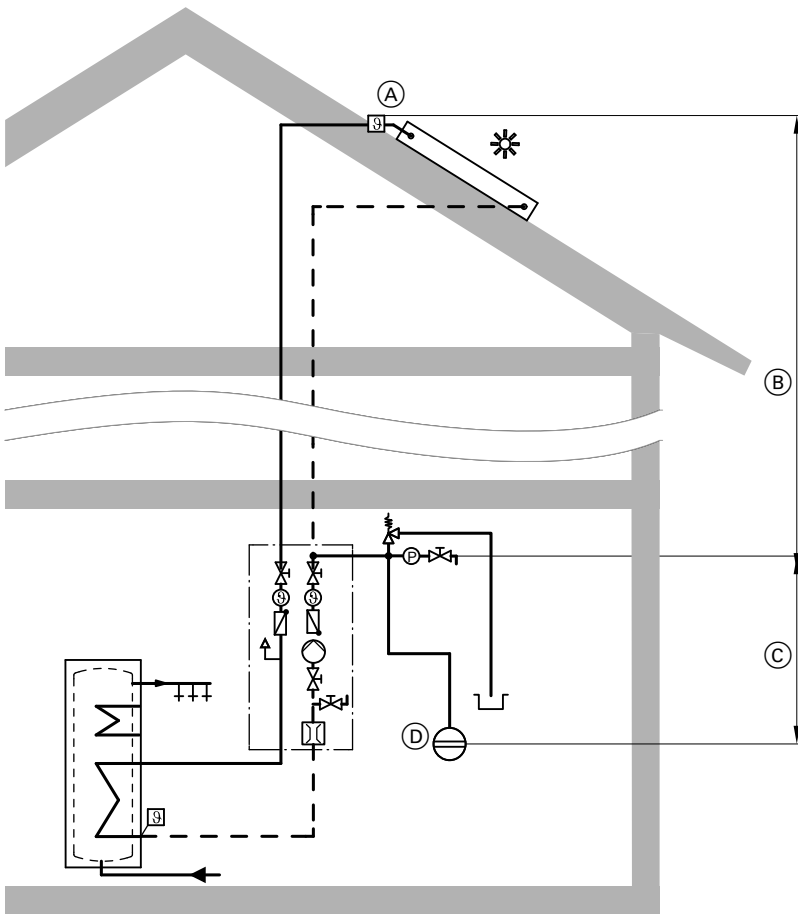
**Specification**

	Output at 75/65 °C in W	Cooling capacity during stagnation in W	Liquid content in l
Stagnation cooler			
– Type 21	482	964	1
– Type 33	835	1668	2
Pre-cooling vessel	—	450	12

## Information regarding design and operation (cont.)

### Adjust system pressure

In the case of switching collectors Vitosol-FM and Vitosol 300-TM, the system pressure in the collector must be approx. 3.0 bar.



#### Pressure maintaining facility

	Vitosol-F Vitosol 200-TM	Vitosol-FM Vitosol 300-TM
System pressure Ⓐ	1 bar	3 bar

#### Pressure conditions calculation examples

System height from upper collector edge to pressure gauge of 10 m

##### System operating pressure

System pressure Ⓐ at highest point	1 bar	3 bar
Supplement per metre of static head Ⓑ, here 10 m	+ 0.1 bar/m = 1 bar	+ 0.1 bar/m = 1 bar
<b>System operating pressure Ⓟ (pressure gauge)</b>	<b>2 bar</b>	<b>4 bar</b>

#### Charge pressure

System operating pressure	2 bar	4.0 bar
Pressure reserve for venting	+ 0.1 bar	+ 0.1 bar
<b>Charge pressure</b>	<b>2.1 bar</b>	<b>4.1 bar</b>

#### Pre-charge pressure, expansion vessel

System operating pressure	2 bar	4.0 bar
Deduction for hydraulic seal	-0.3 bar	-0.3 bar
Supplement per metre of height difference Ⓒ between pressure gauge and expansion vessel	+ 0.1 bar x 1 m = 0.1 bar	+ 0.1 bar x 1 m = 0.1 bar
<b>Expansion vessel pre-charge pressure Ⓧ</b>	<b>1.8 bar</b>	<b>3.8 bar</b>

### Expansion vessel

For layout, function and specification of the expansion vessel, see chapter "Installation accessories".

The expansion vessel can be calculated once the steam spread has been determined and any heat sinks that may be used have been taken into consideration.

The required volume is determined by the following factors:

- Expansion of the heat transfer medium in its liquid state
- Liquid seal

## Information regarding design and operation (cont.)

- Expected steam volume, taking account of the static head of the system
- Pre-charge pressure

$$V_{dev} = (V_{col} + V_{dpipe} + V_e + V_{fv}) \cdot Df$$

$V_{dev}$	Nominal volume of the expansion vessel in l
$V_{col}$	Liquid content of the collectors in l In systems with Vitosol-FM/300-TM this value = 0
$V_{dpipe}$	Content of the pipework subject to steam loads in l (Calculated from the steam spread and the pipework content per m pipe length) In systems with Vitosol-FM/300-TM this value = 0
$V_e$	Increase in the volume of the heat transfer medium in its liquid state in l $V_e = V_a \cdot \beta$ $V_a$ System volume (content of the collectors, the heat exchanger and the pipework) $\beta$ Expansion factor $\beta = 0.1$ to $0.13$ for Viessmann heat transfer medium

$V_{fv}$	Liquid seal in the expansion vessel in l (4 % of the system volume, min. 3 l)
Df	Pressure factor $(p_e + 1) : (p_e - p_o)$ $p_e$ Max. system pressure at the safety valve in bar (90 % of the safety valve response pressure) $p_o$ System pre-charge pressure – Vitosol 200-TM/Vitosol F: $p_o = 1 \text{ bar} + 0.1 \text{ bar/m static head}$ – Vitosol-FM/Vitosol 300-TM: $p_o = 3 \text{ bar} + 0.1 \text{ bar/m static head}$

To determine the system and steam volume in the pipework, the content per m of pipe must be taken into consideration.

<b>Vitotrans 200, type WTT</b>	Part no.	3003453	3003454	3003455	3003456	3003457	3003458	3003459
Capacity	l	4	9	13	16	34	43	61

<b>Copper pipe</b>	Dim.	12 x 1	15 x 1	18 x 1	22 x 1	28 x 1.5	35 x 1.5	42 x 1.5
		DN10	DN13	DN16	DN20	DN25	DN32	DN40
Capacity	l/m pipe	0.079	0.133	0.201	0.314	0.491	0.804	1.195

<b>Corrugated stainless steel pipe</b>	Dim.	DN 16
Capacity	l/m pipe	0.25

For the liquid content of the following components see the relevant "Specification" chapter:

- Collectors
- Solar-Divicon and solar pump assembly
- DHW cylinder and heating water buffer cylinder

### Note

Check the size of the expansion vessel on site.

### Calculation with "Solsec" design program

The "Solsec" program is available at [www.viessmann.com](http://www.viessmann.com) for calculating the residual cooling capacity and sizing the expansion vessels.

## Safety valve

The heat transfer medium is drained from the solar thermal system via the safety valve if the max. permissible system pressure is exceeded. According to DIN 3320, the response pressure of the safety valve is the max. system pressure +10 %.  
The safety valve must comply with EN 12975 and EN 12977, be matched to the heating output of the collectors and be able to handle their maximum output of 900 W/m<sup>2</sup>.

Discharge and drain lines must terminate in an open container, capable of collecting the total content of the collectors.  
Viessmann Solar-Divicons are equipped with 6 bar safety valves at the factory. In solar thermal systems equipped with switching collectors, the 6 bar safety valves fitted at the factory can be replaced with 8 bar valves. See accessories, page 91.

Absorber area in m <sup>2</sup>	Valve size (size of the inlet cross-section) DN
40	15
80	20
160	25

## High limit safety cut-out

The solar control units Vitosolic 100 and 200 are equipped with an electronic temperature limiter.  
A high limit safety cut-out in the cylinder is required when less than 40 l cylinder capacity is available per m<sup>2</sup> absorber area. This reliably prevents temperatures above 95 °C in the cylinder.

### Example:

- 3 Vitosol-F flat-plate collectors, 7 m<sup>2</sup> absorber area
- DHW cylinder with 300 l capacity
- 300 : 7 = 42.8 l/m<sup>2</sup>

A high limit safety cut-out is **not** required.

### 13.11 Additional function for DHW heating

In solar thermal systems with DHW storage, we recommend heating the preheating cylinder and the preheating stage in dual mode DHW cylinders to  $\geq 60\text{ }^{\circ}\text{C}$  once a day (regardless of the cylinder volume).

### 13.12 Connecting the DHW circulation and automatic thermostatic mixing valve

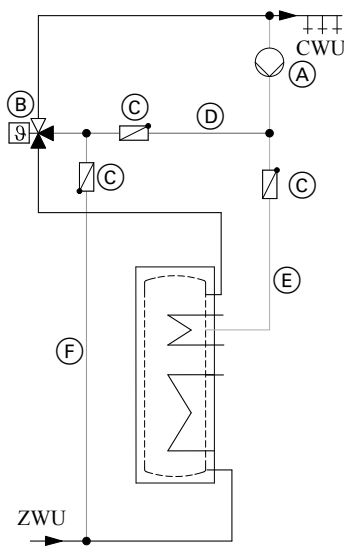
To ensure trouble-free functioning of the solar thermal system, it is important that, in the DHW cylinder, areas with cold water are available to receive the solar energy. These areas must not be reached by the DHW circulation return. The DHW circulation connection in the DHW cylinder **must** therefore be used (see following diagram).

DHW with **temperatures in excess of  $60\text{ }^{\circ}\text{C}$**  can cause scalding. To limit the temperature to  $60\text{ }^{\circ}\text{C}$ , install a mixing device, e.g. an automatic thermostatic mixing valve (see page 96). If the maximum set temperature is exceeded, the valve mixes cold water into the DHW as it is drawn off.

If the automatic thermostatic mixing valve is used in conjunction with a DHW circulation pipe, a bypass line is required between the DHW circulation inlet on the DHW cylinder and the cold water inlet on the mixing valve. To avoid recirculation, a check valve should be installed (see following diagram).

**Note**

Viessmann offers a thermostatic DHW circulation set as an accessory (see page 96).



- (A) DHW circulation pump
- (B) Automatic thermostatic mixing valve
- (C) Check valve
- (D) DHW circulation return in summer  
Line required to prevent excessive temperatures in summer
- (E) DHW circulation return in winter  
Flow temperature max.  $60\text{ }^{\circ}\text{C}$ .
- (F) Automatic thermostatic mixing valve inlet  
Pipe runs as short as possible, as these receive no flow in winter.

### 13.13 Intended use

The appliance is only intended to be installed and operated in sealed unvented systems that comply with EN 12828 / DIN 1988, or solar thermal systems that comply with EN 12977, with due attention paid to the associated installation, service and operating instructions. DHW cylinders are only designed to store and heat water of potable water quality. Heating water buffer cylinders are only designed to hold fill water of potable water quality. Only operate solar collectors with the heat transfer medium approved by the manufacturer.

Intended use presupposes that a fixed installation in conjunction with permissible, system-specific components has been carried out.

Commercial or industrial usage for a purpose other than heating the building or DHW shall be deemed inappropriate.

Any usage beyond this must be approved by the manufacturer for the individual case.

Incorrect usage or operation of the appliance (e.g. the appliance being opened by the system user) is prohibited and results in an exclusion of liability.

Incorrect usage also occurs if the components in the system are modified from their intended use (e.g. through direct DHW heating in the collector).

Adhere to statutory regulations, especially concerning the hygiene of potable water.

## Appendix

### 14.1 Subsidy programmes, permits and insurance

Solar thermal systems play an important role in protecting natural resources and the environment. Together with advanced Viessmann heating systems, they create an optimum, futureproof system solution for DHW and swimming pool heating, central heating backup and other low temperature applications. This is why solar thermal systems are frequently subsidised by government.

Application forms and subsidy conditions can be obtained from the Federal Office for Economic Affairs and Export Control ([www.bafa.de](http://www.bafa.de)). Solar thermal systems are subsidised by some national, regional and local authorities. Further information is available from our sales offices.

Information regarding current subsidy programmes is also available at "[www.viessmann.com](http://www.viessmann.com)" (Fördermittel [Subsidies]>Förderprogramme des Bundes [Subsidy Programmes in Germany]).

Viessmann collectors meet the requirements of the "Blue Angel" certificate of environmental excellence to RAL UZ 73. The approval of solar thermal systems is not universally regulated. Your local planning office will be able to advise you on whether solar thermal systems need planning permission.

Viessmann solar collectors are tested for impact resistance, for example against hailstones, to EN 12975-2 or ISO 9806. Nevertheless we recommend that the user insures against extreme weather conditions and includes the collectors on their buildings insurance. Damage due to these conditions is excluded from our warranty.

### 14.2 Glossary

#### Absorber

Device contained inside a solar collector designed to absorb radiation energy and transfer this as heat to a liquid.

#### Absorption

Radiation absorption

#### Irradiance (insolation)

Radiation level impacting on a unit of surface area, expressed in  $W/m^2$

#### Emission

Radiation of beams, e.g. light or particles

#### Evacuating

Extraction of the air from a container. This reduces the air pressure, creating a vacuum.

#### Steam-producing power

The power of the collector array in  $W/m^2$  that, during stagnation, is transferred into the pipework in the form of steam. The max. steam-producing power is influenced by the draining characteristics of the collectors and the collector array (see page 139).

#### Steam spread

Length of the pipework that is subjected to steam loads during stagnation. The max. steam spread is dependent on the heat loss characteristics of the pipework (thermal insulation). Conventional details refer to 100 % insulation thickness.

#### Heat pipe

Sealed capillary container that contains a small volume of highly volatile liquid.

#### Condenser

Device where steam is precipitated as a liquid.

#### Convection

Transfer of heat by the flow of a medium. Convection creates energy losses caused by a temperature differential, e.g. between the glass pane of the collector and the hot absorber

#### Standard roof pitch

The roof pitch limit, at which the roof cover is considered to be adequately protected against the ingress of rain, is described as the standard roof pitch.

The rules stated here correspond to the rules of the [German] roofing contractor trade. Observe the manufacturer's instructions if these differ.



## Appendix (cont.)

### **Selective surface**

The absorber in the solar collector has a highly selective coating to improve its efficiency. This specially applied coating enables the absorption to be maintained at a very high level for the sunlight spectrum that hits the absorber (approx. 94 %). The emission of long-wave heat radiation is largely prevented. The highly selective black chromium coating is very durable.

### **Radiation energy**

Volume of energy transmitted by radiation

### **Dispersion**

Interaction of radiation with matter by which the direction of the radiation is altered. Total energy and wavelength remain unchanged.

### **Vacuum**

A space devoid of air

### **Heat transfer medium**

Liquid that absorbs the available heat in the absorber of the collector and delivers it to a consumer (heat exchanger)

### **Efficiency**

The operating efficiency of a solar collector is the ratio of the collector output to the power input. Relevant variables are e.g. the ambient and absorber temperatures.

## Keyword index

- A**
- Above roof installation
    - For corrugated sheet roofs..... 112
    - For sheet metal roofs..... 113
    - With rafter anchors..... 103
    - With rafter hooks..... 107
  - Absorber area..... 6
  - Additional function for DHW heating..... 143
  - Anti-scalding protection..... 143
  - Aperture area..... 6
  - Area designations..... 6
  - Automatic thermostatic mixing valve..... 143
- C**
- Central heating..... 125
  - Central heating backup..... 125
  - Circulation pump..... 137
  - Collector areas..... 6
  - Collector efficiency..... 6
  - Collector fixing..... 101
  - Collector range..... 5
  - Collector row clearance..... 113
  - Collector supports on pitched roofs..... 107
  - Collector temperature sensor..... 38
  - Connection line..... 92
  - Cooling line..... 139
- D**
- Delivered condition
    - Solar control module..... 26
    - Vitosolic 100..... 27
    - Vitosolic 200..... 28
  - DHW cylinders..... 42
  - DHW demand..... 124
  - DHW heating..... 124
  - Distance from the edge of the roof..... 99
- E**
- Efficiency curves..... 6
  - Equipotential bonding..... 100
  - Expansion vessel..... 140, 141
    - Structure, function, specification..... 95
- F**
- Fill station, solar circuit..... 98
  - Flat roof installation
    - Horizontal..... 121
    - On collector supports..... 113
  - Flow rate..... 128
  - Flow velocity..... 135
  - Frost protection, external heat exchanger..... 34
- G**
- Gross area..... 6
- H**
- Heat exchanger..... 127
  - Heat loss factor..... 6
  - High limit safety cut-out..... 142
  - Hydraulic connections..... 128
- I**
- Inclination of the receiver surface..... 9
  - Installation accessories..... 88
  - Installation examples..... 128
  - Installation information
    - Pipework..... 100
    - Solar lines..... 100
    - Thermal insulation..... 100
  - Installation on walls..... 122
  - Insurance..... 144
  - Intended use..... 144
- L**
- Lightning protection of the solar thermal system..... 100
  - Line regulating valve..... 95
  - Liquid content..... 142
- O**
- Operating modes of a solar thermal system
    - High flow operation..... 128
    - Low flow operation..... 128
    - Matched flow operation..... 128
  - Optical efficiency..... 6
  - Orientation of the receiver surface..... 9
- P**
- Parameters for collectors..... 6
  - Permits..... 144
  - Pressure drop..... 132
  - Pressure drop of the pipework..... 136
  - Pressure in solar thermal systems..... 139
- R**
- Required roof area — above roof..... 102
- S**
- Safety equipment..... 138
  - Safety valve..... 142
  - Shading of the receiver surface..... 9
  - Sizing..... 123
  - Sizing the circulation pump..... 137
  - Snow load zones..... 99
  - Solar control module
    - Delivered condition..... 26
    - Specification..... 25
  - Solar control units..... 24, 26
  - Solar coverage..... 8
  - Solar-Divicon..... 88
  - Solar flow and return lines..... 94
  - Solar heat exchanger set..... 58
  - Solar line roof outlet..... 94
  - Solar pump assembly..... 88
  - Specification
    - Solar control module..... 25
    - Vitosolic 100..... 26
    - Vitosolic 200..... 27, 28
  - Stagnation..... 138
  - Stagnation temperature..... 8
  - Steam-producing power..... 8, 139
  - Steam spread..... 139
  - Subsidy programmes..... 144
  - Swimming pool heating
    - Indoor pools..... 127
    - Outdoor pools..... 126
- T**
- Technical Building Regulations for installation on walls..... 102
  - Thermal capacity..... 8
  - Transport aid..... 99

## Keyword index

### V

Ventilation.....	138
Viessmann collector range.....	5
Vitosolic 100	
– Delivered condition.....	27
– Specification.....	26
Vitosolic 200	
– Delivered condition.....	28
– Specification.....	27, 28

### W

Wind load zones.....	99
----------------------	----

Subject to technical modifications.

Viessmann Werke GmbH & Co. KG  
D-35107 Allendorf  
Telephone: +49 6452 70-0  
Fax: +49 6452 70-2780  
[www.viessmann.com](http://www.viessmann.com)

Viessmann Limited  
Hortonwood 30, Telford  
Shropshire, TF1 7YP, GB  
Telephone: +44 1952 675000  
Fax: +44 1952 675040  
E-mail: [info-uk@viessmann.com](mailto:info-uk@viessmann.com)

5822440