

Flow hose replacement

for the Vitodens 100-W, type WB1B

Safety instructions



Please follow these safety instructions closely to prevent accidents and material losses.

Safety instructions explained



Danger

This symbol warns against the risk of injury.

When using gas as fuel, also close the main gas shut-off valve and safeguard against unauthorised reopening.

Note

Details identified by the word "Note" contain additional information.

Installation, initial start-up, inspection, maintenance and repairs must only be carried out by a competent person (heating engineer/installation contractor).

Repairing components which fulfil a safety function can compromise the safe operation of your heating system. For replacements, use only original spare parts supplied or approved by Viessmann.

Before working on the equipment/heating system, isolate the power supply (e.g. by removing a separate mains fuse or by means of a mains isolator) and safeguard against unauthorised reconnection.

Opening the Vitodens and removing the burner

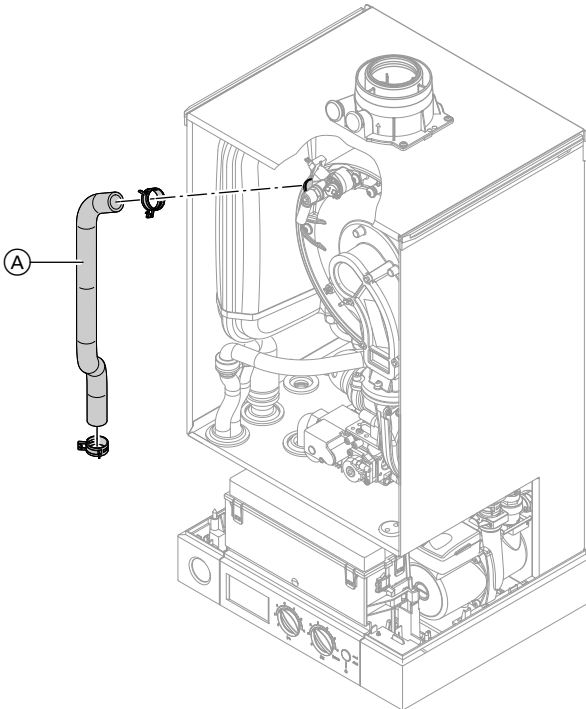


Installation and service instructions

Replacing the flow hose

Note

Residual water may escape during dismantling.



1. Drain the boiler from the heating water side.
4. Reassemble the boiler in reverse order.



Installation and service instructions

2. Undo hose clips on flow hose (A) and pull off flow hose (A).
3. Push on new flow hose (A) and secure with the hose clips.

Replacing the flow hose (cont.)

5. Fill the boiler with water, flush (vent) and check for leaks.



Installation and service
instructions



Danger

Escaping gas leads to a risk
of explosion.

Check gas equipment for
tightness.



Viessmann Climate Solutions SE
35108 Allendorf / Germany
Telephone: +49 6452 70-0
Fax: +49 6452 70-2780
www.viessmann.com



Viessmann Limited
Hortonwood 30, Telford
Shropshire, TF1 7YP, GB
Telephone: +44 1952 675000
Fax: +44 1952 675040
E-mail: info-uk@viessmann.com

5355018 Subject to technical modifications.