

Installation Instructions

for use by heating contractor



Burner Assembly

Part Number: 7856000, 7828716 **Burner Refractory**

Part Number: 7828717 **Burner Tube**

Part Number: 7828718 **Ignition and Ionization Electrode Block**

Part Number: 7847354 **Burner Mounting Flange**

For use with: Vitodens 100-W, WB1B, B1HA and B1KA

Safety and Installation Requirements

Please ensure that these instructions are read and understood before starting any service work. Failure to comply with these instructions may cause product/property damage, severe personal injury and/or loss of life.

Working on the equipment

The installation, adjustment, service and maintenance of this product must be performed by a licensed professional heating contractor who is qualified and experienced in the installation, service, and maintenance of hot water boilers. There are no user serviceable parts on the boiler, burner or control.

Ensure that main power to the equipment being serviced is off.

Ensure that the main fuel supply valve to the boiler is closed.

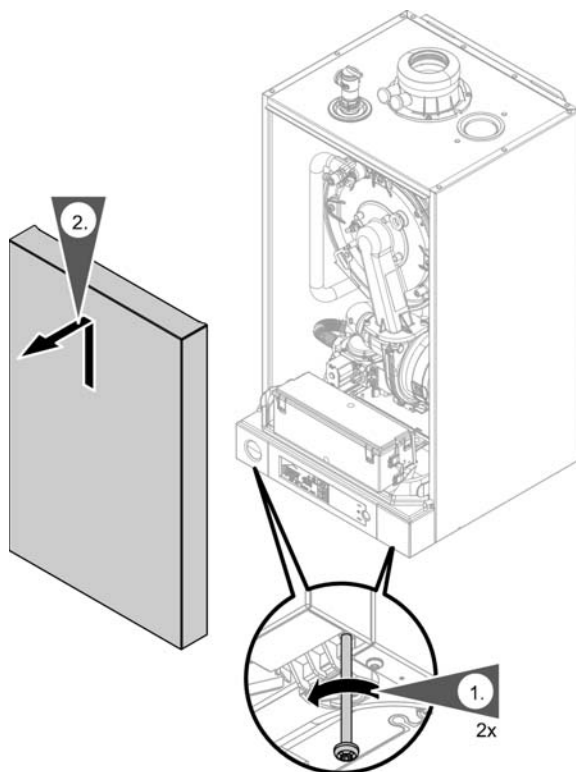
Take precautions to avoid accidental activation of power or fuel during service work.

Do not perform service work on any component part without ensuring safe operation of the heating system. When replacing parts, use original Viessmann or Viessmann approved replacement parts.



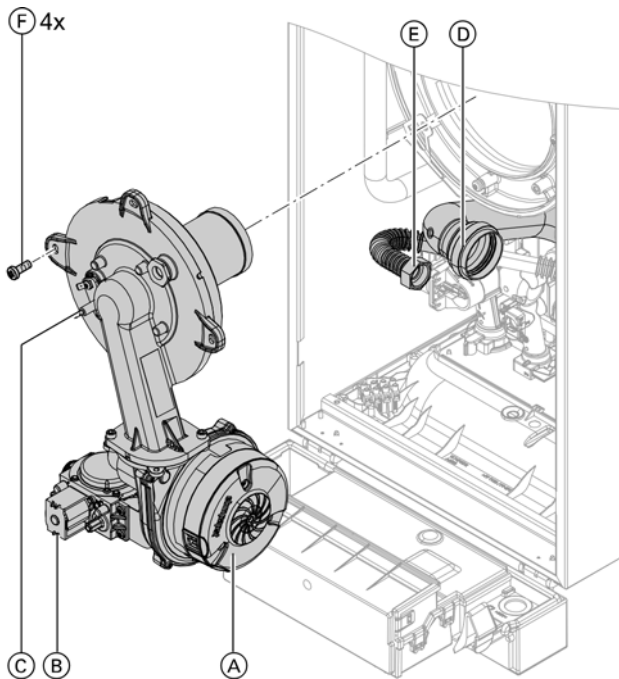
Refer to the Installation and Service Instructions applicable to this boiler.

Removing the Front Panel



1. Loosen retaining screws (do not remove completely).
2. Remove front panel.

Removing the Burner



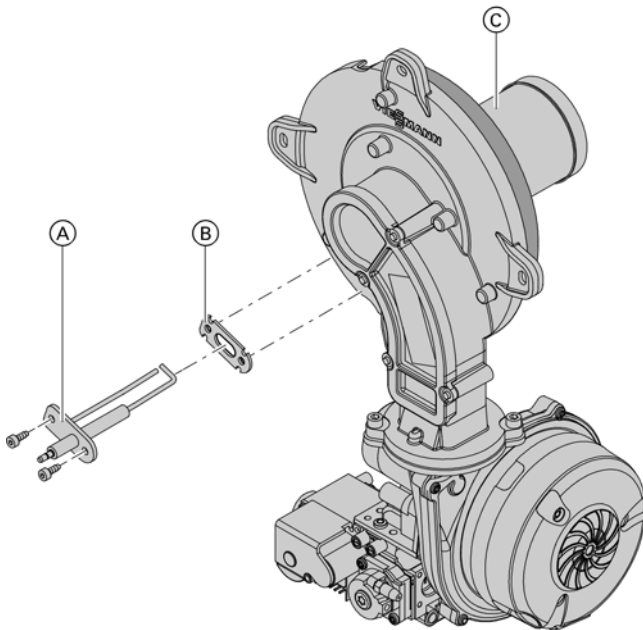
1. Switch the burner OFF (shut off main service switch).
2. Shut off the gas supply.
3. Pull power cables from fan motor (A), gas valve (B) and electrode block (C).
4. Pull the Venturi extension (D) from the fan.

CAUTION

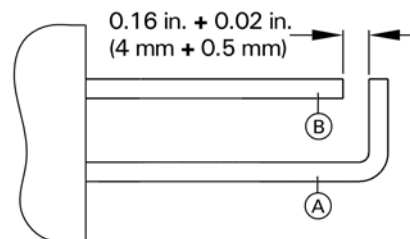
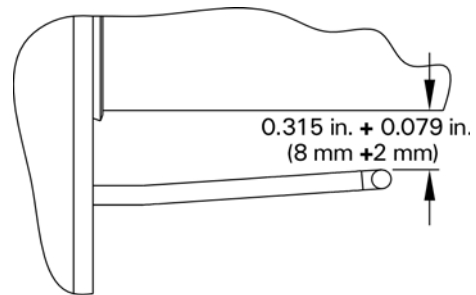
To avoid damage to the burner, do not lay burner on its cylindrical burner tube. Failure to heed this caution may cause damage to the burner tube, which may lead to improper operation.

5. Release gas supply pipe fitting (E).
Note: There is a gasket between the gas valve and this connection.
6. Loosen four Torx (T-30) screws (F) and remove burner.

Replacing the Electrode Block



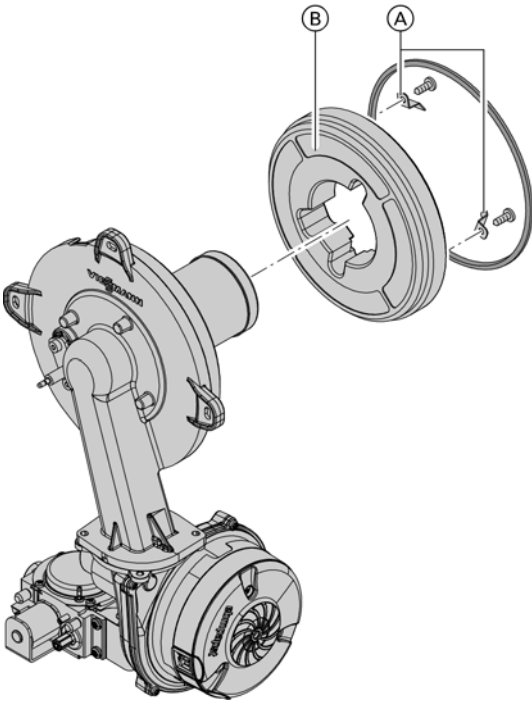
1. Remove 2 screws, electrode block (A) and gasket (B).
2. Insert new gasket (B) and electrode block (A) and tighten screws. Torque screws to 40 lb.in (4.5 Nm).
3. Reinstall power cable.
4. Check clearances as shown below.



Legend

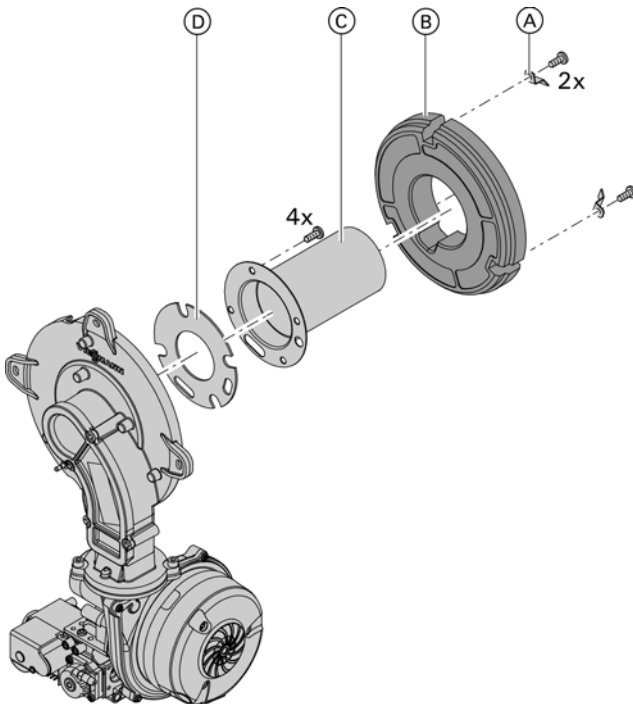
- (A) Ignition ionization electrode
- (B) Ground

Replacing the Burner Refractory



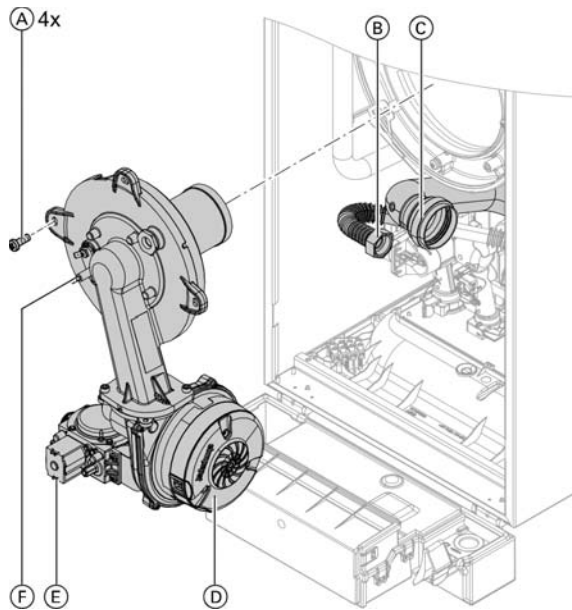
1. Remove 2 screws from brackets (A).
2. Remove burner refractory (B).
3. Install new burner refractory (B).
4. Secure with 2 brackets (A).
Torque screws to 35 lb.in (4 Nm).

Replacing the Burner Tube



1. Remove 2 screws from brackets (A).
2. Remove burner refractory (B).
2. Remove the 4 screws, burner tube (C) and burner gasket (D).
3. Install new burner tube (C) with new gasket (D).
Torque screws to 26 lb.in (3 Nm).
4. Reinstall burner refractory (B) and secure with brackets (A). Torque screws to 35 lb.in (4 Nm).

Reinstalling the Burner



WARNING

The gas supply piping must be leak tested before placing the boiler in operation.

1. Fit burner and tighten 4 T-30 screws (A) diagonally to a torque of 35 lb.in (4 Nm).
2. Insert new supplied gasket and tighten the fitting (B) on the gas connection pipe to a torque of 132 lb.in (15 Nm).
3. Plug the Venturi extension (C) into the radial fan (D).
4. Replace electrical cables from gas valve (E), and electrode block (F).
5. Open gas shutoff valve and switch on power supply.
6. Check the gas connection for tightness.
7. Reinstall front panel, as shown below.

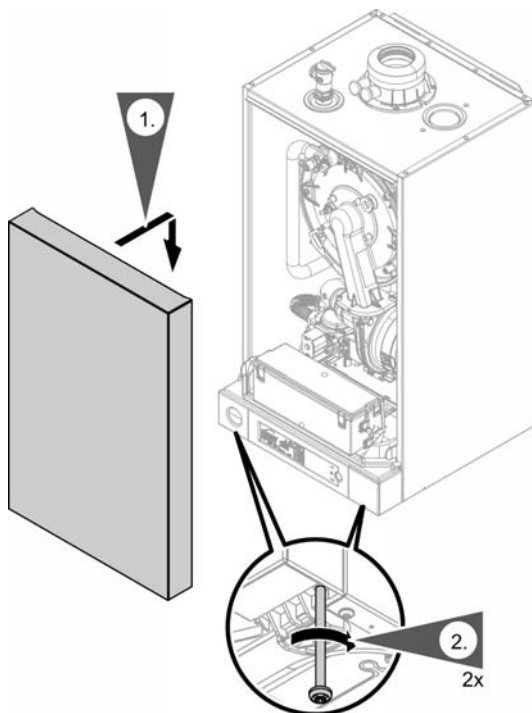
CAUTION

Ensure all joints of gas line are pressure tight and that gas valves do not leak when under normal operating pressure (use approved leak detection liquid).

Printed on environmentally friendly
(recycled and recyclable) paper.



Reinstalling the Front Panel



1. Install the front panel.
2. Tighten the screws at the bottom of the boiler.

Viessmann Manufacturing Company Inc.
750 McMurray Road
Waterloo, Ontario • N2V 2G5 • Canada
TechInfo Line 1-888-484-8643
1-800-387-7373 • Fax (519) 885-0887
www.viessmann.ca • info@viessmann.ca

Viessmann Manufacturing Company (U.S.) Inc.
45 Access Road
Warwick, Rhode Island • 02886 • USA
TechInfo Line 1-888-484-8643
1-800-288-0667 • Fax (401) 732-0590
www.viessmann-us.com • info@viessmann-us.com

Technical information subject to change without notice.