

# Installation and operating instructions for contractors

**VIESSMANN**

## Vitoplanar wireless receiver flush box

### **Safety instructions**



Please follow these safety instructions closely to prevent hazards, injury and material losses.

---

### **Safety instructions explained**



#### ***Danger***

*This symbol warns against the risk of injury.*

#### **Note**

*Text with the word Note contains additional information.*

---

Installation, commissioning, inspection, maintenance and repairs must only be carried out by an authorised, competent person (heating engineer/installation contractor).

6137930 GB 4/2021

Before working on the appliance/heating system, isolate it from the power supply (e.g. by removing a separate fuse or by means of a mains isolator) and safeguard against reconnection.

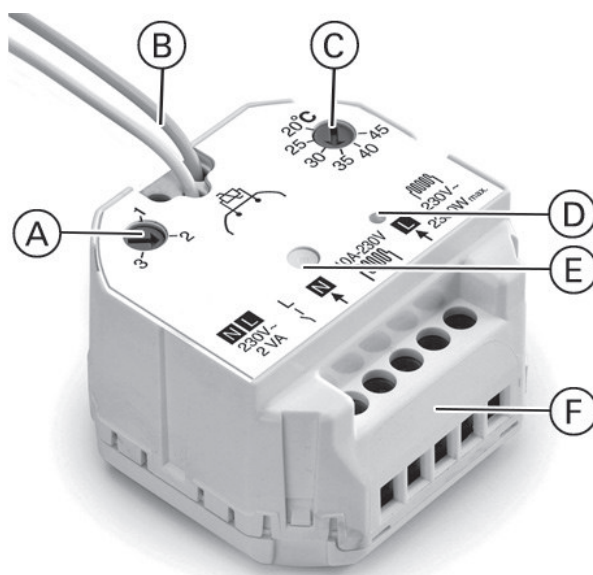
Repairing components that fulfil a safety function can compromise the safe operation of the system. For replacements, use only original spare parts supplied or approved by Viessmann.

## Function

In conjunction with a Vitoplanar wireless room thermostat, the Vitoplanar wireless receiver flush box enables simple switching of heating appliances.

The radio frequency of 868 MHz guarantees a large range and optimum connection.

- For connecting the Vitoplanar EI6...SDMH and EI2...MH to the wireless room thermostat
- Flush mounting
- Colour: White



- Ⓐ Rotary switch for operating mode
- Ⓑ Not required (power cable for room temperature sensor/floor temperature sensor)
- Ⓒ Not required (OFF temperature controller)

- Ⓓ Control lamp
- Ⓔ Button
- Ⓕ Terminals

## Installation

### Installation location

- Flush box close to the appliance to be switched (heat generator)
- A power supply must be available.
- Wireless reception must be available. Note the range. See "Specification".

## Setting the operating mode of the wireless receiver

Set operating mode rotary switch (A) to 1:  
For control via the room temperature with the assistance of the wireless room thermostat.

### **Note**

*To check the setting, press button briefly.*

*The control lamp lights up red once.*

*If the control lamp lights up more than once, the wrong setting has been selected. Set rotary switch to 1.*

## Electrical connection



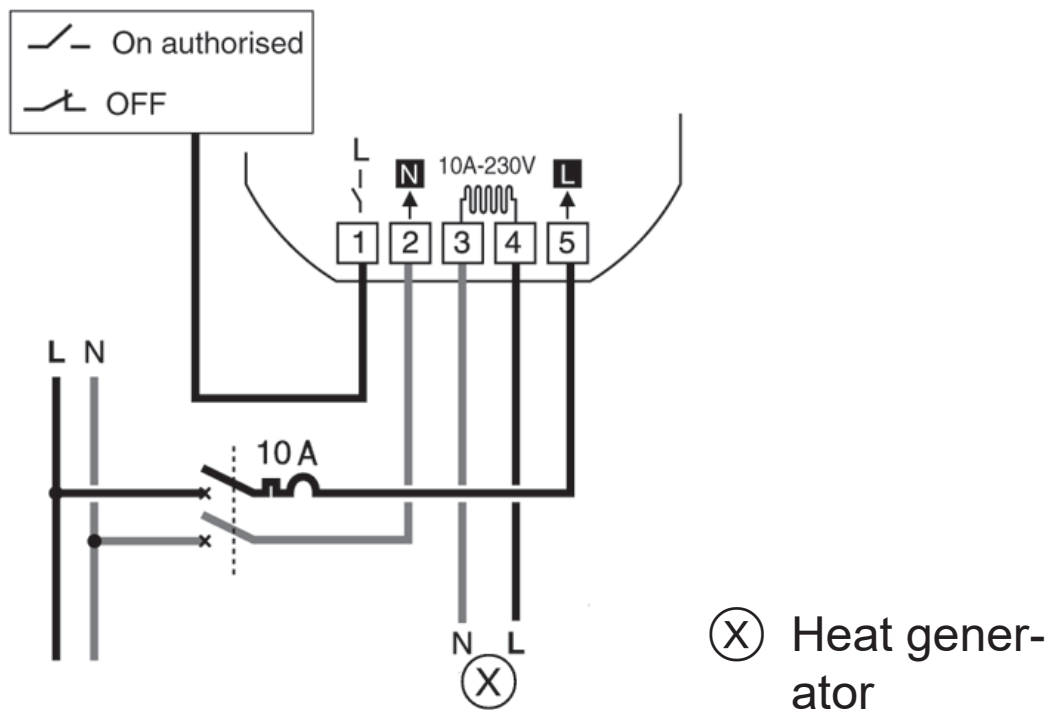
### **Danger**

Incorrect wiring can lead to serious injury from electrical current and result in appliance damage.

Connections to junction boxes must only be made by a qualified contractor.

### **Note**

*Ensure that the cores of the power cable are connected correctly!*



## Activating wireless protocol X3D

The wireless receiver is factory-set to wireless protocol X3D.

If the wireless receiver has been switched to wireless protocol X2D, then X3D can be activated as follows:

1. Supply power to the device. The control lamp indicates the active protocol:  
 Flashing x2: X2D  
 Flashing x3: X3D (no changeover required)

2. Briefly press the button on the wireless receiver.  
The wireless protocol is changed.  
The control lamp flashes 3 times (X3D).

**Note**

*Press the button briefly to switch between the wireless protocols.*

3. Press the button on the wireless receiver for longer than 3 seconds until control lamp starts flashing.  
The transmitter (wireless room thermostat) can now be connected.

**Note**

*If the wrong wireless protocol has been selected, no communication with the transmitter (wireless room thermostat) will be possible.*

## Connecting to the transmitter (wireless room thermostat)

**Note**

*The wireless room thermostat can be paired with up to 16 receivers.*

Press the button on the wireless receiver for longer than 3 seconds until control lamp starts flashing.  
Release the button.

**18**

Now connect the transmitter (wireless room thermostat).



Operating instructions for transmitter  
(wireless room thermostat)

Once the control lamp on the wireless receiver stops flashing, the devices are paired.

## Deleting all device pairings

To delete all device pairings, press the button on the wireless receiver for longer than 30 seconds. After 3 seconds, the control lamp starts to flash slowly. Press and hold the button until the control lamp goes out.

## Behaviour of receiver in the event of no connection

If there is incorrect or no communication between thermostat and receiver for more than one hour, the receiver switches to emergency mode (30 % for PI control, OFF for ON/OFF control). The control lamp flashes.

To switch over to continuous heating, press the button once.

The control lamp lights up continuously.

6137930 Pressing the button again switches the receiver back to the previous mode.

GB

## Closing the device



### **Danger**

Electrical current can cause life threatening injuries.

Close the cover of the flush box after completing the work.

## Disposal of packaging

Please dispose of packaging waste in line with statutory regulations.



## Specification

Power supply	V	230
Power consumption	VA	2
Switching current	A	Max. 10
Function type		Type 1.C (micro switch-off)
Radio frequency (EN 300220)	MHz	868
Wireless range		
■ In a free field	m	Max. 300
■ Inside buildings	m	Max. 100
Protection class		II
IP rating		IP 20
Permissible ambient temperature		
■ Operation	°C	0 to +40
■ Storage and transport	°C	-10 to +70
Dimensions H x W x D	mm	50 x 47 x 33

GB

## Declaration of Conformity

We, Viessmann Climate Solutions SE, 35108 Allendorf, declare as sole responsible body that the named product complies with the European directives and supplementary national requirements in terms of its design and operational characteristics.

Using the serial number, the full Declaration of Conformity can be found on the following website:

**[www.viessmann.co.uk/eu-conformity](http://www.viessmann.co.uk/eu-conformity)**

Subject to technical modifications.

6137930