

## Flow temperature sensor

for Divicon heating circuit distributor with mixer

---

### Safety instructions



**Please follow these safety instructions closely to prevent accidents and material losses.**

### Safety instructions explained



#### **Please note**

This symbol warns against the risk of material losses and environmental pollution.

Removal, installation, commissioning, inspection, maintenance and repairs must be carried out by a competent person (heating engineer/installation contractor).

Before working on the appliance/heating system, isolate the system from the power supply (e.g. by removing a separate mains fuse or by means of a main isolator) and safeguard against unauthorised reconnection.

When using gas as fuel, also close the main gas shut-off valve and safeguard against unauthorised reopening.

Repairing components that fulfil a safety function can compromise the safe operation of your system. For replacements, use only original spare parts supplied or approved by Viessmann.

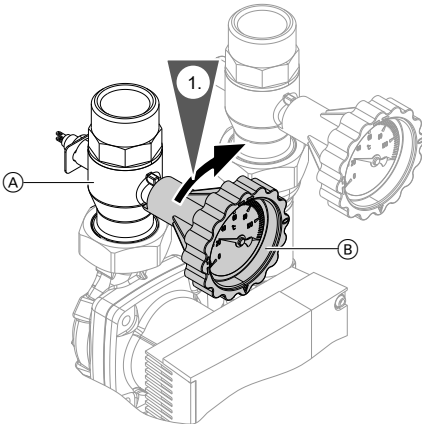
## Installing the flow temperature sensor



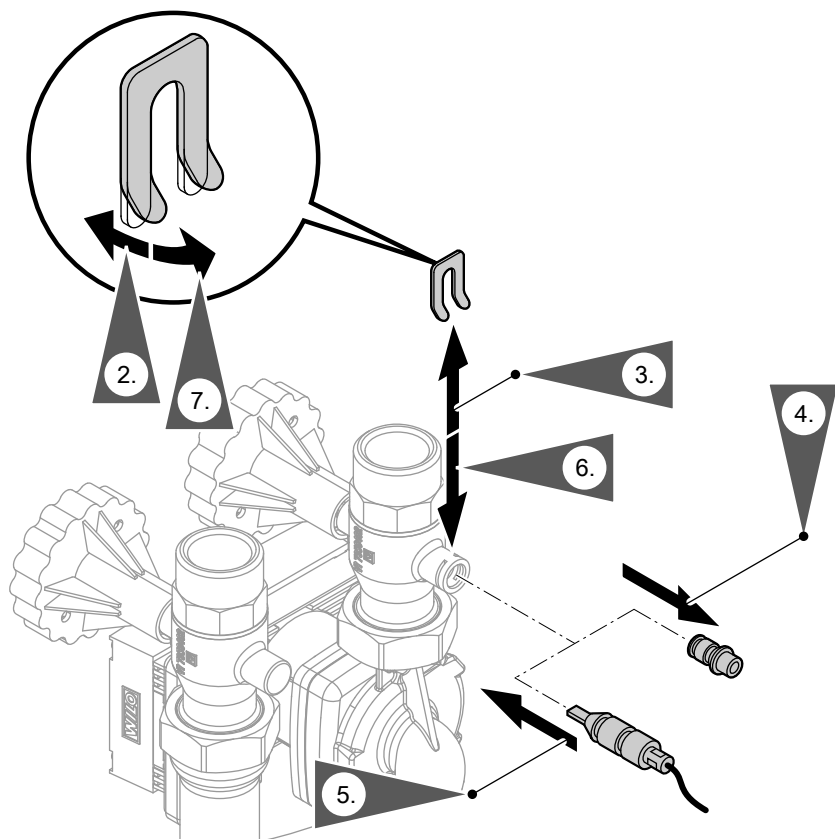
### Please note

The flow temperature sensor or plug sits directly in the heating water.

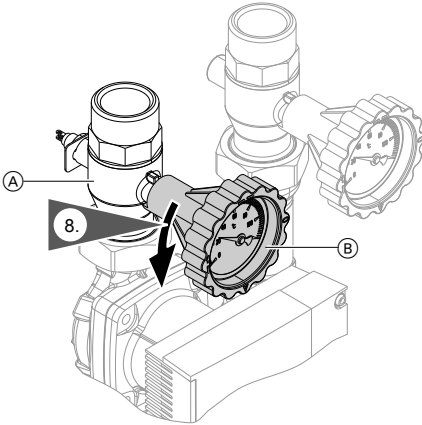
- Wherever possible, do not carry out installation when the system is full.
- If the system is full, close the ball valve (A) on the thermometer handle (B) of the Divicon by turning. A small volume of residual water may escape.



## Installing the flow temperature sensor (cont.)



## Installing the flow temperature sensor (cont.)



Viessmann Werke GmbH & Co. KG  
D-35107 Allendorf  
Telephone: +49 6452 70-0  
Fax: +49 6452 70-2780  
[www.viessmann.com](http://www.viessmann.com)

Viessmann Limited  
Hortonwood 30, Telford  
Shropshire, TF1 7YP, GB  
Telephone: +44 1952 675000  
Fax: +44 1952 675040  
E-mail: [info-uk@viessmann.com](mailto:info-uk@viessmann.com)

5727 672 GB Subject to technical modifications.