

## Gasket Installation

Part No. 7826 214 to 7826 220

for Vitodens 100-W, WB1A boilers

---

### Safety and Installation Requirements

**Please ensure that these instructions are read and understood before starting any service work. Failure to comply with these instructions may cause product/property damage, severe personal injury and/or loss of life.**

#### Working on the equipment

The installation, adjustment, service and maintenance of this product must be performed by a licensed professional heating contractor who is qualified and experienced in the installation, service, and maintenance of hot water boilers. There are no user serviceable parts on the boiler, burner or control.

Ensure that main power to the equipment being serviced is off.

Ensure that the main fuel supply valve to the boiler is closed.

Take precautions to avoid accidental activation of power or fuel during service work.

Do not perform service work on any component part without ensuring safe operation of the heating system. When replacing parts, use original Viessmann or Viessmann approved replacement parts.



*Refer to the Installation /Service Instructions applicable to this boiler*

## Gasket Installation

Part No. 7826 214 to 7826 220

for Vitodens 100-W, WB1A boilers

---

### Safety and Installation Requirements

**Please ensure that these instructions are read and understood before starting any service work. Failure to comply with these instructions may cause product/property damage, severe personal injury and/or loss of life.**

#### Working on the equipment

The installation, adjustment, service and maintenance of this product must be performed by a licensed professional heating contractor who is qualified and experienced in the installation, service, and maintenance of hot water boilers. There are no user serviceable parts on the boiler, burner or control.

Ensure that main power to the equipment being serviced is off.

Ensure that the main fuel supply valve to the boiler is closed.

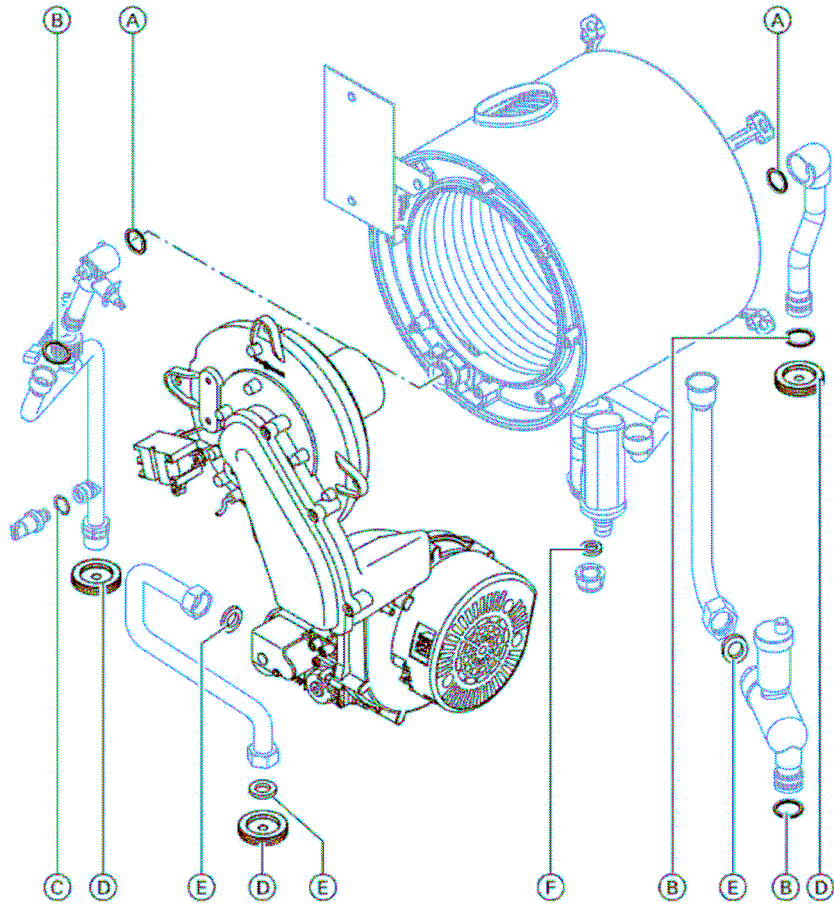
Take precautions to avoid accidental activation of power or fuel during service work.

Do not perform service work on any component part without ensuring safe operation of the heating system. When replacing parts, use original Viessmann or Viessmann approved replacement parts.



*Refer to the Installation /Service Instructions applicable to this boiler*

## Gasket Installation



- (A) O-ring  $\varnothing$  20.6 x 2.6 mm
- (B) O-ring  $\varnothing$  17.8 x 2.6 mm
- (C) O-ring  $\varnothing$  9.6 x 2.6 mm
- (D) Rubber Grommet
- (E) Gasket  $\varnothing$  17.0 x 24.0 x 2.0 mm
- (F) Gasket  $\varnothing$  19 mm

Viessmann Manufacturing Company (U.S.) Inc.  
 45 Access Road  
 Warwick, Rhode Island • 02886 • USA  
 1-800-288-0667 • Fax (401) 732-0590  
 www.viessmann-us.com • info@viessmann-us.com

Viessmann Manufacturing Company Inc.  
 750 McMurray Road  
 Waterloo, Ontario • N2V 2G5 • Canada  
 1-800-387-7373 • Fax (519) 885-0887  
 www.viessmann.ca • info@viessmann.ca

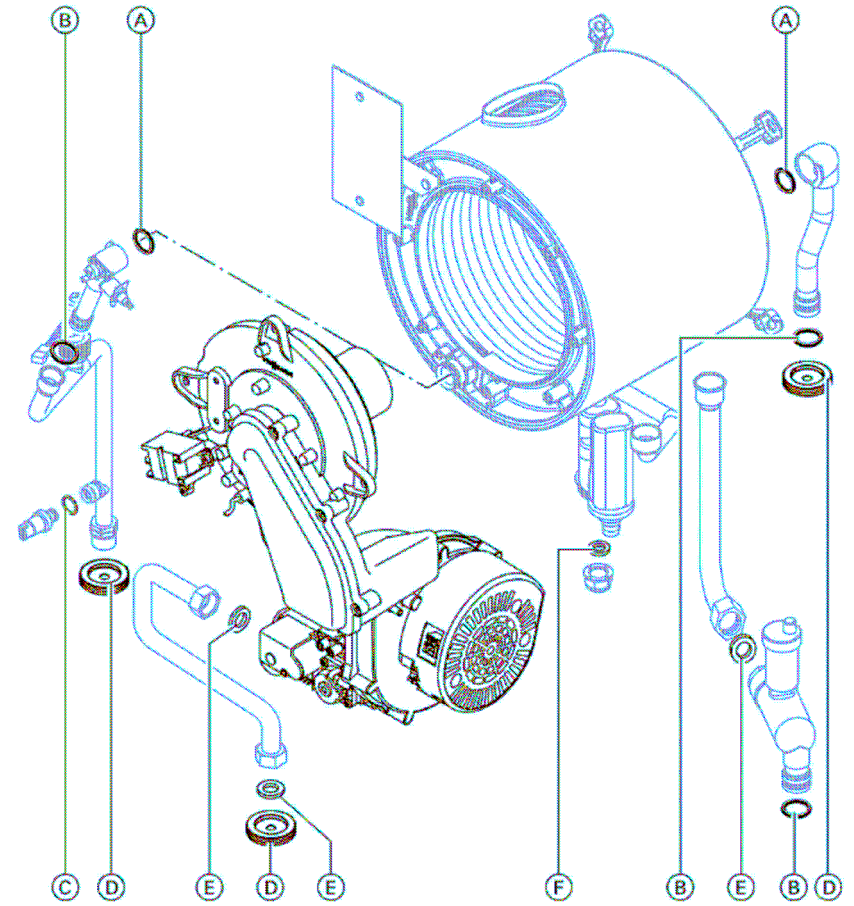
Printed on environmentally friendly  
 (recycled and recyclable) paper.



Technical information subject to change without notice.

5346 443 CA v1.1

## Gasket Installation



- (A) O-ring  $\varnothing$  20.6 x 2.6 mm
- (B) O-ring  $\varnothing$  17.8 x 2.6 mm
- (C) O-ring  $\varnothing$  9.6 x 2.6 mm
- (D) Rubber Grommet
- (E) Gasket  $\varnothing$  17.0 x 24.0 x 2.0 mm
- (F) Gasket  $\varnothing$  19 mm

Viessmann Manufacturing Company (U.S.) Inc.  
 45 Access Road  
 Warwick, Rhode Island • 02886 • USA  
 1-800-288-0667 • Fax (401) 732-0590  
 www.viessmann-us.com • info@viessmann-us.com

Viessmann Manufacturing Company Inc.  
 750 McMurray Road  
 Waterloo, Ontario • N2V 2G5 • Canada  
 1-800-387-7373 • Fax (519) 885-0887  
 www.viessmann.ca • info@viessmann.ca

Printed on environmentally friendly  
 (recycled and recyclable) paper.



Technical information subject to change without notice.

5346 443 CA v1.1