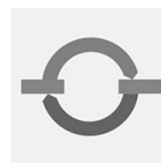


Operating instructions for the system user

VIESSMANN

Room thermostat
Type UTA-RF



VITOTROL 100



Safety instructions

For your safety



Please follow these safety instructions closely to prevent accidents and material losses.

Safety instructions explained



Danger

This symbol warns against the risk of injury.



Please note

This symbol warns against the risk of material losses and environmental pollution.

Note

Details identified by the word "Note" contain additional information.

Target group

These operating instructions are for the heating system user.

This unit is **not** designed to be used by persons (including children) with limited bodily, sensory or mental capacities, or lacking experience and/or lacking knowledge, unless they are supervised by a person responsible for their safety, or have received instructions from such a person as to how to use the unit.



Please note

Children should be supervised. Ensure that children do not play with the unit.



Danger

Incorrectly executed work on the heating system can lead to life-threatening accidents.

- Work on gas appliances must only be carried out by a registered gas fitter.
- Work on electrical equipment must only be carried out by a qualified electrician.

If you smell gas



Danger

Escaping gas can lead to explosions which may result in serious injury.

- Do not smoke. Prevent naked flames and sparks. Never switch lights or electrical appliances ON or OFF.
- Close the gas shut-off valve.
- Open windows and doors.
- Remove all people from the danger zone.
- Notify your gas or electricity supplier and your heating contractor from outside the building.
- Shut off the electricity supply to the building from a safe place (outside the building).

For your safety (cont.)

If you smell flue gas



Danger

Flue gas can lead to life-threatening poisoning.

- Shut down the heating system.
- Ventilate the boiler room.
- Close all doors in the living space.

In case of fire



Danger

Fire creates the risk of burning and explosions.

- Shut down the heating system.
- Close the shut-off valves of the fuel lines.
- Use a tested fire extinguisher, class ABC.

Boiler room requirements



Please note

Incorrect ambient conditions can lead to damage to the heating system and put the safe operation at risk.

- Ensure ambient temperatures above 0 °C and below 35 °C.
- Prevent air contamination by halogenated hydrocarbons (e.g. as contained in paints, solvents or cleaning fluids) and excessive dust (e.g. through grinding/polishing work).
- Avoid continuously high humidity levels (e.g. through frequent drying of washing).
- Never close existing ventilation apertures.

Ancillary components, spare and wearing parts



Please note

Components that are not tested with the heating system may lead to damage to the heating system, or may affect their various functions. Installation or replacement work must only be carried out by qualified personnel.

Index

Index

Where to find the controls

Summary of controls and indicators	5
■ Functions	5

Settings

Selecting a heating program	6
Setting the room temperature	8
■ Standard room temperature	8
■ Reduced room temperature	8
Creating the day program for automatic mode	9
Setting the time	10
Setting the summer/winter time	10

What to do if...

... rooms are too cold	11
... rooms are too hot	11
... the DHW is too cold	11
... The LED "function indication" flashes	12
Changing the batteries	12

Maintenance

Cleaning	13
----------------	----

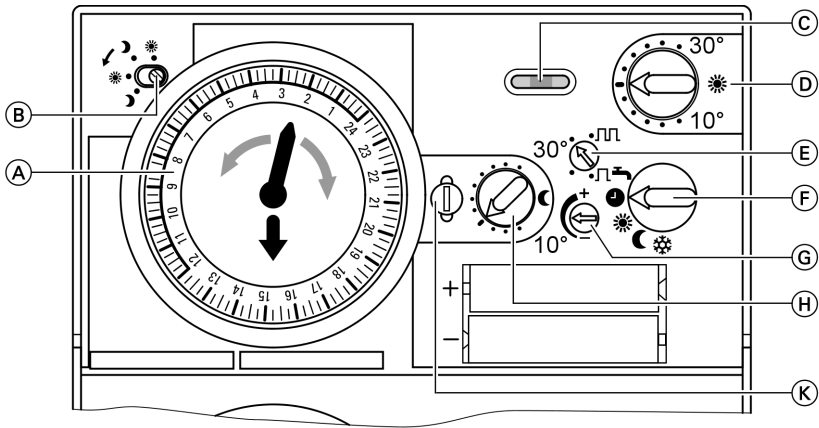
Energy saving tips	14
--------------------------	----

Keyword index	15
---------------------	----

Summary of controls and indicators

Functions

The time switch regulates the heating operation and DHW heating in accordance with the selected heating program.



- | | |
|--|---|
| <ul style="list-style-type: none"> (A) Time switch with day program (B) Switch status display (C) Function display <ul style="list-style-type: none"> ■ Illuminates in heating mode ■ Flashes when the batteries are spent (D) Control thermostat for standard mode | <ul style="list-style-type: none"> (E) Controller for electronic feedback (to be set up by your contractor) (F) Heating program selector (G) Controller for temperature matching (to be set up by your contractor) (H) Control thermostat for reduced mode (K) Closure for securing the device |
|--|---|

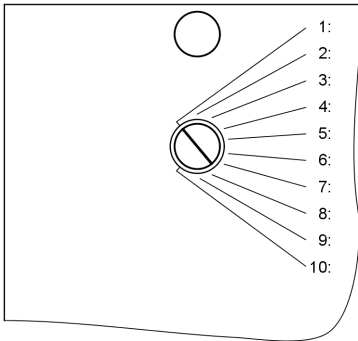
Settings

Selecting a heating program

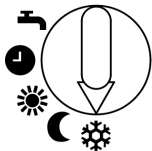
Central heating and DHW heating take place in accordance with the selected program.

In every program, the setting of the rotary selector on the back of the Vitotrol takes priority.

To check the position of the rotary selector, remove the Vitotrol 100 from its wall retainer by unlocking closure (K) (see page 5).



Rotary selector position	DHW heating function
1	DHW heating in accordance with the selected time program
2	DHW heating "permanently ON", independent of the selected time program
3	DHW heating "permanently OFF", independent of the selected time program



☀ "Standby mode"

Vitotrol 100 will only start when the room temperature drops below +6 °C (e.g. to start during the holidays to prevent house plants dying due to cold).

The system no longer provides DHW heating.

Selecting a heating program (cont.)



➔ "Reduced mode"

Constant central heating with reduced room temperature.

Changing the reduced room temperature see page 8.

The system no longer provides DHW heating.

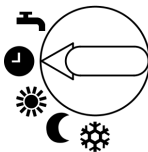


⚙️ "Standard mode"

Constant central heating with standard room temperature.

Changing the standard room temperature see page 8.

The system provides DHW heating constantly.

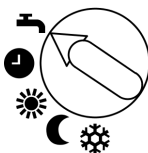


🕒 "Automatic mode"

The central heating switches between standard mode and reduced mode in accordance with the selected day program.

Adjusting the day program, see page 9.

DHW heating within the standard operation period.



☀️ "Summer mode"

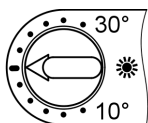
Central heating starts only if the room temperature falls below +6 °C.

DHW heating within the standard operation period.

Settings

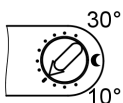
Setting the room temperature

Standard room temperature



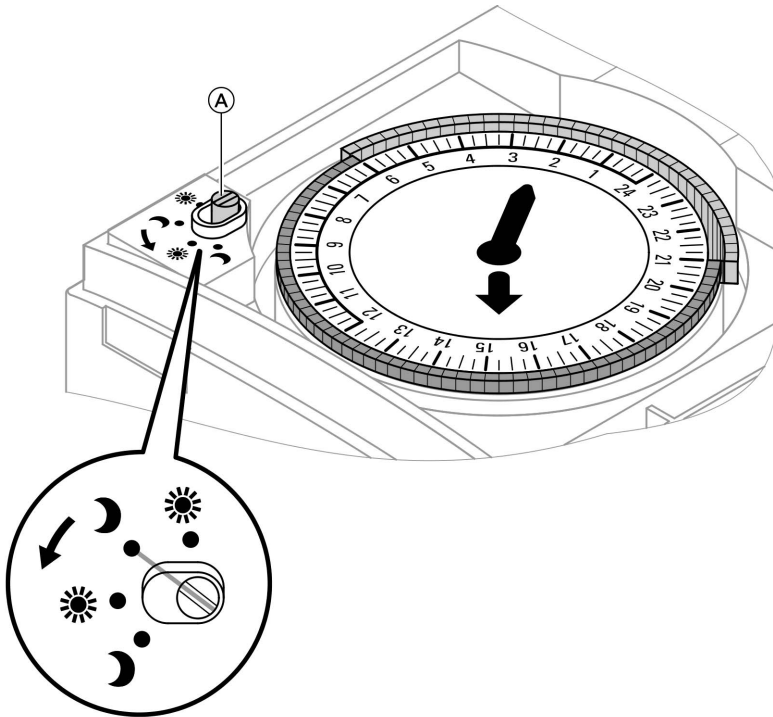
With the temperature controller, set the required temperature for standard mode "☀".

Reduced room temperature



With the temperature controller, set the required temperature for reduced mode "☾".

Creating the day program for automatic mode



1. Open the room thermostat flap.
2. Subject to the required period for operation with standard room temperature and DHW heating (e.g. 06:00 to 21:00 h), flip all slides **inwards** for that period.
3. Subject to the required period for operation with reduced room temperature (e.g. 21:15 to 05:45 h), flip all slides **outwards** for that period.
4. Check whether all slides are pushed in as far as possible.
5. Close the room thermostat flap and set the current time (see page 9).

Note

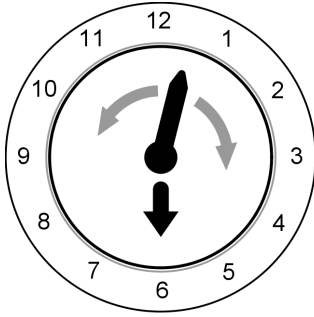
In automatic mode the time switch display (A) shows which program is currently enabled.

"☀" "Standard mode

"☾" "Reduced mode

Settings

Setting the time



Adjust the time by moving the minute hand.

Note

Set the time again after a power failure.

Moving the hand anticlockwise requires greater force.

*This will **not** damage the mechanical parts of the clock.*

Setting the summer/winter time

Changing from winter to summer time (in spring)

Move the hand one hour on.

Changing from summer to winter time (in autumn)

Move the hand one hour back.

... rooms are too cold

Cause	Remedy
Vitotrol 100 incorrectly adjusted	Check settings and correct if required: <ul style="list-style-type: none"> ■ Program (see page 6) ■ Room temperature (see page 8) ■ Day program (see page 9) ■ Time (see page 10)
Connected component faulty (e.g. heating circuit pump)	Check the device and notify your local heating contractor if required
Wireless connection interrupted	Notify your local heating contractor

... rooms are too hot

Cause	Remedy
Vitotrol 100 incorrectly adjusted	Check settings and correct if required: <ul style="list-style-type: none"> ■ Program (see page 6) ■ Room temperature (see page 8) ■ Day program (see page 9) ■ Time (see page 10)
Wireless connection interrupted	Notify your local heating contractor

... the DHW is too cold

Cause	Remedy
Vitotrol incorrectly adjusted	<ul style="list-style-type: none"> ■ Check setting of the program selector (see page 6) ■ Check the setting of the rotary selector at the back of the Vitotrol (see page 6)
Wireless connection interrupted	Notify your local heating contractor

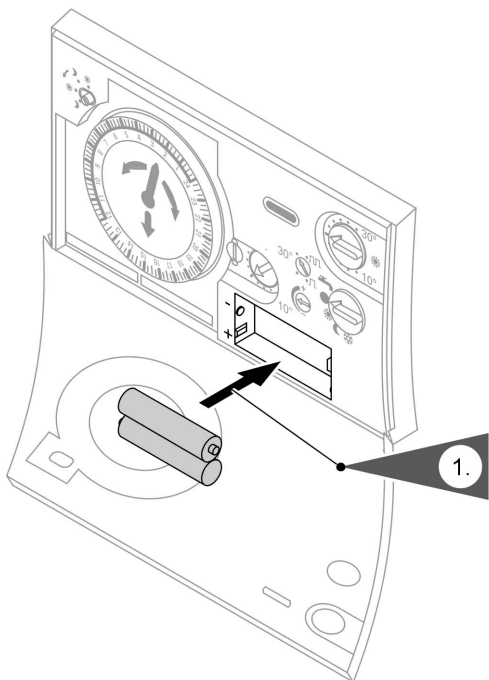
What to do if...

... The LED "function indication" flashes

Cause	Remedy
Batteries dead	Battery replacement (see page 12)

Changing the batteries

- Use only alkaline batteries, 1.5 V
Mignon alkaline cells, type LR6/AA
that contain no noxious substances.
- Never use rechargeable batteries.
- Replace **both** batteries annually.



Cleaning

The equipment can be cleaned with a commercially available domestic cleaning agent (non-scouring).

Energy saving tips

Energy saving tips

With the following steps, you can save additional energy.

- Correct ventilation/airing.
Briefly open windows fully and at the same time close the thermostatic radiator valves.
- Never overheat a room; endeavour to achieve 20 °C room temperature; every degree of room temperature reduction saves up to 6 % of your heating bills.
- Close roller shutters (where installed) at dusk.
- Make use of the remote control options, e.g. standard room temperature alternating with reduced room temperature.

Keyword index

A		S	
Applicability.....	15	Selecting a program.....	6
Automatic mode.....	7	Setting automatic mode.....	9
C		Setting the room temperature.....	8
Cleaning.....	13	Setting the summer time.....	10
Controls and display elements.....	5	Setting the time.....	10
Creating a day program.....	9	Setting the winter time.....	10
E		Settings.....	6
Energy saving.....	14	Standard mode.....	7
R		Standard mode.....	7
Reduced mode.....	7	Standard room temperature.....	7, 8
Reduced room temperature.....	7, 8	Standby mode.....	6



Applicability

For the Vitotrol 100, type UTA-RF

Part no. 7296 064

Your contact

Contact your local contractor if you have any questions regarding the maintenance and repair of your system. You may, for example, find local contractors on the internet under www.viessmann.com.

Viessmann Werke GmbH&Co KG
D-35107 Allendorf
Telephone: +49 6452 70-0
Fax: +49 6452 70-2780
www.viessmann.com

Viessmann Limited
Hortonwood 30, Telford
Shropshire, TF1 7YP, GB
Telephone: +44 1952 675000
Fax: +44 1952 675040
E-mail: info-uk@viessmann.com