

Replacing the thermal insulation ring

for Vitodens, Vitotwin and Vitovalor

Safety instructions



Please follow these safety instructions closely to prevent accidents and material losses.

Safety instructions explained



Danger

This symbol warns against the risk of injury.

When using gas as fuel, also close the main gas shut-off valve and safeguard against unauthorised reopening.

Repairing components which fulfil a safety function can compromise the safe operation of your heating system. For replacements, use only original spare parts supplied or approved by Viessmann.

Note

Details identified by the word "Note" contain additional information.

Installation, initial start-up, inspection, maintenance and repairs must only be carried out by a competent person (heating engineer/installation contractor).

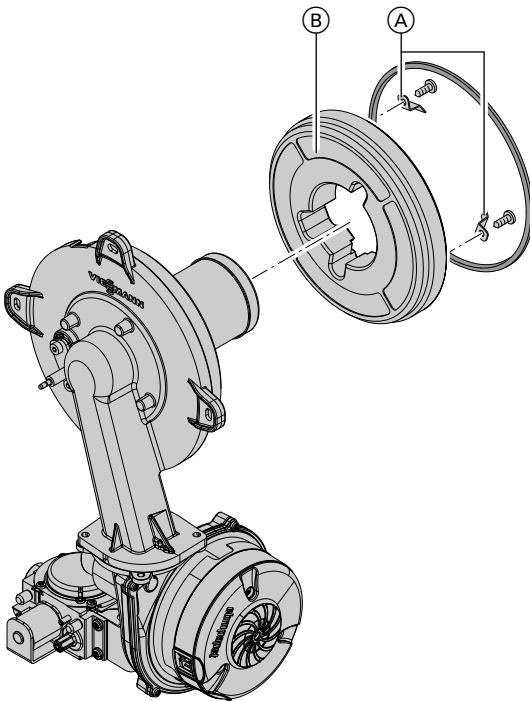
Before working on the equipment/heating system, isolate the power supply (e.g. by removing a separate mains fuse or by means of a mains isolator) and safeguard against unauthorised reconnection.

Opening the appliance and removing the burner



Installation and service instructions

Replacing the thermal insulation ring



1. Undo 2 screws and remove retaining brackets (A).
2. Remove thermal insulation ring (B).
3. Fit new thermal insulation ring (B) and secure retaining brackets (A) with screws.
Torque for fixing screws: 4 Nm
4. Install the burner.
5. Start the boiler and check for leaks.



Installation and service instructions

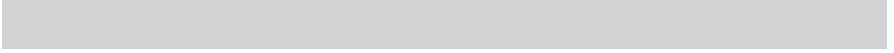


Danger

Escaping gas leads to a risk of explosion.
Check all gas equipment for tightness.

Note

Insert new gaskets on all gas connections.





Viessmann Werke GmbH & Co. KG
D-35107 Allendorf
Telephone: +49 6452 70-0
Fax: +49 6452 70-2780
www.viessmann.com

Viessmann Limited
Hortonwood 30, Telford
Shropshire, TF1 7YP, GB
Telephone: +44 1952 675000
Fax: +44 1952 675040
E-mail: info-uk@viessmann.com

5603 004 GB Subject to technical modifications.