

## Replacing the hydraulic assembly

for Vitodens 100-W

---

### Safety instructions



**Please follow these safety instructions closely to prevent accidents and material losses.**

#### Safety instructions explained



##### **Danger**

This symbol warns against the risk of injury.



##### **Please note**

This symbol warns against the risk of material losses and environmental pollution.

##### **Note**

*Details identified by the word "Note" contain additional information.*

Installation, initial start-up, inspection, maintenance and repairs must only be carried out by a competent person (heating engineer/installation contractor).

Before working on the equipment/heating system, isolate the power supply (e.g. by removing a separate mains fuse or by means of a mains isolator) and safeguard against unauthorised reconnection.

When using gas as fuel, also close the main gas shut-off valve and safeguard against unauthorised reopening.

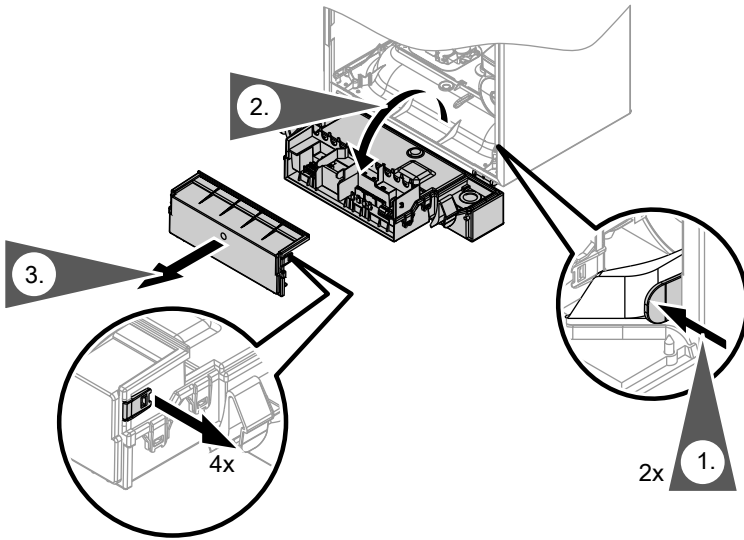
Repairing components which fulfil a safety function can compromise the safe operation of your heating system. For replacements, use only original spare parts supplied or approved by Viessmann.

### Opening the Vitodens



Installation and service instructions

## Opening the control unit enclosure



### **Please note**

Electronic assemblies can be damaged by electrostatic discharge.

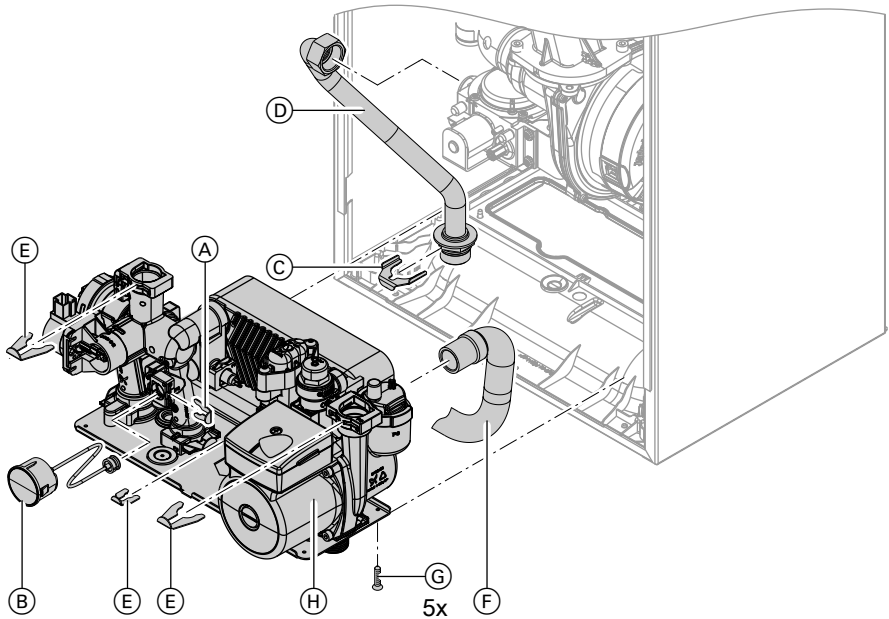
Prior to commencing any work, touch earthed objects such as heating or water pipes to discharge static loads.

## Replacing the hydraulic assembly

### **Note**

*Residual water may escape during removal.*

## Replacing the hydraulic assembly (cont.)



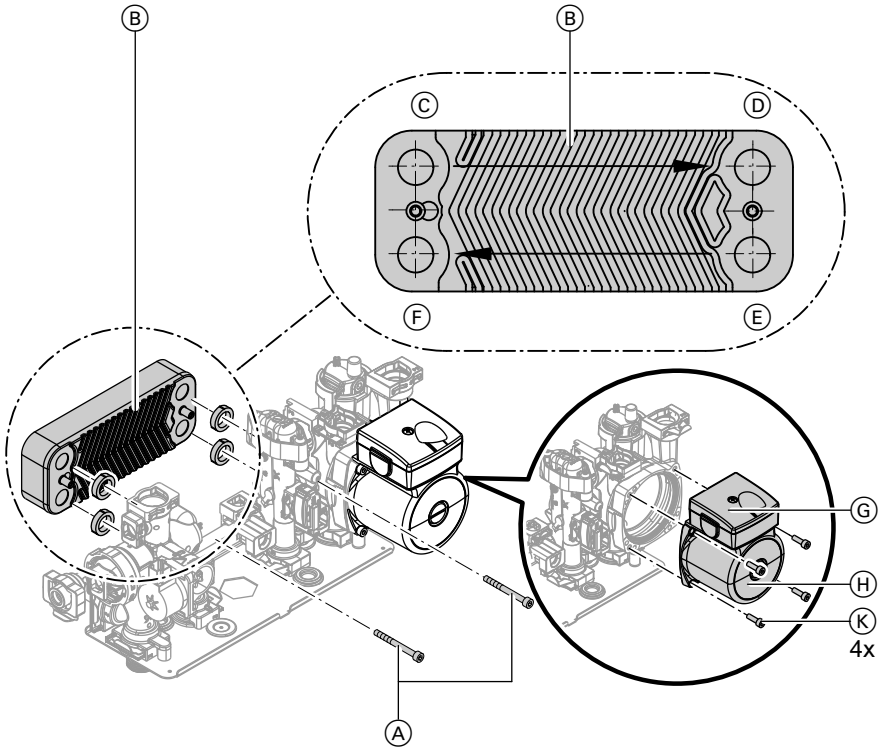
1. Drain the boiler on the heating water and DHW sides.
2. Disconnect all electrical plugs from components of the hydraulic assembly.
3. Pull off spring clip (A) and remove capillary tube from pressure gauge (B).
4. Undo fittings, pull off spring clip (C) and remove gas supply pipe (D).
5. Remove all heating water and DHW connections from the hydraulic assembly.
6. Remove spring clips (E) from all internal hydraulic connections and pull out hydraulic connections.
7. Pull drain hose (F) off the safety valve.
8. Undo screws (G), slightly lift hydraulic assembly (H) and remove towards the front.



Installation and service instructions

## Replacing components

### Multi stage circulation pump

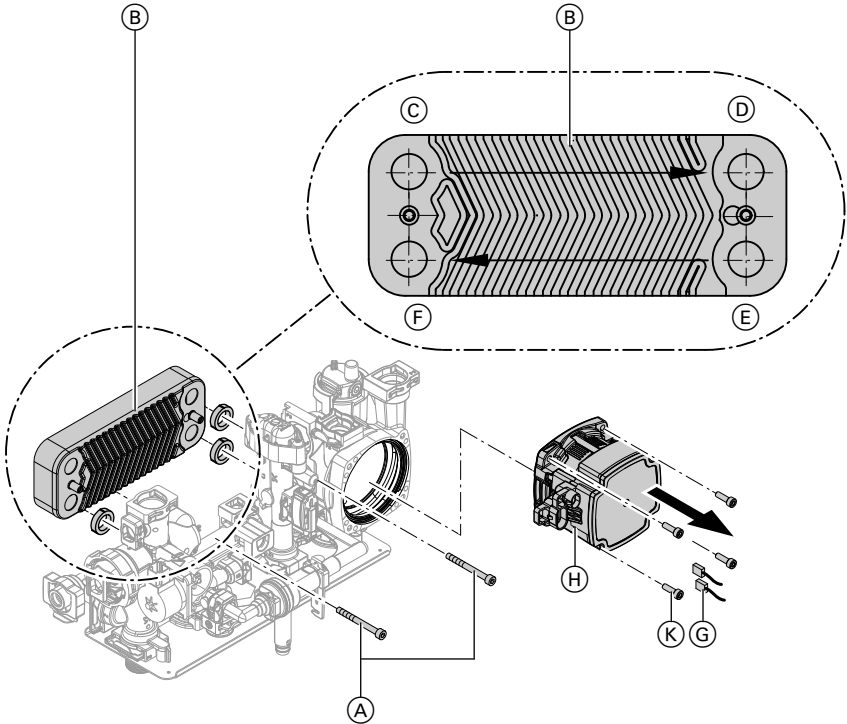


- (C) Heating water flow
- (D) Heating water return

- (E) Cold water
- (F) DHW

## Replacing components (cont.)

### High efficiency circulation pump



- (C) Heating water flow
- (D) Heating water return

- (E) Cold water
- (F) DHW

### Replacing the plate heat exchanger (gas condensing combi boiler)

1. Undo 2 screws (A) on plate heat exchanger (B) and remove plate heat exchanger with gaskets. Dispose of gaskets.
2. Check the connections on the DHW side for scaling; clean or replace the plate heat exchanger if required.
3. Check the connections on the heating water side for contamination; clean or replace the plate heat exchanger if required.

#### Note

*During and after removal, small amounts of water may trickle from the plate heat exchanger.*



## Replacing components (cont.)

4. On the new hydraulic assembly, undo screws (A) and remove cover. Use the fitted gaskets for installing the plate heat exchanger.
5. Fit the plate heat exchanger into the new hydraulic assembly in reverse order.

### **Note**

*During installation, ensure the fixing holes are aligned and the gaskets are seated correctly. Mount the plate heat exchanger with the correct orientation.*

## Replacing the circulation pump

1. **Note**  
*Residual water may escape during removal.*
3. Fit the new circulation pump into the new hydraulic assembly in reverse order.

Remove cover (G) from circulation pump (H) and pull off the electrical connections.

2. Undo 4 screws (K) and remove circulation pump (H).



### **Please note**

Tighten screws carefully and do not over-tighten. Otherwise the thread may be damaged.

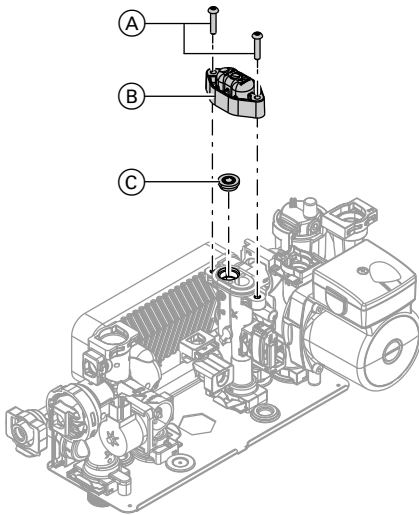
## Replacing the flow limiter (gas condensing combi boiler)

In the delivered condition, a 10 l/min flow limiter (black) is fitted. Use the serial no. (see type plate) to select the correct flow limiter from the table in the installation and service instructions. Fit the flow limiter.



Vitodens 100-W installation and service instructions

## Replacing the flow limiter (gas condensing... (cont.))



1. Undo screws (A).
2. Remove cap (B).
3. Remove flow limiter (C) and replace with the correct one.
4. Assemble the appliance in reverse order.

## Appliance assembly

1. Fit the new hydraulic assembly together with new gaskets and secure with the screws.  
Lubricate the O-rings with the valve grease supplied.
2. Reassemble the boiler in reverse order.
3. Fill the boiler with water, flush (vent) and check for leaks.



Installation and service instructions



### **Danger**

Escaping gas leads to a risk of explosion.  
Check all gas equipment for tightness.



Viessmann Werke GmbH & Co. KG  
D-35107 Allendorf  
Telephone: +49 6452 70-0  
Fax: +49 6452 70-2780  
[www.viessmann.com](http://www.viessmann.com)

Viessmann Limited  
Hortonwood 30, Telford  
Shropshire, TF1 7YP, GB  
Telephone: +44 1952 675000  
Fax: +44 1952 675040  
E-mail: [info-uk@viessmann.com](mailto:info-uk@viessmann.com)

5614 439 GB Subject to technical modifications.