

## Internal extension H2, part no. 7179 144

---

### Safety instructions



**Please observe these safety instructions.**

Installation, initial start-up, inspection, maintenance and repairs must be carried out by a competent person (heating engineer/installation contractor).

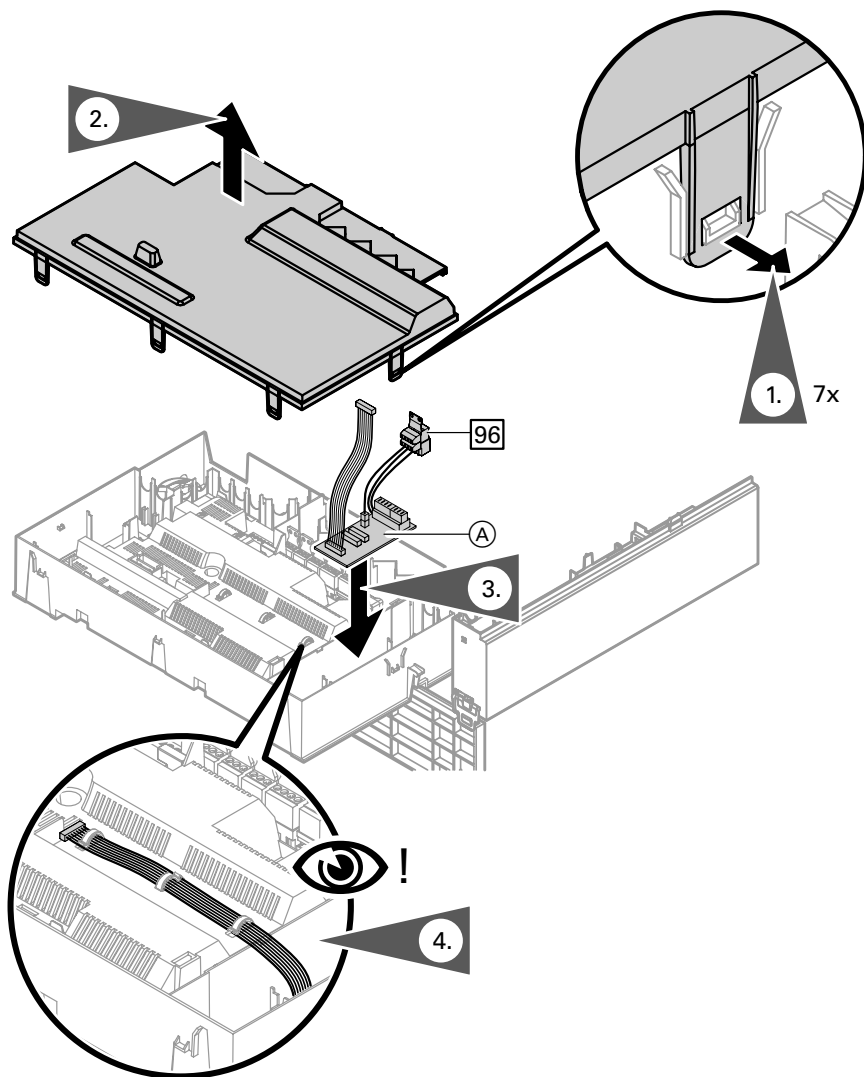
Before working on the equipment/heating system, isolate the mains electrical supply (e.g. by removing a separate mains fuse or by means of a mains electrical isolator) and safeguard against unauthorised reconnection.

When using gas as fuel, also close the main gas shut-off valve and safeguard against unauthorised reopening.

It is not permitted to carry out repairs on parts that fulfil a safety function.

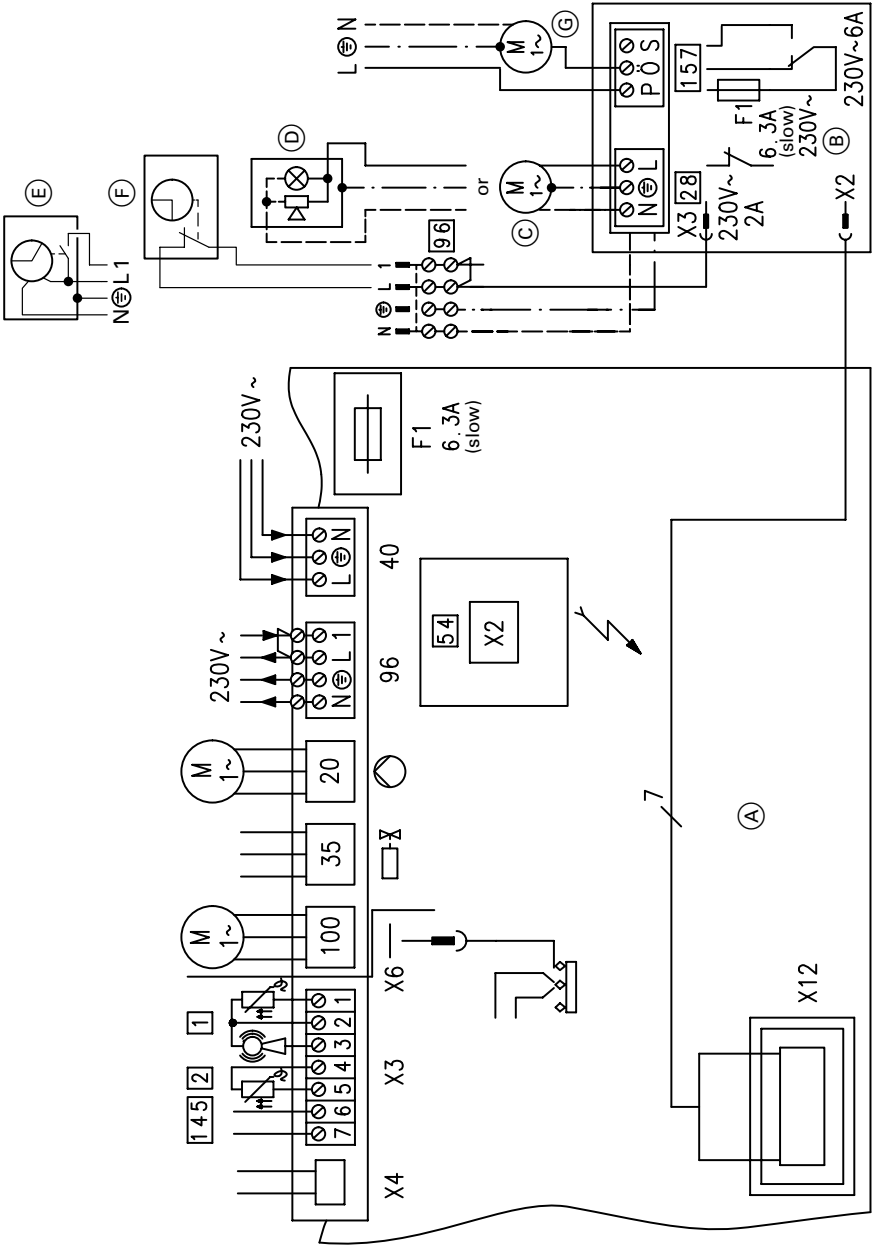
Use only original Viessmann spare parts, or equivalent parts that have been approved by Viessmann.

## Installing the internal extension



Ⓐ Internal extension

# Connection diagram



## Connection diagram (cont.)

- Ⓐ Main control unit PCB
- Ⓑ Internal extension H2

### 28 Connections on plug 28

- Ⓒ External heating circuit pump  
or  
Cylinder loading pump  
or  
DHW circulation pump
- Ⓓ Central fault message  
Rated voltage: 230 V~  
Rated current: max. 2 (1) A~

Connect the KM BUS of the external variable speed heating circuit pump to terminals X3.6 and X3.7 (connection 145) of the boiler control unit.

Allocating functions via coding address 53:

- 53 : 0 Central fault message
- 53 : 1 DHW circulation pump
- 53 : 2 External heating circuit pump
- 53 : 3 Cylinder loading pump

### 96 Connections on plug 96

- Remove plug 96 from the main control unit PCB. Connect any connections on plug 96 of the extension, and insert plug 96 on the main control unit PCB.
- Ⓔ Vitotrol 100 UTA
  - Ⓕ Vitotrol 100 UTD

### 157 Connections on plug 157

- Ⓖ Interlocking external exhaust fans  
Rated voltage: 230 V~  
Rated current: max. 6 (3) A~

## Connecting the internal extension to the control unit

Plug the 7-pole connecting cable into socket X12 on the main control unit PCB (see fig. on page 3).

Viessmann Werke GmbH & Co  
D-35107 Allendorf  
Tel: +49 6452 70-0  
Fax: +49 6452 70-27 80  
www.viessmann.de

Viessmann Limited  
Hortonwood 30, Telford  
Shropshire, TF1 7YP, GB  
Tel: +44 1952 675000  
Fax: +44 1952 675040  
E-mail: info-uk@viessmann.com