

# Installation and service instructions

for contractors

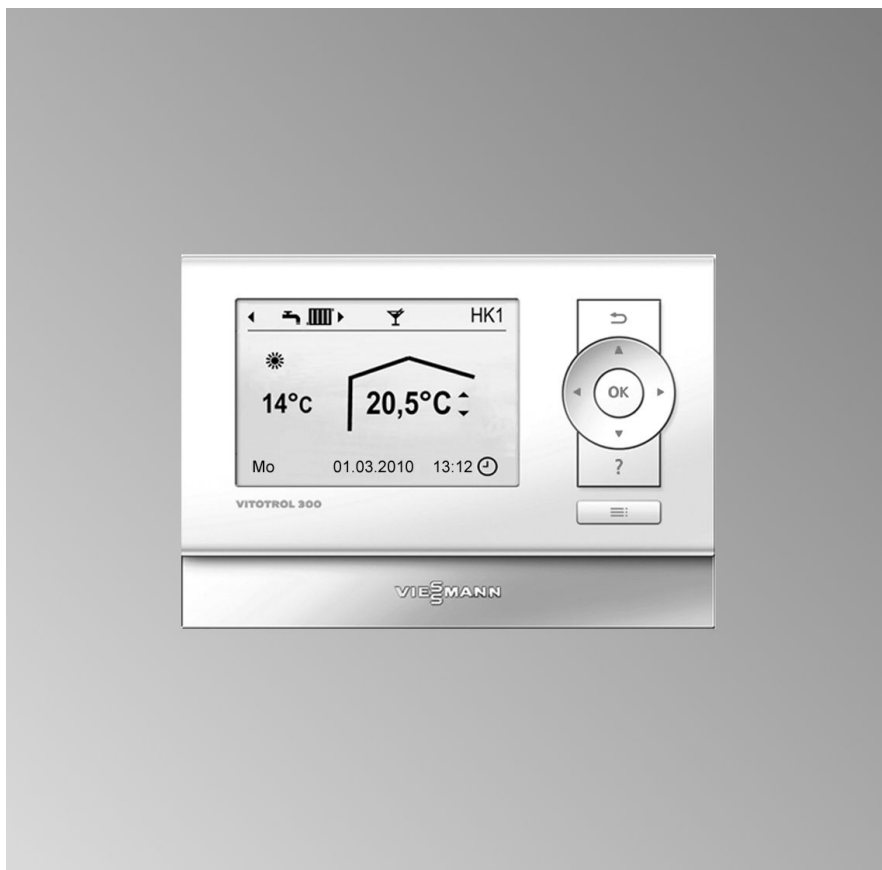
# VIESSMANN

## Vitotrol 300A

Remote control, part no. 7438 364



## VITOTROL 300A



## Safety instructions



Please follow these safety instructions closely to prevent accidents and material losses.

### Safety instructions explained



#### **Danger**

This symbol warns against the risk of injury.



#### **Please note**

This symbol warns against the risk of material losses and environmental pollution.

### **Note**

*Details identified by the word "Note" contain additional information.*

### **Target group**

These instructions are exclusively designed for qualified personnel.

- Work on gas equipment must only be carried out by a qualified gas fitter.
- Work on electrical equipment must only be carried out by a qualified electrician.
- The system must be commissioned by the system installer or a qualified person authorised by the installer.

### **Regulations**

Observe the following when working on this system

- all legal instructions regarding the prevention of accidents,
- all legal instructions regarding environmental protection,
- the Code of Practice of relevant trade associations,

- all current safety regulations as defined by DIN, EN, DVGW, TRGI, TRF, VDE and all locally applicable standards,
- Gas Safety (Installation & Use) Regulations
  - the appropriate Building Regulation either the Building regulations, the Building Regulation (Scotland), Building Regulations (Northern Ireland),
  - the Water Fittings Regulation or Water Bylaws in Scotland,
  - the current I.E.E. Wiring Regulations.

### **If you smell gas**



#### **Danger**

Escaping gas can lead to explosions which may result in serious injury.

- Never smoke. Prevent naked flames and sparks. Never switch lights or electrical appliances ON or OFF.
- Close the gas shut-off valve.
- Open windows and doors.
- Remove all people from the danger zone.
- Notify your gas or electricity supplier from outside the building.
- Shut off the electricity supply to the building from a safe place (outside the building).

## Safety instructions (cont.)

### If you smell flue gas



#### **Danger**

Flue gas can lead to life-threatening poisoning.

- Shut down the heating system.
- Ventilate the boiler room.
- Close all doors leading to the living space.

### Working on the system

- When using gas as fuel, also close the main gas shut-off valve and safeguard against unauthorised reopening.
- Isolate the system from the power supply and check that it is no longer 'live', e.g. by removing a separate fuse or by means of a main isolator.
- Safeguard the system against unauthorised reconnection.



#### **Please note**

Electronic modules can be damaged by electro-static discharges.

Touch earthed objects, such as heating or water pipes, to discharge static loads.

### Repair work



#### **Please note**

Repairing components which fulfil a safety function can compromise the safe operation of your heating system.

Replace faulty components only with original Viessmann spare parts.

### Ancillary components, spare and wearing parts



#### **Please note**

Spare and wearing parts which have not been tested together with the heating system can compromise its function. Installing non-authorised components and non-approved modifications/conversion can compromise safety and may invalidate our warranty. For replacements, use only original spare parts from Viessmann or those which are approved by Viessmann.

## Index

### Installation instructions

#### Installation sequence

Installation location.....	5
Installing and connecting the Vitotrol 300A.....	6
Connecting several remote control units.....	7
Fitting the programming unit.....	9
Removing the programming unit (if required).....	10

### Service instructions

#### Commissioning

Configuring the remote control.....	11
-------------------------------------	----

<b>Specification</b> .....	12
----------------------------	----

<b>Parts list</b> .....	13
-------------------------	----

## Installation location

- **Weather-compensated mode**  
Installation in any room.
- **Operation with room temperature-dependent control**
  - On an internal wall in the living space, at a height of approx. 1.5 m from the floor
  - Not near windows and doors
  - Not above radiators
  - Not near heat sources (direct sunlight, fireplace, TV set etc.)

Do not install further controllers in this room. Open any thermostatic radiator valves fully.

**Note**

*If the remote control cannot be installed in a suitable location, connect the room temperature sensor, part no. 7438 537, available as an accessory.*

## Installation sequence

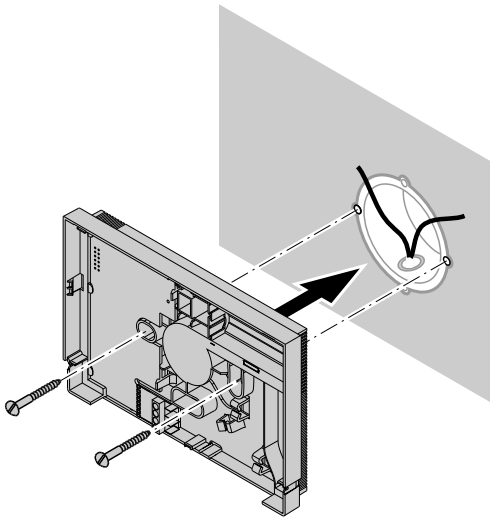
### Installing and connecting the Vitotrol 300A



#### **Please note**

Electronic modules can be damaged by electrostatic discharges.

Before beginning work, touch earthed objects, such as heating or water pipes, to discharge static loads.



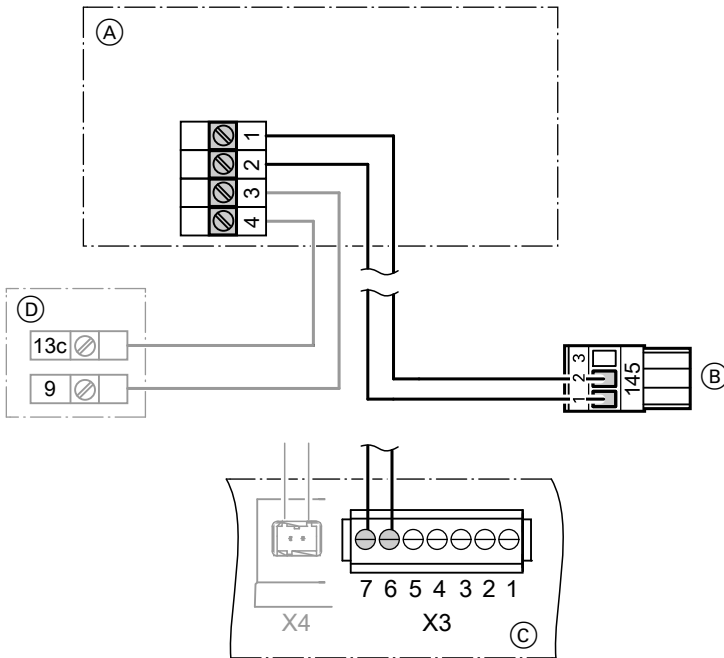
#### **Connection**

Two-core cable with a cross-section of at least 0.75 mm<sup>2</sup>; cores may be interchanged.  
Cable length up to 50 m.

#### **Note**

*Never route the cable to the remote control immediately next to 230/400 V cables.*

## Installing and connecting the Vitotrol 300A (cont.)



- (A) Vitotrol 300A
- (B) 2 or 3-pole plug 145 (to the control unit or the KM BUS distributor)
- (C) Weather-compensated control unit with terminals X3
- (D) Separate room temperature sensor (accessory)

## Connecting several remote control units

Up to 2 remote control units can be connected to a boiler control unit, incl. a Vitotrol 200A **and** a Vitotrol 300A.

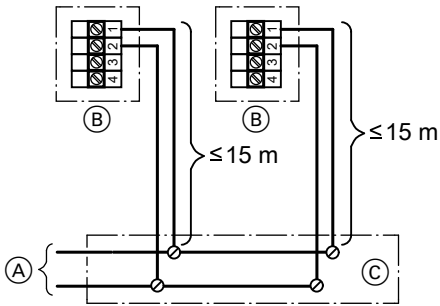


Vitotrol 200A installation instructions

## Installation sequence

### Connecting several remote control units (cont.)

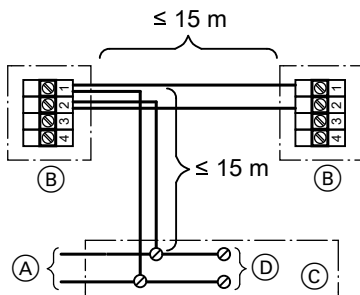
#### Version 1



- (A) To the control unit or to the KM BUS distributor (see connection diagram on page 7)
- (B) Vitotrol
- (C) Socket (on site)

- On-site connection via socket: Connect in accordance with the diagram
- Limit the total length of all KM BUS cables to 50 m.

#### Version 2



- (A) To the control unit or to the KM BUS distributor (see connection diagram on page 7)
- (B) Vitotrol
- (C) Socket (on site)
- (D) Further BUS subscribers

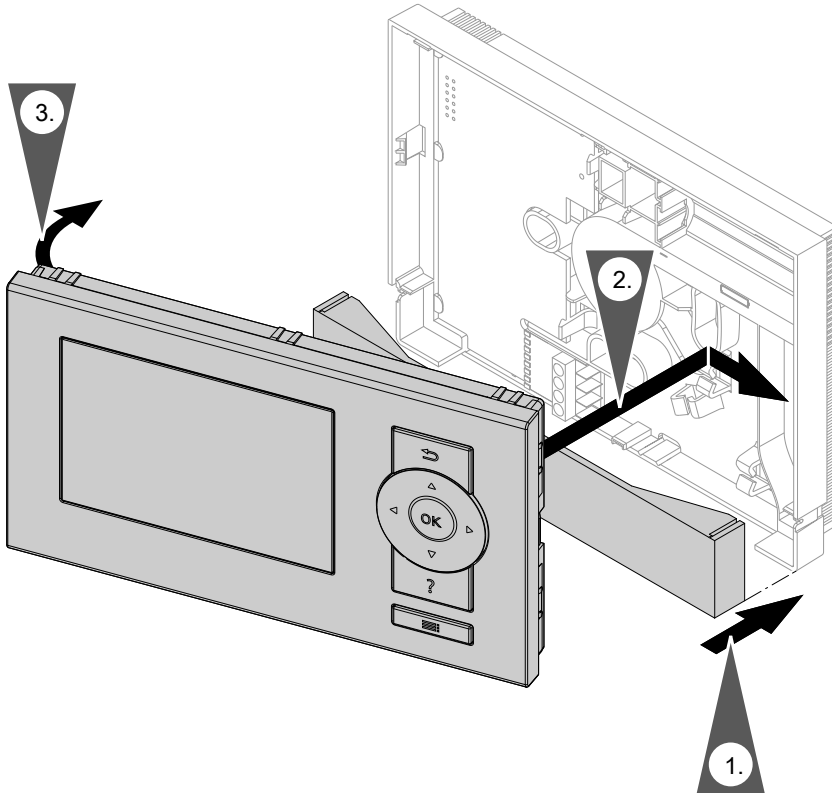
- If several remote control units and additional KM BUS users are connected, make the connections via an on-site socket as shown in the diagram.
- Limit the total length of all KM BUS cables to 50 m.



## Fitting the programming unit

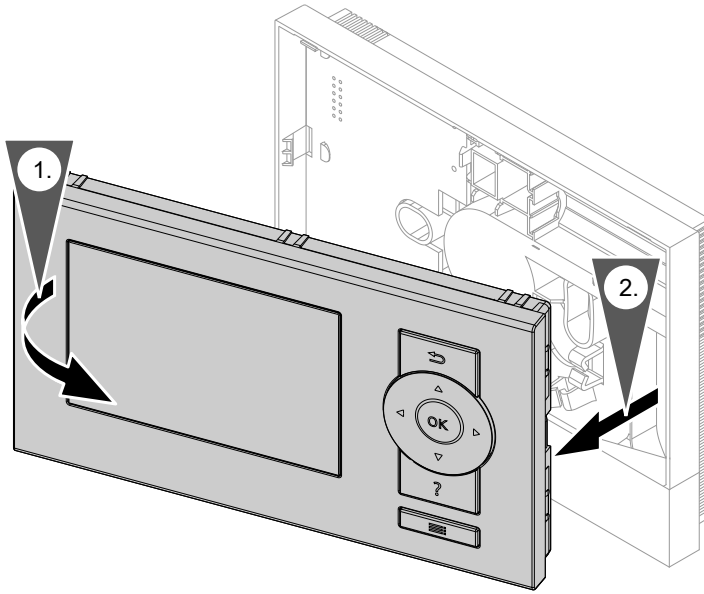
**!** **Please note**  
The remote control is supplied with power by the control unit.

Do **not** insert batteries into the battery compartment.



Installation sequence

**Removing the programming unit (if required)**



## Configuring the remote control

Up to 3 heating circuits can be operated with one Vitotrol 300A; alternatively one Vitotrol 300A can be employed for each heating circuit in a single heating system.

Up to 2 remote controls may be connected to the boiler control unit.

1. Switch ON the power supply on the control unit.  
The operating state of the heating system is transferred. A running bar appears in the display.
2. With ▲/▼ select the language.
3. **OK** as confirmation.
4. With ▲/▼ select the heating circuits and (if installed) the room temperature sensor to be controlled.
5. With ▲/▼ select "**Save with OK**".
6. **OK** as confirmation.
7. With ▲/▼ select "**Save Yes**".

8. **OK** as confirmation.

The operating state of the heating system is transferred. A running bar appears in the display. This process may take several minutes.

### Note

*Whilst the bar is shown, pressing ? can display the configured heating circuits.*

Configuration has completed when the bar disappears.

### Note

*To return to configuration, press ↵ and ? simultaneously for approx. 4 s.*

*If the heating circuit allocation is later cancelled, reset coding address A0 for this heating circuit to 0 (fault message bC, bd, bE).*

## Specification

### Specification

#### Power supply via KM BUS

Power consumption	0.5 W
Protection class	III
IP rating	IP 30 to EN 60529; ensure through appropriate design and installation

#### Permissible ambient temperature

- during operation 0 to +40 °C
- during storage and transport -20 to +65 °C

#### Set room temperature

range 3 to 37 °C

## Parts list

### **When ordering spare parts**

Quote part no. **7438 364** and the pos. no. of the part (as per this parts list).

Obtain standard parts from your local supplier.

### Parts not shown

080 Installation and service instructions

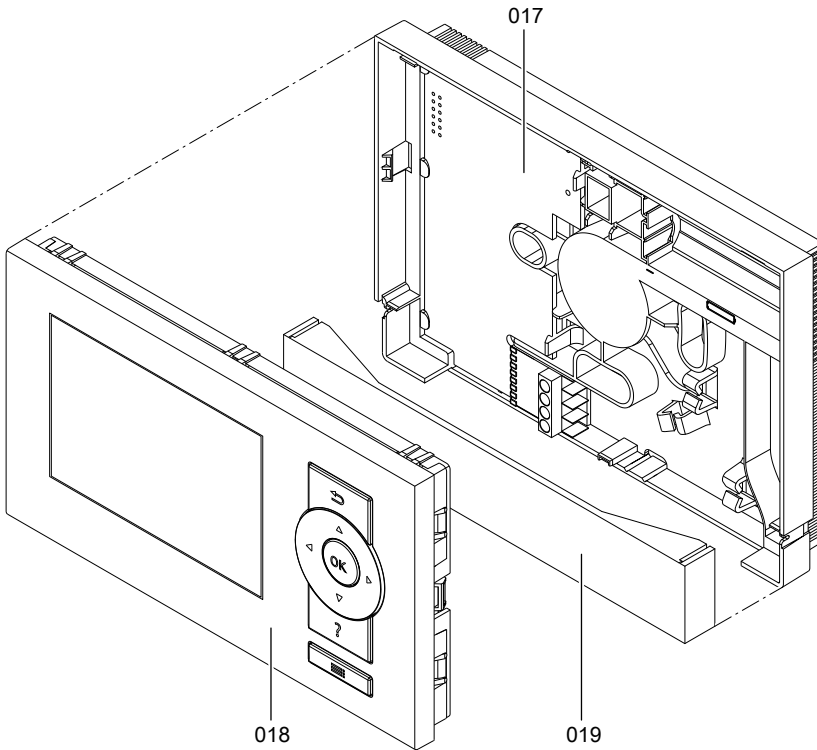
081 Operating instructions

### Parts

017 Wall mounting base

018 Programming unit

019 Cover, wiring chamber







Viessmann Werke GmbH&Co KG  
D-35107 Allendorf  
Telephone: +49 6452 70-0  
Fax: +49 6452 70-2780  
[www.viessmann.com](http://www.viessmann.com)

Viessmann Limited  
Hortonwood 30, Telford  
Shropshire, TF1 7YP, GB  
Telephone: +44 1952 675000  
Fax: +44 1952 675040  
E-mail: [info-uk@viessmann.com](mailto:info-uk@viessmann.com)

5458 093 GB Subject to technical modifications.



Printed on environmentally friendly,  
chlorine-free bleached paper