

# Installation and service instructions for contractors

**VIESSMANN**

## **781Vitodens 200-W**

**Type B2HA**, 120 and 150 kW

Wall mounted gas condensing boiler

Natural gas and LPG version

*For applicability, see the last page*




## **781VITODENS 200-W**





## Safety instructions

### Safety instructions

 Please follow these safety instructions closely to prevent accidents and material losses.

#### Safety instructions explained

 **Danger**  
This symbol warns against the risk of injury.

 **Please note**  
This symbol warns against the risk of material losses and environmental pollution.

#### Note

*Details identified by the word "Note" contain additional information.*

#### Target group

These instructions are exclusively intended for qualified contractors.

- Work on gas installations must only be carried out by a registered gas fitter.
- Work on electrical equipment must only be carried out by a qualified electrician.
- The system must be commissioned by the system installer or a qualified person authorised by the installer.


#### Regulations to be observed

- National installation regulations
- Statutory regulations for the prevention of accidents
- Statutory regulations for environmental protection
- Codes of practice of the relevant trade associations
- All current safety regulations as defined by DIN, EN, DVGW, TRGI, TRF, VDE and all locally applicable standards
  - Ⓐ ÖNORM, EN, ÖVGW-TR Gas, ÖVGW-TRF and ÖVE
  - Ⓞ SEV, SUVA, SVGW, SVTI, SWKI, VKF and EKAS guideline 1942: LPG, part 2


#### Safety instructions for working on the system

##### Working on the system


- Where gas is used as the fuel, close the main gas shut-off valve and safeguard it against unintentional reopening.
- Isolate the system from the power supply, e.g. by removing the separate fuse or by means of a mains isolator, and check that it is no longer 'live'.
- Safeguard the system against reconnection.

 **Danger**  
Hot surfaces can cause burns.


- Before maintenance and service work, switch OFF the appliance and let it cool down.
- Never touch hot surfaces on the boiler, burner, flue system or pipework.

 **Please note**  
Electronic assemblies can be damaged by electrostatic discharge.  
Prior to commencing work, touch earthed objects such as heating or water pipes to discharge static loads.

#### Repair work


 **Please note**  
Repairing components that fulfil a safety function can compromise the safe operation of the system.  
Replace faulty components only with genuine Viessmann spare parts.

#### Auxiliary components, spare and wearing parts

 **Please note**  
Spare and wearing parts that have not been tested together with the system can compromise its function. Installing non-authorised components and making non-approved modifications or conversions can compromise safety and may invalidate our warranty.  
For replacements, use only original spare parts supplied or approved by Viessmann.


#### Safety instructions for operating the system

##### If you smell gas

 **Danger**  
Escaping gas can lead to explosions which may result in serious injury.

- Do not smoke. Prevent naked flames and sparks. Never switch lights or electrical appliances on or off.
- Close the gas shut-off valve.
- Open windows and doors.
- Evacuate any people from the danger zone.
- Notify your gas or electricity supply utility from outside the building.
- Have the power supply to the building shut off from a safe place (outside the building).

##### If you smell flue gas

 **Danger**  
Flue gas can lead to life threatening poisoning.

- Shut down the heating system.
- Ventilate the installation site.
- Close doors to living spaces to prevent flue gases from spreading.

**Safety instructions** (cont.)**What to do if water escapes from the appliance****Danger**

When water escapes from the appliance there is a risk of electrocution.

Switch off the heating system at the external isolator (e.g. fuse box, domestic power distribution).

**Flue systems and combustion air**

Ensure that flue systems are clear and cannot be sealed, for instance due to accumulation of condensate or other causes. Ensure an adequate supply of combustion air.

Instruct system users that subsequent modifications to the building characteristics are not permissible (e.g. cable/pipework routing, cladding or partitions).

**Danger**

Leaking or blocked flue systems, or an inadequate supply of combustion air can cause life threatening poisoning from carbon monoxide in the flue gas.

Ensure the flue system is in good working order. Vents for supplying combustion air must be non-closable.

**Extractors**

Operating appliances that extract air to the outside (cooker hoods, extractors, air conditioning units, etc.) can create negative pressure. If the boiler is operated at the same time, this can lead to reverse flow of the flue gas.

**Danger**

The simultaneous operation of the boiler and appliances that extract air to the outside can result in life threatening poisoning due to reverse flow of the flue gas.

Fit an interlock circuit or take suitable steps to ensure an adequate supply of combustion air.

<b>1. Information</b>	Disposal of packaging .....	6
	Symbols .....	6
	Intended use .....	7
	Product information .....	7
	■ Vitodens 200-W, type B2HA .....	7
<b>2. Preparing for installation</b>	.....	8
<b>3. Installation sequence</b>	Mounting the boiler and making connections .....	10
	■ Removing boiler from packaging and levelling .....	10
	■ Fitting the wall mounting bracket .....	11
	■ Hooking the boiler onto the wall mounting bracket and levelling it .....	13
	Heating water connection .....	13
	Flue gas connection .....	14
	Condensate connection .....	15
	Gas connection .....	15
	Opening the control unit enclosure .....	15
	Electrical connections .....	17
	■ Circulation pump at plug <span style="border: 1px solid black; padding: 0 2px;">20</span> .....	18
	■ Circulation pump at plug <span style="border: 1px solid black; padding: 0 2px;">21</span> .....	20
	■ External demand via switching contact .....	20
	■ External demand via 0 – 10 V input .....	21
	■ External blocking via switching contact .....	21
	■ Outside temperature sensor <span style="border: 1px solid black; padding: 0 2px;">1</span> .....	22
	■ Power supply for accessories at plug <span style="border: 1px solid black; padding: 0 2px;">96</span> .....	22
	■ Power supply <span style="border: 1px solid black; padding: 0 2px;">40</span> .....	23
	■ Routing the connecting cables and leads .....	24
	Closing the control unit enclosure and inserting the programming unit .....	25
<b>4. Commissioning, inspection, maintenance</b>	Steps - commissioning, inspection and maintenance .....	26
<b>5. Code 1</b>	Calling up coding level 1 .....	46
	General/group "1" .....	46
	Boiler/group "2" .....	48
	DHW/group "3" .....	49
	Solar/group "4" .....	49
	Heating circuit 1, heating circuit 2, heating circuit 3/group "5" .....	50
<b>6. Code 2</b>	Calling up coding level 2 .....	55
	General/group "1" .....	55
	Boiler/group "2" .....	60
	DHW/group "3" .....	62
	Solar/group "4" .....	63
	Heating circuit 1, heating circuit 2, heating circuit 3/group "5" .....	65
<b>7. Diagnosis and service scans</b>	Service level .....	71
	Diagnosis .....	72
	■ Operating data .....	72
	■ Brief scan .....	72
	Checking outputs (relay test) .....	75
	■ Weather-compensated control unit .....	75
	■ Constant temperature control unit .....	76
<b>8. Troubleshooting</b>	Fault display .....	77
	■ Weather-compensated control unit .....	77
	■ Constant temperature control unit .....	77
	Fault codes .....	78

	Maintenance .....	86
	■ Checking the outside temperature sensor (weather-compensated control unit) .....	86
	■ Checking the boiler water temperature sensors, cylinder temperature sensor or flow temperature sensor for the low loss header .....	87
	■ Replacing the flow sensor .....	88
	■ Checking the flue gas temperature sensor .....	89
	■ Check the fuse .....	90
	■ Mixer extension kit .....	90
	■ Checking the Vitotronic 200-H (accessories) .....	91
<b>9. Parts lists</b>	Overview of assemblies .....	92
	Casing assembly .....	96
	Heat cell assembly .....	98
	Burner assembly .....	100
	Hydraulic assembly .....	102
	Control unit assembly .....	104
	Miscellaneous assembly .....	106
<b>10. Function description</b>	Constant temperature control unit .....	108
	■ Heating mode .....	108
	■ DHW heating .....	108
	Weather-compensated control unit .....	108
	■ Heating mode .....	109
	■ DHW heating .....	109
	■ Boosting DHW heating .....	109
	Internal extensions (accessories) .....	110
	■ Internal H1 extension .....	110
	■ Internal H2 extension .....	111
	External extensions (accessories) .....	112
	■ AM1 extension .....	112
	■ EA1 extension .....	113
	Control functions .....	114
	■ External operating program changeover .....	114
	■ External blocking .....	115
	■ External demand .....	115
	■ Venting program .....	116
	■ Screed drying .....	116
	■ Raising the reduced room temperature .....	118
	■ Reducing the heat-up time .....	118
	Assigning heating circuits to the remote control .....	119
	Electronic combustion control unit .....	120
<b>11. Connection and wiring diagram</b>	Connection and wiring diagram – Internal connections .....	121
	Connection and wiring diagram – External connections .....	122
<b>12. Commissioning/service reports</b>	.....	123
<b>13. Specification</b>	.....	124
<b>14. Certificates</b>	Declaration of conformity .....	125
	■ Declaration of Conformity for the Vitodens 200-W .....	125
	Manufacturer's certificate according to the 1st BImSchV [Germany] ....	125
<b>15. Keyword index</b>	.....	126

## Disposal of packaging










Please dispose of packaging waste in line with statutory regulations.

**DE:** Use the disposal system organised by Viessmann.



**AT:** Use the ARA statutory disposal system (Altstoff Recycling Austria AG, licence number 5766).





**CH:** Packaging waste is disposed of by the HVAC contractor.

## Symbols

Symbol	Meaning
	Reference to other document containing further information
	Step in a diagram: The numbers correspond to the order in which the steps are carried out.
	Warning of material losses and environmental pollution
	Live electrical area
	Pay particular attention.
	<ul style="list-style-type: none"> <li>▪ Component must audibly click into place.</li> <li>or</li> <li>▪ Acoustic signal</li> </ul>
	<ul style="list-style-type: none"> <li>▪ Fit new component.</li> <li>or</li> <li>▪ In conjunction with a tool: Clean the surface.</li> </ul>
	Dispose of component correctly.
	Dispose of component at a suitable collection point. Do <b>not</b> dispose of component in domestic waste.

The steps in connection with commissioning, inspection and maintenance are found in the "Commissioning, inspection and maintenance" section and identified as follows:

Symbol	Meaning
	Steps required during commissioning
	Not required during commissioning

Symbol	Meaning
	Steps required during inspection
	Not required during inspection
	Steps required during maintenance
	Not required during maintenance

## Intended use

The appliance is intended solely for installation and operation in sealed unvented heating systems that comply with EN 12828, with due attention paid to the associated installation, service and operating instructions. It is only designed for heating up heating water that is of potable water quality.

Intended use presupposes that a fixed installation in conjunction with permissible, system-specific components has been carried out.

Commercial or industrial usage for a purpose other than heating the building or DHW shall be deemed inappropriate.

Any usage beyond this must be approved by the manufacturer in each individual case.

Incorrect usage or operation of the appliance (e.g. the appliance being opened by the system user) is prohibited and will result in an exclusion of liability. Incorrect usage also occurs if the components in the heating system are modified from their intended use (e.g. if the flue gas and ventilation air paths are sealed).

## Product information

### Vitodens 200-W, type B2HA

Preset for operation with natural gas E and natural gas LL.

For conversion to LPG P (without conversion kit), see "Commissioning, inspection and maintenance".

In principle the **Vitodens 200-W** may only be delivered to countries listed on the type plate. For deliveries to alternative countries, an approved contractor must arrange individual approval on their own initiative and in accordance with the law of the country in question.

### Multi boiler system

For the installation of a multi boiler system, observe the installation instructions for the multi boiler system accessories.

## Preparing for installation

### Dimensions and connections

- ! Please note**  
To prevent appliance damage, connect all pipework free of load and torque stress.

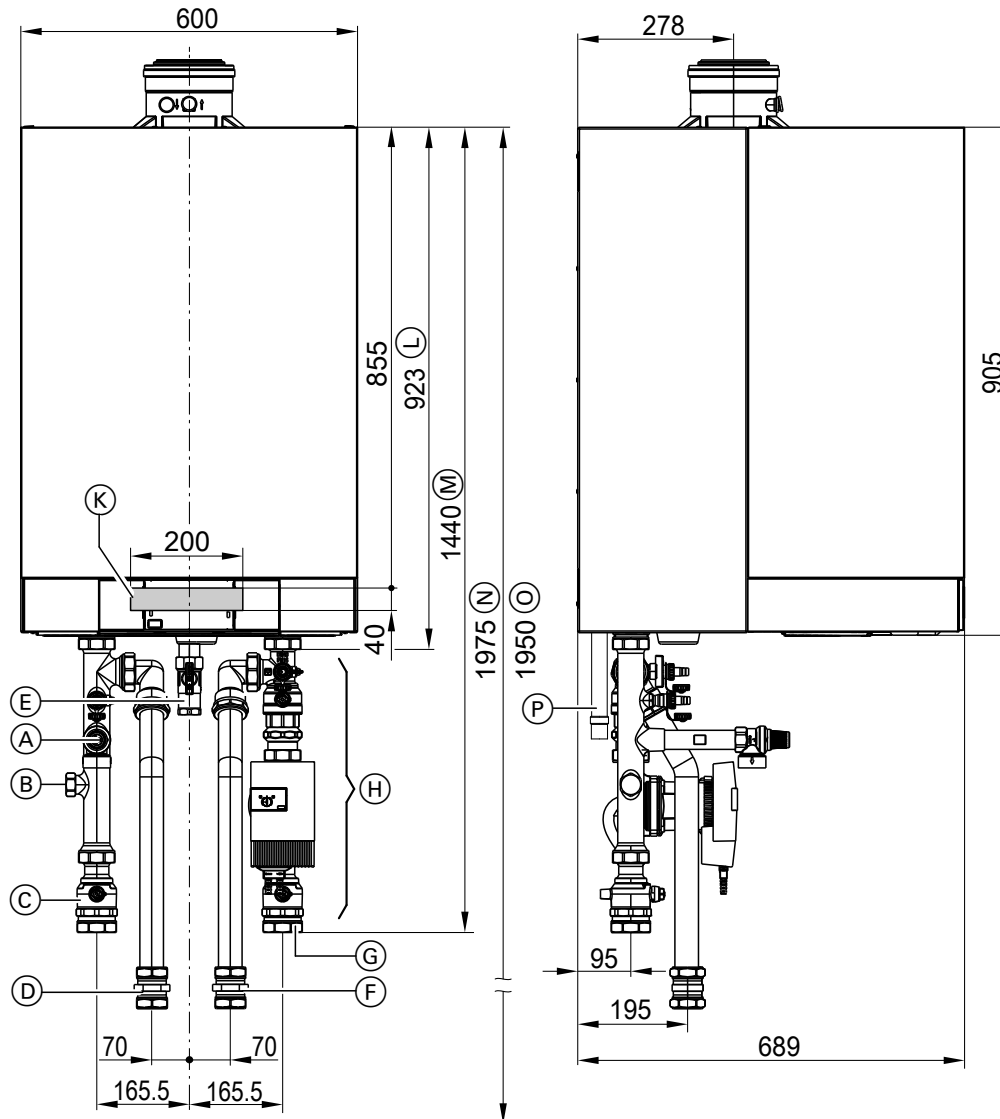


Fig. 1

- |  |  |
|--|--|
| (A) Safety valve   | (K) Cable entry area at the back   |
| (B) Expansion vessel connection G1   | (L) Without connection set (accessories)   |
| (C) Boiler flow $\varnothing$ 54 mm  | (M) With connection set (accessories)  |
| (D) Cylinder flow $\varnothing$ 42 mm  | (N) Recommended dimension (single boiler system without mounting frame)                      |
| (E) Gas connection R 1   | (O) Recommended dimension (multi boiler system and single boiler system with mounting frame) |
| (F) Cylinder return $\varnothing$ 42 mm  | (P) Condensate drain   |
| (G) Boiler return $\varnothing$ 54 mm  |  |
| (H) Connection sets (accessories, shown without the thermal insulation supplied) |  |



**Preparing for installation** (cont.)**Preparing for boiler installation****Note**

*This boiler (IP rating: IP X4 D) is approved for installation in wet rooms inside safety zone 1, to DIN VDE 0100, providing hoses water is prevented. Observe DIN VDE 0100.*

1. Prepare the water connections. Thoroughly flush the heating system.
2. Prepare gas connection to TRGI [or local regulations].
3. Prepare the electrical connections.
  - Power cable: Flexible cable 3 x 1.5 mm<sup>2</sup>. Leave the earth conductor (PE) longer than the 'live' conductors L1 and N. Max. fuse rating 16 A, 230 V~.
  - Accessory cables: 0.75 mm<sup>2</sup> flexible PVC cable, each with the required number of cores for external connections.
  - Allow all cables in area "Ⓚ" to protrude 1400 mm from the wall.

Removing boiler from packaging and levelling

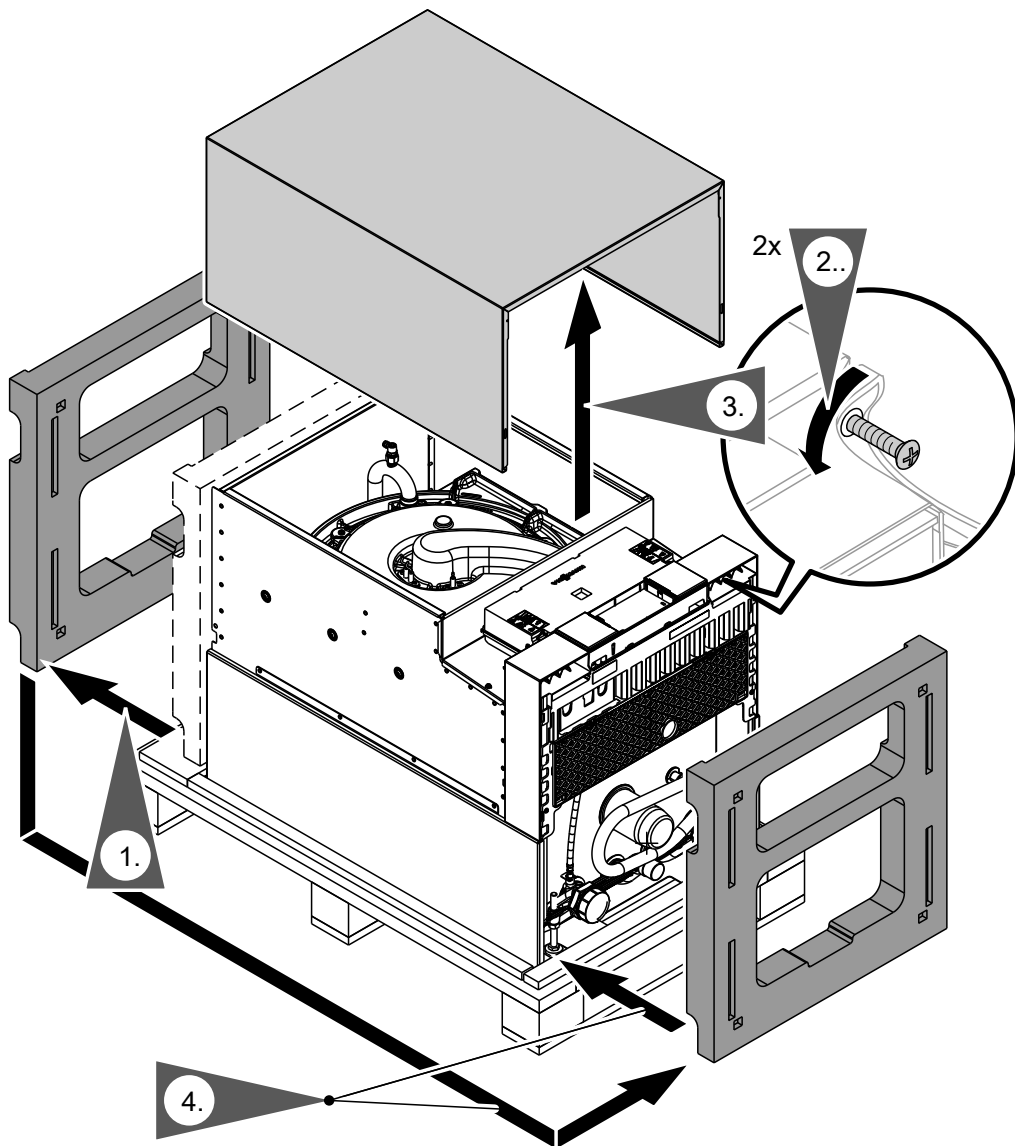


Fig. 2

1. Remove packing cushions and keep them safe. They are used as a support during levelling.

2. Undo two screws on the underside.

3. Remove front panel.

4. Push packing cushions onto the underside of the boiler.

## Mounting the boiler and making connections (cont.)

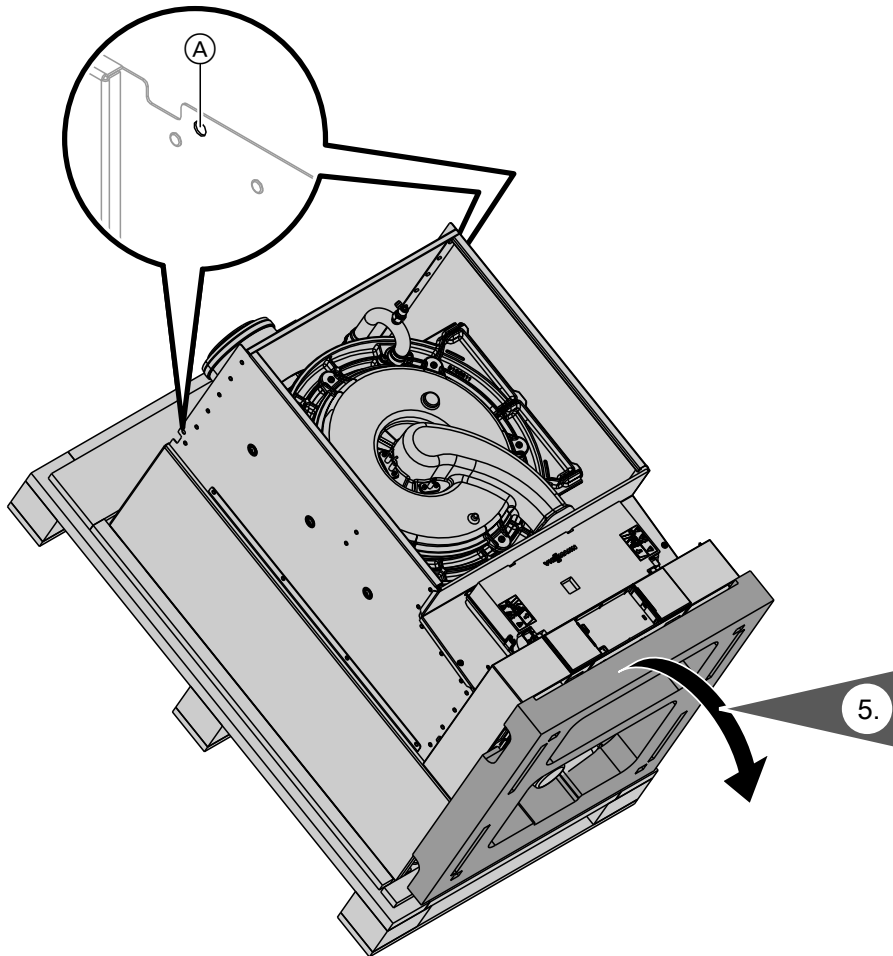


Fig. 3

(A)  $\varnothing$  9 mm drilled holes for attaching lifting gear

5. **!** **Please note**  
To prevent damage,  
do not level boiler without packing cushions.

Level boiler with pallet.

### Fitting the wall mounting bracket

**Note**

The enclosed screws and rawl plugs are only suitable for concrete. For other construction materials, use fixing materials that are suitable for 145 kg loads.

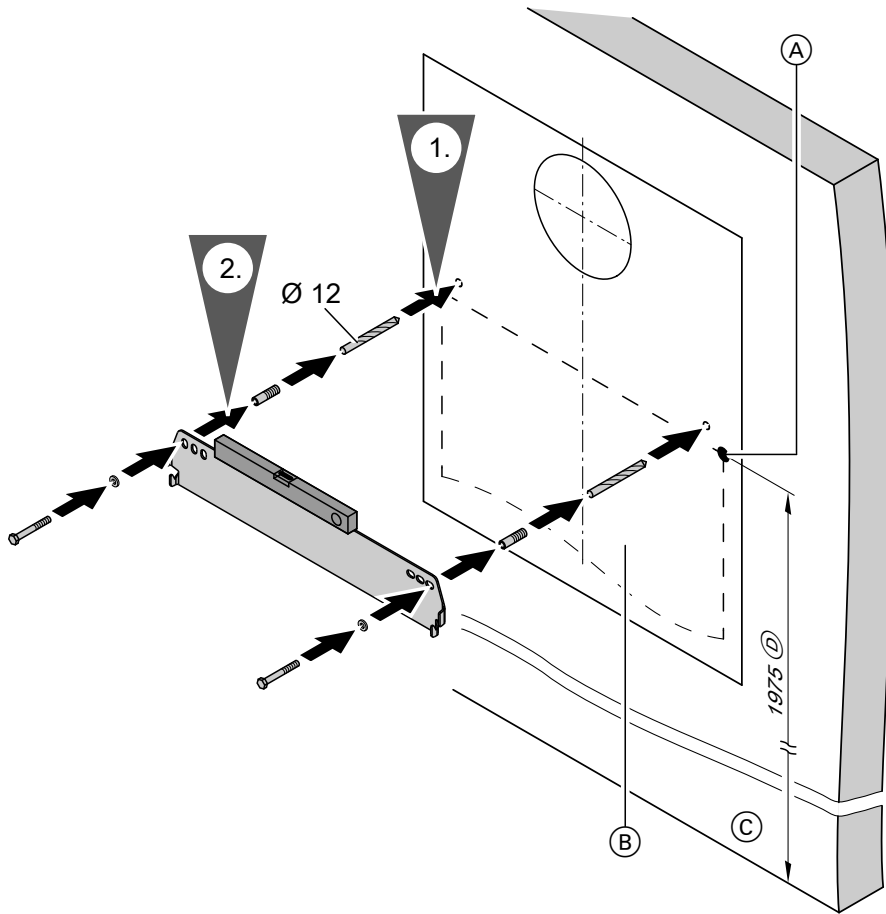


Fig. 4

- Ⓐ Reference point boiler top edge
- Ⓑ Installation template (included with the boiler)
- Ⓒ Top edge finished floor
- Ⓓ Recommendation

**Mounting the boiler and making connections (cont.)**

**Hooking the boiler onto the wall mounting bracket and levelling it**

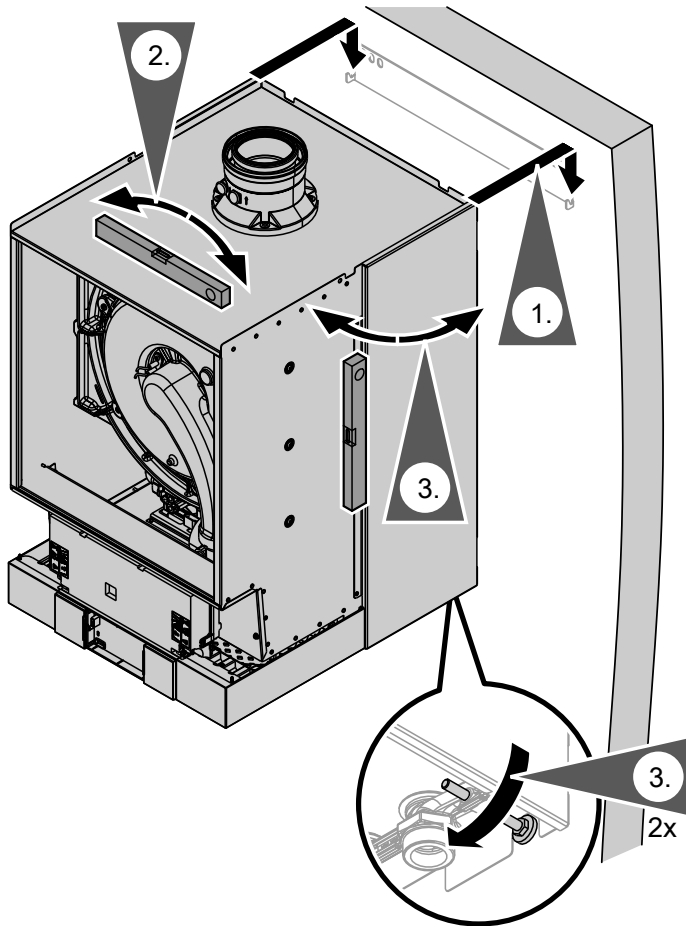


Fig. 5

**Heating water connection**

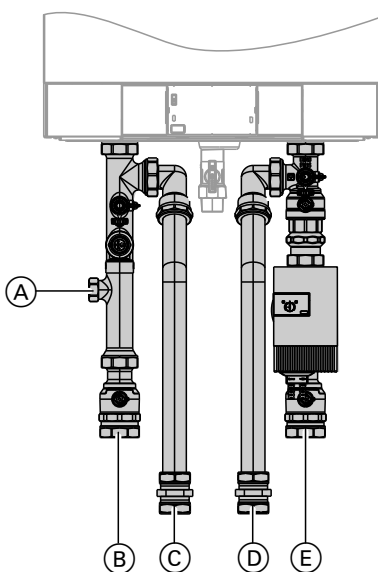


Fig. 6

- (A) Expansion vessel connection
- (B) Boiler flow

- (C) Cylinder flow

## Installation sequence

### Heating water connection (cont.)

- Ⓓ Cylinder return
- Ⓔ Boiler return

#### Note

Residual water may escape when undoing the locking caps.

### Flue gas connection

#### Note

The labels "System certificate" and "Skoberne GmbH flue system" enclosed with the technical documentation may only be used in conjunction with the Viessmann flue system made by Skoberne.

Do not carry out **commissioning** until the following conditions are met:

- Free passage through the flue gas pipes.
- Flue system with positive pressure is gas-tight.
- Apertures for ensuring sufficient combustion air supply are open and cannot be closed off.
- Applicable regulations on installing and commissioning flue systems have been followed.

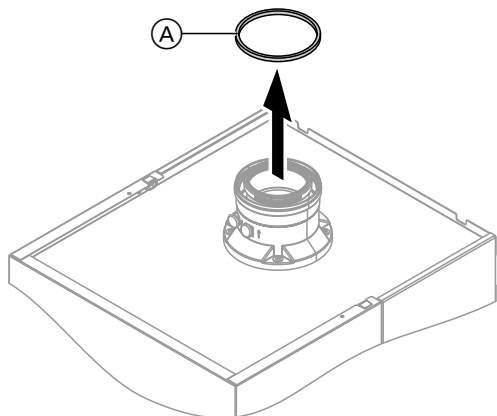


Fig. 7



Flue system installation instructions.



#### Danger

Leaking or blocked flue systems or an insufficient supply of combustion air cause life threatening poisoning due to carbon monoxide in the flue gas.

Ensure the flue system functions correctly. Apertures for combustion air supply must not be able to be closed off.

1. Only for **open** flue operation:  
Remove outer gasket Ⓐ (ventilation air).
2. Connect flue pipe or balanced flue pipe.

## Condensate connection

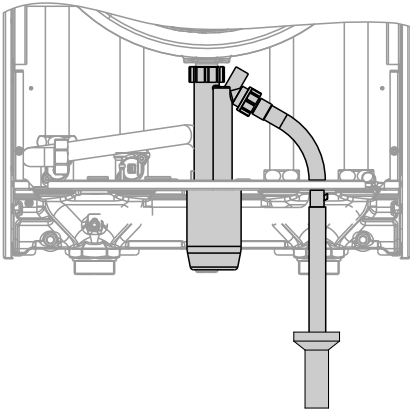


Fig. 8

Connect the condensate hose with a constant fall and a pipe vent to the public sewage system or to a neutralising system.

## Gas connection

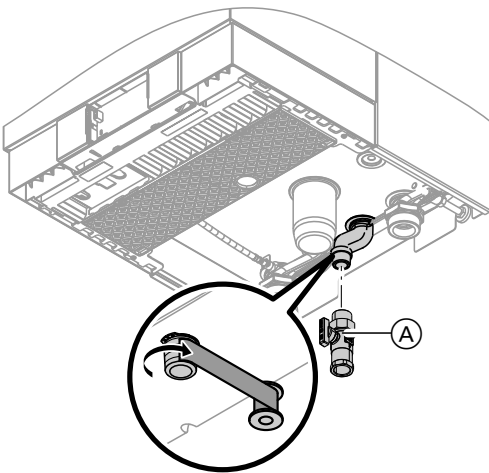


Fig. 9

### Notes regarding operation with LPG

When installing the boiler in rooms below ground level we recommend fitting an external safety solenoid valve.

1. Seal gas shut-off valve (A) into the gas supply pipe.

2. Carry out a tightness test.

#### Note

Only use suitable and approved leak detection agents (EN 14291) and devices for the tightness test. Leak detection agents with unsuitable constituents (e.g. nitrides, sulphides) can cause material damage.

Remove leak detection agent residues after testing.



#### Please note

Excessive test pressure may damage the boiler and the gas valve.

Max. test pressure 150 mbar. Where higher pressure is required for tightness tests, disconnect the boiler and the gas valves from the gas supply pipe (undo the fitting).

3. Purge the gas line.



Conversion to alternative gas types:  
Service instructions

## Opening the control unit enclosure



#### Please note

Electronic assemblies can be damaged by electrostatic discharge.

Before beginning work, touch earthed objects, such as heating or water pipes, to discharge static loads.

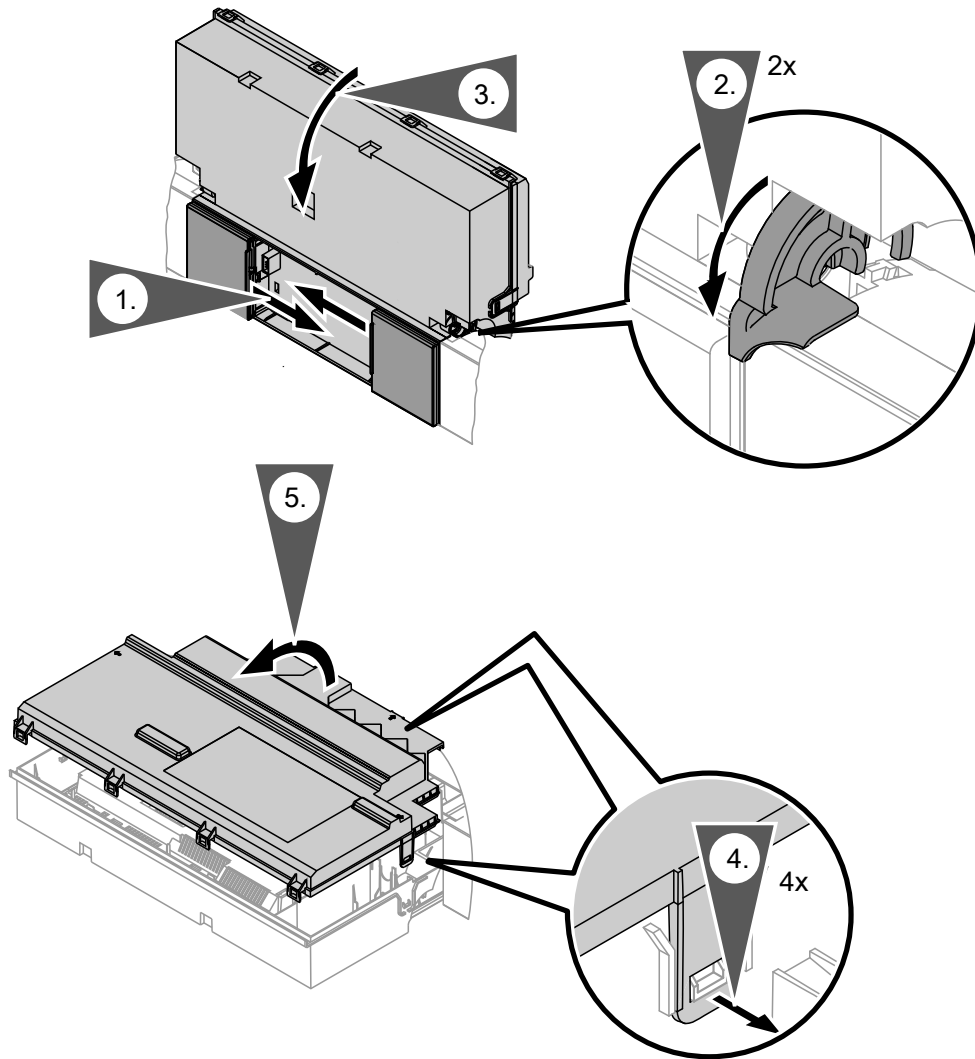


Fig. 10



Electrical connections

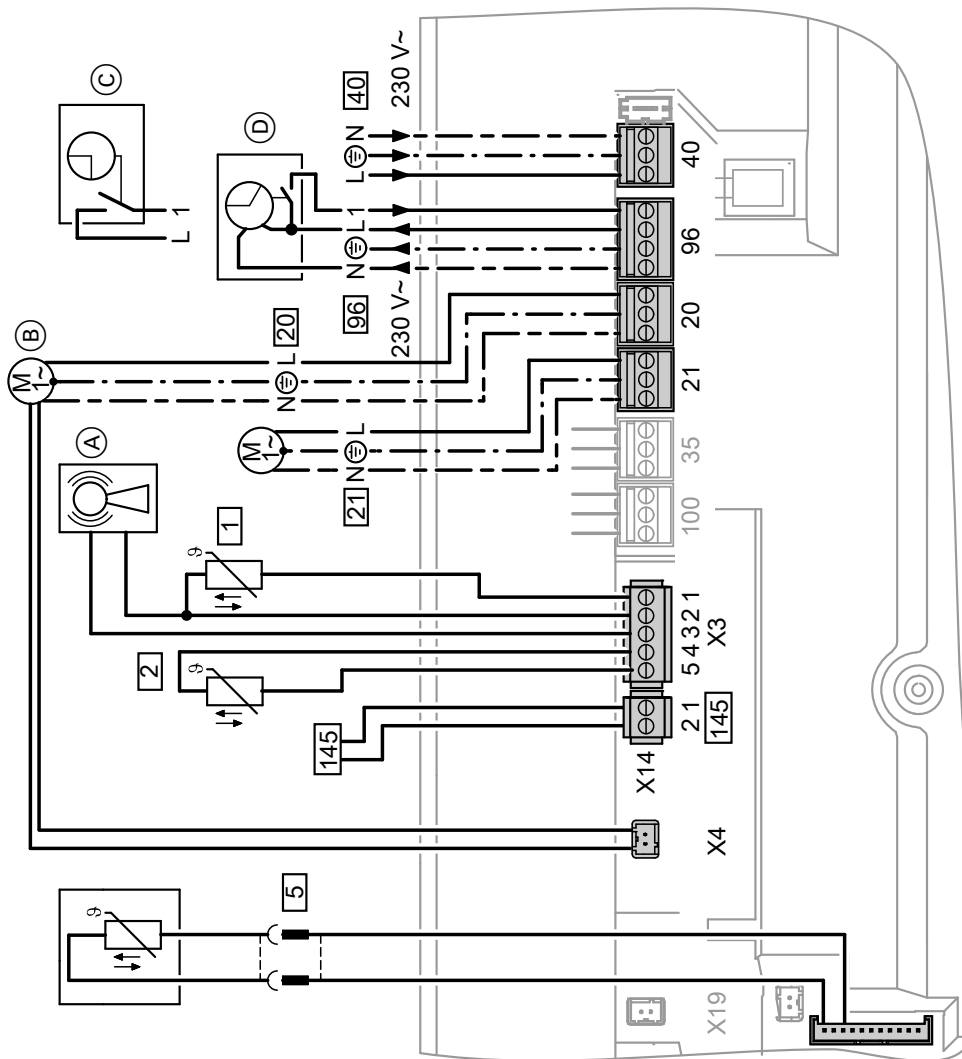


Fig. 11

- (A) Radio clock receiver
- (B) Heating circuit pump or boiler circuit pump
- (C) Vitotrol 100 UTDB (only for constant temperature control units)  
When making this connection, remove jumper between "1" and "L".
- (D) Vitotrol 100 UTA (only for constant temperature control units)  
or  
Vitotrol 100 UTDB-RF wireless receiver  
When making this connection, remove jumper between "1" and "L".

**Connections to 230 V~ plugs**

- [20] Boiler circuit pump or heating circuit pump, variable speed with 0 - 10 V connection
- [21] Circulation pump, optional connection:
  - DHW circulation pump
  - External heating circuit pump
  - Circulation pump for cylinder heating

- [40] Power supply
- [96]
  - Power supply for accessories
  - External demand/blocking
  - Vitotrol 100 UTA
  - Vitotrol 100 UTDB
  - Vitotrol 100 UTDB-RF

**Connections to LV plugs**

- [1] Outside temperature sensor
- [2] Flow temperature sensor for low loss header (accessories)

## Installation sequence

### Electrical connections (cont.)

- 5 Cylinder temperature sensor (part of the DHW cylinder connection set)
- 145 KM BUS subscriber (accessories)
  - Vitotrol 200A or 300A remote control
  - Vitocom 100
  - Extension kit for one heating circuit with mixer
  - Solar control module, type SM1
  - Vitosolic
  - AM1 extension
  - EA1 extension
  - Wireless base station



#### Information on connecting accessories

When connecting accessories observe the separate installation instructions provided with them.

### Circulation pump at plug 20

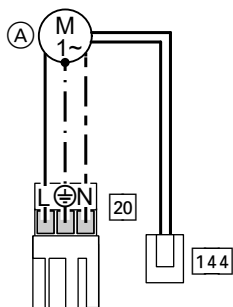


Fig. 12

Insert plug 144 (0 - 10 V connection) at X4.

Rated current 2(1) A~  
Rated voltage 230 V ~

- (A) High-efficiency circulation pump, speed-controlled via 0 - 10 V control voltage

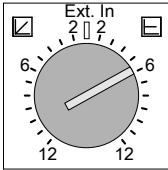


#### Circulation pump VI Para 30/1-12

Rated voltage	V~	230
Power consumption	W Max.	310
	Min.	16

#### Adjust function of circulation pump

Hydraulic connection/connection requirements	Control unit setting Coding address/group	Circulation pump setting
Single boiler system with: <ul style="list-style-type: none"> <li>▪ Heating circuit without mixer</li> <li>▪ Connection without low loss header and without heating water buffer cylinder</li> </ul>	<ul style="list-style-type: none"> <li>▪ Max pump speed: E6: ... /heating circuit</li> <li>▪ Min. pump speed: E7: ... /heating circuit</li> </ul> For further details, see the following diagram and chapter "Heating circuit..." under code 2.	Ext. In 
Single boiler system with heating circuits connected to low loss header or heating water buffer cylinder	30:0/Boiler/2	 Recommended for $\Delta t = 15 \text{ K}$ <ul style="list-style-type: none"> <li>▪ 120 kW:  = <math>3 \triangleq 6.87 \text{ m}^3/\text{h}</math></li> <li>▪ 150 kW:  = <math>6 \triangleq 8.60 \text{ m}^3/\text{h}</math></li> </ul>

**Electrical connections** (cont.)

Hydraulic connection/connection requirements	Control unit setting Coding address/group	Circulation pump setting
Multi boiler system	30:0/Boiler/2	 <p>Recommended for <math>\Delta t = 15 \text{ K}</math></p> <ul style="list-style-type: none"> <li>120 kW:  = <math>3 \pm 6.87 \text{ m}^3/\text{h}</math></li> <li>150 kW:  = <math>6 \pm 8.60 \text{ m}^3/\text{h}</math></li> </ul>
Multi-stage circulation pump (on site)	30:0/Boiler/2	

**Residual head of circulation pump (coding address E6 and E7)**

When connecting a heating circuit without mixer and without low loss header or heating water buffer cylinder, the circulation pump is controlled as a function of outside temperature. The min. and max. speeds of the circulation pump are limited by the settings for coding addresses E6 and E7.

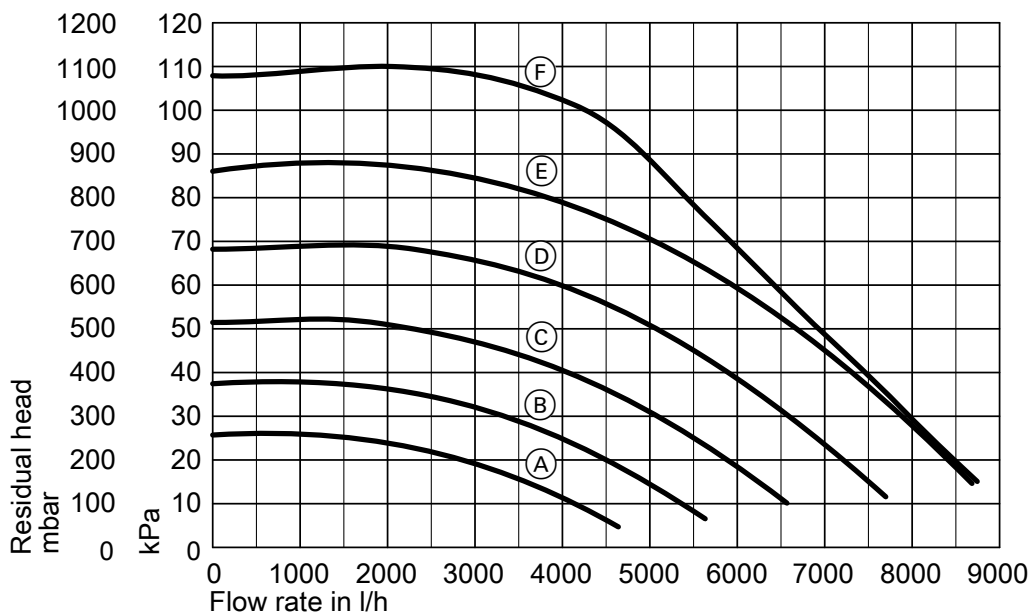


Fig. 13

**Setting for coding addresses E6, E7**

Curve	Coding address value	Pump rate, circulation pump
(B)	50	50 %
(C)	60	60 %
(D)	70	70 %
(E)	80	80 %
(F)	90	90 %
(G)	100	100 %

**Electrical connections** (cont.)

**Circulation pump at plug 21**

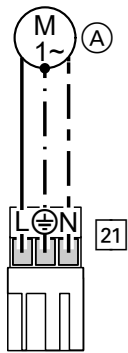


Fig. 14

(A) Circulation pump

**Note**

Connect DHW circulation pumps with standalone functions directly to the 230 V ~ supply.

Rated current 2(1) A~  
 Rated voltage 230 V~

**Set function of connected component in coding address "39"**

Function	Code
DHW circulation pump	39:0
Heating circuit pump for heating circuit without mixer A1	39:1
Circulation pump for cylinder heating (delivered condition)	39:2

**External demand via switching contact**

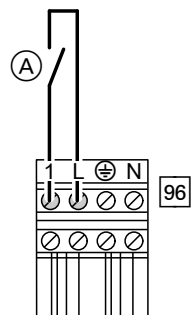
Connection options:

- Extension EA1 (accessory, see separate installation instructions).
- Plug 96.

**Connection**

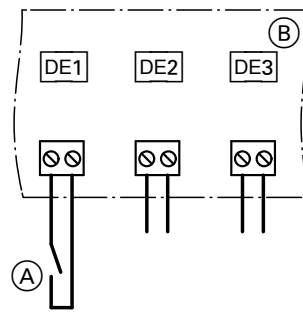
**!** **Please note**  
 'Live' contacts lead to short circuits or phase failure.  
 The external connection **must be potential-free**.

**Plug 96**



(A) Floating contact  
 When making this connection, remove jumper between 1 and L.

**EA1 extension**




(A) Floating contact  
 (B) EA1 extension

Burner operation is load-dependent if the contact is closed. The boiler water is heated to the value set in coding address "9b" in group **"General"/"1"**. The boiler water temperature is limited by this set value and the electronic maximum limit (coding address "06" in group **"Boiler"/"2"**).

## Electrical connections (cont.)

### Codes

Plug 	EA1 extension
"4b:1" in group "General"/"1"	Set "3A" (DE1), "3b" (DE2) or "3C" (DE3) in group "General"/"1" to 2.
<ul style="list-style-type: none"> <li>Select effect of the function on the relevant heating circuit pump in coding address "d7" in group "Heating circuit"/"5".</li> <li>Select effect of the function on the circulation pump for cylinder heating in coding address "5F" in group "DHW"/"3".</li> </ul>	

### External demand via 0 – 10 V input

Connection at 0 – 10 V input to **EA1 extension**.

0 – 1 V  $\triangleq$  No default set boiler water temperature

1 V  $\triangleq$  Set value 10 °C

10 V  $\triangleq$  Set value 100 °C

#### ! Please note

Ensure DC separation between the earth conductor and the negative pole of the on-site voltage source.

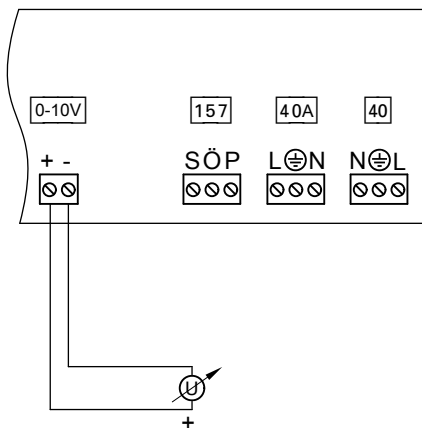



Fig. 15

### External blocking via switching contact

Connection options:

- Plug .
- Extension EA1 (accessory, see separate installation instructions).



#### Please note

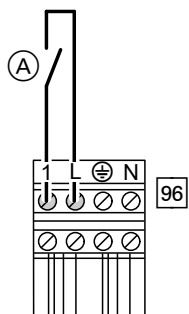
'Live' contacts lead to short circuits or phase failure.

The external connection **must be floating**.

## Installation sequence

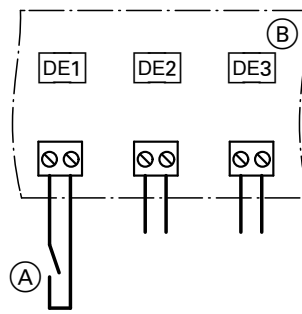
### Electrical connections (cont.)

#### Plug 96



- (A) Floating contact  
When making this connection, remove jumper between 1 and L.

#### Extension EA1



- (A) Floating contact  
(B) Extension EA1

The burner is switched off if this contact is closed. The heating circuit pump and circulation pump for cylinder heating are switched according to the set code (see the following table "Codes").

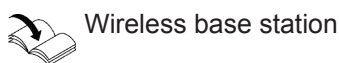
- !** **Please note**  
When blocked, there is **no frost protection** for the heating system.

#### Codes

Plug 96	Extension EA1
"4b:2" in group <b>"General"/"1"</b>	Set "3A" (DE1), "3b" (DE2) or "3C" (DE3) in group <b>"General"/"1"</b> to 3 or 4.
<ul style="list-style-type: none"> <li>▪ Select effect of the function on the heating circuit pump in coding address "d6" in group <b>"Heating circuit"/"5"</b>.</li> <li>▪ Select effect of the function on the circulation pump for cylinder heating in coding address "5E" in group <b>"DHW"/"3"</b>.</li> </ul>	

#### Outside temperature sensor 1

Fitting outside temperature sensor RF (wireless accessory):



Wireless base station

#### Fitting location for outside temperature sensor

- North or north-westerly wall, 2 to 2.5 m above ground level; in multi storey buildings, in the top half of the second floor
- Not above windows, doors or vents

- Not immediately below balconies or gutters
- Never render over

#### Outside temperature sensor connection

2-core lead, length up to 35 m with a cross-section of 1.5 mm<sup>2</sup>

#### Power supply for accessories at plug 96

230 V~

Where the boiler is sited in a wet room, accessories outside the wet area must not be connected to the mains at the control unit. If the boiler is not sited in a wet room, the power supply for accessories can be connected at the control unit. This connection is switched directly with the ON/OFF switch of the control unit.

**Electrical connections** (cont.)

If the total system current exceeds 6 A, connect one or more extensions via an ON/OFF switch directly to the mains supply (see next chapter).

**Power supply and KM BUS connection of accessories**

Power supply to all accessories via heat source control unit

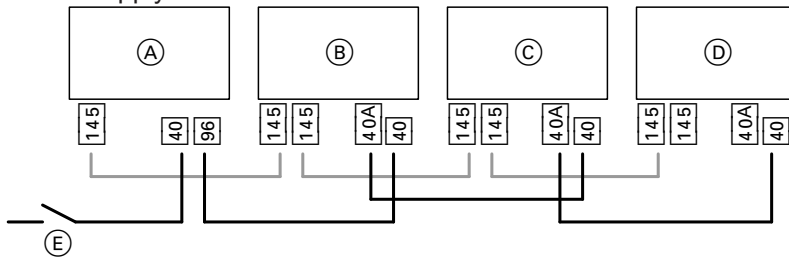


Fig. 16

Some accessories with direct power supply

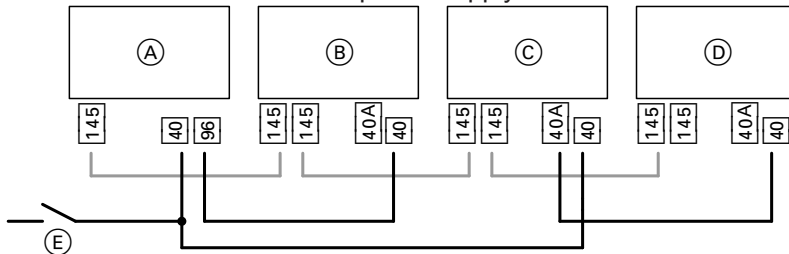


Fig. 17

- (A) Heat source control unit
- (B) Extension kit for heating circuit with mixer M2
- (C) Extension kit for heating circuit with mixer M3
- (D) AM1 extension, EA1 extension and/or solar control module, type SM1
- (E) ON/OFF switch
- (40) Mains input
- (40A) Power outlet
- (96) Control unit power outlet
- (145) KM BUS connection

If the current flowing to the connected working parts (e.g. circulation pumps) is higher than the fuse rating of the respective accessory: Only use the output concerned to control an on-site relay.

Accessories	Internal fuse protection
Extension kit for heating circuit with mixer	2 A
AM1 extension	4 A
EA1 extension	2 A
Solar control module, type SM1	2 A

**Power supply** (40)



**Danger**  
 Incorrect core allocation can result in serious injury and damage to the appliance.  
 Take care not to interchange wires "L1" and "N".

- Install an isolator in the power cable which simultaneously separates all non-earthed conductors from the mains with contact separation of at least 3 mm. Furthermore, we recommend installing an AC/DC-sensitive RCD (RCD class B ) for DC (fault) currents that can occur with energy efficient equipment.
- Max. fuse rating 16 A.

**Routing the connecting cables and leads**

**!** **Please note**  
 If connecting cables touch hot components they will be damaged.  
 When routing and securing connecting cables on site, ensure that the maximum permissible temperatures for these cables are not exceeded.

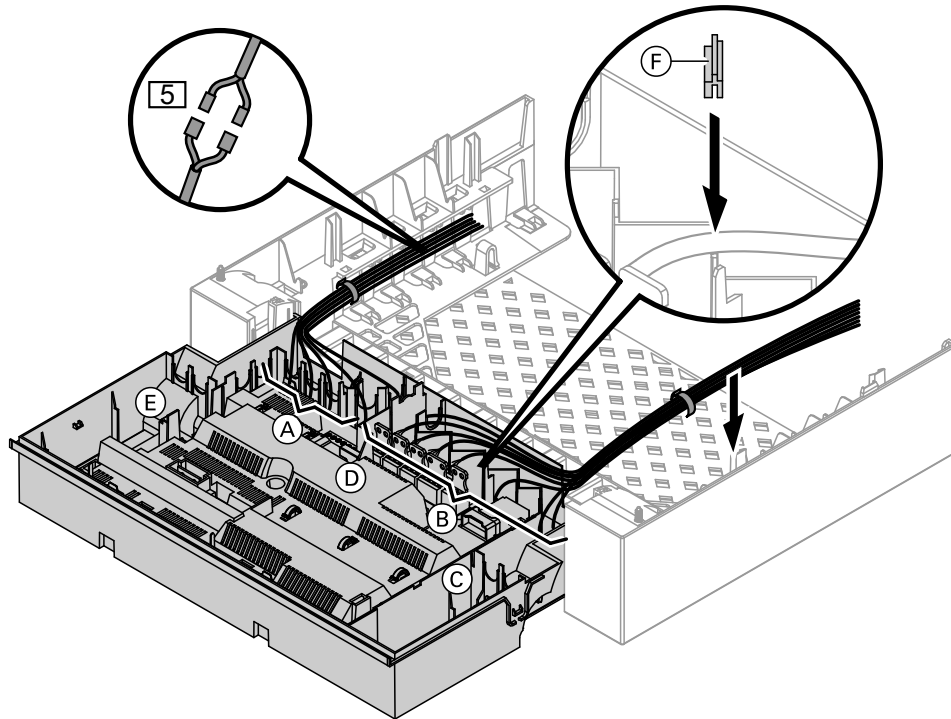


Fig. 18

- Ⓐ LV terminals
- Ⓑ 230 V terminals
- Ⓒ Internal extension
- Ⓓ Main PCB
- Ⓔ Communication module
- Ⓕ Cable grommet for power cable
- Ⓜ Plugs for connecting the cylinder temperature sensor to the cable harness

Remove the existing cable grommet when using cables with a larger cross-section (up to  $\varnothing$  14 mm). Secure the cable with cable grommet Ⓕ integrated into the casing base (black).



Closing the control unit enclosure and inserting the programming unit

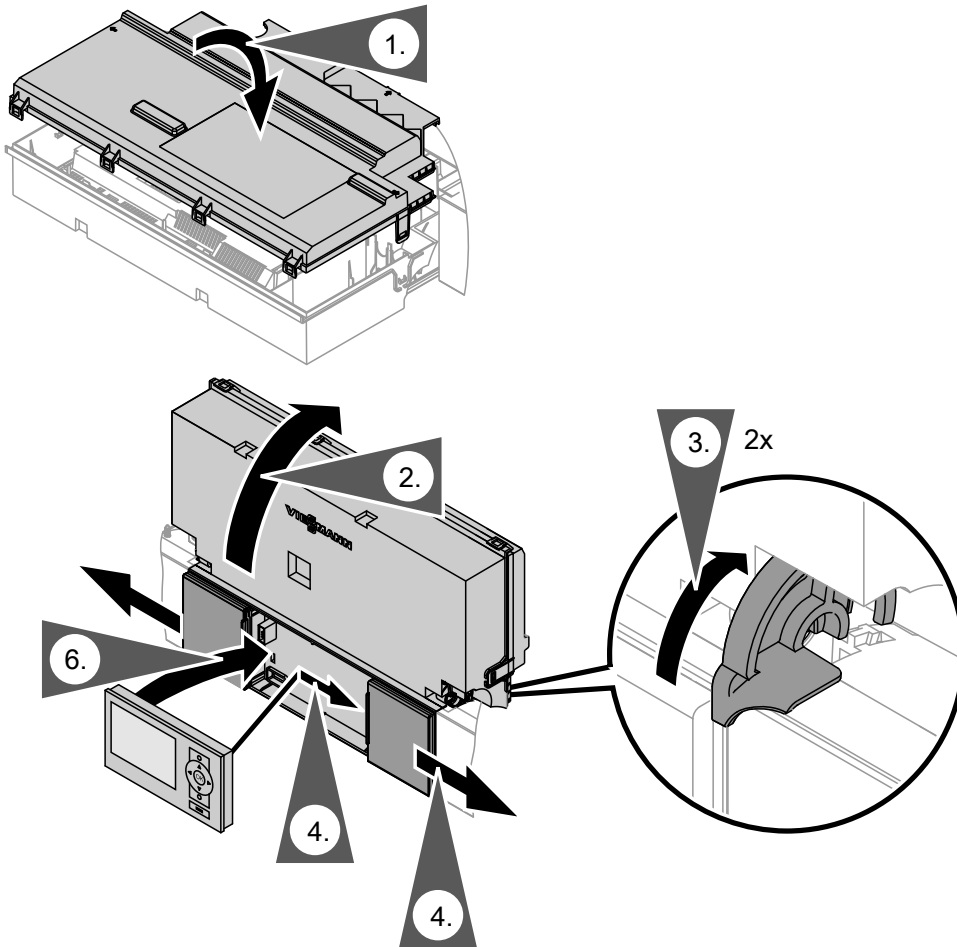



Fig. 19

Insert the programming unit (packed separately) into the control unit support.

**Note**

The programming unit can also be inserted into a wall mounting base (accessories) near the boiler.

 Wall mounting base installation instructions



**Steps - commissioning, inspection and maintenance**

			Page
•	•	•	<b>1. Opening the boiler.....</b> 27
•			<b>2. Filling the heating system.....</b> 27
•			<b>3. Selecting the language (if required) - only for weather-compensated control units... 28</b>
•	•		<b>4. Setting the time and date (if required) - only for weather-compensated control units.....</b> 28
•			<b>5. Venting the boiler.....</b> 29
•			<b>6. Venting the heating system.....</b> 29
•			<b>7. Filling the trap with water.....</b> 30
•	•	•	<b>8. Checking all connections on the heating water side and DHW side for leaks</b>
•			<b>9. Checking the power supply</b>
•			<b>10. Designating heating circuits - only for weather-compensated control units.....</b> 30
•	•		<b>11. Checking the gas type.....</b> 31
•			<b>12. Gas type conversion (only for operation with LPG).....</b> 31
•	•	•	<b>13. Function sequence and possible faults.....</b> 31
•	•	•	<b>14. Checking the static pressure and supply pressure.....</b> 32
•			<b>15. Setting the maximum heating output.....</b> 34
•			<b>16. Checking the balanced flue system for tightness (annular gap check).....</b> 34
•	•	•	<b>17. Removing the burner and checking the burner gasket.....</b> 35
•	•	•	<b>18. Checking the burner gauze assembly and replacing it if required.....</b> 36
•	•	•	<b>19. Checking the back draught safety device.....</b> 37
•	•	•	<b>20. Checking and adjusting the ignition and ionisation electrodes.....</b> 38
•	•	•	<b>21. Cleaning the heating surfaces.....</b> 38
•	•	•	<b>22. Installing the burner.....</b> 39
•	•	•	<b>23. Checking the condensate drain and cleaning the trap.....</b> 39
•	•	•	<b>24. Checking the neutralising system (if installed)</b>
•	•	•	<b>25. Checking the diaphragm expansion vessel and system pressure.....</b> 39
•	•	•	<b>26. Checking the function of the safety valves</b>
•	•	•	<b>27. Checking the firm seating of electrical connections</b>
•	•	•	<b>28. Checking all gas equipment for tightness at operating pressure ..... 40</b>
•	•	•	<b>29. Checking combustion quality.....</b> 40
•	•	•	<b>30. Checking the flue system for unrestricted flow and tightness</b>
•	•	•	<b>31. Checking the external LPG safety valve (if installed)</b>
•			<b>32. Matching the control unit to the heating system ..... 41</b>
•			<b>33. Adjusting the heating curves (only for weather-compensated control units)..... 41</b>
•			<b>34. Connecting the control unit to the LON.....</b> 43
•		•	<b>35. Scanning and resetting the "Service" display.....</b> 44
•	•	•	<b>36. Fitting the front panel.....</b> 45
•			<b>37. Instructing the system user.....</b> 45



## Opening the boiler

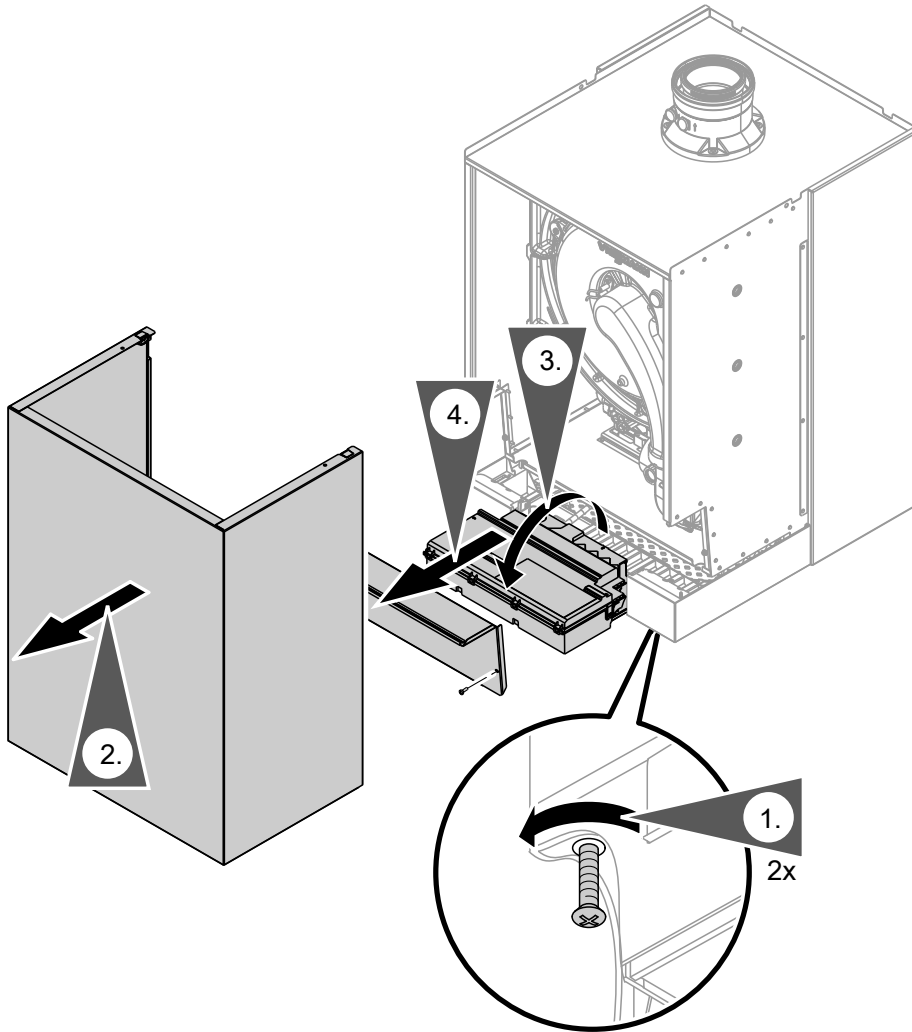


Fig. 20



## Filling the heating system

### Fill water



#### Please note

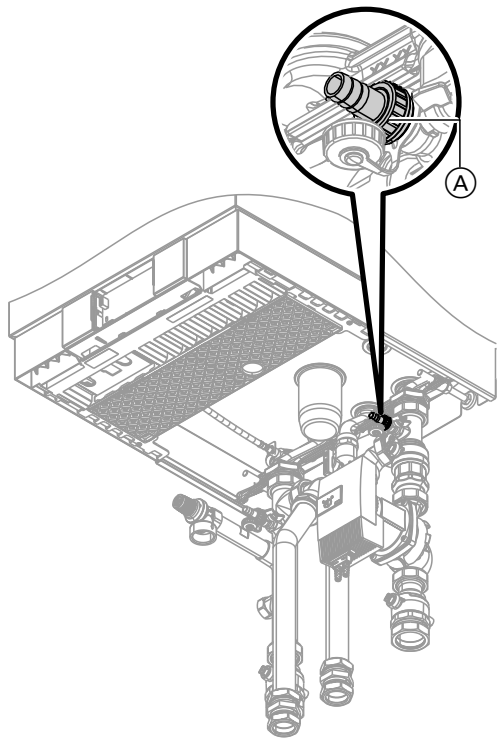
- Unsuitable fill water increases the level of deposits and corrosion and may lead to appliance damage.
  - Flush the heating system thoroughly before filling.
  - Only use fill water of potable water quality.
  - Antifreeze suitable for heating systems can be added to the fill water. The antifreeze manufacturer must verify its suitability.
  - Fill and top-up water with a water hardness in excess of the following values must be softened, e.g. with a small softening system for heating water.



**Filling the heating system (cont.)**

**Total permissible hardness of the fill and top-up water**

Total heating output kW	Specific system volume		
	< 20 l/kW	≥ 20 l/kW to < 50 l/kW	≥ 50 l/kW
≤ 50	≤ 3.0 mol/m <sup>3</sup> (16.8 °dH)	≤ 2.0 mol/m <sup>3</sup> (11.2 °dH)	< 0.02 mol/m <sup>3</sup> (0.11 °dH)
> 50 to ≤ 200	≤ 2.0 mol/m <sup>3</sup> (11.2 °dH)	≤ 1.5 mol/m <sup>3</sup> (8.4 °dH)	< 0.02 mol/m <sup>3</sup> (0.11 °dH)
> 200 to ≤ 600	≤ 1.5 mol/m <sup>3</sup> (8.4 °dH)	≤ 0.02 mol/m <sup>3</sup> (0.11 °dH)	< 0.02 mol/m <sup>3</sup> (0.11 °dH)
> 600	< 0.02 mol/m <sup>3</sup> (0.11 °dH)	< 0.02 mol/m <sup>3</sup> (0.11 °dH)	< 0.02 mol/m <sup>3</sup> (0.11 °dH)



1. Check the pre-charge pressure of the diaphragm expansion vessel.
2. Close the gas shut-off valve.
3. Connect the supply hose to boiler drain & fill valve (A).
4. Fill the heating system via boiler drain & fill valve (A). (Minimum system pressure > 1.0 bar). Permiss. operating pressure: 6 bar.
5. Close boiler drain & fill valve (A).

Fig. 21



**Selecting the language (if required) - only for weather-compensated control units**

At the commissioning stage, the display is in German (factory setting).

Extended menu:

- 1.
2. "Einstellungen"
3. "Sprache"
4. Select the required language with .



Fig. 22



**Setting the time and date (if required) - only for weather-compensated control units**

The time and date need to be reset during commissioning or after a prolonged time out of use (approx. 18 days).

Extended menu:

- 1.
2. "Settings"
3. "Time / Date"
4. Set current time and date.



## Setting the time and date (if required) - only... (cont.)

### Note

When time and date have been set, the control unit automatically checks the function of the flue gas temperature sensor. The display shows: **"Flue gas temp sensor test"** and **"Active"**.

For further details regarding the flue gas temperature sensor test, see page 89.



## Venting the boiler

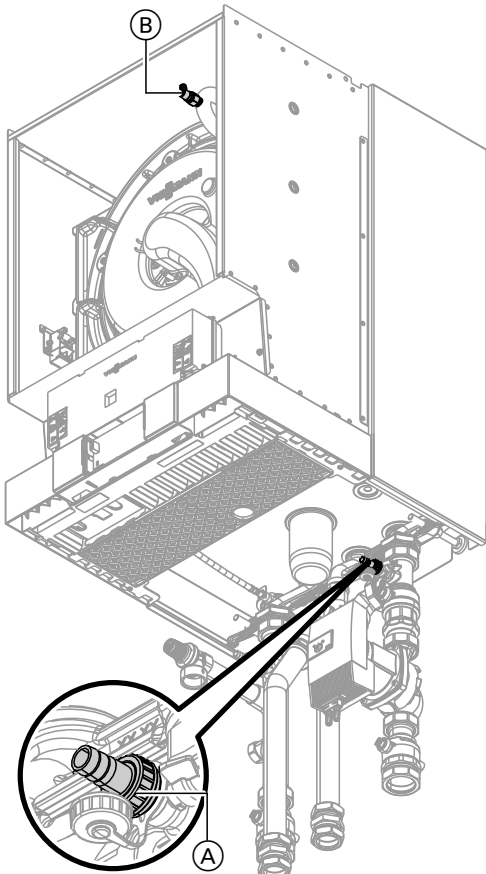


Fig. 23

1. Close the shut-off valves on the heating water side.
2. Connect the supply hose to boiler drain & fill valve (A).
3. Plug the drain hose onto top tap (B) and connect to a drain.
4. Open valves (A) and (B) and vent at mains pressure (purge) until no sound of escaping air can be heard and no more air bubbles are visible.
5. Close taps (A) and (B); open the shut-off valves on the heating water side.
6. Remove hoses again.



## Venting the heating system

1. Close the gas shut-off valve and switch the control unit ON.



   **Venting the heating system** (cont.)

2. Activate venting program (see following steps).
3. Check the system pressure.



**Note**

For function and sequence of the venting program, see page 116.

**Activating the venting function**




**Weather-compensated control unit**

Service menu

1. Press **OK** and  simultaneously for approx. 4 s.
2. "Service functions"
3. "Venting"  
Venting function is enabled.
4. Ending venting function:  
Press **OK** or .

**Constant temperature control unit**

Service menu

1. Press **OK** and  simultaneously for approx. 4 s.
2. Select "5" with  and confirm with **OK**.  
"ON" flashes.
3. Activate the venting function with **OK**.  
"EL on" is shown constantly.
4. Ending venting function:  
Press .

   **Filling the trap with water**

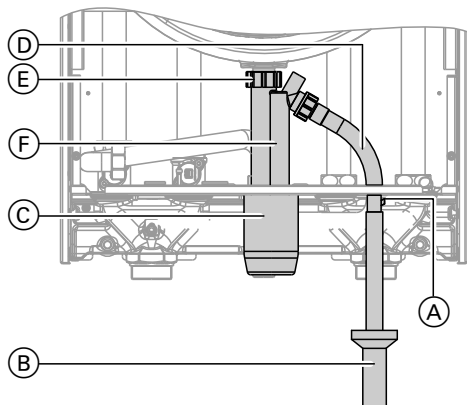


Fig. 24

1. Pull off cap (C) downwards.
2. Undo hose (D).
3. Undo union nut (E) and pull off trap (F) downwards.
4. Fill trap (F) with water and refit.
5. Refit hose (D).
6. Push on cap (C) from below.


   **Checking all connections on the heating water side and DHW side for leaks**

   **Checking the power supply**

   **Designating heating circuits - only for weather-compensated control units**

In the delivered condition, heating circuits are designated "Heating circuit 1", "Heating circuit 2" and "Heating circuit 3" (if installed).  
If the system user prefers, heating circuits can be re-designated to suit the specific system.

Entering names for heating circuits:

 Operating instructions



### Checking the gas type

The boiler is equipped with an electronic combustion controller that adjusts the burner for optimum combustion in accordance with the prevailing gas quality.

- For operation with natural gas, no adjustment is therefore required across the entire Wobbe index range.

The boiler can be operated in the Wobbe index range 9.5 to 15.2 kWh/m<sup>3</sup> (34.2 to 54.7 MJ/m<sup>3</sup>).

- For operation with LPG, the burner must be converted (see "Gas type conversion" on page 31).

- Determine the gas type and Wobbe index by asking your local gas supply utility or LPG supplier.
- For operation with LPG, convert the burner (see page 31).
- Record the gas type in the report on page 123.



### Gas type conversion (only for operation with LPG)

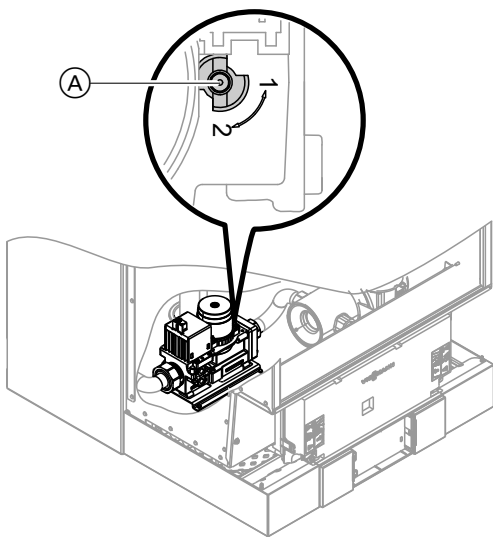
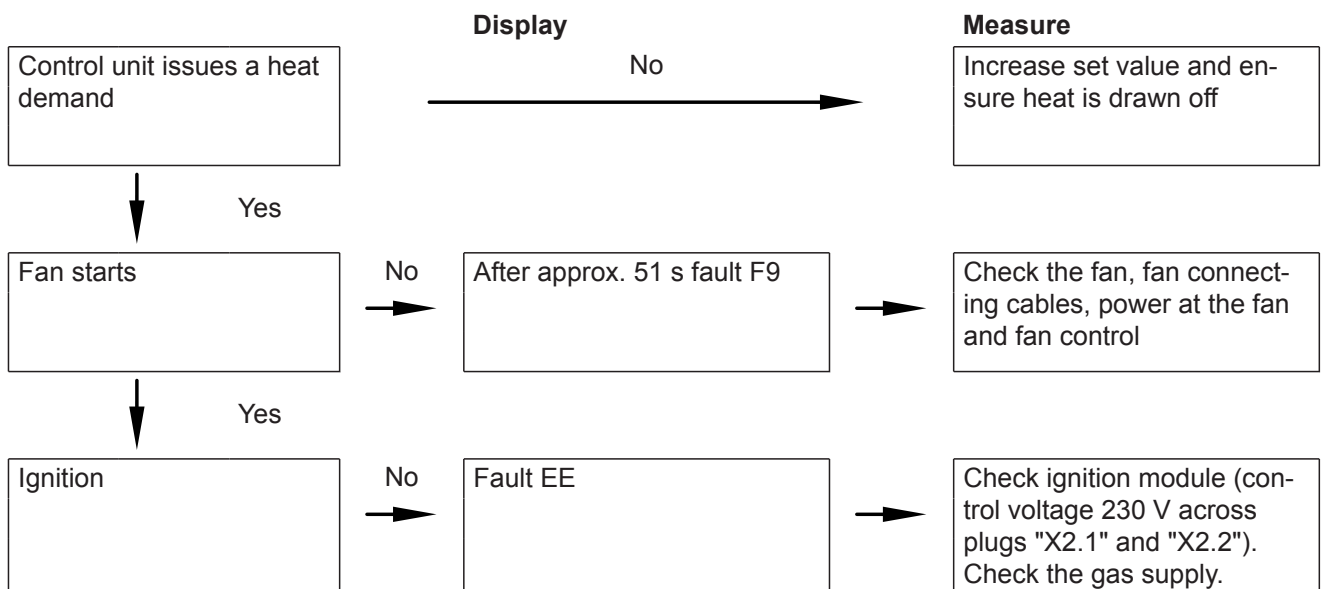


Fig. 25

- Set adjusting screw (A) on the gas train to "2".
- Turn on ON/OFF switch "I".
- Select the gas type in coding address "82":
  - Calling up code 2
  - Call up **"General"** (weather-compensated control unit) or Group **"1"** (constant temperature control unit)
    - In coding address "11", select value "9"
    - In coding address "82", select value "1" (LPG operation)
    - In code "11", select value ≠ "9".
    - End service functions.
- Open the gas shut-off valve.
- Affix label "G 31" (included with the technical documentation) in a clearly visible position near the gas train on the cover panel.

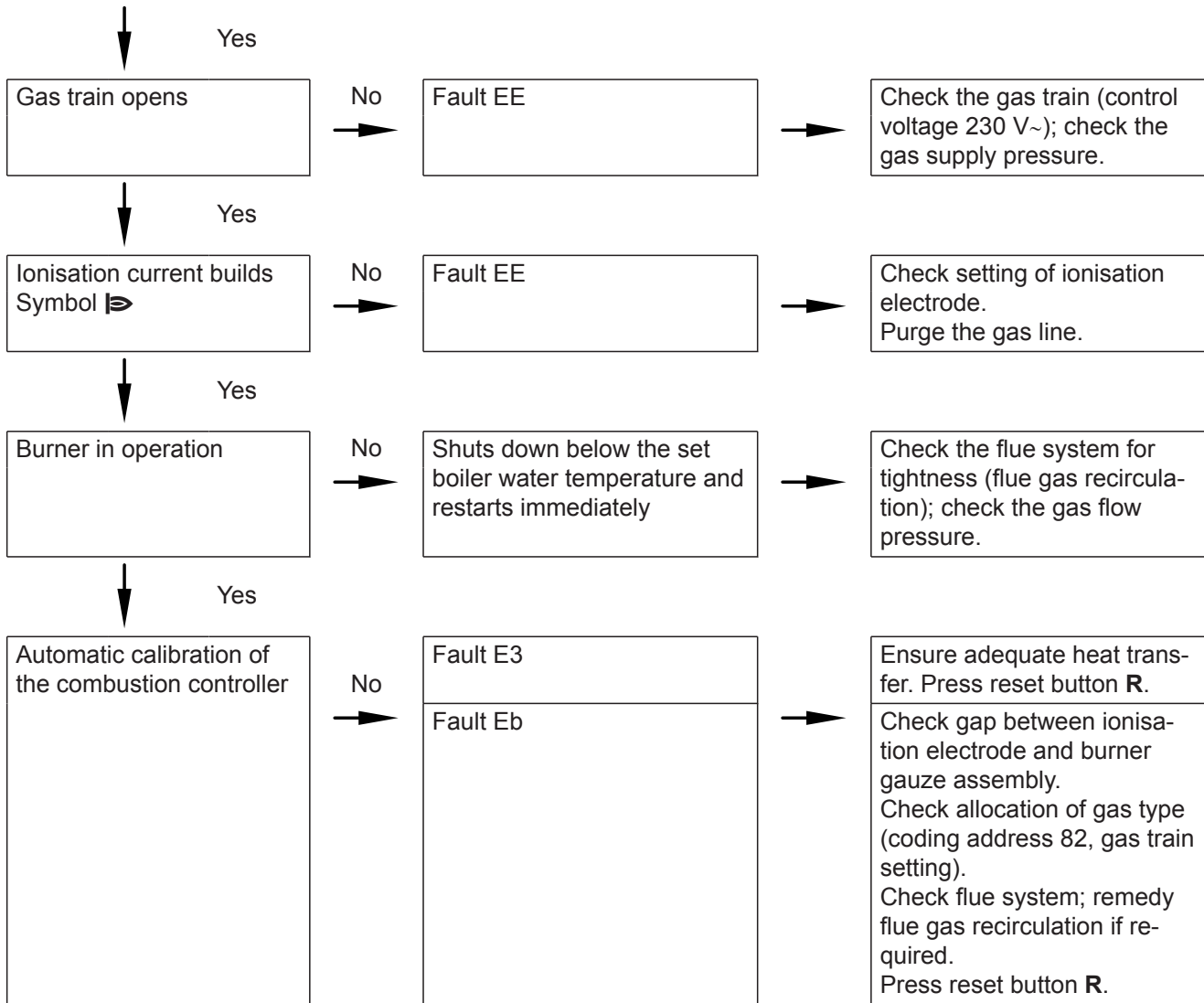


### Function sequence and possible faults





**Function sequence and possible faults (cont.)**



For further details regarding faults, see page 77.



**Checking the static pressure and supply pressure**



**Danger**

CO formation as a result of incorrect burner adjustment can have serious health implications. Carry out a CO test before and after work on gas appliances.

**Operation with LPG**

*Purge the LPG tank twice on commissioning or replacement. Vent the tank and gas connection line thoroughly after purging.*





Checking the static pressure and supply pressure (cont.)

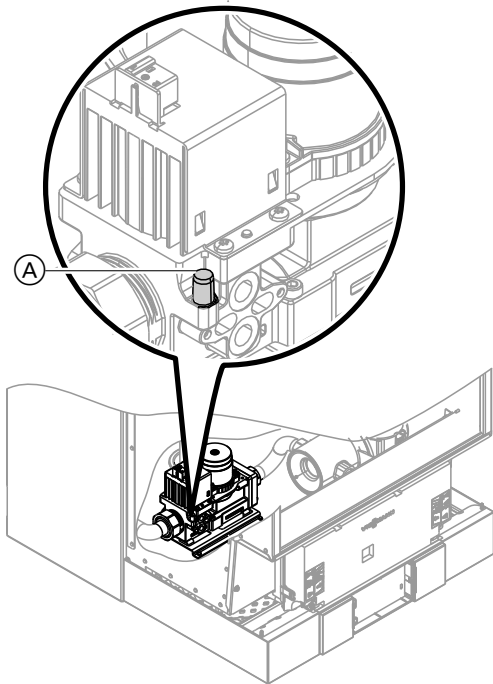


Fig. 26

1. Close the gas shut-off valve.
2. Undo screw (A) inside test connector "PE" on the gas train, but do not remove it, and connect the pressure gauge.
3. Open the gas shut-off valve.
4. Check the static pressure and record the actual value in the report on page 123.  
Set value: max. 57.5 mbar.
5. Start the boiler.


**Note**

*During commissioning, the appliance can enter a fault state because of airlocks in the gas line. After approx. 5 s, press R to reset the burner.*

6. Check the supply (flow) pressure. Set values:
  - Natural gas 20 mbar
  - LPG 50 mbar

**Note**

*Use a suitable measuring device with a resolution of at least 0.1 mbar to check the supply pressure.*

7. Record the actual value in the report. Implement measures as indicated in the table below.
8. Shut down the boiler, close the gas shut-off valve, remove the pressure gauge and tighten the screw in test connector (A).
9.  **Danger**  
Gas escaping from the test connector leads to a risk of explosion. Check for gas tightness.

Open the gas shut-off valve, start the boiler and check for tightness at test connector (A).

Supply (flow) pressure for natural gas	Supply (flow) pressure for LPG	Measures
Below 17.4 mbar	Below 42.5 mbar	Do not commission the boiler. Notify the gas supply utility or LPG supplier.
17.4 to 25 mbar	42.5 to 57.5 mbar	Start the boiler.
Above 25 mbar	Above 57.5 mbar	Connect a separate gas pressure governor upstream of the system and regulate the pre-charge pressure to 20 mbar for natural gas or 50 mbar for LPG. Notify your gas supply utility or LPG supplier.



## Setting the maximum heating output

A limit can be set on the maximum heating output for **heating operation**. The limit is set via the modulation range. The max. adjustable heating output is limited upwards by the boiler coding card.

### Weather-compensated control unit

#### Service menu

1. Press **OK** and **≡**: simultaneously for approx. 4 s.
2. **"Service functions"**
3. **"Max. output"**
4. **"Change?"** Select **"Yes"**.  
A value is shown on the display (e.g. **"85"**). In the delivered condition, this value represents 100 % of rated heating output.
5. Set the required value.

### Constant temperature control unit

#### Service menu

1. Press **OK** and **≡**: simultaneously for approx. 4 s.
2. Select **"③"** with **▶** and confirm with **OK**.  
The display shows **"FL"** and **"ON"** flashes.
3. Confirm with **OK** and ensure the flow rate is sufficient.  
Whilst the flow rate is being measured, **"FL"** flashes in the display and **"ON"** is shown.
4. If the required flow rate is reached, the set heating output (e.g. **"85"**) flashes in the display and **"▶"** is shown. In the delivered condition, this value represents 100 % of rated heating output.
5. Select required value and confirm with **OK**.



## Checking the balanced flue system for tightness (annular gap check)

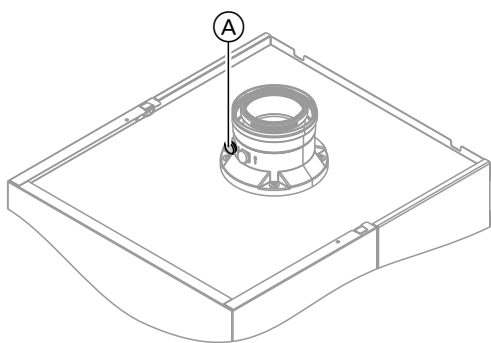


Fig. 27

Ⓐ Combustion air aperture

In this case, we recommend that your heating contractor carries out a simple tightness test during the commissioning of your system. For this it would be sufficient to check the CO<sub>2</sub> or O<sub>2</sub> concentration in the combustion air at the annular gap of the balanced flue pipe.

If the CO<sub>2</sub> concentration is less than 0.2 % or the O<sub>2</sub> concentration is greater than 20.6 %, the flue pipe is deemed to be sufficiently gas tight.

If actual CO<sub>2</sub> values are higher or actual O<sub>2</sub> values are lower, a pressure test with a static pressure of 200 Pa will need to be carried out on the flue pipe.

For balanced flue systems tested together with the heat source, there is no requirement for a tightness test (overpressure test) during commissioning by the flue gas inspector.



## Removing the burner and checking the burner gasket

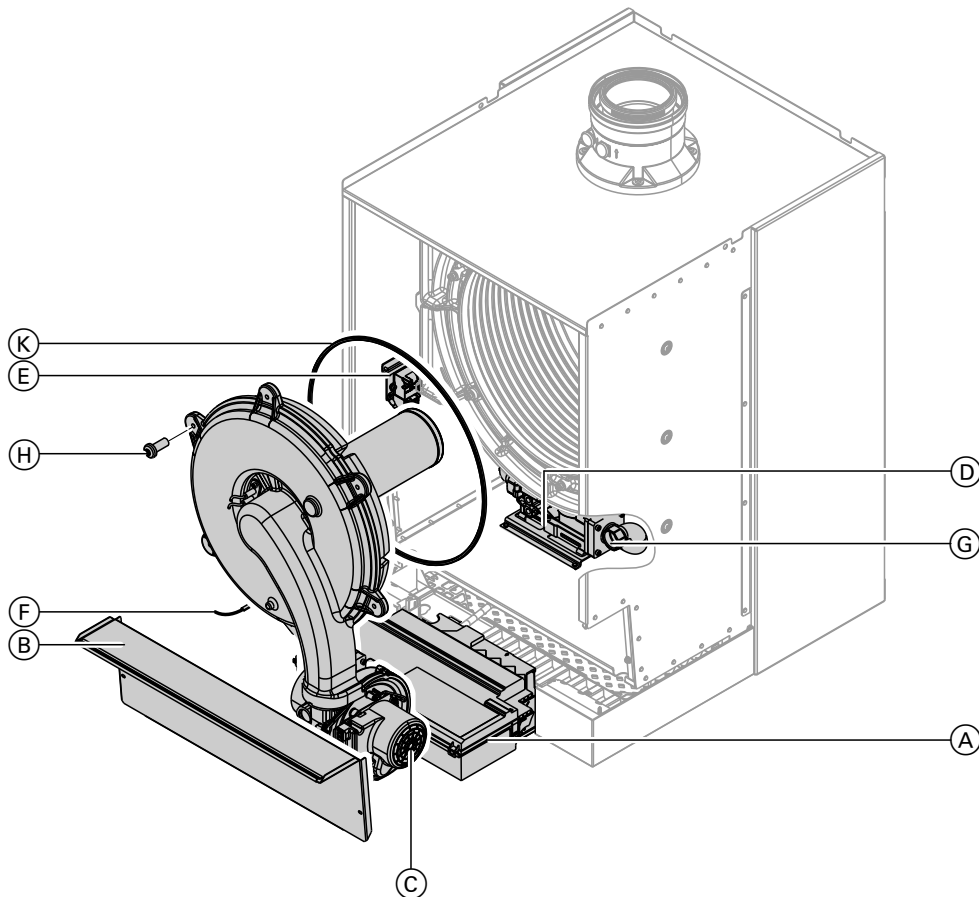


Fig. 28

1. Turn off the ON/OFF switch on the control unit and the power supply.
  2. Close the gas shut-off valve and safeguard against reopening.
  3. Unlock control unit (A) and pivot forwards.
  4. Remove cover panel (B).
  5. Pull cables from fan motor (C), gas train (D), ignition unit (E) and ionisation electrode (F).
  6. Undo gas supply pipe fitting (G).
  7. Undo six screws (H) and remove the burner.
- !** **Please note**  
To prevent damage, never touch the mesh of the burner gauze assembly.
8. Check burner gasket (K) for damage. Replace gasket if required.



Checking the burner gauze assembly and replacing it if required

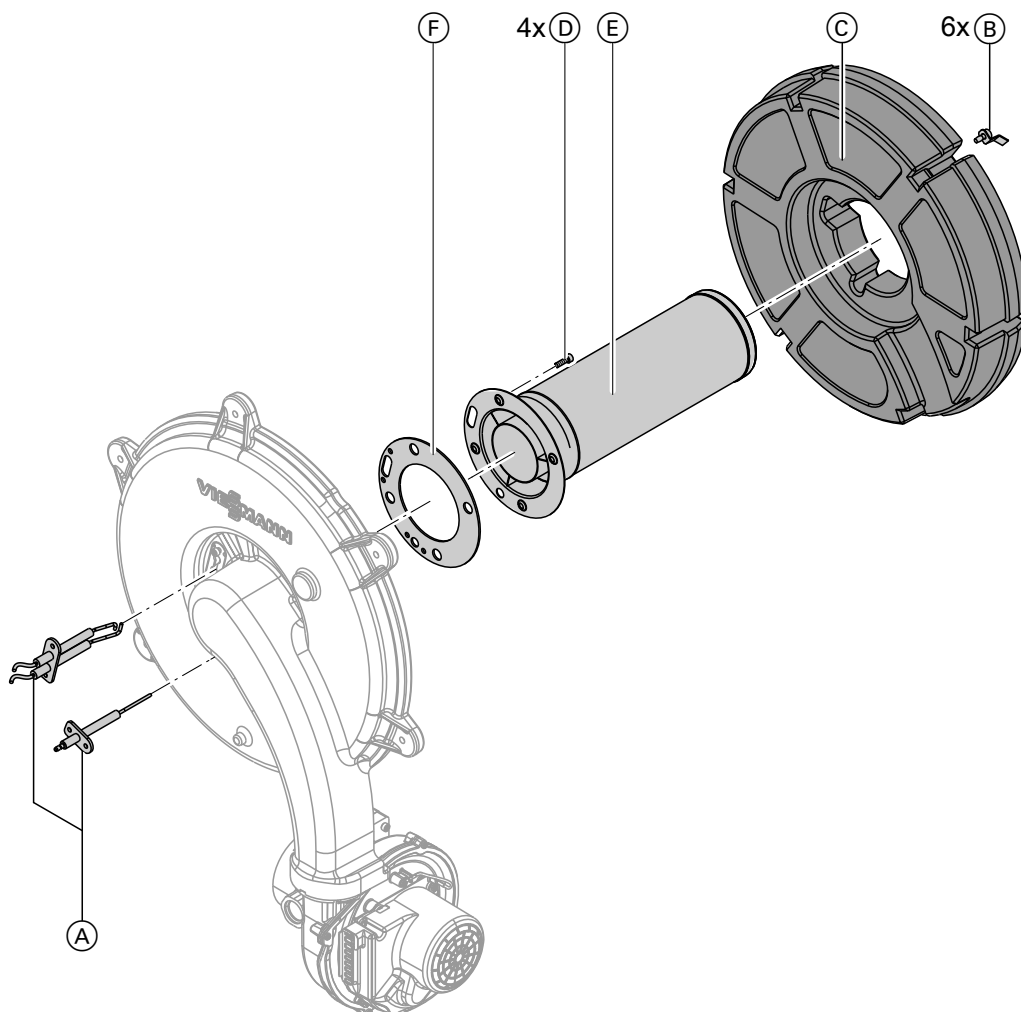


Fig. 29

1. Remove electrodes (A).
2. Undo six retaining clips (B) on thermal insulation ring (C) and then remove thermal insulation ring (C).
3. Undo four Torx screws (D) and remove burner gauze assembly (E) with burner gauze assembly gasket (F).
4. Insert new burner gauze assembly (E) with new gasket (F) and secure with four Torx screws. Torque: 3.0 Nm
5. Refit thermal insulation ring (C) and electrodes (A).

**Note**

Tightening torque for screws of electrodes (A) and retaining clips (B): 3.0 Nm.



## Checking the back draught safety device

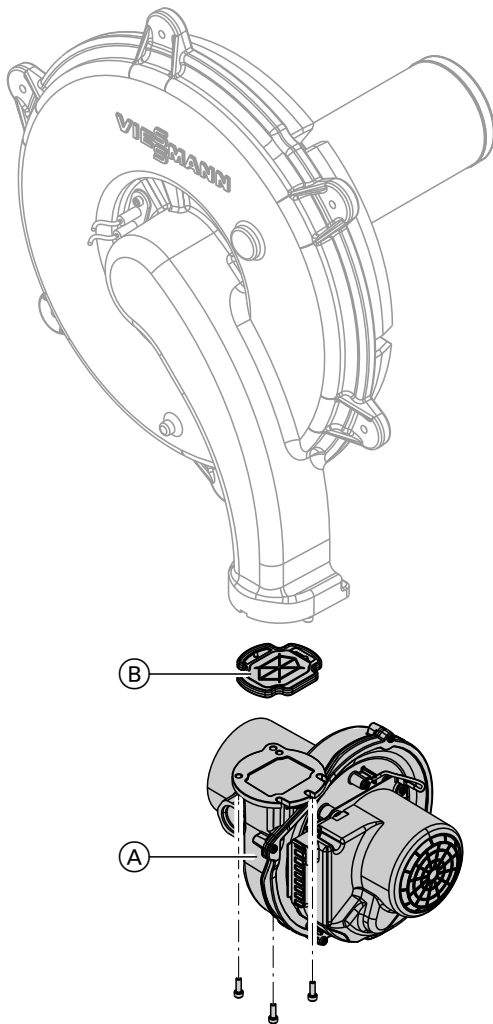


Fig. 30

1. Undo three screws and remove fan (A).
2. Remove back draught safety device (B).
3. Check the damper and gasket for dirt and damage. Replace if required.
4. Refit back draught safety device (B).
5. Refit fan (A) and secure with three screws. Torque: 3.0 Nm.



## Checking and adjusting the ignition and ionisation electrodes

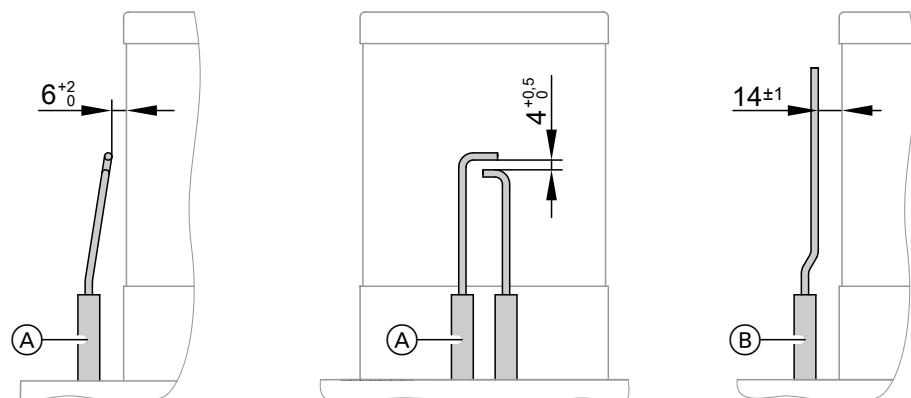


Fig. 31

- (A) Ignition electrodes
- (B) Ionisation electrode

1. Check the electrodes for wear and contamination.
2. Clean the electrodes with a small brush (not with a wire brush) or sandpaper.
3. Check the electrode gaps. If the gaps are not as specified or the electrodes are damaged, replace the electrodes and gaskets and adjust them as required. Tighten the electrode fixing screws with a torque of 3 Nm.

**!** **Please note**  
Burner gauze assembly mesh:  
Do not damage.



## Cleaning the heating surfaces

**!** **Please note**  
Scratches to the surfaces of the heat exchanger that come into contact with hot gas can result in corrosion damage.  
**Never use brushes to clean the heat exchanger.**

**!** **Please note**  
Brushing can cause deposits to become lodged in the gaps between the coils.  
**Never use brushes to clean the heat exchanger.**

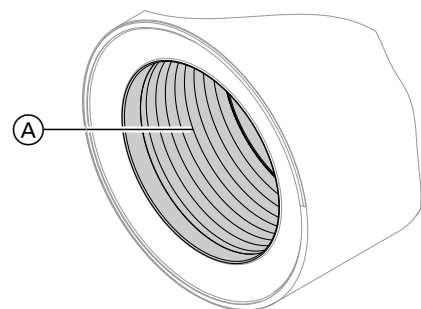


Fig. 32

**Note**  
*Discolouration on the heat exchanger surface is a normal sign of use. It has no bearing on the function and service life of the heat exchanger.  
The use of chemical cleaning agents is not required.*

1. Use a vacuum cleaner to remove combustion residues from heating surface (A) of the heat exchanger.
2. Flush heating surface (A) with water.
3. Check condensate drain and clean trap. See the following chapter.
4. Flush the heating surface again with water. This will also fill the trap with water.



## Installing the burner

1. Insert the burner and tighten the screws diagonally. Torque: 8.5 Nm
  2. Install the gas supply pipe with a new gasket and tighten the fitting. Torque: 15 Nm
  3. Check the gas connections for tightness.
- Danger**  
Escaping gas leads to a risk of explosion. Check the fitting for gas tightness.
4. Connect the electrical cables/leads to the corresponding components.



## Checking the condensate drain and cleaning the trap

### Note

If condensate escapes at vent aperture (A) or (B), clean or (if necessary) replace the following drain line.

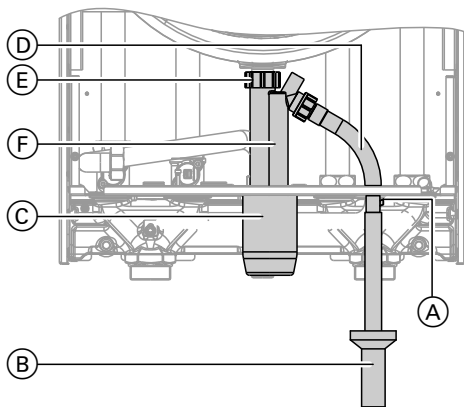


Fig. 33

1. Pull off cap (C) downwards.
2. Undo hose (D).
3. Undo union nut (E) and pull trap downwards.
4. Clean trap (F).
5. Check that the condensate can drain freely to the public sewage system.
6. Fill trap (F) with water and reassemble.
7. Refit hose (D).
8. Push on cap (C) from below.

### On multi boiler systems:

Clean the trap in the flue gas header as well.



## Checking the neutralising system (if installed)



## Checking the diaphragm expansion vessel and system pressure

### Note


Carry out this test on a cold system.

1. Drain the system until the pressure gauge indicates "0" or close the cap valve on the expansion vessel and reduce the pressure at the cap valve.
2. If the pre-charge pressure of the expansion vessel is lower than the static system pressure, top up with nitrogen until the pre-charge pressure is 0.1 to 0.2 bar higher.
3. Top up with water until the charge pressure of the cooled system is 0.1 to 0.2 bar higher than the pre-charge pressure of the expansion vessel. Permiss. operating pressure: 6 bar.

   **Checking the function of the safety valves**

   **Checking the firm seating of electrical connections**

   **Checking all gas equipment for tightness at operating pressure**

 **Danger**  
Escaping gas leads to a risk of explosion.  
Check all gas equipment for tightness.

**Note**  
Only use suitable and approved leak detection agents (EN 14291) and devices for the tightness test. Leak detection agents with unsuitable constituents (e.g. nitrides, sulphides) can cause material damage. Remove leak detection agent residues after testing.

   **Checking combustion quality**

The electronic combustion controller automatically ensures optimum combustion quality. During commissioning/maintenance, only the combustion values need to be checked. For this, measure the CO content plus the CO<sub>2</sub> or O<sub>2</sub> content. For a description of the electronic combustion controller functions, see page 120.

**Note**  
Operate the appliance with uncontaminated combustion air to prevent operating faults and damage.

**CO content**

- The CO content must be < 1000 ppm for all gas types.

**CO<sub>2</sub> or O<sub>2</sub> content**

- The CO<sub>2</sub> content must be within the following limits for upper and lower heating output respectively:
  - 7.5 to 9.6 % for natural gas E and LL
  - 9.0 to 11.3 % for LPG P
- The O<sub>2</sub> content must be between 3.8 and 7.3 % for all gas types.

If the actual CO<sub>2</sub> or O<sub>2</sub> values lie outside their respective ranges, check the balanced flue system for tightness, see page 34.

**Note**  
During commissioning, the combustion controller carries out an automatic calibration. Allow approx. 30 s after the burner has started before testing the emissions.

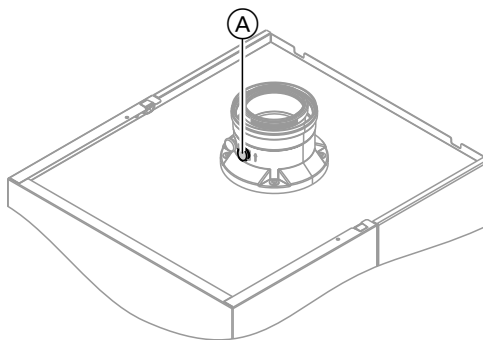


Fig. 34

1. Connect a flue gas analyser at flue gas port (A) on the boiler flue connection.
2. Open the gas shut-off valve, start the boiler and create a heat demand.
3. Set the lower heating output (see page 41).
4. Check the CO<sub>2</sub> content. Should the actual value deviate from the aforementioned ranges by more than 1 %, implement measures detailed on page 40.
5. Enter the actual value into the report.
6. Set the upper heating output (see page 41).
7. Check the CO<sub>2</sub> content. Should the actual value deviate from the aforementioned ranges by more than 1 %, implement measures detailed on page 40.
8. After testing, press **OK**.
9. Enter the actual value into the report.





## Checking combustion quality (cont.)

### Select higher/lower heating output

#### Weather-compensated control unit

Service menu

1. Press **OK** and **≡** simultaneously for approx. 4 s.
2. **"Actuator test"**
3. Select the lower heating output:  
Select **"Base load OFF"**. Then **"Base load ON"** appears and the burner operates at its lower heating output.
4. Select the upper heating output:  
Select **"Full load OFF"**. Then **"Full load ON"** appears and the burner operates at its upper heating output.
5. Ending output selection:  
Press ↩.

#### Constant temperature control unit

Service menu

1. Press **OK** and **≡** simultaneously for approx. 4 s.
2. Select "☐" with ▶ and confirm with **OK**.  
The display shows "I" and "ON" flashes.
3. Select the lower heating output:  
Press **OK**, "ON" will be displayed constantly.
4. Select the upper heating output:  
Press ↩.
5. Select "2" with ▶; "ON" flashes.
6. Press **OK**, "ON" will be displayed constantly.
7. Ending output selection:  
Press ↩.



## Checking the flue system for unrestricted flow and tightness



## Checking the external LPG safety valve (if installed)



## Matching the control unit to the heating system

The control unit must be matched to the equipment level of the system. Various system components are recognised automatically by the control unit and the relevant codes are set automatically.

For individual coding steps, see page 46.



## Adjusting the heating curves (only for weather-compensated control units)

The heating curves illustrate the relationship between the outside temperature and the boiler water or flow temperature.

To put it simply, the lower the outside temperature, the higher the boiler water or flow temperature.

The boiler water or flow temperature in turn affects the room temperature.

Settings in the delivered condition:

- Slope = 1.4
- Level = 0

### Note

*If the heating system includes heating circuits with mixers, then the flow temperature of the heating circuit without mixer is higher by a selected differential (8 K in the delivered condition) than the flow temperature of the heating circuits with mixers.*

*The differential temperature is adjustable via coding address "9F" in the "General" group.*

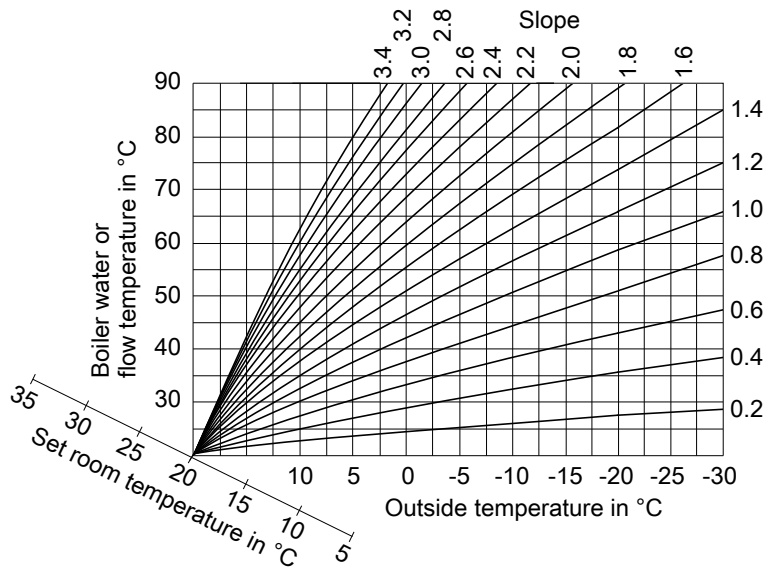


Fig. 35

Slope setting ranges:

- Underfloor heating systems: 0.2 to 0.8
- Low temperature heating systems: 0.8 to 1.6

### Selecting the set room temperature

Individually adjustable for each heating circuit. The heating curve is offset along the axis of the set room temperature. With the heating circuit pump logic function enabled, the curve modifies the starting and stopping characteristics of the heating circuit pump.

### Standard set room temperature

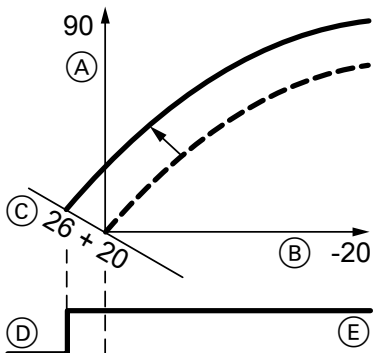
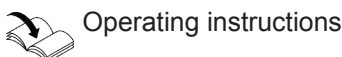


Fig. 36 Example 1: Adjustment of the standard set room temperature from 20 to 26 °C

- (A) Boiler water temperature or flow temperature in °C
- (B) Outside temperature in °C
- (C) Set room temperature in °C
- (D) Heating circuit pump "OFF"
- (E) Heating circuit pump "ON"

Changing the standard set room temperature



### Reduced set room temperature

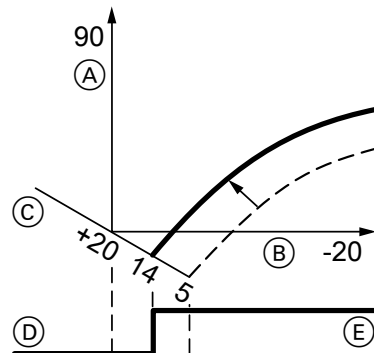
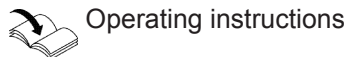


Fig. 37 Example 2: Adjustment of the reduced set room temperature from 5 °C to 14 °C

- (A) Boiler water temperature or flow temperature in °C
- (B) Outside temperature in °C
- (C) Set room temperature in °C
- (D) Heating circuit pump "OFF"
- (E) Heating circuit pump "ON"

Changing the reduced set room temperature



### Changing the slope and level

Individually adjustable for each heating circuit.



**Adjusting the heating curves (only for... (cont.)**

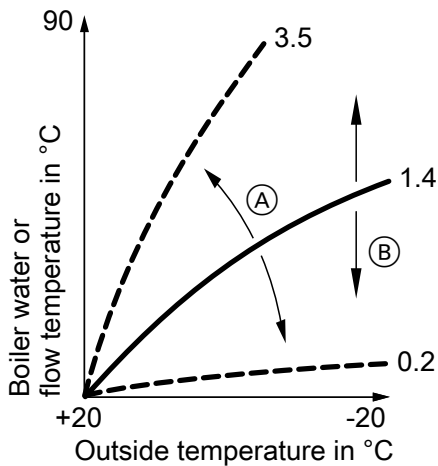


Fig. 38

- (A) Changing the slope
- (B) Changing the level (vertical parallel offset of the heating curve)

Extended menu:

1. :
2. "Heating"
3. Select heating circuit.
4. "Heating curve"
5. "Slope" or "Level"
6. Select heating curve according to the system requirements.



**Connecting the control unit to the LON**

The LON communication module must be plugged in.

**Note**

The data transfer via LON can take several minutes.

**Note**

The same subscriber number must **not** be allocated twice within the LON.

**Only one Vitotronic** may be programmed as fault manager.

**Example: Single boiler system with Vitotronic 200-H and Vitocom 200**

Set the LON subscriber numbers and further functions via code 2 (see the following table).

All coding addresses in the table are listed in the "General" group.

Boiler control unit	Vitotronic 200-H	Vitotronic 200-H	Vitocom
Subscriber no. 1 Code "77:1"	Subscriber no. 10 Code "77:10"	Subscriber no. 11 <b>Set</b> code "77:11".	Subscriber no. 99
Control unit is fault manager. Code "79:1"	Control unit is not fault manager. Code "79:0"	Control unit is not fault manager. Code "79:0"	Device is fault manager.
Control unit transmits the time. Code "7b:1"	Control unit receives the time. <b>Set</b> code "81:3".	Control unit receives the time. <b>Set</b> code "81:3".	Device receives the time.
Control unit sends outside temperature. <b>Set</b> code "97:2".	Control unit receives outside temperature. <b>Set</b> code "97:1".	Control unit receives outside temperature. <b>Set</b> code "97:1".	—





## Connecting the control unit to the LON (cont.)

Boiler control unit	Vitotronic 200-H	Vitotronic 200-H	Vitocom
Viessmann system number. Code "98:1"	Viessmann system number. Code "98:1"	Viessmann system number. Code "98:1"	—
LON subscriber fault monitoring. Code "9C:20"	LON subscriber fault monitoring. Code "9C:20"	LON subscriber fault monitoring. Code "9C:20"	—

### Carrying out a LON subscriber check

The subscriber check is used to test communication with the system devices connected to the fault manager.

Requirements:

- The control unit must be programmed as **fault manager** (code "79:1" in the **"General"** group).
- The LON subscriber number must be programmed in all control units.
- The LON subscriber list in the fault manager must be up to date.

Service menu:

1. Press **OK** and simultaneously for approx. 4 s.
2. **"Service functions"**

### 3. "Subscriber check"

4. Select subscriber (e.g. subscriber 10).
5. Start the subscriber check with **"OK"**.

- Successfully tested subscribers are designated with **"OK"**.
- Unsuccessfully tested subscribers are identified with **"Not OK"**.

#### Note

To perform another subscriber check:  
Create a new subscriber list with **"Delete list?"** (subscriber list is updated).

#### Note

During the subscriber check, the display of the relevant subscriber shows the subscriber no. and **"Wink"** for approx. 1 min.



## Scanning and resetting the "Service" display

The red fault indicator flashes when the limits set in coding addresses "21" and "23" have been reached. (Coding address in group **"Boiler"** (weather-compensated control unit) or group 2 (constant temperature control unit).)

### Weather-compensated control unit

#### Display

**"Service"** and

#### Acknowledging a service

Press **OK**.  
Service the appliance.

#### Note

An acknowledged service message that was not reset appears again the following Monday.

### Constant temperature control unit

The specified hours run or the specified interval with calendar symbol (subject to setting) and

Press **OK**.  
Service the appliance.

#### Note

An acknowledged service message that was not reset appears again after 7 days.

### After the service has been carried out: Reset the codes

Service menu:

1. Press **OK** and simultaneously for approx. 4 s.
2. **"Service functions"**
3. **"Service reset"**

#### Note

The selected service parameters for hours run and interval restart at **"0"**.

Reset code "24:1" in group 2 to "24:0".

#### Note

The selected service parameters for hours run and interval restart at **"0"**.

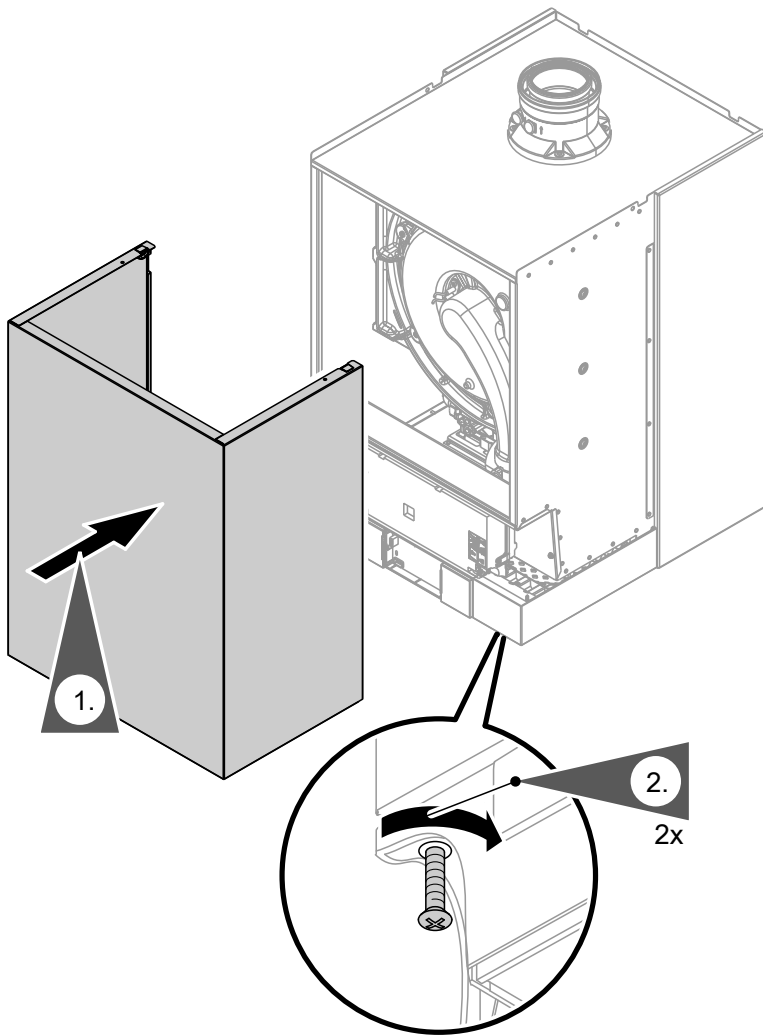
**Fitting the front panel**

Fig. 39

**Note**

Ensure the locking screws are fitted before operating.

**Instructing the system user**

The system installer should hand the operating instructions to the system user and instruct the user in operating the system.

## Calling up coding level 1

- On weather-compensated control units, codes are displayed as plain text.
- Codes that are not assigned due to the heating system equipment level or the setting of other codes are not displayed.
- Heating systems with one heating circuit without mixer and one or two heating circuits with mixer: The heating circuit without mixer is designated **"Heating circuit 1"** and the heating circuits with mixer as **"Heating circuit 2"** or **"Heating circuit 3"**. If the heating circuits were given individual designations, the selected designation and **"HC1"**, **"HC2"** or **"HC3"** appear instead.

### Weather-compensated control unit

#### The codes are divided into groups


- **"General"**
- **"Boiler"**
- **"DHW"**
- **"Solar"**
- **"Heating circuit 1/2/3"**
- **"All codes std device"**  
In this group, all coding addresses from coding level 1 (except the coding addresses from the **"Solar"** group) are displayed in ascending order.
- **"Standard setting"**

### Constant temperature control unit









- 1: **"General"**
- 2: **"Boiler"**
- 3: **"DHW"**
- 4: **"Solar"**
- 5: **"Heating circuit 1"**
- 6: **"All codes std device"**  
In this group, all coding addresses are displayed in ascending order.
- 7: **"Standard setting"**

#### Call up code 1

Service menu:

1. Press **OK** and  simultaneously for approx. 4 s.
2. **"Coding level 1"**
3. Select group of required coding address.
4. Select coding address.
5. Select value according to the following tables and confirm with **OK**.

Service menu:


1. Press **OK** and  simultaneously for approx. 4 s.
2. Select **"①"** with  for coding level 1 and confirm with **OK**.
3. **"I"** flashes on the display for the coding addresses in group 1.
4. Select the group of the required coding address with / and confirm with **OK**.
5. Select coding address with /.
6. Set value according to the following tables with / and confirm with **OK**.

#### Resetting all codes to their delivered condition

Select **"Standard setting"**.

#### Note

*This also resets codes at coding level 2.*

Select **"7"** with  and confirm with **OK**.  
When **"\*"** flashes, confirm with **OK**.

#### Note

*This also resets codes at coding level 2.*

## General/group "1"

Select **"General"** for weather-compensated control unit (see page 46).

Select **"1"** for constant temperature control unit (see page 46).

## General/group "1" (cont.)

## Coding

Coding in the delivered condition		Possible change	
<b>System design</b>			
00:1	System version 1: One heating circuit without mixer A1 (heating circuit 1), without DHW heating	00:2 to 00:10	For system schemes, see the following table:

Value, address 00: ...	System version	Description
2	1	One heating circuit without mixer A1 (heating circuit 1), with DHW heating (code is set automatically)
3	2, 3	One heating circuit with mixer M2 (heating circuit 2), without DHW heating
4	2, 3	One heating circuit with mixer (heating circuit 2), with DHW heating
5	4	One heating circuit without mixer A1 (heating circuit 1) and one heating circuit with mixer M2 (heating circuit 2), without DHW heating (code is set automatically)
6	4	One heating circuit without mixer A1 (heating circuit 1) and one heating circuit with mixer M2 (heating circuit 2), with DHW heating (code is set automatically)
7	4	One heating circuit with mixer M2 (heating circuit 2) and one heating circuit with mixer M3 (heating circuit 3), without DHW heating
8	4	One heating circuit with mixer M2 (heating circuit 2) and one heating circuit with mixer M3 (heating circuit 3), with DHW heating
9	4	One heating circuit without mixer A1 (heating circuit 1), one heating circuit with mixer M2 (heating circuit 2) and one heating circuit with mixer M3 (heating circuit 3), without DHW heating (code is set automatically)
10	4	One heating circuit without mixer A1 (heating circuit 1), one heating circuit with mixer M2 (heating circuit 2) and one heating circuit with mixer M3 (heating circuit 3), with DHW heating (code is set automatically)

Coding in the delivered condition		Possible change	
<b>Internal circulation pump function</b>			
51:0	System with low loss header: When there is a heat demand, the internal circulation pump always starts	51:1	System with low loss header: When there is a heat demand, the internal circulation pump only starts if the burner is running. The circulation pump stops on expiry of the run-on time.
		51:2	System with heating water buffer cylinder: When there is a heat demand, the internal circulation pump only starts if the burner is running. The circulation pump stops on expiry of the run-on time.

**General/group "1"** (cont.)

Coding in the delivered condition		Possible change	
<b>Subscriber no.</b>			
77:1	LON subscriber number (only for weather-compensated control units)	77:2 to 77:99	LON subscriber number adjustable from 1 to 99: 1 - 4 = Boiler 5 = Cascade 10 - 97 = Vitotronic 200-H 98 = Vitogate 99 = Vitocom  <b>Note</b> <i>Allocate each number <b>only</b> once.</i>
<b>Detached house/apartment building</b>			
7F:1	Detached house (only for weather-compensated control units)	7F:0	Apartment building Holiday program and time program for DHW heating can be set separately.
<b>Lock out controls</b>			
8F:0	Control in standard menu and in extended menu is enabled.  <b>Note</b> <i>The respective code is only activated when you exit the service menu.</i>	8F:1	Control in standard menu <b>and</b> in extended menu is locked. Emissions test mode can be enabled.
		8F:2	Control in standard menu is enabled, but locked in extended menu. Emissions test mode can be enabled.
<b>Set flow temperature for external demand</b>			
9b:70	Set flow temperature for external demand 70 °C	9b:0 to 9b:127	Set flow temperature for external demand adjustable from 0 to 127 °C (limited by boiler-specific parameters)

**Boiler/group "2"**

Select "**Boiler**" for weather-compensated control units (see page 46).

Select "**2**" for constant temperature control unit (see page 46).

**Coding**

Coding in the delivered condition		Possible change	
<b>Single/multi-boiler system</b>			
01:1	Single boiler system (only for constant temperature control units)	01:2	Multi boiler system with Vitotronic 300-K
<b>Boiler number</b>			
07:1	Boiler number in multi boiler systems (only for constant temperature control units)	07:2 to 07:8	Boiler number 2 to 8 in multi boiler systems
<b>Service interval x 100 burner hours run</b>			
21:0	No service interval set (in hours run)	21:1 to 21:100	The number of hours run before the burner should be serviced is adjustable from 100 to 10,000 h One step $\hat{=}$ 100 h



**Boiler/group "2"** (cont.)

Coding in the delivered condition		Possible change	
<b>Service interval in months</b>			
23:0	No time set for burner service interval	23:1 to 23:24	Time interval adjustable from 1 to 24 months
<b>Service status</b>			
24:0	"Service" not shown on the display	24:1	"Service" is shown on the display (address is automatically set and must be manually reset after a service has been carried out)
<b>Filling/venting</b>			
2F:0	Venting program/fill program inactive	2F:1	Venting program active
		2F:2	Fill program active

**DHW/group "3"**

Select **"DHW"** for weather-compensated control unit (see page 46).

Select **"3"** for constant temperature control unit (see page 46).

**Coding**

Coding in the delivered condition		Possible change	
<b>Set DHW temperature reheating suppression</b>			
67:40	For solar DHW heating: Set DHW temperature 40 °C. Reheating is suppressed above the selected set temperature (boiler starts as backup if the rise in the cylinder temperature is too low). Cannot be adjusted on gas condensing combi boilers.	67:0 to 67:95	Set DHW temperature adjustable from 0 to 95 °C (limited by boiler-specific parameters)
<b>Enable DHW circulation pump</b>			
73:0	DHW circulation pump: "ON" according to time program (only for weather-compensated control units)	73:1 to 73:6	"ON" from once per hour for 5 min up to 6 times per hour for 5 min during the time program
		73:7	Constantly "ON"

**Solar/group "4"**

Select **"Solar"** for weather-compensated control unit (see page 46).

Select **"4"** for constant temperature control unit (see page 46).

**Note**

The solar group is only displayed if a solar control module, type SM1, is connected.

**Solar/group "4"** (cont.)**Coding**

Coding in the delivered condition		Possible change	
<b>Speed control solar circuit pump</b>			
02:...	Data dependent on the software version of solar control module SM1	02:0	Solar circuit pump is not speed-controlled
		02:1	With wave packet control function Never adjust
		02:2	Solar circuit pump is speed-controlled with PWM control
<b>Maximum cylinder temperature</b>			
08:60	Set DHW temperature (maximum cylinder temperature) 60 °C.	08:10 to 08:90	Set DHW temperature adjustable from 10 to 90 °C.
<b>Stagnation time reduction</b>			
0A:5	Temperature differential for stagnation time reduction (reduction in the speed of the solar circuit pump to protect system components and heat transfer medium) 5 K.	0A:0	Stagnation time reduction not active.
		0A:1 to 0A:40	Temperature differential adjustable from 1 to 40 K.
<b>Flow rate solar circuit</b>			
0F:70	Solar circuit flow rate at the maximum pump speed 7 l/min.	0F:1 to 0F:255	Flow rate adjustable from 0.1 to 25.5 l/min, 1 step $\approx$ 0.1 l/min.
<b>Extended solar control functions</b>			
20:0	No extended control function enabled	20:1	Auxiliary function for DHW heating
		20:2	Differential temperature control 2.
		20:3	Differential temperature control 2 and auxiliary function.
		20:4	Differential temperature control 2 for central heating backup.
		20:5	Thermostat function
		20:6	Thermostat function and auxiliary function
		20:7	Solar heating via external heat exchanger without additional temperature sensor
		20:8	Solar heating via external heat exchanger with additional temperature sensor
		20:9	Solar heating of 2 DHW cylinders

**Heating circuit 1, heating circuit 2, heating circuit 3/group "5"**

Select **"Heating circuit ..."** for weather-compensated control unit (see page 46).

Select **"5"** for constant temperature control unit (see page 46).

## Heating circuit 1, heating circuit 2, heating... (cont.)

### Coding

Coding in the delivered condition		Possible change	
<b>Priority DHW heating</b>			
A2:2	Cylinder priority applicable to heating circuit pump and mixer	A2:0	Without cylinder priority applicable to heating circuit pump and mixer
		A2:1	Cylinder priority only applicable to mixer
		A2:3 to A2:15	Reduced priority applicable to mixer (the heating circuit receives a reduced amount of energy)

### Economy function, outside temperature

A5:5	With heating circuit pump logic function (economy control): Heating circuit pump "OFF" if outside temperature (OT) is 1 K higher than the set room temperature ( $RT_{set}$ ) $OT > RT_{set} + 1 \text{ K}$ (only for weather-compensated control units)	A5:0	Without heating circuit pump logic function
		A5:1 to A5:15	With heating circuit pump logic function: Heating circuit pump "OFF"; see following table

Parameter address A5:...	With heating circuit pump logic function: Heating circuit pump "OFF"
1	$OT > RT_{set} + 5 \text{ K}$
2	$OT > RT_{set} + 4 \text{ K}$
3	$OT > RT_{set} + 3 \text{ K}$
4	$OT > RT_{set} + 2 \text{ K}$
5	$OT > RT_{set} + 1 \text{ K}$
6	$OT > RT_{set}$
7 to 15	$OT > RT_{set} - 1 \text{ K}$ $OT > RT_{set} - 9 \text{ K}$

Coding in the delivered condition		Possible change	
<b>Extended economy function adjusted outside temperature</b>			
A6:36	Extended economy control <b>disabled</b> (only for weather-compensated control units)	A6:5 to A6:35	Extended economy control enabled, i.e. the burner and heating circuit pump will stop and the mixer close at a variable value, adjustable between 5 and 35 °C plus 1 °C. The basis for this is the adjusted outside temperature. This is based on the actual outside temperature and a time constant, which takes into account the cooling down of an average building.

## Heating circuit 1, heating circuit 2, heating... (cont.)

Coding in the delivered condition		Possible change	
<b>Extended economy function, mixer</b>			
A7:0	Without mixer economy function (only for weather-compensated control units and heating circuits with mixer)	A7:1	With mixer economy function (extended heating circuit pump logic): Heating circuit pump also "OFF": <ul style="list-style-type: none"> <li>▪ If the mixer has been attempting to close for longer than 20 min.</li> </ul> Heating circuit pump "ON": <ul style="list-style-type: none"> <li>▪ If the mixer changes to control function</li> <li>▪ If there is a risk of frost</li> </ul>
<b>Pump idle time, transition reduced mode</b>			
A9:7	With pump idle time: Heating circuit pump "OFF" if the set value is altered through a change in operating mode or through a change in the set room temperature (only for weather-compensated control units)	A9:0	Without pump idle time
		A9:1 to A9:15	With pump idle time, adjustable from 1 to 15. The higher the value, the longer the pump idle time.
<b>Weather-compensated/room temperature hook-up</b>			
b0:0	With remote control: Heating mode/reduced mode: weather-compensated (only for weather-compensated control units; change the code only for the heating circuit with mixer)	b0:1	Heating mode: weather-compensated Reduced mode: with room temperature hook-up
		b0:2	Heating mode: with room temperature hook-up Reduced mode: weather-compensated
		b0:3	Heating mode/reduced mode: with room temperature hook-up
<b>Economy function room temperature</b>			
b5:0	With remote control: No room temperature-dependent heating circuit pump logic function (only for weather-compensated control units; only change the code for the heating circuit with mixer)	b5:1 to b5:8	For heating circuit pump logic function, see the following table:

Parameter address b5:...	With heating circuit pump logic function:	
	Heating circuit pump "OFF"	Heating circuit pump "ON"
1	$RT_{\text{actual}} > RT_{\text{set}} + 5 \text{ K}$	$RT_{\text{actual}} < RT_{\text{set}} + 4 \text{ K}$
2	$RT_{\text{actual}} > RT_{\text{set}} + 4 \text{ K}$	$RT_{\text{actual}} < RT_{\text{set}} + 3 \text{ K}$
3	$RT_{\text{actual}} > RT_{\text{set}} + 3 \text{ K}$	$RT_{\text{actual}} < RT_{\text{set}} + 2 \text{ K}$
4	$RT_{\text{actual}} > RT_{\text{set}} + 2 \text{ K}$	$RT_{\text{actual}} < RT_{\text{set}} + 1 \text{ K}$
5	$RT_{\text{actual}} > RT_{\text{set}} + 1 \text{ K}$	$RT_{\text{actual}} < RT_{\text{set}}$
6	$RT_{\text{actual}} > RT_{\text{set}}$	$RT_{\text{actual}} < RT_{\text{set}} - 1 \text{ K}$
7	$RT_{\text{actual}} > RT_{\text{set}} - 1 \text{ K}$	$RT_{\text{actual}} < RT_{\text{set}} - 2 \text{ K}$
8	$RT_{\text{actual}} > RT_{\text{set}} - 2 \text{ K}$	$RT_{\text{actual}} < RT_{\text{set}} - 3 \text{ K}$

## Heating circuit 1, heating circuit 2, heating... (cont.)

Coding in the delivered condition		Possible change	
<b>Min. flow temperature heating circuit</b>			
C5:20	Electronic minimum flow temperature limit 20 °C (only for weather-compensated control units)	C5:1 to C5:127	Minimum limit adjustable from 1 to 127 °C (limited by boiler-specific parameters)
<b>Max. flow temperature heating circuit</b>			
C6:74	Electronic maximum flow temperature limit 74 °C (only for weather-compensated control units)	C6:10 to C6:127	Maximum limit adjustable from 10 to 127 °C (limited by boiler-specific parameters)
<b>Heating program changeover</b>			
d5:0	The external operating program changeover switches the operating program to "Constant operation with reduced room temperature" or "Standby mode" (only for weather-compensated control units)	d5:1	The external operating program changeover switches to "Constant operation with standard room temperature" (subject to coding address 3A, 3b and 3C)
<b>Ext. operating program changeover to heating circuit</b>			
d8:0	No operating program changeover via EA1 extension	d8:1	Operating program changeover via input DE1 at EA1 extension
		d8:2	Operating program changeover via input DE2 at EA1 extension
		d8:3	Operating program changeover via input DE3 at EA1 extension
<b>Screed function</b>			
F1:0	Screed drying disabled (only for weather-compensated control units).	F1:1 to F1:6	Screed drying adjustable, with choice of 6 temperature/time profiles (see page 116)
		F1:15	Constant flow temperature 20 °C
<b>Party mode time limit</b>			
F2:8	Time limit for party mode or external heating program changeover via key: 8 h (only for weather-compensated control units) <sup>*1</sup>	F2:0	No time limit for party mode <sup>*1</sup>
		F2:1 to F2:12	Time limit adjustable from 1 to 12 h <sup>*1</sup>
<b>Pump control in "Only DHW"</b>			
F6:25	In the "Only DHW" operating mode, the circulation pump in the heating circuit connection set is constantly on (only for constant temperature control units)	F6:0	In the "Only DHW" operating mode, the circulation pump in the heating circuit connection set is constantly off
		F6:1 to F6:24	In the "Only DHW" operating mode, the circulation pump in the heating circuit connection set is started 1 to 24 times per day for 10 min each time.
<b>Pump control in "standby mode"</b>			
F7:25	In "Standby mode", the circulation pump in the heating circuit connection set is constantly on (only for constant temperature control units)	F7:0	In "Standby mode", the circulation pump in the heating circuit connection set is constantly off
		F7:1 to F7:24	In "Standby mode", the circulation pump in the heating circuit connection set is started 1 to 24 times per day for 10 min each time.

<sup>\*1</sup> In the "Heating and DHW" program, party mode ends **automatically** when the system changes over to operation with standard room temperature.

## Heating circuit 1, heating circuit 2, heating... (cont.)

Coding in the delivered condition		Possible change	
<b>Start temperature raising</b>			
F8:-5	Temperature limit for terminating the reduced mode -5 °C, see example on page 118. Observe the setting of coding address "A3". (only for weather-compensated control units)	F8:+10 to F8:-60	Temperature limit adjustable from +10 to -60 °C
		F8:-61	Function disabled
<b>End temperature raising</b>			
F9:-14	Temperature limit for raising the reduced set room temperature -14 °C, see example on page 118. (only for weather-compensated control units)	F9:+10 to F9:-60	Temperature limit for raising the set room temperature to the value selected for standard mode adjustable from +10 to -60 °C
<b>Set flow temperature increase</b>			
FA:20	Raising the set boiler water temperature or set flow temperature by 20 % when changing from operation with reduced room temperature to operation with standard room temperature. See example on page 118 (only for weather-compensated control units).	FA:0 to FA:50	Temperature rise adjustable from 0 to 50 %
<b>Duration set flow temperature increase</b>			
Fb:30	Duration for raising the set boiler water temperature or set flow temperature (see coding address "FA") 60 min. See example on page 118 (only for weather-compensated control units).	Fb:0 to Fb:150	Duration adjustable from 0 to 300 min; 1 step $\hat{=}$ 2 min

## Calling up coding level 2

- All codes are accessible in coding level 2.
- Codes that are not assigned due to the heating system equipment level or the setting of other codes are not displayed.
- The heating circuit without mixer is designated "**Heating circuit 1**" and the heating circuits with mixer as "**Heating circuit 2**" or "**Heating circuit 3**". If the heating circuits were given individual designations, the selected designation and "**HC1**", "**HC2**" or "**HC3**" appear instead.

### Weather-compensated control unit

### Constant temperature control unit



#### The codes are divided into groups

- "General"
- "Boiler"
- "DHW"
- "Solar"
- "Heating circuit 1/2/3"
- "All codes std device"  
In this group, all coding addresses (except the coding addresses from the "Solar" group) are displayed in ascending order.
- "Standard setting"









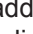
- 1: "General"
- 2: "Boiler"
- 3: "DHW"
- 4: "Solar"
- 5: "Heating circuit 1"
- 6: "All codes std device"  
In this group, all coding addresses are displayed in ascending order.
- 7: "Standard setting"

#### Call up code 2

Service menu:

1. Press **OK** and  simultaneously for approx. 4 s.
2. Press **OK** and  simultaneously for approx. 4 s.
3. "**Coding level 2**"
4. Select group of required coding address.
5. Select coding address.
6. Select value according to the following tables and confirm with **OK**.

Service menu:


1. Press **OK** and  simultaneously for approx. 4 s.
2. Press **OK** and  simultaneously for approx. 4 s.
3. Select "**2**" with  for coding level 2 and confirm with **OK**.
4. "**I**" flashes on the display for the coding addresses in group 1.
5. Select the group of the required coding address with / and confirm with **OK**.
6. Select coding address with /.
7. Set value according to the following tables with / and confirm with **OK**.

#### Resetting all codes to their delivered condition

Select "**Standard setting**".

#### Note

*This also resets codes at coding level 1.*

Select "**7**" with  and confirm with **OK**.  
When "**I**" flashes, confirm with **OK**.

#### Note

*This also resets codes at coding level 1.*

## General/group "1"

Select "**General**" for weather-compensated control units (see page 55).

Select "**1**" for constant temperature control unit (see page 55).

### Coding

Coding in the delivered condition		Possible change	
00:1	System version 1: One heating circuit without mixer A1 (heating circuit 1), without DHW heating	00:2 to 00:10	For system schemes, see the following table:

## General/group "1" (cont.)

Value, address 00: ...	System version	Description
2	1	One heating circuit without mixer A1 (heating circuit 1), with DHW heating (code is set automatically)
3	2, 3	One heating circuit with mixer M2 (heating circuit 2), without DHW heating
4	2, 3	One heating circuit with mixer (heating circuit 2), with DHW heating
5	4	One heating circuit without mixer A1 (heating circuit 1) and one heating circuit with mixer M2 (heating circuit 2), without DHW heating (code is set automatically)
6	4	One heating circuit without mixer A1 (heating circuit 1) and one heating circuit with mixer M2 (heating circuit 2), with DHW heating (code is set automatically)
7	4	One heating circuit with mixer M2 (heating circuit 2) and one heating circuit with mixer M3 (heating circuit 3), without DHW heating
8	4	One heating circuit with mixer M2 (heating circuit 2) and one heating circuit with mixer M3 (heating circuit 3), with DHW heating
9	4	One heating circuit without mixer A1 (heating circuit 1), one heating circuit with mixer M2 (heating circuit 2) and one heating circuit with mixer M3 (heating circuit 3), without DHW heating (code is set automatically)
10	4	One heating circuit without mixer A1 (heating circuit 1), one heating circuit with mixer M2 (heating circuit 2) and one heating circuit with mixer M3 (heating circuit 3), with DHW heating (code is set automatically)

Coding in the delivered condition		Possible change	
11:≠9	No access to the coding addresses for the combustion control parameters	11:9	Access to the coding addresses for the combustion control parameters is open
25:0	Without outside temperature sensor (for constant temperature control units)	25:1	With outside temperature sensor (automatic recognition)
2A:0	Without wireless outside temperature sensor	2A:1	With wireless outside temperature sensor (automatic recognition)
		2A:2	Wireless outside temperature sensor is not used
2d:1	With flow sensors (do not adjust)		
32:0	Without AM1 extension	32:1	With AM1 extension (automatic recognition)
33:1	Function of output A1 at AM1 extension: Heating circuit pump	33:0	Function of output A1: DHW circulation pump
		33:2	Function of output A1: Circulation pump for cylinder heating
34:0	Function of output A2 at AM1 extension: DHW circulation pump	34:1	Function of output A2: Heating circuit pump
		34:2	Function of output A2: Circulation pump for cylinder heating
35:0	Without EA1 extension	35:1	With EA1 extension (automatic recognition)
36:0	Function of output <span style="border: 1px solid black; padding: 0 2px;">157</span> at EA1 extension: Fault message	36:1	Function of output <span style="border: 1px solid black; padding: 0 2px;">157</span> : Feed pump
		36:2	Function of output <span style="border: 1px solid black; padding: 0 2px;">157</span> : DHW circulation pump
39:2	Function output <span style="border: 1px solid black; padding: 0 2px;">21</span> : Circulation pump for cylinder heating	39:0	Function output <span style="border: 1px solid black; padding: 0 2px;">21</span> : DHW circulation pump
		39:1	Function output <span style="border: 1px solid black; padding: 0 2px;">21</span> : Heating circuit pump



## General/group "1" (cont.)

Coding in the delivered condition		Possible change	
3A:0	Function input DE1 at EA1 extension: Not assigned	3A:1	Function of input DE1: Heating program changeover
		3A:2	Function of input DE1: External demand with set flow temperature. Set flow temperature setting: Coding address 9b. Internal circulation pump function: Coding address 3F
		3A:3	Function of input DE1: External blocking. Internal circulation pump function: Coding address 3E
		3A:4	Function of input DE1: External blocking with fault message input Internal circulation pump function: Coding address 3E
		3A:5	Function of input DE1: Fault message input
		3A:6	Function of input DE1: Brief operation of DHW circulation pump (key-pad function). Adjusting DHW circulation pump runtime: Coding address 3d
3b:0	Function input DE2 at EA1 extension: Not assigned	3b:1	Function of input DE2: Heating program changeover
		3b:2	Function of input DE2: External demand with set flow temperature. Set flow temperature setting: Coding address 9b. Internal circulation pump function: Coding address 3F
		3b:3	Function of input DE2: External blocking. Internal circulation pump function: Coding address 3E
		3b:4	Function of input DE2: External blocking with fault message input Internal circulation pump function: Coding address 3E
		3b:5	Function of input DE2: Fault message input
		3b:6	Function of input DE2: Brief operation of DHW circulation pump (key-pad function). Adjusting DHW circulation pump runtime: Coding address 3d
3C:0	Function input DE3 at EA1 extension: Not assigned	3C:1	Function of input DE3: Heating program changeover
		3C:2	Function of input DE3: External demand with set flow temperature. Set flow temperature setting: Coding address 9b. Internal circulation pump function: Coding address 3F

## General/group "1" (cont.)

Coding in the delivered condition		Possible change	
		3C:3	Function of input DE3: External blocking. Internal circulation pump function: Coding address 3E
		3C:4	Function of input DE3: External blocking with fault message input Internal circulation pump function: Coding address 3E
		3C:5	Function of input DE3: Fault message input
		3C:6	Function of input DE3: Brief operation of DHW circulation pump (key-pad function). Adjusting DHW circulation pump runtime: Coding address 3d
3d:5	Runtime of DHW circulation pump during brief operation: 5 min	3d:1 to 3d:60	Runtime of DHW circulation pump adjustable from 1 to 60 min
3E:0	Boiler circuit pump stays in control mode at "External blocking" signal	3E:1	Boiler circuit pump is stopped at "External blocking" signal
		3E:2	Boiler circuit pump is started at "External blocking" signal
3F:0	Boiler circuit pump stays in control mode at "External demand" signal	3F:1	Boiler circuit pump is stopped at "External demand" signal
		3F:2	Boiler circuit pump is started at "External demand" signal
4b:0	Function of input [96]: Room thermostat (Vitolot 100) for constant temperature control units	4b:1	External demand
		4b:2	External blocking
51:0	System with low loss header: Boiler circuit pump is always started when there is a heat demand	51:1	System with low loss header: When there is heat demand, the boiler circuit pump will only be started if the burner is running. The circulation pump stops on expiry of the run-on time.
		51:2	System with heating water buffer cylinder: When there is heat demand, the boiler circuit pump will only be started if the burner is running. The circulation pump stops on expiry of the run-on time.
52:0	Without flow temperature sensor for low loss header	52:1	With flow temperature sensor for low loss header (automatic recognition)
53:1	Function of terminal [28] of internal extension: DHW circulation pump	53:0	Function of terminal [28]: Central fault
		53:2	Function of terminal [28]: External heating circuit pump (heating circuit 1)
		53:3	Function of terminal [28]: External circulation pump for cylinder heating
54:0	Without solar thermal system	54:1	With Vitosolic 100 (automatic recognition)

## General/group "1" (cont.)

Coding in the delivered condition		Possible change	
		54:2	With Vitosolic 200 (automatic recognition)
		54:3	With solar control module SM1 without auxiliary function (automatic recognition)
		54:4	With solar control module SM1 with auxiliary function, e.g. central heating backup (automatic recognition)
6E:50	No measured outside temperature correction	6E:0 to 6E:100	Outside temperature correction in 0.1 K steps 0 to 49 = -5 K to -0.1 K 51 to 100 = 0.1 K to 5 K
76:0	Without communication module	76:1	With LON communication module (automatic recognition; only for weather-compensated control units)
		76:2	With cascade communication module (automatic recognition; only for constant temperature control units)
77:1	LON subscriber number (only for weather-compensated control units)	77:2 to 77:99	LON subscriber number adjustable from 1 to 99: 1 - 4 = Boiler 5 = Cascade 10 - 97 = Vitotronic 200-H 98 = Vitogate 99 = Vitocom  <b>Note</b> <i>Allocate each number <b>only once</b>.</i>
79:1	With LON communication module: Control unit is fault manager (only for weather-compensated control units)	79:0	Control unit is not fault manager
7b:1	With LON communication module: Control unit transmits the time (only for weather-compensated control units)	7b:0	Does not transmit time
7F:1	Detached house (only for weather-compensated control units)	7F:0	Apartment building Holiday program and time program for DHW heating can be set separately
80:6	If a fault occurs for at least 30 s, a fault message is displayed	80:0	Immediate fault message
		80:2 to 80:199	Minimum fault duration until fault message occurs, adjustable from 10 s to 995 s; 1 step $\cong$ 5 s
81:1	Automatic summer/wintertime changeover	81:0	Manual summer/wintertime changeover
		81:2	Use of the radio clock receiver (automatic recognition)
		81:3	With LON communication module: Control unit receives the time
82:0	Operation with natural gas	82:1	Operation with LPG (only adjustable if coding address 11:9 has been set)

## General/group "1" (cont.)

Coding in the delivered condition		Possible change	
88:0	Temperature display in °C (Celsius)	88:1	Temperature display in °F (Fahrenheit)
8A:175	Never adjust		
8F:0	Control in standard menu and extended menu enabled  <b>Note</b> <i>The respective code is only activated when you exit the service menu.</i>	8F:1	Control in standard menu <b>and</b> in extended menu is locked. Emissions test mode can be enabled.
		8F:2	Control in standard menu is enabled, but locked in extended menu. Emissions test mode can be enabled.
90:128	Time constant for calculating adjusted outside temperature 21.3 h	90:1 to 90:199	Subject to the set value, the flow temperature is adjusted quickly (low values) or slowly (high values) when the outside temperature changes; 1 step $\pm$ 10 min
94:0	Without OpenTherm extension	94:1	With OpenTherm extension (automatic recognition)
95:0	Without Vitocom 100 communication interface	95:1	With Vitocom 100 communication interface (automatic recognition)
97:0	With LON communication module: Outside temperature of the sensor connected to the control unit is utilised internally (only for weather-compensated control units)	97:1	Control unit receives outside temperature
		97:2	The control unit transmits the outside temperature to the Vitotronic 200-H
98:1	Viessmann system number (in conjunction with monitoring of several systems via Vitocom 300)	98:1 to 98:5	System number adjustable from 1 to 5
99:0	Do not adjust		
9A:0	Do not adjust		
9b:70	Set flow temperature for external demand 70 °C	9b:0 to 9b:127	Set flow temperature for external demand adjustable from 0 to 127 °C (limited by boiler-specific parameters)
9C:20	Monitoring LON subscribers. If a subscriber fails to respond, the control unit's internal default values will be used after 20 min. Only then will a fault message be issued. (only for weather-compensated control units)	9C:0	No monitoring
		9C:5 to 9C:60	Time adjustable from 5 to 60 min
9F:8	Differential temperature 8 K; only in conjunction with mixer circuit (only for weather-compensated control units)	9F:0 to 9F:40	Differential temperature adjustable from 0 to 40 K

## Boiler/group "2"

Select "**Boiler**" for weather-compensated control units (see page 55).

Select "**2**" for constant temperature control unit (see page 55).

## Boiler/group "2" (cont.)

## Coding

Coding in the delivered condition		Possible change	
01:1	Single boiler system (only for constant temperature control units)	01:2	Multi boiler system with Vitotronic 300-K
04:1	Minimum burner pause time subject to the boiler load (specified by boiler coding card)	04:0	Minimum burner pause time set permanently (specified by boiler coding card)
06:...	Maximum limit of the boiler water temperature, specified in °C by the boiler coding card	06:20 to 06:127	Maximum limit of the boiler water temperature within the ranges specified by the boiler
07:1	Boiler number in multi boiler systems (only for constant temperature control units)	07:2 to 07:8	Boiler number 2 to 8 in multi boiler systems
08:...	Maximum burner heating output in kW in the case of a multi boiler system	08:0 to 08:199	Maximum burner heating output adjustable from 0 to 199 kW (limited by boiler-specific parameters) in steps of 1 kW
0d:0	Never adjust		
0E:0	Never adjust		
13:1	Never adjust		
14:1	Never adjust		
15:1	Never adjust		
21:0	No service interval set (in hours run)	21:1 to 21:100	The number of hours run before the burner should be serviced is adjustable from 100 to 10,000 h One step $\hat{=}$ 100 h
23:0	No time set for burner service interval	23:1 to 23:24	Time interval adjustable from 1 to 24 months
24:0	"Service" not shown on the display	24:1	"Service" is shown on the display (address is automatically set and must be manually reset after a service has been carried out)
28:0	No burner interval ignition	28:1 to 28:24	Interval adjustable from 1 h to 24 h. The burner is force-started for 30 s (only when operating with LPG).
2E:0	Do not adjust		
2F:0	Venting program/fill program inactive	2F:1	Venting program active
		2F:2	Fill program active
30:3	Boiler circuit pump variable speed via 0-10 V interface	30:0	<ul style="list-style-type: none"> <li>▪ Connection of multi-stage boiler circuit pump</li> <li>▪ Operation with low loss header (single or multi boiler system)</li> </ul>
		30:1	Boiler circuit pump variable speed
		30:2	Boiler circuit pump variable speed with flow rate
31:...	Set speed in % of the circulation pump when operated as boiler circuit pump, specified by the coding card	31:0 to 31:100	Set speed adjustable from 0 to 100 %
38:0	Status of burner control unit: Operational (no fault)	38:≠0	Status of burner control unit: Fault

**DHW/group "3"**

Select **"DHW"** for weather-compensated control unit (see page 55).

Select **"3"** for constant temperature control unit (see page 55).

**Coding**

Coding in the delivered condition		Possible change	
56:0	Set DHW temperature adjustable from 10 to 60 °C	56:1	Set DHW temperature adjustable from 10 to over 60 °C  <b>Note</b> Max. value subject to boiler coding card. Observe the maximum permissible DHW temperature.
58:0	Without auxiliary function for DHW heating	58:10 to 58:60	Input of a 2nd set DHW temperature, adjustable from 10 to 60 °C (observe coding addresses "56" and "63")
59:0	Cylinder heating: Start point -2.5 K Stop point +2.5 K	59:1 to 59:10	Start point adjustable from 1 to 10 K below the set value
5b:0	DHW cylinder directly connected to the boiler	5b:1	DHW cylinder connected downstream of the low loss header
5E:0	Circulation pump for cylinder heating stays in control mode at "External blocking" signal	5E:1	Circulation pump for cylinder heating stops at "External blocking" signal
		5E:2	Circulation pump for cylinder heating starts at "External blocking" signal
5F:0	Circulation pump for cylinder heating stays in control mode at "External demand" signal	5F:1	Circulation pump for cylinder heating stops at "External demand" signal
		5F:2	Circulation pump for cylinder heating starts at "External demand" signal
60:20	During DHW heating, the boiler water temperature is max. 20 K higher than the set DHW temperature	60:5 to 60:25	Differential between the boiler water temperature and the set DHW temperature adjustable from 5 to 25 K
62:2	Circulation pump with 2 min run-on time after cylinder heating	62:0	No circulation pump run-on
		62:1 to 62:15	Run-on time adjustable from 1 to 15 min
63:0	Without auxiliary function for DHW heating (only for constant temperature control units)	63:1	Auxiliary function: 1 x daily
		63:2 to 63:14	Every 2 days to every 14 days
		63:15	2 x daily
65:0	Never adjust		
67:40	For solar DHW heating: Set DHW temperature 40 °C. Reheating is suppressed above the selected set temperature (boiler starts as back-up if the rise in the cylinder temperature is too low).	67:0 to 67:95	Set DHW temperature adjustable from 0 to 95 °C (limited by boiler-specific parameters)
6F:...	Max. heating output for DHW heating in %; defaulted by the boiler coding card	6F:0 to 6F:100	Max. heating output for DHW heating adjustable from min. heating output to 100 %

## DHW/group "3" (cont.)

Coding in the delivered condition		Possible change	
71:0	DHW circulation pump: "ON" according to time program (only for weather-compensated control units)	71:1	"OFF" during DHW heating to set value 1
		71:2	"ON" during DHW heating to set value 1
72:0	DHW circulation pump: "ON" according to time program (only for weather-compensated control units)	72:1	"OFF" during DHW heating to set value 2
		72:2	"ON" during DHW heating to set value 2
73:0	DHW circulation pump: "ON" according to time program (only for weather-compensated control units)	73:1 to 73:6	"ON" from once per hour for 5 min up to 6 times per hour for 5 min during the time program
		73:7	Constantly "ON"

## Solar/group "4"

Select **"Solar"** for weather-compensated control unit (see page 55).

Select **"4"** for constant temperature control unit (see page 55).

**Note**

*The solar group is only displayed if a solar control module, type SM1, is connected.*

**Coding**

Coding in the delivered condition		Possible change	
00:8	Start temperature differential for solar circuit pump 8 K.	00:2 to 00:30	Start temperature differential adjustable from 2 to 30 K.
01:4	Stop temperature differential for solar circuit pump 4 K.	01:1 to 01:29	Stop temperature differential adjustable from 1 to 29 K.
02:0	Solar circuit pump is not speed-controlled.	02:1	Solar circuit pump is speed-controlled with wave packet control.
		02:2	Solar circuit pump is speed-controlled with PWM control.
03:10	Temperature differential for the start of the speed control 10 K.	03:5 to 03:20	Temperature differential adjustable from 5 to 20 K.
04:4	Controller amplification of speed control 4 %/K.	04:1 to 04:10	Controller amplification adjustable from 1 to 10 %/K.
05:10	Min. speed of solar circuit pump 10 % of maximum speed.	05:2 to 05:100	Min. speed of the solar circuit pump is adjustable from 2 to 100 %.
06:75	Max. speed of solar circuit pump 75 % of the maximum possible speed.	06:1 to 06:100	Max. speed of the solar circuit pump is adjustable from 1 to 100 %.
07:0	Interval function of solar circuit pump switched off.	07:1	Interval function of solar circuit pump switched on. To capture the collector temperature more accurately, the solar circuit pump periodically starts for a short duration.

**Solar/group "4"** (cont.)

Coding in the delivered condition		Possible change	
08:60	Set DHW temperature (maximum cylinder temperature) 60 °C.	08:10 to 08:90	Set DHW temperature adjustable from 10 to 90 °C.
09:130	Maximum collector temperature (to protect system components) 130 °C.	09:20 to 09:200	Temperature adjustable from 20 to 200 °C.
0A:5	Temperature differential for stagnation time reduction (reduction in the speed of the solar circuit pump to protect system components and heat transfer medium) 5 K.	0A:0	Stagnation time reduction not active.
		0A:1 to 0A:40	Temperature differential adjustable from 1 to 40 K.
0b:0	Frost protection function for solar circuit switched off.	0b:1	Frost protection function for solar circuit switched on (not required with Viessmann heat transfer medium).
0C:1	Delta T monitoring switched on. No flow rate captured in the solar circuit, or flow rate too low.	0C:0	Delta T monitoring switched off.
0d:1	Night circulation monitoring switched on. Unintentional flow rate is captured in the solar circuit (e.g. at night).	0d:0	Night circulation monitoring switched off.
0E:1	Heat statement in conjunction with Viessmann heat transfer medium.	0E:2	Never adjust
		0E:0	No heat statement.
0F:70	Solar circuit flow rate at the maximum pump speed 7 l/min.	0F:1 to 0F:255	Flow rate adjustable from 0.1 to 25.5 l/min. 1 step $\approx$ 0.1 l/min
10:0	Target temperature control switched off (see coding address "11").	10:1	Target temperature control switched on.
11:50	Set solar DHW temperature 50 °C. <ul style="list-style-type: none"> <li>▪ Target temperature control switched on (code "10:1"): Temperature at which the solar heated water is to be stratified into the DHW cylinder.</li> <li>▪ If code "20:9" (heating of two DHW cylinders) is set: When one DHW cylinder reaches its set DHW temperature, the second DHW cylinder is heated.</li> </ul>	11:10 to 11:90	The set solar DHW temperature is adjustable from 10 to 90 °C.
12:10	Minimum collector temperature (minimum start temperature for the solar circuit pump) 20 °C.	12:0	No minimum limit enabled.
		12:1 to 12:90	Minimum collector temperature adjustable from 1 to 90 °C.
20:0	No extended control function enabled.	20:1	Additional function for DHW heating.
		20:2	Differential temperature control 2.
		20:3	Differential temperature control 2 and auxiliary function.
		20:4	Differential temperature control 2 for central heating backup.
		20:5	Thermostat function.
		20:6	Thermostat function and auxiliary function.



## Solar/group "4" (cont.)

Coding in the delivered condition		Possible change	
		20:7	Solar heating via external heat exchanger without additional temperature sensor.
		20:8	Solar heating via external heat exchanger with additional temperature sensor.
		20:9	Solar heating of two DHW cylinders.
22:8	Start temperature differential with central heating backup (code "20:4" must be set) 8 K.	22:2 to 22:30	Start temperature differential adjustable from 2 to 30 K.
23:4	Stop temperature differential with central heating backup (code "20:4" must be set) 4 K.	23:2 to 23:30	Stop temperature differential adjustable from 1 to 29 K.
24:40	Start temperature for thermostat function (code "20:5" or "20:6" must be selected) 40 °C.	24:0 to 24:100	Start temperature for thermostat function adjustable from 0 to 100 K.
25:50	Stop temperature for thermostat function (code "20:5" or "20:6" must be selected) 50 °C.	25:0 to 25:100	Stop temperature for thermostat function adjustable from 0 to 100 K.
26:1	Priority for DHW cylinder 1 <b>with</b> cyclical heating. (code "20:9" must be set).	26:0	Priority for DHW cylinder 1 <b>without</b> cyclical heating.
		26:2	Priority for DHW cylinder 2 <b>without</b> cyclical heating.
		26:3	Priority for DHW cylinder 2 <b>with</b> cyclical heating.
		26:4	Cyclical heating without priority for either DHW cylinder.
27:15	Cyclical heating time 15 min. Once the DHW cylinder with priority is heated up, the DHW cylinder without priority is heated for a maximum duration equal to the set cyclical heating time.	27:5 to 27:60	The cyclical heating time is adjustable from 5 to 60 min.
28:3	Cyclical pause time 3 min. After the set cyclical heating time for the DHW cylinder without priority has expired, the rise in collector temperature is captured during the cyclical pause time.	28:1 to 28:60	Cyclical pause time is adjustable from 1 to 60 min.

## Heating circuit 1, heating circuit 2, heating circuit 3/group "5"

Select "**Heating circuit ...**" for weather-compensated control unit (see page 55).

Select "**5**" for constant temperature control unit (see page 55).

## Coding

Coding in the delivered condition		Possible change	
A0:0	Without remote control	A0:1	With Vitotrol 200-A/200-RF (automatic recognition)
		A0:2	With Vitotrol 300-A/300-RF or Vito-comfort (automatic recognition)

## Heating circuit 1, heating circuit 2, heating... (cont.)

Coding in the delivered condition		Possible change	
A1:0	All possible settings at the remote control can be accessed	A1:1	Only party mode can be set at the remote control (only for Vitotrol 200-A and 200-RF)
A2:2	Cylinder priority applicable to heating circuit pump and mixer	A2:0	Without cylinder priority applicable to heating circuit pump and mixer
		A2:1	Cylinder priority only applicable to mixer
		A2:3 to A2:15	Reduced priority applicable to mixer (the heating circuit receives a reduced amount of energy)
A3:2	Outside temperature below 1 °C: Heating circuit pump "ON" Outside temperature above 3 °C: Heating circuit pump "OFF"	A3:-9 to A3:15	Heating circuit pump "ON/OFF" (see the following table)

- !** **Please note**  
 When selecting a value below 1 °C, there is a risk of pipes outside the thermal envelope of the building freezing up.  
 The standby mode in particular should be taken into consideration, e.g. during holidays.

Parameter address A3:...	Heating circuit pump	
	"ON"	"OFF"
-9	-10 °C	-8 °C
-8	-9 °C	-7 °C
-7	-8 °C	-6 °C
-6	-7 °C	-5 °C
-5	-6 °C	-4 °C
-4	-5 °C	-3 °C
-3	-4 °C	-2 °C
-2	-3 °C	-1 °C
-1	-2 °C	0 °C
0	-1 °C	1 °C
1	0 °C	2 °C
2 to 15	1 °C to 14 °C	3 °C to 16 °C

Coding in the delivered condition		Possible change	
A4:0	With frost protection (only for weather-compensated control units).	A4:1	No frost protection; this setting is only possible if code "A3:-9" has been selected.  <b>Note</b> <i>"Important" observe for code "A3".</i>
A5:5	With heating circuit pump logic function (economy control): Heating circuit pump "OFF" if outside temperature (OT) is 1 K higher than the set room temperature (RT <sub>set</sub> )	A5:0	Without heating circuit pump logic function
		A5:1 to A5:15	With heating circuit pump logic function: Heating circuit pump "OFF"; see following table

## Heating circuit 1, heating circuit 2, heating... (cont.)

Coding in the delivered condition		Possible change	
	OT > RT <sub>set</sub> + 1 K (only for weather-compensated control units)		
Parameter address A5:...	With heating circuit pump logic function: Heating circuit pump "OFF"		
1	OT > RT <sub>set</sub> + 5 K		
2	OT > RT <sub>set</sub> + 4 K		
3	OT > RT <sub>set</sub> + 3 K		
4	OT > RT <sub>set</sub> + 2 K		
5	OT > RT <sub>set</sub> + 1 K		
6	OT > RT <sub>set</sub>		
7	OT > RT <sub>set</sub> - 1 K		
to			
15	OT > RT <sub>set</sub> - 9 K		

Coding in the delivered condition		Possible change	
A6:36	Extended economy control <b>disabled</b> (only for weather-compensated control units)	A6:5 to A6:35	Extended economy control enabled, i.e. the burner and heating circuit pump will stop and the mixer close at a variable value, adjustable between 5 and 35 °C plus 1 °C. The basis for this is the adjusted outside temperature. This is based on the actual outside temperature and a time constant, which takes into account the cooling down of an average building.
A7:0	Without mixer economy function (only for weather-compensated control units and heating circuits with mixer)	A7:1	With mixer economy function (extended heating circuit pump logic): Heating circuit pump also "OFF": <ul style="list-style-type: none"> <li>▪ If the mixer has been attempting to close for longer than 20 min.</li> </ul> Heating circuit pump "ON": <ul style="list-style-type: none"> <li>▪ If the mixer changes to control function</li> <li>▪ If there is a risk of frost</li> </ul>
A8:1	Heating circuit with mixer creates a demand for the boiler circuit pump (only for weather-compensated control units)	A8:0	Heating circuit with mixer creates no demand for the boiler circuit pump
A9:7	With pump idle time: Heating circuit pump "OFF" if the set value is altered through a change in operating mode or through a change in the set room temperature (only for weather-compensated control units)	A9:0	Without pump idle time
		A9:1 to A9:15	With pump idle time, adjustable from 1 to 15. The higher the value, the longer the pump idle time.
b0:0	With remote control: Heating mode/reduced mode: weather-compensated (only for weather-compensated control units; change the code only for the heating circuit with mixer)	b0:1	Heating mode: weather-compensated Reduced mode: with room temperature hook-up
		b0:2	Heating mode: with room temperature hook-up

## Heating circuit 1, heating circuit 2, heating... (cont.)

Coding in the delivered condition		Possible change	
			Reduced mode: weather-compensated
		b0:3	Heating mode/reduced mode: with room temperature hook-up
b2:8	With remote control and for the heating circuit, operation with room temperature hook-up must be programmed: Room influence factor 8 (only for weather-compensated control units; only change the code for the heating circuit with mixer)	b2:0	Without room influence
		b2:1 to b2:64	Room influence factor adjustable from 1 to 64. The higher the value, the greater the room influence.
b5:0	With remote control: No room temperature-dependent heating circuit pump logic function (only for weather-compensated control units; only change the code for the heating circuit with mixer)	b5:1 to b5:8	For heating circuit pump logic function, see the following table:

Parameter address b5:...	With heating circuit pump logic function:	
	Heating circuit pump "OFF"	Heating circuit pump "ON"
1	$RT_{actual} > RT_{set} + 5\text{ K}$	$RT_{actual} < RT_{set} + 4\text{ K}$
2	$RT_{actual} > RT_{set} + 4\text{ K}$	$RT_{actual} < RT_{set} + 3\text{ K}$
3	$RT_{actual} > RT_{set} + 3\text{ K}$	$RT_{actual} < RT_{set} + 2\text{ K}$
4	$RT_{actual} > RT_{set} + 2\text{ K}$	$RT_{actual} < RT_{set} + 1\text{ K}$
5	$RT_{actual} > RT_{set} + 1\text{ K}$	$RT_{actual} < RT_{set}$
6	$RT_{actual} > RT_{set}$	$RT_{actual} < RT_{set} - 1\text{ K}$
7	$RT_{actual} > RT_{set} - 1\text{ K}$	$RT_{actual} < RT_{set} - 2\text{ K}$
8	$RT_{actual} > RT_{set} - 2\text{ K}$	$RT_{actual} < RT_{set} - 3\text{ K}$

Coding in the delivered condition		Possible change	
C5:20	Electronic minimum flow temperature limit 20 °C (only for weather-compensated control units)	C5:1 to C5:127	Minimum limit adjustable from 1 to 127 °C (limited by boiler-specific parameters)
C6:74	Electronic maximum flow temperature limit 74 °C (only for weather-compensated control units)	C6:10 to C6:127	Maximum limit adjustable from 10 to 127 °C (limited by boiler-specific parameters)
d3:14	Heating curve slope = 1.4	d3:2 to d3:35	Heating curve slope adjustable from 0.2 to 3.5 (see page 41)
d4:0	Heating curve level = 0	d4:-13 to d4:40	Heating curve level adjustable from -13 to 40 (see page 41)
d5:0	The external operating program changeover switches the operating program to "Constant operation with reduced room temperature" or "Standby mode" (only for weather-compensated control units)	d5:1	The external operating program changeover switches to "Constant operation with standard room temperature" (subject to coding address 3A, 3b and 3C)
d6:0	Heating circuit pump stays in control mode at "External blocking" signal	d6:1	Heating circuit pump stops at "External blocking" signal (subject to coding addresses 3A, 3b and 3C)

## Heating circuit 1, heating circuit 2, heating... (cont.)

Coding in the delivered condition		Possible change	
		d6:2	Heating circuit pump starts at "External blocking" signal (subject to coding addresses 3A, 3b and 3C)
d7:0	Heating circuit pump stays in control mode at "External demand" signal	d7:1	Heating circuit pump stops at "External demand" signal (subject to coding addresses 3A, 3b and 3C)
		d7:2	Heating circuit pump starts at "External demand" signal (subject to coding addresses 3A, 3b and 3C)
d8:0	No operating program changeover via EA1 extension	d8:1	Operating program changeover via input DE1 at EA1 extension
		d8:2	Operating program changeover via input DE2 at EA1 extension
		d8:3	Operating program changeover via input DE3 at EA1 extension
E1:1	Never adjust		
E2:50	With remote control: No display correction for the actual room temperature (only for weather-compensated control units)	E2:0 to E2:49	Display correction -5 K to Display correction -0.1 K
		E2:51 to E2:99	Display correction +0.1 K to Display correction +4.9 K
E5:0	Never adjust		
E6:...	Maximum speed of the variable speed heating circuit pump in % of the max. speed in standard mode. Value is specified by boiler-specific parameters (only for weather-compensated control units).	E6:0 to E6:100	Maximum speed adjustable from 0 to 100 %
E7:30	Minimum speed of the variable speed heating circuit pump: 30 % of the max. speed (only for weather-compensated control units)	E7:0 to E7:100	Minimum speed adjustable from 0 to 100 % of the maximum speed
F1:0	Screed drying disabled (only for weather-compensated control units).	F1:1 to F1:6	Screed drying adjustable, with choice of 6 temperature/time profiles (see page 116)
		F1:15	Constant flow temperature 20 °C
F2:8	Time limit for party mode or external heating program changeover via key: 8 h (only for weather-compensated control units) <sup>*1</sup>	F2:0	No time limit for party mode <sup>*1</sup>
		F2:1 to F2:12	Time limit adjustable from 1 to 12 h <sup>*1</sup>
F5:12	Boiler circuit pump run-on time in heating mode: 12 min (only for constant temperature control units)	F5:0	No boiler circuit pump run-on time
		F5:1 to F5:20	Boiler circuit pump run-on time adjustable from 1 to 20 min
F6:25	In "Only DHW" operating mode, the boiler circuit pump is constantly on (only for constant temperature control units)	F6:0	In "Only DHW" mode, the boiler circuit pump is constantly off
		F6:1 to F6:24	In "Only DHW" mode, the boiler circuit pump is started 1 to 24 times per day for 10 min each time.

<sup>\*1</sup> In the "Heating and DHW" program, party mode ends **automatically** when the system changes over to operation with standard room temperature.

### Heating circuit 1, heating circuit 2, heating... (cont.)

Coding in the delivered condition		Possible change	
F7:25	In "Standby mode", the boiler circuit pump is constantly on (only for constant temperature control units)	F7:0	In "Standby mode", the boiler circuit pump is constantly off
		F7:1 to F7:24	In "Standby mode", the boiler circuit pump is started 1 to 24 times per day for 10 min each time.
F8:-5	Temperature limit for terminating the reduced mode -5 °C, see example on page 118. Observe the setting of coding address "A3". (only for weather-compensated control units)	F8:+10 to F8:-60	Temperature limit adjustable from +10 to -60 °C
		F8:-61	Function disabled
F9:-14	Temperature limit for raising the reduced set room temperature -14 °C; see example on page 118 (only for weather-compensated control units).	F9:+10 to F9:-60	Temperature limit for raising the set room temperature to the value selected for standard mode adjustable from +10 to -60 °C
FA:20	Raising the set boiler water temperature or set flow temperature by 20 % when changing from operation with reduced room temperature to operation with standard room temperature. See example on page 118 (only for weather-compensated control units).	FA:0 to FA:50	Temperature rise adjustable from 0 to 50 %
Fb:60	Duration for raising the set boiler water temperature or set flow temperature (see coding address "FA") 60 min. See example on page 118 (only for weather-compensated control units).	Fb:0 to Fb:150	Duration adjustable from 0 to 300 min; 1 step $\triangleq$ 2 min

**Service level**

**Weather-compensated control unit**

**Constant temperature control unit**

**Calling up the service level**

Service menu:  
 1. Press **OK** and **≡** simultaneously for approx. 4 s.  
 2. Select required menu. See the following diagram.

Service menu:  
 1. Press **OK** and **≡** simultaneously for approx. 4 s.  
 "P" flashes on the display.  
 2. Select required function. See the following pages.

**Exiting the service level**

Service menu:  
 1. Select **"Terminate service?"**.  
 2. Select **"Yes"**.  
 3. Confirm with **OK**.

Service menu:  
 1. Select **"Serv"** ⑦ with **▶**.  
 2. Confirm with **OK**.  
 "OFF" flashes.  
 3. Confirm with **OK**.

**Note**

*The system exits the service level automatically after 30 min.*

**Note**

*The system exits the service level automatically after 30 min.*

Overview of service menu for weather-compensated mode

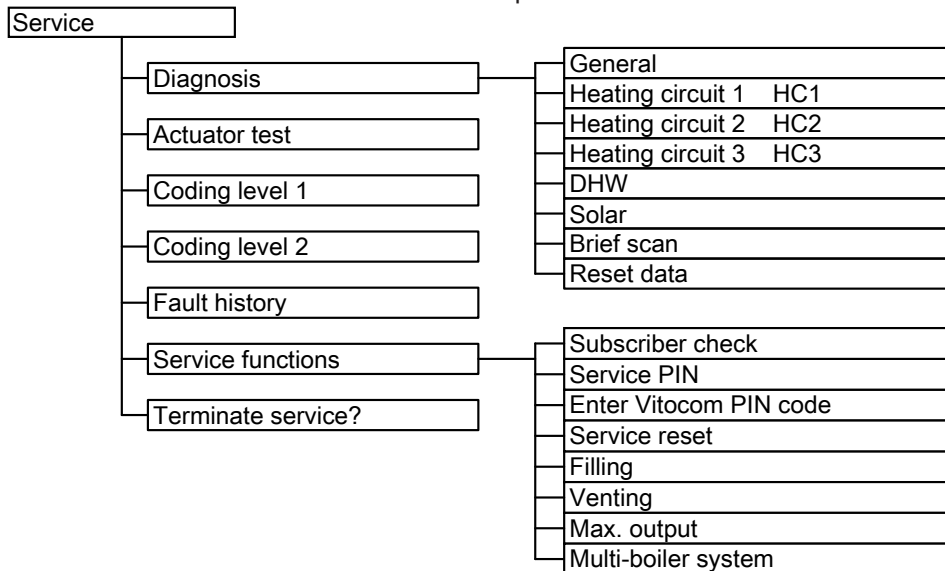


Fig. 40

**Note**

*Do not adjust menu item "Multi-boiler system".  
 The menu item turns a weather-compensated control unit into a constant temperature control unit.*

**Diagnosis**

**Operating data**

**Weather-compensated control unit**

**Constant temperature control unit**

**Calling up operating data**

- Operating data can be scanned in six areas. See "**Diagnosis**" in the service menu overview.
- Operating data on heating circuits with mixers and solar can only be called up if the components are installed in the system.
- For further information on operating data, see chapter "Brief scan".

- Operating data can be called up in the "i" menu.
- For further information on operating data, see chapter "Brief scan".

**Calling up operating data**

Service menu:

1. Press **OK** and **≡** simultaneously for approx. 4 s.
2. "**Diagnosis**"
3. Select required group, e.g. "**General**".

**Note**

"- - -" appears on the display if a sensor that has been scanned is faulty.

Service menu:

1. Press **OK** and **≡** simultaneously for approx. 4 s.
2. Select required information with **▲/▼**.

**Note**

"- - -" appears on the display if a sensor that has been scanned is faulty.

**Resetting operating data**

Saved operating data (e.g. hours run) can be reset to "0".

The value "Adjusted outside temp" is reset to the actual value.

Service menu:

1. Press **OK** and **≡** simultaneously for approx. 4 s.
2. "**Diagnosis**"
3. "**Reset data**"
4. Select required value (e.g. "**Burner starts**") or "**All details**".

Saved operating data (e.g. hours run) can be reset to "0".

Service menu:

1. Press **OK** and **≡** simultaneously for approx. 4 s.
2. Select required information with **▲/▼**.
3. Confirm with **OK**; "⚡" flashes.
4. Confirm with **OK**; the value is reset.

**Brief scan**

In the brief scan, you can scan temperatures, software versions and connected components, for example.

4. Press **OK**.  
The display shows 9 lines with 6 fields each.

**Weather-compensated control unit**

1. Press **OK** and **≡** simultaneously for approx. 4 s.
2. "**Diagnosis**"
3. "**Brief scan**".

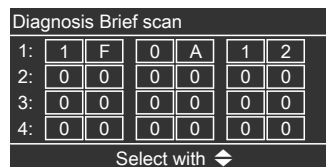


Fig. 41

For an explanation of the relevant values in the individual rows and fields, see the following table:

Row (brief scan)	Field					
	1	2	3	4	5	6
1:	System scheme 01 to 10		Software version Control unit		Software version Programming unit	
2:	0	0	Appliance version		Appliance ID CU-ID	
3:	0		Number of KM BUS subscribers		Software version, solar control module SM1	






**Diagnosis** (cont.)







Row (brief scan)	Field					
	1	2	3	4	5	6
4:	Software version Burner control unit		Type Burner control unit		Burner control unit version	
5:	Internal details for calibration			0	Software version, AM1 extension	Software version, EA1 extension
6:	0	0	0	Flow sensor switching state 1: Flow rate too low or no volumetric flow	0	0
7:	LON Subnet address/system number		LON Node address		0	
8:	LON SBVT configuration	LON Software version, communication coprocessor	LON Software version, neuron chip		Number of LON subscribers	
9:	<b>Heating circuit A1 (without mixer)</b> Remote control 0: Without 1: Vitotrol 200/ 200-A/ 200-RF 2: Vitotrol 300/ 300-A/ 300-RF or Vitohome		<b>Heating circuit M2 (with mixer)</b> Remote control 0: Without 1: Vitotrol 200/ 200-A/ 200-RF 2: Vitotrol 300/ 300-A/ 300-RF or Vitohome		<b>Heating circuit M3 (with mixer)</b> Remote control 0: Without 1: Vitotrol 200/ 200-A/ 200-RF 2: Vitotrol 300/ 300-A/ 300-RF or Vitohome	
10: (Only for KM BUS circulation pumps)	<b>Internal circulation pump</b> Variable speed pump 0: Without 1: Wilo 2: Grundfos		<b>Heating circuit pump, heating circuit M2</b> Variable speed pump 0: Without 1: Wilo 2: Grundfos		<b>Heating circuit pump, heating circuit M3</b> Variable speed pump 0: Without 1: Wilo 2: Grundfos	
11:	0	0	Software version Mixer extension, heating circuit M2 0: No mixer extension	0	Software version Mixer extension, heating circuit M3 0: No mixer extension	0

**Diagnosis** (cont.)

**Constant temperature control unit**

1. Press **OK** and  simultaneously for approx. 4 s. "P" flashes on the display.
2. Confirm with **OK**.
3. Select the required scan with /. For example, "b" for "Max. output" (see following table):
4. Confirm selected scan with **OK**.

For explanations of individual scans, see the following table:

Brief scan	Display				
					
0		System scheme 1 to 2	Software version Control unit	Software version Programming unit	
1			Adjusted outside temperature		
3			Set boiler water temperature		
4			Common demand temperature		
5			Set cylinder temperature		
6		Number of KM BUS subscribers	Number of LON subscribers		
7	SNVT configuration 0: Auto 1: Tool	Software version Communication coprocessor	Software version LON module		
8		Subnet address/system number	Node address		
9		Burner control unit type	Device type		
A	Diverter valve status 0: Not installed 1: Heating 2: Central position 3: DHW heating	Flow rate 1: Flow rate too low or no volumetric flow	Max. heating output in %		
b		Boiler coding card (hexadecimal)			
c		Flow rate (specified in l/h)			
C		Version Device	Version Burner control unit		
d				0	0
E ①	Software version Solar control module, type SM1	Software version Burner control unit			Software version Cascade module
F ①	Code 53 setting	Internal details for calibration			
		<b>AM1 extension</b>			
F ②	Software version	Output A1 configuration (value corresponds to code 33 setting)	Output A1 switching state 0: OFF 1: ON	Output A2 configuration (value corresponds to code 34 setting)	Output A2 switching state 0: OFF 1: ON
		<b>EA1 extension</b>			

**Diagnosis** (cont.)

Brief scan	Display				
F ③	Output 157 configuration (value corresponds to setting of code 36 in group 1 "General")	Output 157 switching state 0: OFF 1: ON	Input DE1 switching state 0: open 1: closed	Input DE2 switching state 0: open 1: closed	Input DE3 switching state 0: open 1: closed
F ④	Software version		External hook-up 0 - 10 V Display in %		
<b>Solar control module SM1</b>					
F ⑤	Stagnation time of the solar thermal system in h				
F ⑥	Night circulation, solar thermal system (number)				
F ⑦	Differential temperature monitoring				
F ⑧				Solar central heating backup 0: disabled 1: enabled	Output 22 switching state 0: OFF 1: ON
<b>OpenTherm extension (if installed)</b>					
F ⑨	Software version	DHW heating status	External hook-up 0 - 10 V Display in %		

**Checking outputs (relay test)**

**Weather-compensated control unit**

1. Press **OK** and simultaneously for approx. 4 s.
2. **"Actuator test"**

The following relay outputs can be controlled subject to system design:

Display	Explanation
All actuators Off	All actuators are off
Base load On	Burner operated at minimum output; circulation pump is started
Full load On	Burner operated at maximum output; circulation pump is started
Output, internal On	Output  active (boiler circuit pump)
Output 21/28 On	Output  active (circulation pump for cylinder heating)
Heating circ pump HC2 On	Heating circuit pump output enabled (extension to heating circuit with mixer)
Mixer HC2 Open	"Mixer open" output enabled (extension to heating circuit with mixer)
Mixer HC2 Close	"Mixer close" output enabled (extension to heating circuit with mixer)
Heating circ pump HC3 On	Heating circuit pump output enabled (extension to heating circuit with mixer)
Mixer HC3 Open	"Mixer open" output enabled (extension to heating circuit with mixer)
Mixer HC3 Close	"Mixer close" output enabled (extension to heating circuit with mixer)
Outp. int. exten. H1 On	Output at internal extension enabled
AM1 output 1 On	Output A1 at extension AM1 enabled
AM1 output 2 On	Output A2 at extension AM1 enabled

**Checking outputs (relay test) (cont.)**

Display		Explanation
EA1 output 1	On	Contact P - S at plug <span style="border: 1px solid black; padding: 0 2px;">157</span> of extension EA1 closed
Solar circuit pump	On	Solar circuit pump output <span style="border: 1px solid black; padding: 0 2px;">24</span> on solar control module SM1 active
Solar circ pmp min	On	Solar circuit pump output on solar control module SM1 switched to minimum speed
Solar circ pmp max	On	Solar circuit pump output on solar control module SM1 switched to maximum speed
SM1 output 22	On	Output <span style="border: 1px solid black; padding: 0 2px;">22</span> on solar control module SM1 active

**Constant temperature control unit**

1. Press **OK** and simultaneously for approx. 4 s. "" flashes on the display.
2. Select "" with and confirm with **OK**.
3. Select required actuator (output) with / (see following table):
4. Confirm selected actuator with **OK**. The display shows the number for the activated actuator and "**ON**".

**The following actuators (relay outputs) can be controlled subject to system design:**

Display	Explanation
0	All actuators are off
1	Burner operated at minimum output; circulation pump is started
2	Burner operated at maximum output; circulation pump is started
3	Output <span style="border: 1px solid black; padding: 0 2px;">20</span> active (boiler circuit pump)
10	Internal extension output enabled
15	Solar circuit pump output <span style="border: 1px solid black; padding: 0 2px;">24</span> on solar control module SM1 active
16	Solar circuit pump output on solar control module SM1 switched to minimum speed
17	Solar circuit pump output on solar control module SM1 switched to maximum speed
18	Output <span style="border: 1px solid black; padding: 0 2px;">22</span> on solar control module SM1 active
19	Contact P - S at plug <span style="border: 1px solid black; padding: 0 2px;">157</span> of extension EA1 closed
20	Output A1 at extension AM1 enabled
21	Output A2 at extension AM1 enabled
22	Output <span style="border: 1px solid black; padding: 0 2px;">21</span> active (circulation pump for cylinder heating)

## Fault display

### Weather-compensated control unit

In the event of a fault, red fault indicator (A) flashes. "△" flashes on the display and "Fault" is shown.

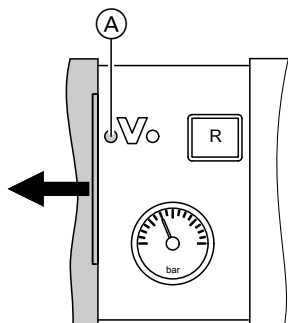


Fig. 42

The fault code is displayed with **OK**. For an explanation of the fault code, see the following pages. For some faults, the type of fault is also displayed in plain text.

#### Acknowledging a fault

Follow the instructions on the display.

#### Note

- The fault message is transferred to the standard menu.
- Any fault message facility, if connected, will be switched off.
- If an acknowledged fault is not remedied, the fault message will be re-displayed the following day and the fault message facility restarted.

### Constant temperature control unit

In the event of a fault, red fault indicator (A) flashes. The two-digit fault code and (subject to the type of fault) "△" or "⬆" flash on the programming unit display.

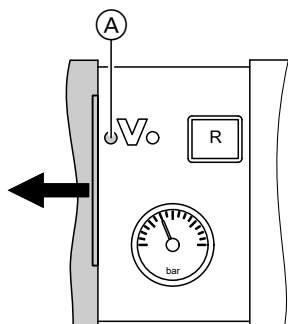


Fig. 43

Other current faults can be displayed with ▲/▼. For an explanation of the fault codes, see the following pages.

#### Calling up acknowledged faults

Select **"Fault"** in the standard menu. The current faults will be displayed in a list.

#### Calling up fault codes from the fault memory (fault history)

The 10 most recent faults (including resolved ones) are saved and can be scanned. Faults are sorted by date.

1. Press **OK** and **≡**: simultaneously for approx. 4 s.
2. **"Fault history"**
3. **"Display?"**

#### Deleting fault history

1. Press **OK** and **≡**: simultaneously for approx. 4 s.
2. **"Fault history"**
3. **"Delete?"**

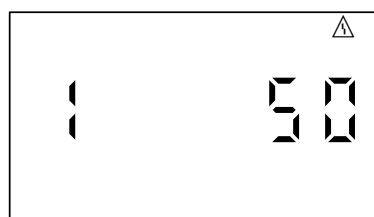


Fig. 44 Example: Fault code "50"

#### Acknowledge a fault

Press **OK**; the standard display is shown again. A fault message facility, if connected, will be switched OFF.

If an acknowledged fault is not remedied, the fault message will be re-displayed the following day and the fault message facility restarted.




## Fault display (cont.)

### Calling up acknowledged faults


Press **OK** for approx. 4 s.  
The 10 most recent faults (including resolved ones) are saved and can be called up.

### Calling up fault codes from the fault memory (fault history)


The 10 most recent faults (including those remedied) are saved and can be called up.  
Faults are sorted by date.

1. Press **OK** and  simultaneously for approx. 4 s.
2. Select "" and activate fault history with **OK**.
3. Select fault messages with .

### Deleting fault history

While the list is displayed, press **OK** until  flashes.  
Confirm with **OK**.

## Fault codes

Fault code displayed	Const.	Weather-comp.	System characteristics	Cause	Measures
10	X	X	Regulates as if the outside temperature were 0 °C	Short circuit, outside temperature sensor	Check outside temperature sensor (see page 86)
18	X	X	Regulates as if the outside temperature were 0 °C	Lead break, outside temperature sensor	Check outside temperature sensor (see page 86)
19	X	X	Regulates as if the outside temperature were 0 °C	Communication interruption, outside temperature sensor RF (outside temperature sensor RF, KM BUS to wireless base station, wireless base station or wireless repeater faulty or defective)	<p>Check wireless connection (place outside temperature sensor RF and wireless repeater close to the boiler). Check KM BUS to wireless base station. Log off outside temperature sensor and wireless repeater, then log them on again.</p> <p> Wireless base station</p> <p>Replace outside temperature sensor RF. Replace wireless repeater. Replace wireless base station.</p>
1A	X	X	Burner blocked	Flow sensor 1, left (plug 163) faulty	Replace sensor (see page 88)
1b	X	X	Burner blocked	Flow sensor 2, right (plug 163A) faulty	Replace sensor (see page 88)
1F	X	X	Burner blocked	Differential flow rate too large	Clean heat exchanger by flushing.
20	X	X	Regulates without flow temperature sensor (low loss header)	Short circuit, system flow temperature sensor	Check low loss header sensor (see page 87)

**Fault codes** (cont.)

Fault code displayed	Const.	Weather-comp.	System characteristics	Cause	Measures
28	X	X	Regulates without flow temperature sensor (low loss header)	Lead break, system flow temperature sensor	Check low loss header sensor (see page 87) If no low loss header sensor is connected, set code 52:0.
30	X	X	Burner blocked	Short circuit, boiler water temperature sensor	Check boiler water temperature sensors (see page 87)
38	X	X	Burner blocked	Lead break, boiler water temperature sensor	Check boiler water temperature sensors (see page 87)
40		X	Mixer closes	Short circuit, flow temperature sensor, heating circuit 2 (with mixer)	Check flow temperature sensor (see page 91)
44		X	Mixer closes	Short circuit, flow temperature sensor, heating circuit 3 (with mixer)	Check flow temperature sensor (see page 91)
48		X	Mixer closes	Lead break, flow temperature sensor, heating circuit 2 (with mixer)	Check flow temperature sensor (see page 91)
4C		X	Mixer closes	Lead break, flow temperature sensor, heating circuit 3 (with mixer)	Check flow temperature sensor (see page 91)
50	X	X	No DHW heating by the boiler	Short circuit, cylinder temperature sensor	Check cylinder temperature sensor (see page 87)
58	X	X	No DHW heating	No DHW heating by the boiler	Check cylinder temperature sensor (see page 87)
90	X	X	Control mode	Short circuit, temperature sensor <span style="border: 1px solid black; padding: 0 2px;">7</span>	Check sensor <span style="border: 1px solid black; padding: 0 2px;">7</span> on solar control module.
91	X	X	Control mode	Short circuit, temperature sensor <span style="border: 1px solid black; padding: 0 2px;">10</span>	Check sensor <span style="border: 1px solid black; padding: 0 2px;">10</span> on solar control module.
92	X	X	No solar DHW heating	Short circuit, collector temperature sensor	Check temperature sensor <span style="border: 1px solid black; padding: 0 2px;">6</span> on solar control module or sensor on the Vitosolic.
93	X	X	Control mode	Short circuit, collector return temperature sensor	Check temperature sensor at connection S3 on the Vitosolic.
94	X	X	No solar DHW heating	Short circuit, cylinder temperature sensor	Check temperature sensor <span style="border: 1px solid black; padding: 0 2px;">5</span> on solar control module or sensor on the Vitosolic.
98	X	X	Control mode	Lead break, temperature sensor <span style="border: 1px solid black; padding: 0 2px;">7</span>	Check sensor <span style="border: 1px solid black; padding: 0 2px;">7</span> on solar control module.
99	X	X	Control mode	Lead break, temperature sensor <span style="border: 1px solid black; padding: 0 2px;">10</span>	Check sensor <span style="border: 1px solid black; padding: 0 2px;">10</span> on solar control module.



**Fault codes** (cont.)

Fault code displayed	Const.	Weather-comp.	System characteristics	Cause	Measures
9A	X	X	No solar DHW heating	Lead break, collector temperature sensor	Check temperature sensor <b>6</b> on solar control module or sensor on the Vitosolic.
9b	X	X	Control mode	Lead break, collector return temperature sensor	Check temperature sensor at connection S3 on the Vitosolic.
9C	X	X	No solar DHW heating	Lead break, cylinder temperature sensor	Check temperature sensor <b>5</b> on solar control module or sensor on the Vitosolic.
9E	X	X	Control mode	No flow rate in solar circuit or flow rate too low, or temperature limiter has responded	Check solar circuit pump and solar circuit. Acknowledge fault message.
9F	X	X	Control mode	Solar control module or Vitosolic fault	Replace solar control module or Vitosolic
A3		X	Burner blocked.	Flue gas temperature sensor incorrectly positioned.	Fit flue gas temperature sensor correctly (see page 89).
A4		X	Control mode	Max. system pressure exceeded	Check system pressure (max. system pressure 6 bar). Check the function and sizing of the diaphragm expansion vessel. Vent the heating system.
A7		X	Control mode as per delivered condition	Programming unit faulty	Replacing programming unit
b0	X	X	Burner blocked	Short circuit, flue gas temperature sensor	Checking flue gas temperature sensor
b1	X	X	Control mode as per delivered condition	Communication error, programming unit	Checking connections and replacing programming unit if required
b5	X	X	Control mode as per delivered condition	Internal fault	Replacing the control unit
b7	X	X	Burner blocked	Boiler coding card fault	Plugging in boiler coding card or replacing if faulty
b8	X	X	Burner blocked	Lead break, flue gas temperature sensor	Checking flue gas temperature sensor
bA		X	Mixer regulates to 20 °C flow temperature	Communication error, extension kit for heating circuit 2 (with mixer)	Check extension kit connections and code.
bb		X	Mixer regulates to 20 °C flow temperature	Communication error, extension kit for heating circuit 3 (with mixer)	Check extension kit connections and code.



**Fault codes** (cont.)

Fault code displayed	Const.	Weather-comp.	System characteristics	Cause	Measures
bC		X	Control mode without remote control	Communication error, Vitotrol remote control, heating circuit 1 (without mixer)	Check connections, cable, coding address "A0" in <b>"Heating circuit"</b> group and remote control DIP switches (see page 119). For wireless remote controls: Check radio path connections, place remote control unit and wireless repeater close to the boiler. Check KM BUS connection to wireless base station. Replace wireless components.
bd		X	Control mode without remote control	Communication error, Vitotrol remote control, heating circuit 2 (with mixer)	Check connections, cable, coding address "A0" in <b>"Heating circuit"</b> group and remote control settings (see page 119). For wireless remote controls: Check radio path connections, place remote control unit and wireless repeater close to the boiler. Check KM BUS connection to wireless base station. Replace wireless components.
bE		X	Control mode without remote control	Communication error, Vitotrol remote control, heating circuit 3 (with mixer)	Check connections, cable, coding address "A0" in <b>"Heating circuit"</b> group and remote control settings (see page 119). For wireless remote controls: Check radio path connections, place remote control unit and wireless repeater close to the boiler. Check KM BUS connection to wireless base station. Replace wireless components.
bF		X	Control mode	Incorrect LON communication module	Replacing LON communication module
C1	X	X	Control mode	Communication error, EA1 extension	Checking connections
C2	X	X	Control mode	Communication error, solar control module or Vitosolic	Check solar control module or Vitosolic
C3	X	X	Control mode	Communication error, AM1 extension	Checking connections



**Fault codes** (cont.)

Fault code displayed	Const.	Weather-comp.	System characteristics	Cause	Measures
C4	X	X	Control mode	Communication error, OpenTherm extension	Checking OpenTherm extension
C5	X	X	Control mode, max. pump speed	Communication error, variable speed pump	Check pump KM BUS
Cd	X	X	Control mode	Communication error, Vitocom 100 (KM BUS)	Check connections, Vitocom 100 and coding address "95" in group <b>"General"/1</b>
CF		X	Control mode	Communication error, LON communication module	Replacing LON communication module
d6	X	X	Control mode	Input DE1 at EA1 extension reports a fault	Removing fault at appliance concerned
d7	X	X	Control mode	Input DE2 at EA1 extension reports a fault	Removing fault at appliance concerned
d8	X	X	Control mode	Input DE3 reports a fault at EA1 extension	Removing fault at appliance concerned
dA		X	Control mode without room influence	Short circuit, room temperature sensor, heating circuit 1 (without mixer)	Checking room temperature sensor, heating circuit 1
db		X	Control mode without room influence	Short circuit, room temperature sensor, heating circuit 2 (with mixer)	Checking room temperature sensor, heating circuit 2
dC		X	Control mode without room influence	Short circuit, room temperature sensor, heating circuit 3 (with mixer)	Checking room temperature sensor, heating circuit 3
dd		X	Control mode without room influence	Lead break, room temperature sensor, heating circuit 1 (without mixer)	Check room temperature sensor, heating circuit 1 and remote control settings (see page 108)
dE		X	Control mode without room influence	Lead break, room temperature sensor, heating circuit 2 (with mixer)	Check room temperature sensor, heating circuit 2 and remote control settings (see page 108)
dF		X	Control mode without room influence	Lead break, room temperature sensor, heating circuit 3 (with mixer)	Check room temperature sensor, heating circuit 3 and remote control settings (see page 108)
E0		X	Control mode	External LON subscriber fault	Checking connections and LON subscribers

**Fault codes** (cont.)

Fault code displayed	Const.	Weather-comp.	System characteristics	Cause	Measures
E1	X	X	Burner in a fault state	Ionisation current too high during calibration	Check gap between ionisation electrode and burner gauze assembly (see page 38). In open flue operation, prevent high incidence of dust in the combustion air. Press reset button <b>R</b> .
E2	X	X	Burner in a fault state	Heating water flow rate too low during calibration. Flow switch caused shutdown.	Ensure adequate circulation volume. Check flow switch. Remove scaling and blockages. Press reset button <b>R</b> .
E3	X	X	Burner in a fault state	Heat transfer too low during calibration. Temperature limiter caused shutdown.	Ensure adequate heat transfer. Press reset button <b>R</b> .
E4	X	X	Burner blocked	Fault, supply voltage 24 V	Replace control unit.
E5	X	X	Burner blocked	Flame amplifier fault	Replace control unit.
E7	X	X	Burner in a fault state	Ionisation current too low during calibration	Check ionisation electrode: <ul style="list-style-type: none"> <li>▪ Distance to burner gauze assembly (see page 38)</li> <li>▪ Electrode contamination</li> <li>▪ Connecting lead and plug-in connections</li> </ul> Check flue system; remedy flue gas recirculation if required. Press reset button <b>R</b> .
E8	X	X	Burner in a fault state	Ionisation current lies outside the permissible range	Check gas supply (gas pressure and gas flow switch), gas train and connection pipe. Check assignment of gas type (see page 31).  Check ionisation electrode: <ul style="list-style-type: none"> <li>▪ Distance to burner gauze assembly (see page 38)</li> <li>▪ Electrode contamination</li> </ul> Press reset button <b>R</b> .



**Fault codes** (cont.)

Fault code displayed	Const.	Weather-comp.	System characteristics	Cause	Measures
EA	X	X	Burner in a fault state	Ionisation current outside permissible range during calibration (excessive deviation from previous level)	Check flue system; remedy flue gas recirculation if required. In open flue operation, prevent high incidence of dust in the combustion air. Press reset button <b>R</b> . Following several unsuccessful reset attempts, replace the boiler coding card and press reset button <b>R</b> .
Eb	X	X	Burner in a fault state	Repeated flame loss during calibration	Check gap between ionisation electrode and burner gauze assembly (see page 38). Check assignment of gas type (see page 31). Check flue system; remedy flue gas recirculation if required. Press reset button <b>R</b> .
EC	X	X	Burner in a fault state	Parameter fault during calibration	Press reset button <b>R</b> or Replace boiler coding card and press reset button <b>R</b> .
Ed	X	X	Burner in a fault state	Internal fault	Replace control unit.
EE	X	X	Burner in a fault state	Flame signal at burner start not present or insufficient.	Check gas supply (gas pressure and gas flow switch). Check gas train. Check ionisation electrode and connecting cable.  Check ignition: <ul style="list-style-type: none"> <li>▪ Connecting leads to ignition module and ignition electrode</li> <li>▪ Ignition electrode gap and contamination (see page 38).</li> </ul> Check condensate drain. Press reset button <b>R</b> .

**Fault codes** (cont.)

Fault code displayed	Const.	Weather-comp.	System characteristics	Cause	Measures
EF	X	X	Burner in a fault state	Flame is lost immediately after it has formed (during safety time).	Check gas supply (gas pressure and gas flow switch). Check balanced flue system for flue gas recirculation.  Check ionisation electrode (replace if required): ▪ Distance to burner gauze assembly (see page 38) ▪ Electrode contamination  Press reset button <b>R</b> .
F0	X	X	Burner blocked	Internal fault	Replace control unit.
F1	X	X	Burner in a fault state	Flue gas temperature has exceeded limit.	Check heating system fill level. Vent the system. Press reset button <b>R</b> after flue system has cooled down.
F2	X	X	Burner in a fault state	Boiler water temperature sensor has responded.	Check heating system fill level. Check circulation pump. Vent the system. Check boiler water temperature sensor and connecting cables. Press reset button <b>R</b> .
F3	X	X	Burner in a fault state	Flame signal is already present at burner start.	Check ionisation electrode and connecting cable. Press reset button <b>R</b> .
F6	X	X	Burner in a fault state	Boiler water temperature sensor temperature values vary too widely from one another.	Replace boiler water temperature sensors
F8	X	X	Burner in a fault state	Fuel valve closes too late.	Check gas train. Check both control paths. Press reset button <b>R</b> .
F9	X	X	Burner in a fault state	Fan speed too low during burner start	Check fan, fan connecting cables and power supply to fan; check fan control. Press reset button <b>R</b> .
FA	X	X	Burner in a fault state	Fan idle state not reached	Check fan, fan connecting cables and fan control. Press reset button <b>R</b> .
FC	X	X	Burner in a fault state	Gas train faulty, faulty modulation valve control or flue gas path blocked	Check gas train. Check flue system. Press reset button <b>R</b> .



**Fault codes** (cont.)

Fault code displayed	Const.	Weather-comp.	System characteristics	Cause	Measures
Fd	X	X	Burner in a fault state and additional fault b7 is displayed	Boiler coding card missing	Insert the boiler coding card. Press reset button <b>R</b> . Replace control unit if fault persists.
Fd	X	X	Burner in a fault state	Burner control unit fault	Check ignition electrodes and connecting cables. Check whether a strong interference field (EMC) exists near the appliance. Press reset button <b>R</b> . Replace control unit if fault persists.
FE	X	X	Burner blocked or in a fault state	Boiler coding card or main PCB faulty, or incorrect boiler coding card	Press reset button <b>R</b> . If the fault persists, check the boiler coding card and replace boiler coding card or control unit if necessary.
FF	X	X	Burner blocked or in a fault state	Internal fault or reset button <b>R</b> disabled	Restart the appliance. Replace the control unit if the appliance will not restart.

**Maintenance**

**Checking the outside temperature sensor (weather-compensated control unit)**

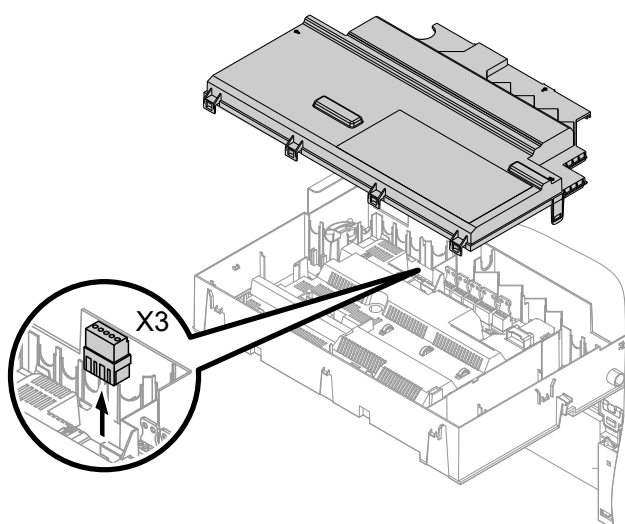


Fig. 45

**Maintenance** (cont.)

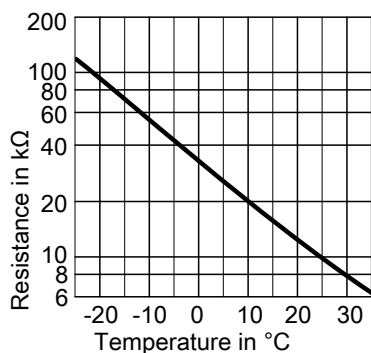


Fig. 46 Sensor type: NTC 10 kΩ

1. Pull plug "X3" from the control unit.
2. Test the resistance of the outside temperature sensor across terminals "X3.1" and "X3.2" on the disconnected plug and compare it with the curve.
3. Where actual values deviate severely from the curve values, disconnect the wires at the sensor and repeat test on the sensor itself.
4. Depending on the result, replace the lead or the outside temperature sensor.

**Checking the boiler water temperature sensors, cylinder temperature sensor or flow temperature sensor for the low loss header**

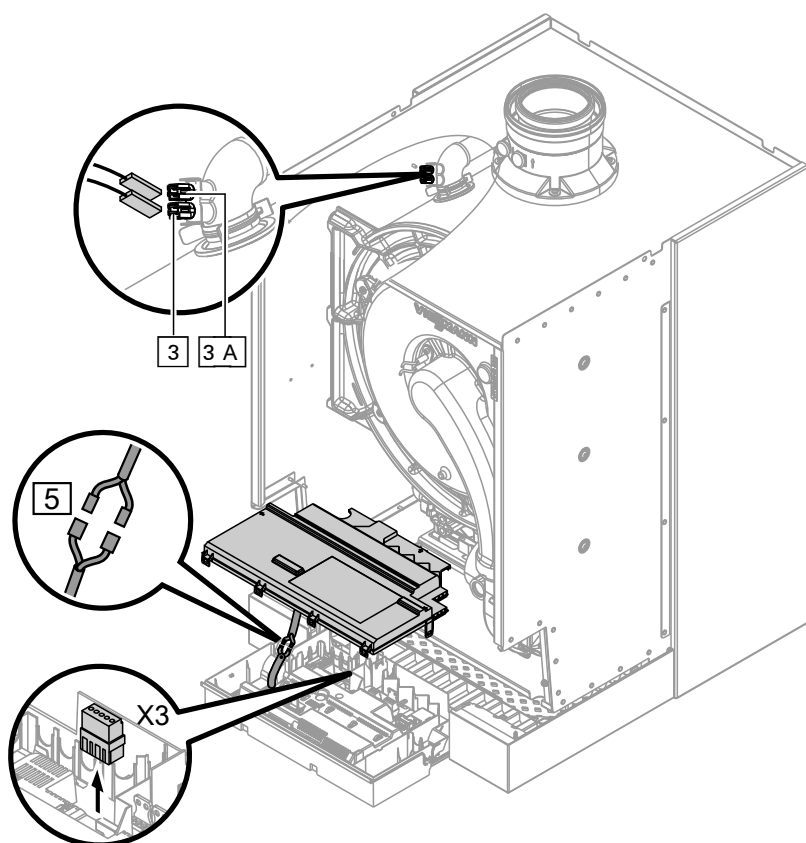


Fig. 47

1.
  - **Boiler water temperature sensors**  
Remove lead to boiler water temperature sensor **3** or **3A** and check the resistance.
  - **Cylinder temperature sensor**  
Pull plug **5** from the cable harness at the control unit and check the resistance.
  - **Flow temperature sensor**  
Pull out plug "X3" at the control unit and check the resistance across terminals "X3.4" and "X3.5".



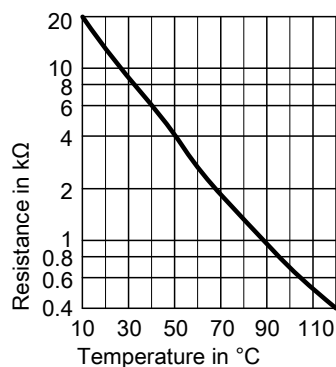


Fig. 48 Sensor type: NTC 10 kΩ

2. Check the sensor resistance and compare it with the curve.
3. In the event of severe deviation replace the sensor.



### Danger

The boiler water temperature sensors are immersed in the heating water (risk of scalding).

Drain the boiler before replacing the sensor.

## Replacing the flow sensor

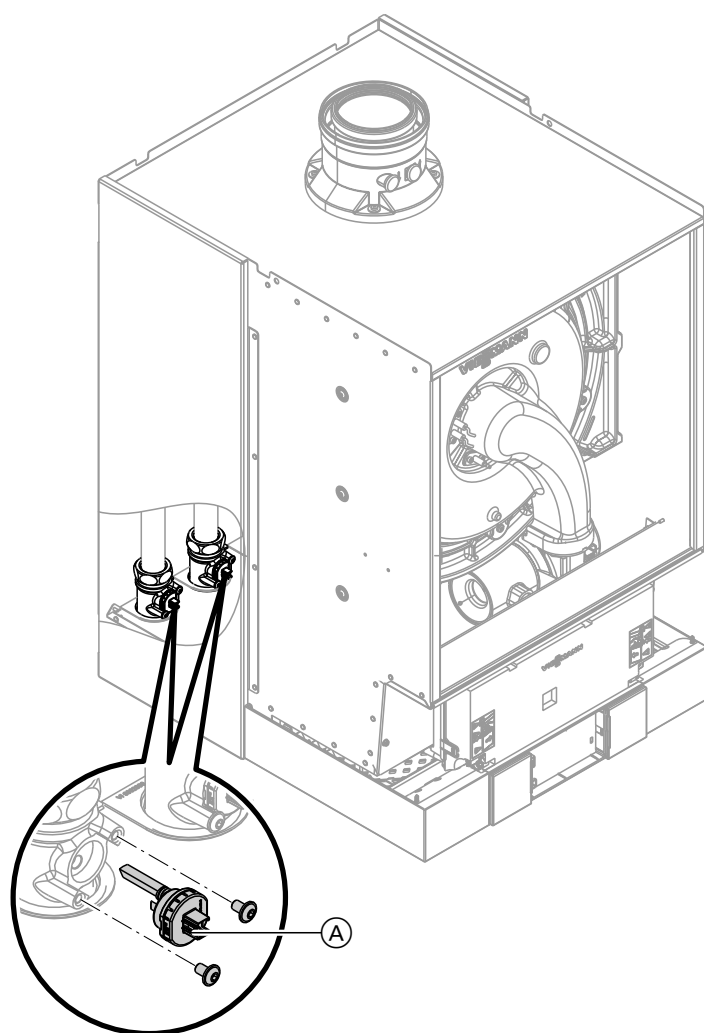


Fig. 49

### Note

In the event of a fault, both sensors need to be replaced.

1. Drain the boiler on the heating water side.
2. Pull leads from flow sensor (A).

3. Undo screws and remove faulty flow sensor (A).
4. Install new flow sensor (A) and secure with the screws.



**Maintenance** (cont.)

**Checking the flue gas temperature sensor**

The flue gas temperature sensor locks the boiler if the permissible flue gas temperature is exceeded. After the flue system has cooled down, press the reset button **R** to cancel the lock.

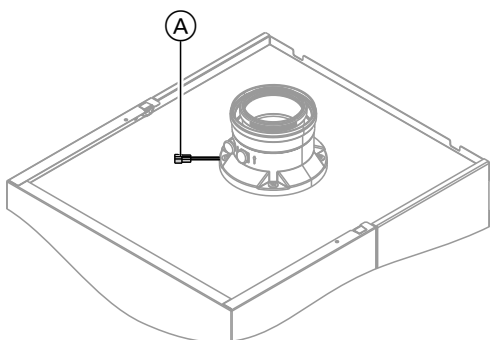


Fig. 50

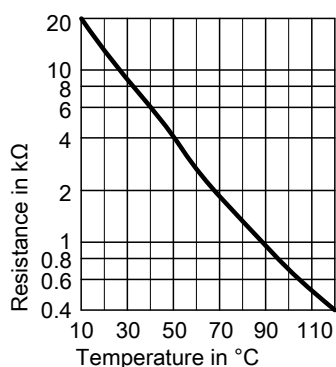


Fig. 51 Sensor type: NTC 10 kΩ

**Fault during commissioning (fault A3)**

During commissioning, the control unit checks correct placement of the flue gas temperature sensor. If commissioning is terminated and fault message A3 is displayed:

1. Check whether the flue gas temperature sensor is correctly inserted. See previous diagram.

1. Pull out leads at flue gas temperature sensor (A).

2. Check the sensor resistance and compare it to the curve.
3. In the event of severe deviation replace the sensor.

2. If necessary, correct the position of the flue gas temperature sensor or replace faulty flue gas temperature sensor.
3. Press reset button **R** and repeat commissioning. The check is repeated until it is completed successfully.

**Check the fuse**

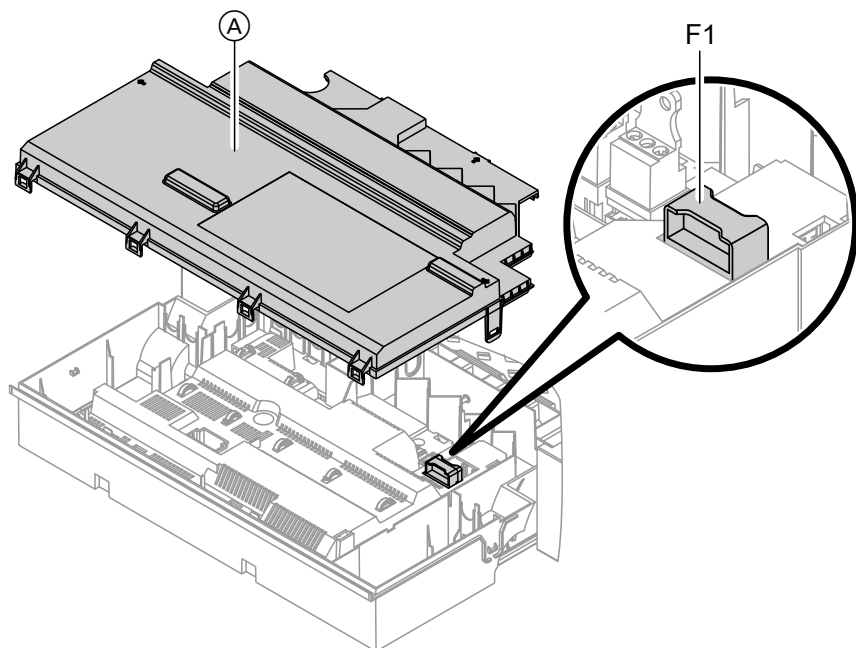


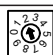
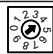
Fig. 52

1. Switch off the power.
2. Release the side closures and pivot the control unit down.
3. Remove cover (A).
4. Check fuse F1 (see connection and wiring diagram).

**Mixer extension kit**

**Checking the setting of rotary selector S1**

The rotary selector on the PCB of the extension kit defines the assignment to the relevant heating circuit.

Heating circuit	Rotary selector S1 setting
Heating circuit with mixer M2 (heating circuit 2)	2 
Heating circuit with mixer M3 (heating circuit 3)	4 

**Checking the rotational direction of the mixer motor**

After being switched on, the boiler implements a self-test. During this, the mixer is opened and closed again.

**Note**

The mixer motor can also be started via the actuator test (see chapter "Checking outputs").

Observe the rotational direction of the mixer motor during its self-test. Then manually set the mixer back to "Open". The flow temperature sensor must now capture a higher temperature. If the temperature drops, either the motor is turning in the wrong direction or the mixer insert is incorrectly fitted.



Mixer installation instructions

**Maintenance** (cont.)

**Changing the rotational direction of the mixer motor (if required)**

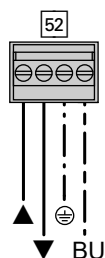


Fig. 53

1. Remove the upper casing cover of the extension kit.



**Danger**

An electric shock can be life-threatening. Before opening the boiler, disconnect it from the mains voltage, e.g. at the fuse or mains isolator.

2. At plug 52, swap the cores at terminals "▲" and "▼".
3. Refit the casing cover.

**Check flow temperature sensor**

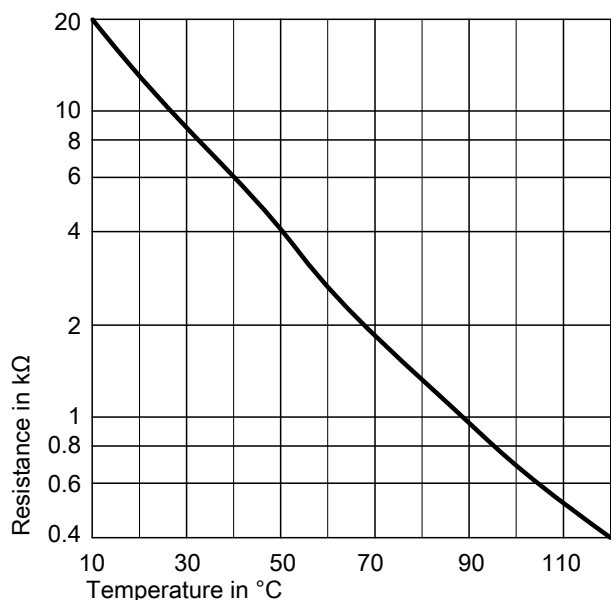


Fig. 54 Sensor type: NTC 10 kΩ

1. Disconnect plug 2 (flow temperature sensor).
2. Check the sensor resistance and compare it to the curve. In the event of severe deviation replace the sensor.

**Checking the Vitotronic 200-H (accessories)**

The Vitotronic 200-H is connected to the control unit via the LON system. To test the connection, carry out a subscriber check at the boiler control unit (see page 44).

### Overview of assemblies

**The following details are required when ordering parts:**

- Serial no. (see type plate (A))
- Assembly (from this parts list)
- Position number of the individual part within the assembly (from this parts list)

Standard parts are available from your local supplier.

**Overview of assemblies** (cont.)

Overview of assemblies (cont.)

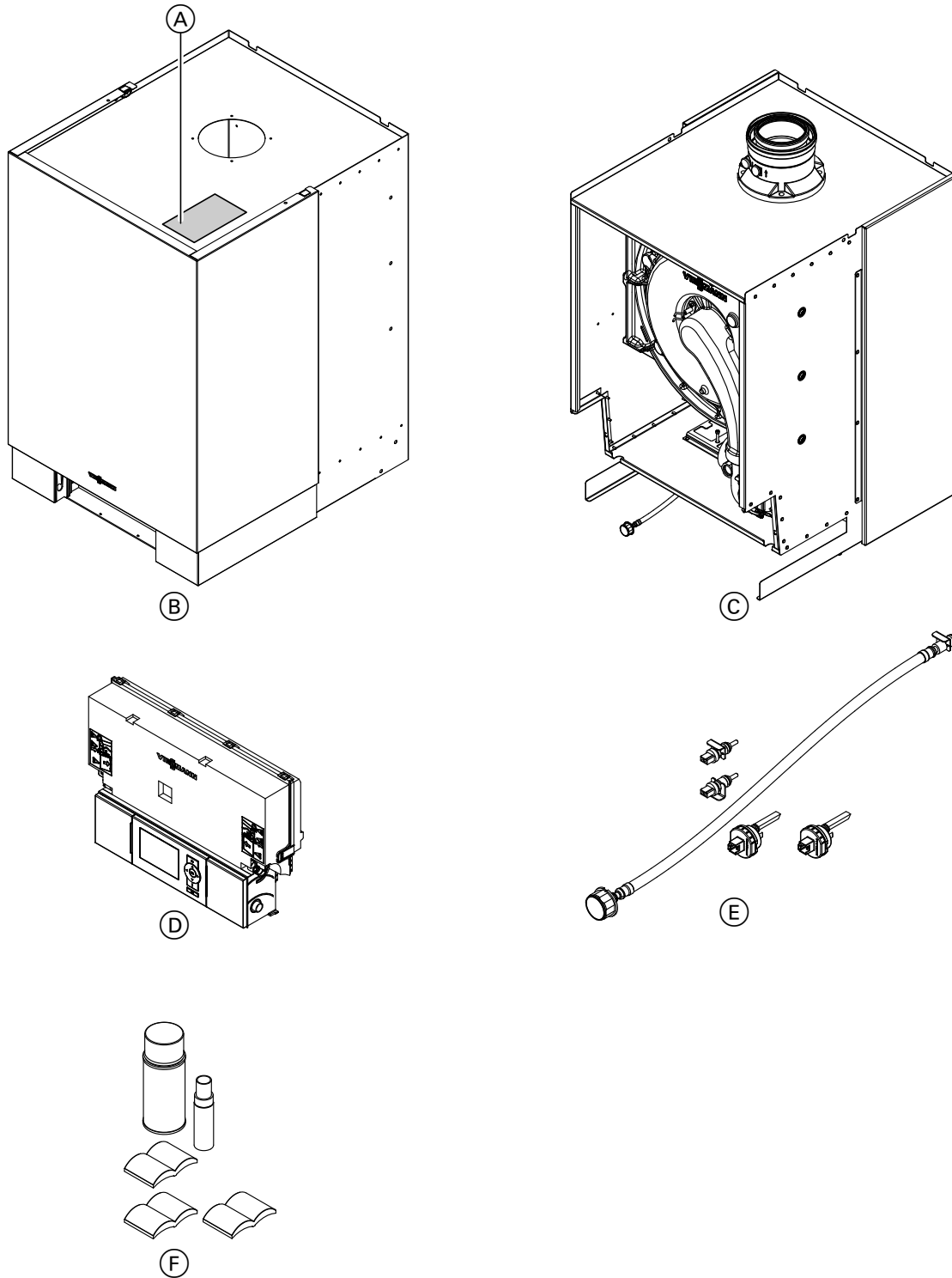


Fig. 55

- Ⓐ Type plate
- Ⓑ Casing assembly
- Ⓒ Heat cell assembly with burner
- Ⓓ Control unit assembly
- Ⓔ Hydraulic assembly
- Ⓕ Miscellaneous

Overview of assemblies

Casing assembly

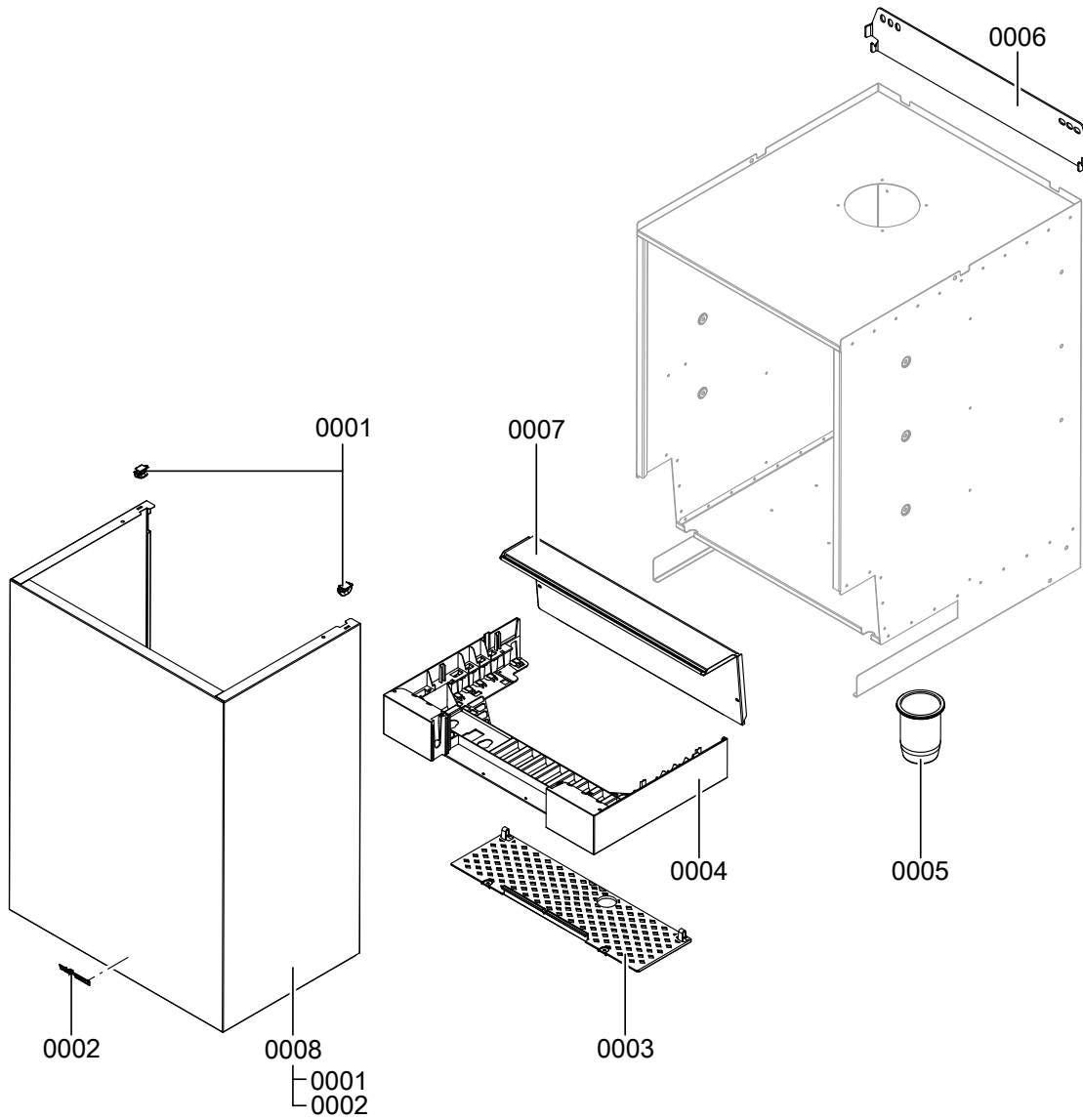


Fig. 56



**Casing assembly** (cont.)

<b>Pos.</b>	<b>Part</b>
0001	Fixing clip (2 pce)
0002	Logo
0003	Contact guard
0004	Control unit support
0005	Trap grommet
0006	Wall mounting bracket
0007	Cover panel
0008	Front panel

Heat cell assembly

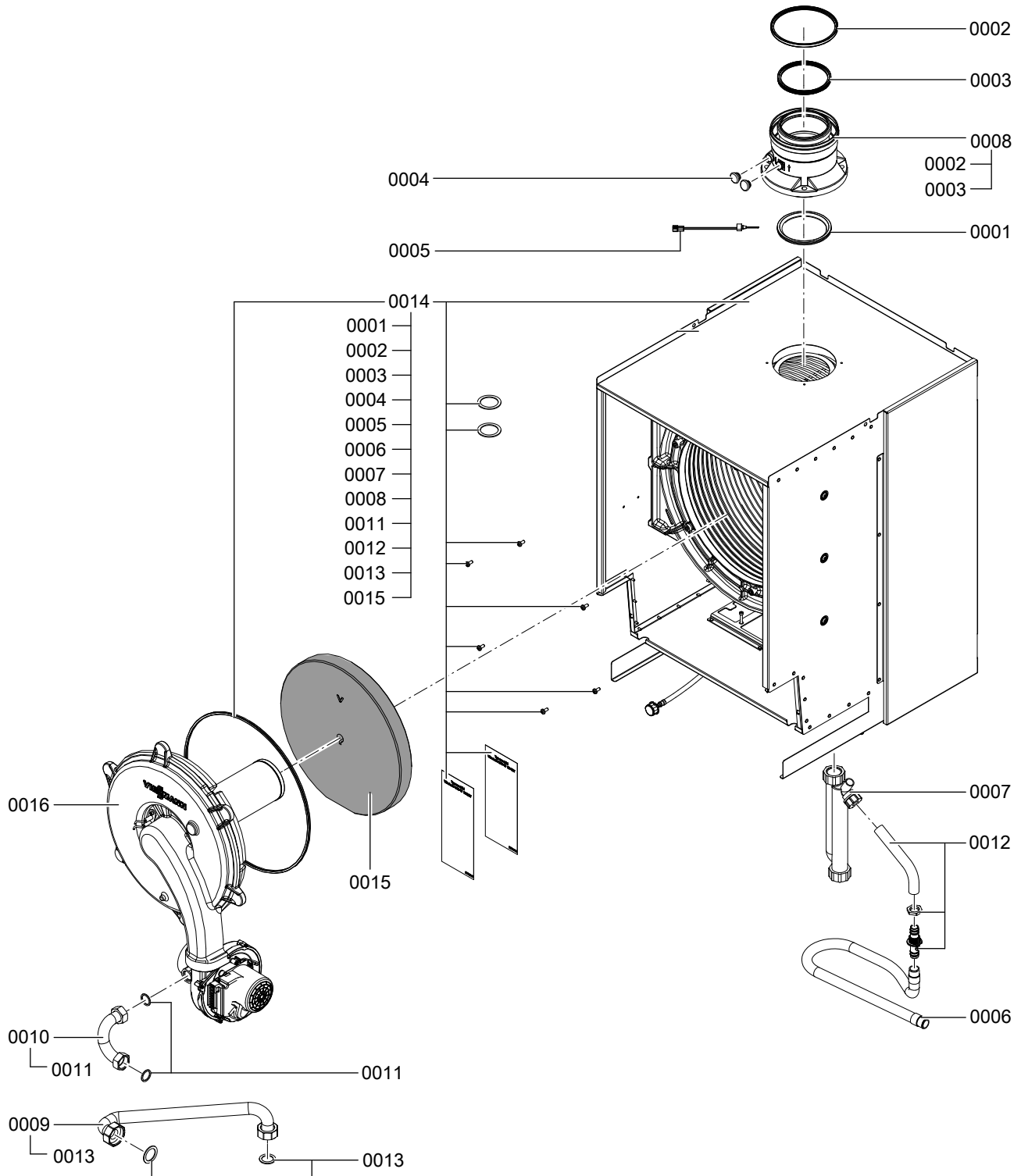


Fig. 57

**Heat cell assembly** (cont.)

<b>Pos.</b>	<b>Part</b>
0001	Diaphragm grommet Ø 110
0002	Lip seal Ø 150
0003	Flue gasket Ø 100
0004	Plug for boiler flue connection
0005	Flue gas temperature sensor
0006	Condensate hose
0007	Trap
0008	Boiler flue connection
0009	Gas supply pipe
0010	Connection pipe
0011	Gasket G1 (5 pce)
0012	Condensate drain pipe set
0013	Gasket G1¼ and G1½
0014	Heat exchanger with hydraulics
0015	Thermal insulation block
0016	Burner

**Burner assembly**

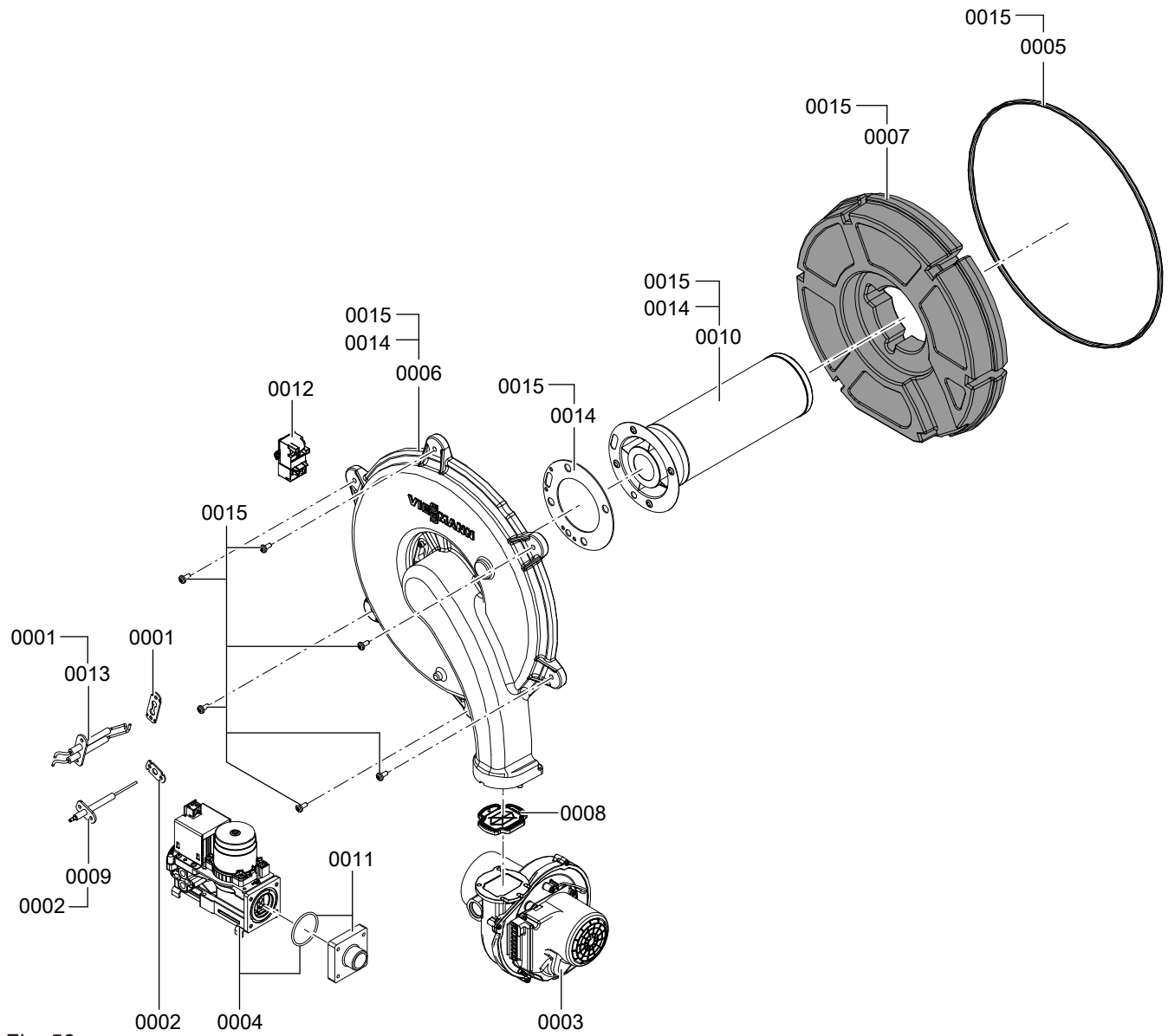


Fig. 58

**Burner assembly** (cont.)

<b>Pos.</b>	<b>Part</b>
0001	Gasket, ignition electrode (5 pce)
0002	Gasket, ionisation electrode (5 pce)
0003	Radial fan
0004	Gas train
0005	Burner gasket
0006	Burner door
0007	Thermal insulation ring
0008	Back draught safety device
0009	Ionisation electrode
0010	Cylinder burner gauze assembly
0011	Adaptor flange
0012	Ignition unit
0013	Ignition electrode block
0014	Burner gauze assembly gasket
0015	Door screws (set)

Hydraulic assembly

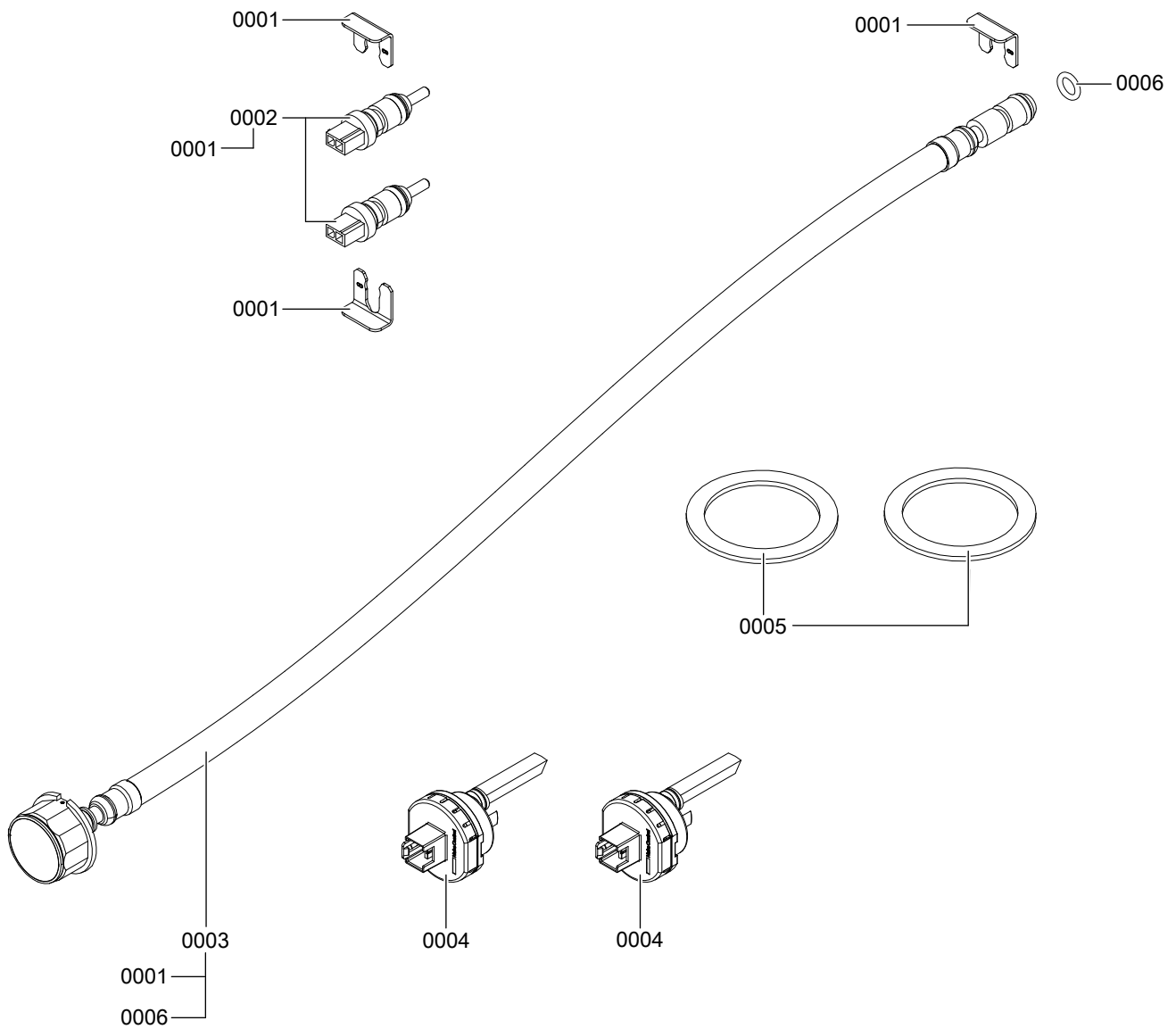


Fig. 59

**Hydraulic assembly** (cont.)

<b>Pos.</b>	<b>Part</b>
0001	Clip Ø 8 (5 pce)
0002	Temperature sensor (2 pce)
0003	Pressure gauge
0004	Flow sensor
0005	Gasket G2 (2 pce)
0006	Circular seal washer 8 x 2 (5 pce)

**Control unit assembly**

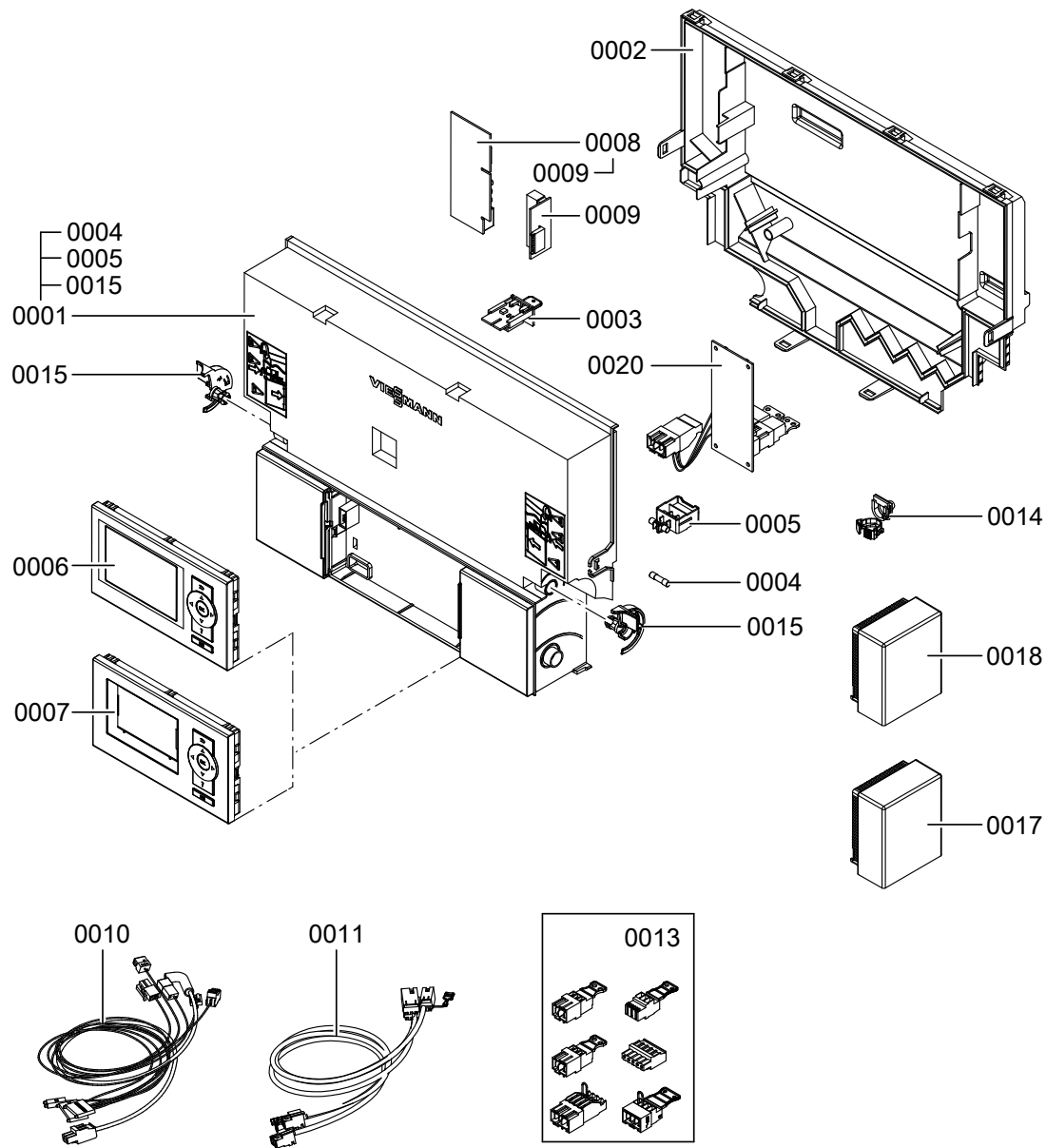


Fig. 60



**Control unit assembly** (cont.)

<b>Pos.</b>	<b>Part</b>
0001	Control unit
0002	Casing back panel
0003	Coding card
0004	Fuse 6.3 A slow (10 pce)
0005	Fuse holder, 6.3 A (slow)
0006	Programming unit for weather-compensated mode
0007	Programming unit for constant temperature mode
0008	LON communication module
0009	PCB adaptor
0010	Cable harness X8/X9/ionisation
0011	Cable harness 100/35/54/earth
0013	Mating plug
0014	Cable ties (10 pce)
0015	Locking bolts, left and right
0017	Outside temperature sensor RF
0018	Outside temperature sensor NTC
0020	Internal H1 extension

Miscellaneous assembly

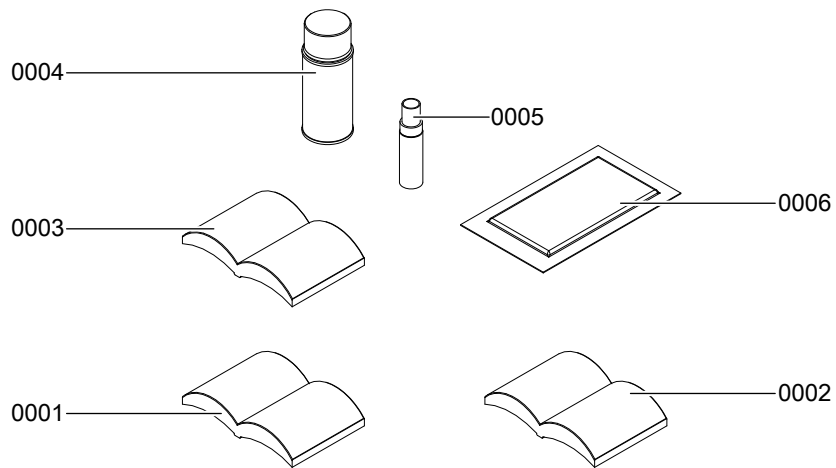


Fig. 61

**Miscellaneous assembly** (cont.)

<b>Pos.</b>	<b>Part</b>
0001	Operating instructions for weather-compensated mode
0002	Operating instructions for constant temperature mode
0003	Installation and service instructions
0004	Spray paint, Vitowhite
0005	Touch-up paint stick, Vitowhite
0006	Special grease

**Constant temperature control unit**

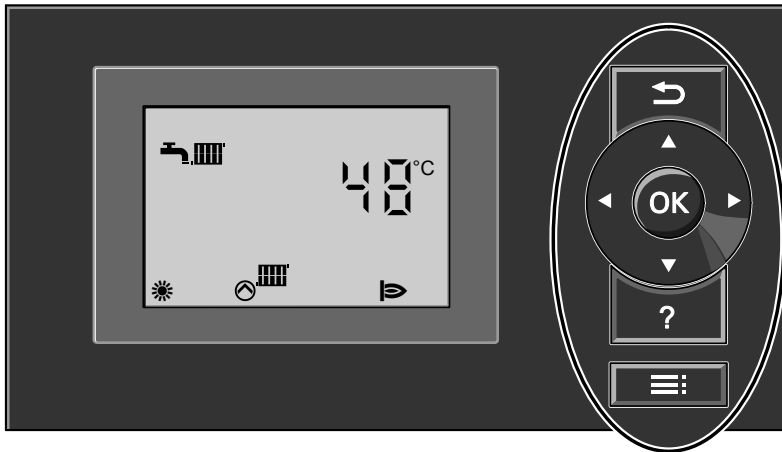


Fig. 62

**Heating mode**

The selected set boiler water temperature will be maintained when a demand is being raised by the room thermostat and the heating program is set to DHW and central heating "☀️🏠".

The boiler water temperature will be maintained at the default frost protection temperature when there is no demand.

The electronic temperature limiter inside the burner control unit limits the boiler water temperature. Flow temperature setting range: 20 to 74 °C.

**DHW heating**

The burner and the circulation pump for cylinder heating are started if the cylinder temperature lies 2.5 K below the set cylinder temperature.

In the delivered condition, the set boiler water temperature is 20 K higher than the set DHW temperature (adjustable via coding address "60"). The burner will be switched off and the circulation pump run-on time will begin, if the actual cylinder temperature exceeds the set cylinder temperature by 2.5 K.

**Weather-compensated control unit**

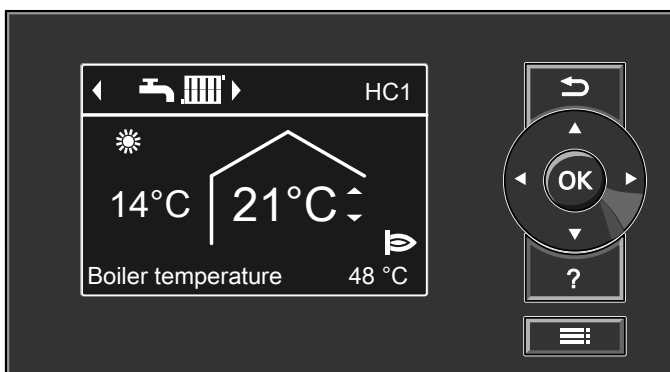


Fig. 63

## Weather-compensated control unit (cont.)

### Heating mode

The control unit determines a set boiler water temperature subject to outside temperature or room temperature (if a room temperature-dependent remote control is connected) and to the slope/level of the heating curve.

The determined set boiler water temperature is transferred to the burner control unit. From the set and actual boiler water temperatures, the burner control unit calculates the modulation level and regulates the burner accordingly.

The electronic temperature limiter inside the burner control unit limits the boiler water temperature.

### DHW heating

The burner and the circulation pump for cylinder heating are started if the cylinder temperature lies 2.5 K below the set cylinder temperature.

In the delivered condition, the set boiler water temperature is 20 K higher than the set DHW temperature (adjustable via coding address "60" in group "**DHW**"/3). The burner will be switched off and the circulation pump run-on time will begin, if the actual cylinder temperature exceeds the set cylinder temperature by 2.5 K.

### Boosting DHW heating

This function is activated by specifying a second set DHW temperature via coding address 58 in group "**DHW**" and activating the fourth DHW phase for DHW heating.

Heating is boosted during the periods selected in this time phase.

Internal H1 extension

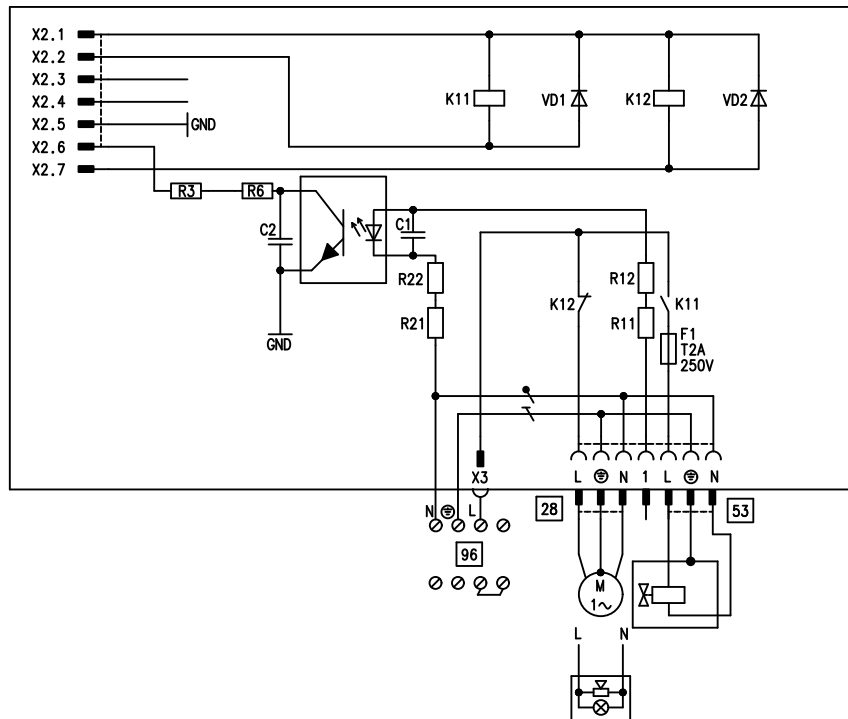


Fig. 64

The internal extension is integrated into the control unit enclosure. The following alternative functions can be connected to relay output 28. The function is assigned via coding address "53" in the **"General"** group:

- Central fault message (code "53:0")
- DHW circulation pump (code "53:1") (only for weather-compensated operation)  
Connect DHW circulation pumps with standalone functions directly to the 230 V~ supply.

- Heating circuit pump for heating circuit without mixer (code "53:2")
- Circulation pump for cylinder heating (code "53:3")  
An external safety valve can be connected to connection 53.

## Internal extensions (accessories) (cont.)

## Internal H2 extension

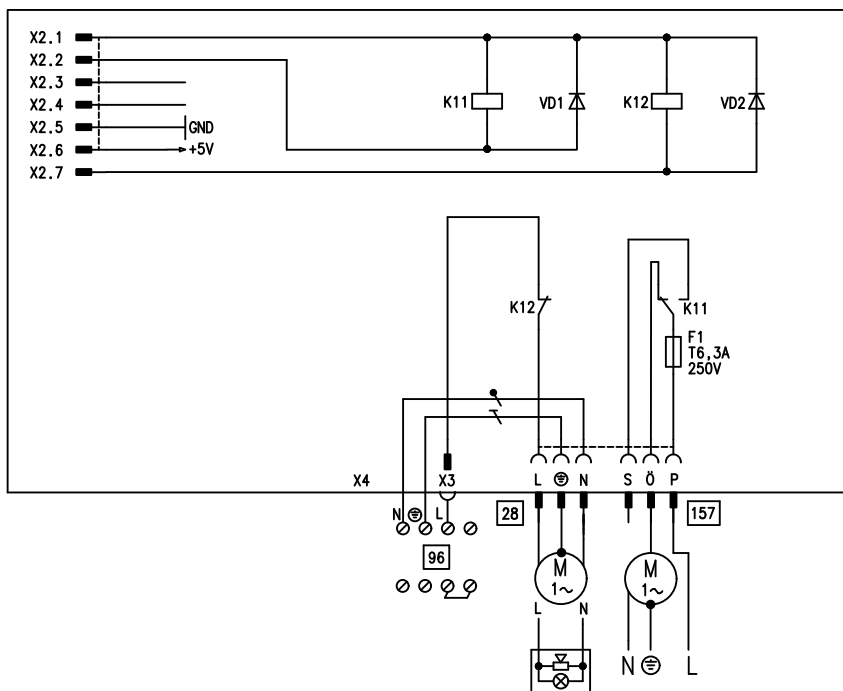


Fig. 65

The internal extension is integrated into the control unit enclosure. The following alternative functions can be connected to relay output **28**. The function is assigned via coding address "53" in the **"General"** group:

- Central fault message (code "53:0")
- DHW circulation pump (code "53:1") (only for weather-compensated operation)  
Connect DHW circulation pumps with standalone functions directly to the 230 V~ supply.

- Heating circuit pump for heating circuit without mixer (code "53:2")
  - Circulation pump for cylinder heating (code "53:3")
- An extractor fan can be switched off via connection **157** when the burner starts.

**External extensions (accessories)**

**AM1 extension**

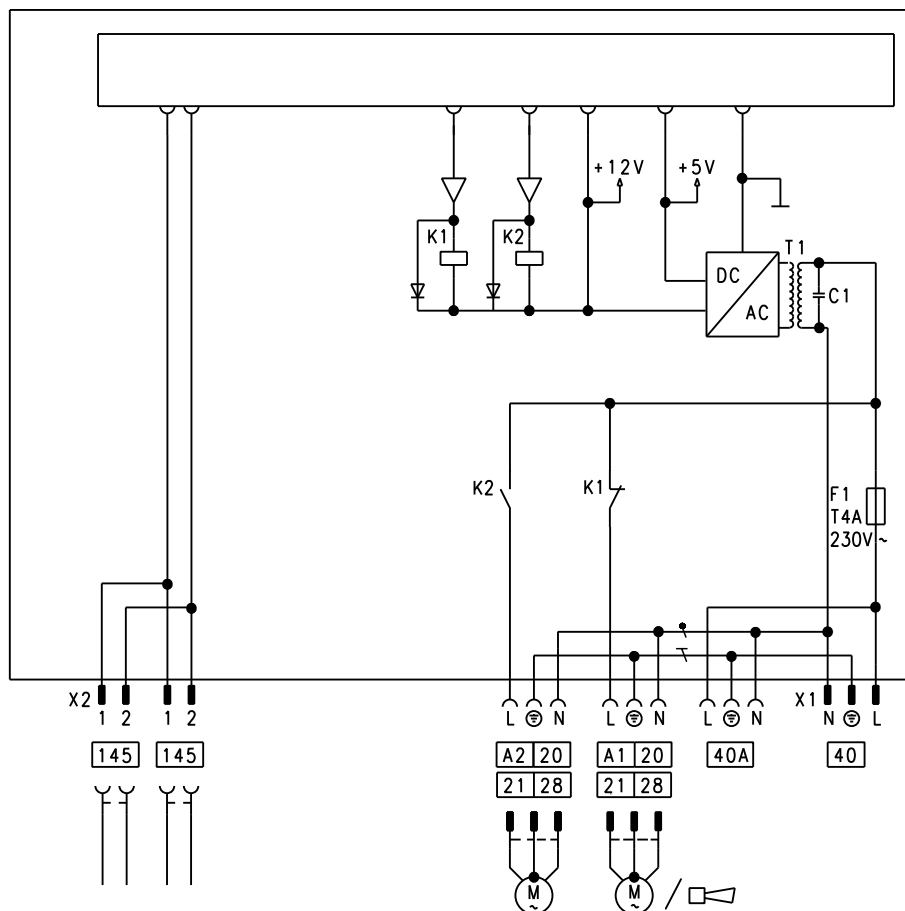


Fig. 66

- A1 Circulation pump
- A2 Circulation pump
- 40 Power supply

- 40 A Power supply for additional accessories
- 145 KM BUS

**Functions**

One of the following circulation pumps can be connected to each of the connections A1 and A2:

- Heating circuit pump for heating circuit without mixer
  - Circulation pump for cylinder heating
  - DHW circulation pump
- Connect DHW circulation pumps with standalone functions directly to the 230 V~ supply.

Select the output functions via the codes on the boiler control unit.

**Function assignment**

Function	Code ("General" group)	
	Output A1	Output A2
DHW circulation pump 28	33:0	34:0 (delivered condition)
Heating circuit pump 20	33:1 (delivered condition)	34:1
Circulation pump for cylinder heating 21	33:2	34:2



## External extensions (accessories) (cont.)

## EA1 extension

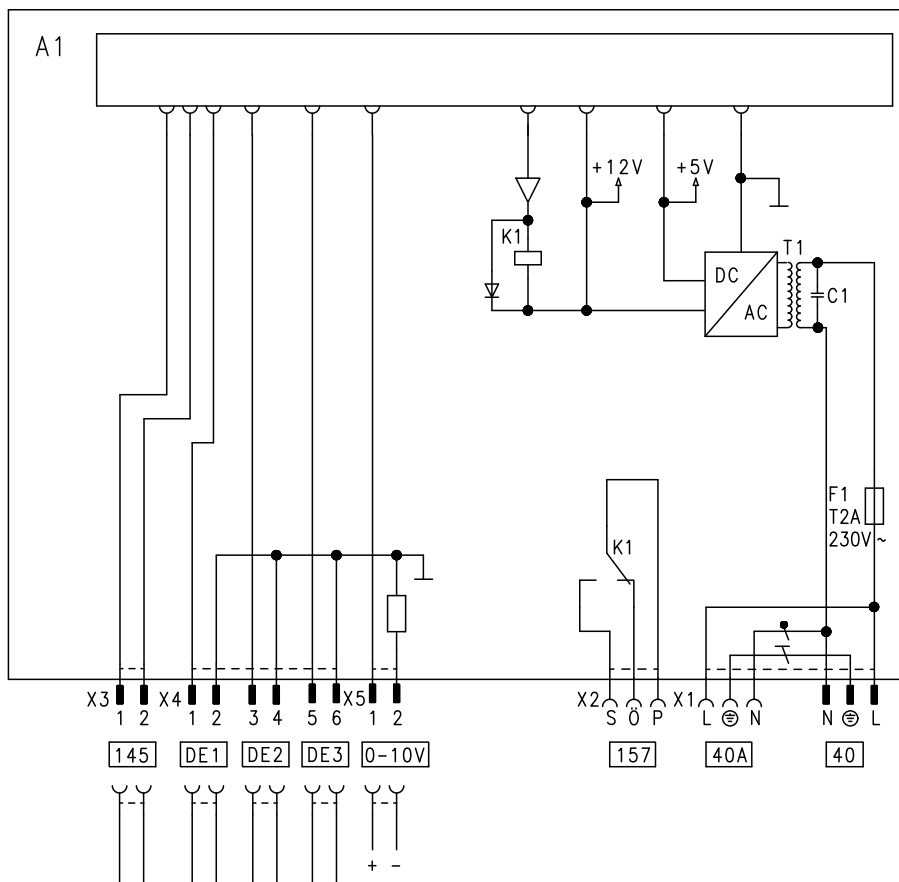


Fig. 67

F1	MCB/fuse
DE1	Digital input 1
DE2	Digital input 2
DE3	Digital input 3
0-10V	0 – 10 V input
40	Power supply

40 A	Power supply for additional accessories
157	Central fault message/feed pump/DHW circulation pump (potential-free) Connect DHW circulation pumps with stand-alone functions directly to the 230 V~ supply.
145	KM BUS

## Digital data inputs DE1 to DE3

Alternatively, the following functions can be connected:

- External operating program changeover for each heating circuit
- External blocking
- External blocking with fault message input
- External demand with minimum boiler water temperature
- Fault message input
- Brief operation of the DHW circulation pump

External contacts must be potential-free. When making the connection, adhere to the requirements of protection class II: 8.0 mm air and creep paths and 2.0 mm insulation thickness against 'live' components.

## Input function assignment

Select the input functions via the codes in the **"General"** group at the boiler control unit:

- DE1: Coding address 3A
- DE2: Coding address 3b
- DE3: Coding address 3C

## Assigning the operating program changeover function to the heating circuits

Select the operating program changeover function for the respective heating circuit via coding address d8 in the **"Heating circuit"** group at the boiler control unit:

- Changeover via input DE1: Code d8:1
- Changeover via input DE2: Code d8:2
- Changeover via input DE3: Code d8:3

The effect of the operating program changeover is selected via coding address d5 in the **"Heating circuit"** group.

## Function description

### External extensions (accessories) (cont.)

The duration of the changeover is set via coding address F2 in the **"Heating circuit"** group.

#### Effect of external blocking function on the pumps

The effect on the internal circulation pump is selected in coding address 3E in the **"General"** group.

The effect on the relevant heating circuit pump is selected in coding address d6 in the **"Heating circuit"** group.

The effect on a circulation pump for cylinder heating is selected in coding address 5E in the **"DHW"** group.

#### Effect of the external demand function on the pumps

The effect on the internal circulation pump is selected in coding address 3F in the **"General"** group.

The effect on the relevant heating circuit pump is selected in coding address d7 in the **"Heating circuit"** group.

The effect on a circulation pump for cylinder heating is selected in coding address 5F in the **"DHW"** group.

#### DHW circulation pump runtime for brief operation

The DHW circulation pump is started by closing the contact at DE1, DE2 or DE3 by means of a pushbutton. The runtime is adjusted via coding address "3d" in the **"General"** group.

#### Analogue input 0 – 10 V

The 0 – 10 V hook-up provides an additional set boiler water temperature:

0 – 1 V is taken as "no set boiler water temperature default".

1 V  $\triangleq$  Set value 10 °C

10 V  $\triangleq$  Set value 100 °C

Ensure DC separation between the earth conductor and the negative pole of the on-site power source.

#### Output 157

The following functions can be connected to output 157:

- Feed pump to substation  
or
- DHW circulation pump  
or
- Fault message facility

#### Information regarding the feed pump

*Function only possible in conjunction with a heating circuit control unit connected via LON.*

#### Information on DHW circulation pumps

*Connect DHW circulation pumps with standalone functions directly to the 230 V~ supply.*

#### Function assignment

Select the function of output 157 via coding address "36" in the **"General"** group at the boiler control unit.

## Control functions

### External operating program changeover

The "External operating program changeover" function is implemented via the EA1 extension. There are 3 inputs available at the EA1 extension (DE1 to DE3).

The function is selected via the following coding addresses in the **"General"** group:

Heating program changeover	Code
Input DE1	3A:1
Input DE2	3b:1
Input DE3	3C:1

Select the operating program changeover function for the respective heating circuit via coding address "d8" in the **"Heating circuit"** group at the boiler control unit:

**Control functions** (cont.)

Heating program changeover	Code
Changeover via input DE1	d8:1
Changeover via input DE2	d8:2
Changeover via input DE3	d8:3

You can select the direction of the operating program changeover in coding address "d5" in the **"Heating circuit"** group:

Heating program changeover	Code
Changeover towards "Constantly reduced" or "Constant standby mode" (subject to the selected set value)	d5:0
Changeover towards "Constant heating mode"	d5:1

The duration of the operating program changeover is set in coding address "F2" in the **"Heating circuit"** group:

Heating program changeover	Code
No operating program changeover	F2:0
Duration of the operating program changeover 1 to 12 hours	F2:1 to F2:12

The operating program changeover stays enabled for as long as the contact remains closed, but at least as long as the duration selected in coding address "F2".

**External blocking**

The functions "External blocking" and "External blocking with fault message input" are implemented via the EA1 extension. There are 3 inputs available at the EA1 extension (DE1 to DE3).

The function is selected via the following coding addresses in the **"General"** group:

External blocking	Code
Input DE1	3A:3
Input DE2	3b:3
Input DE3	3C:3

External blocking and fault message input	Code
Input DE1	3A:4
Input DE2	3b:4
Input DE3	3C:4

The effect on the internal circulation pump is selected in coding address "3E" in the **"General"** group.

The effect on the relevant heating circuit pump is selected in coding address "d6" in the **"Heating circuit"** group.

**External demand**

The "External demand" function is implemented via the EA1 extension. There are 3 inputs available at the EA1 extension (DE1 to DE3).

The function is selected via the following coding addresses in the **"General"** group:

## Function description

### Control functions (cont.)

External demand	Code
Input DE1	3A:2
Input DE2	3b:2
Input DE3	3C:2

The effect on the internal circulation pump is selected in coding address "3F" in the **"General"** group. The effect on the relevant heating circuit pump is selected in coding address "d7" in the **"Heating circuit"** group.

The set minimum boiler water temperature for external demand is selected in coding address "9b" in the **"General"** group.

### Venting program

During the venting program, the circulation pump will be alternately switched on and off for 30 s over a period of 20 min.

The burner is switched off during the venting program. Activating the venting program: See "Venting the heating system".

### Screed drying

When activating screed drying, observe the information provided by the screed manufacturer. When screed drying is activated, the heating circuit pump for the heating circuit with mixer starts and the flow temperature is maintained in accordance with the selected profile. On completion (30 days), the heating circuit with mixer is controlled automatically according to the set parameters. Observe EN 1264. The report to be provided by the heating contractor must contain the following heat-up details:

- Heat-up data with respective flow temperatures
- Max. flow temperature achieved
- Operating state and outside temperature during handover

Various temperature profiles can be set via coding address "F1" in the **"Heating circuit"** group. The function continues after a power failure or after the control unit has been switched off. "Heating and DHW" is started when screed drying is finished or if code "F1:0" is set manually.

Temperature profile 1: (EN 1264-4) code "F1:1"

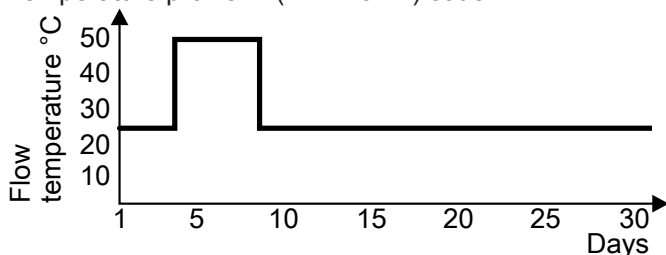


Fig. 68

Temperature profile 2: (ZV parquet and flooring technology) code "F1:2"

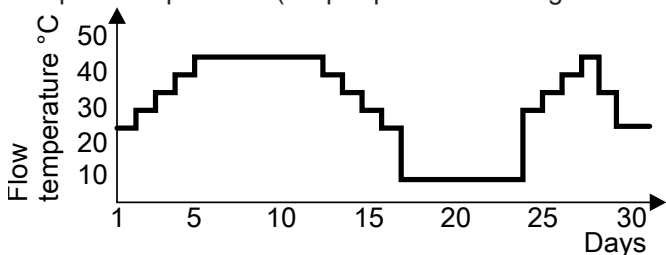


Fig. 69

**Control functions** (cont.)

Temperature profile 3: Code "F1:3"

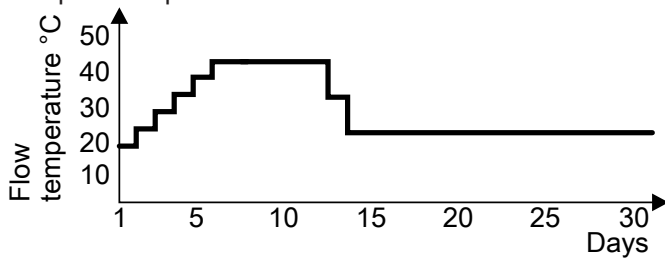


Fig. 70

Temperature profile 4: Code "F1:4"

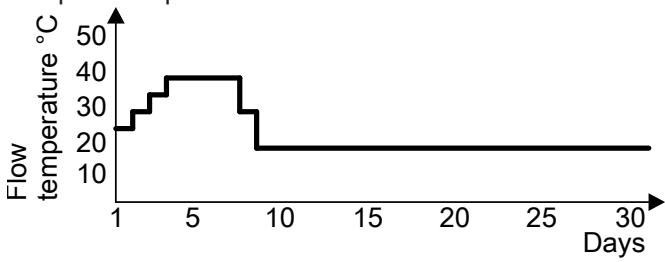


Fig. 71

Temperature profile 5: Code "F1:5"

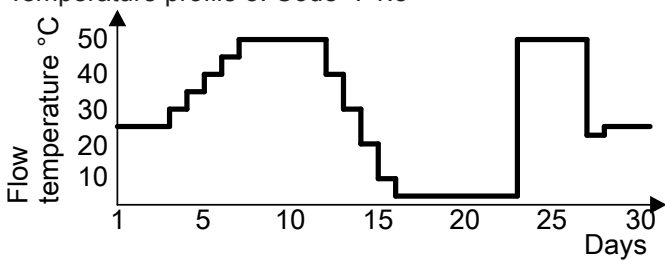


Fig. 72

Temperature profile 6: Code "F1:6"

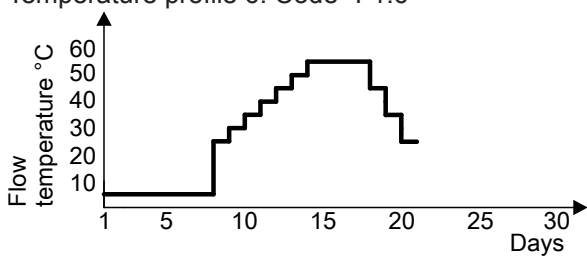


Fig. 73

Temperature profile 7: Code "F1:15"

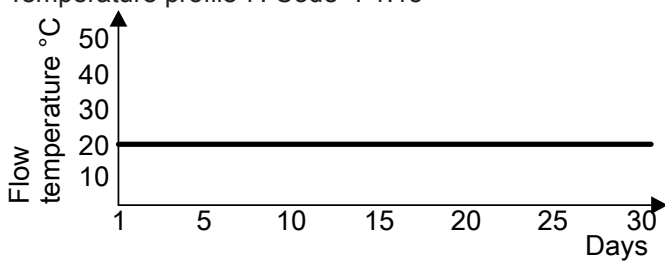


Fig. 74

### Raising the reduced room temperature

During operation with reduced room temperature, the reduced set room temperature can be automatically raised subject to the outside temperature. The temperature is raised in accordance with the selected heating curve, but no higher than the set standard room temperature.

The outside temperature limits for the start and end of temperature raising can be set in coding addresses "F8" and "F9" in the **"Heating circuit"** group.

Example using the settings in the delivered condition

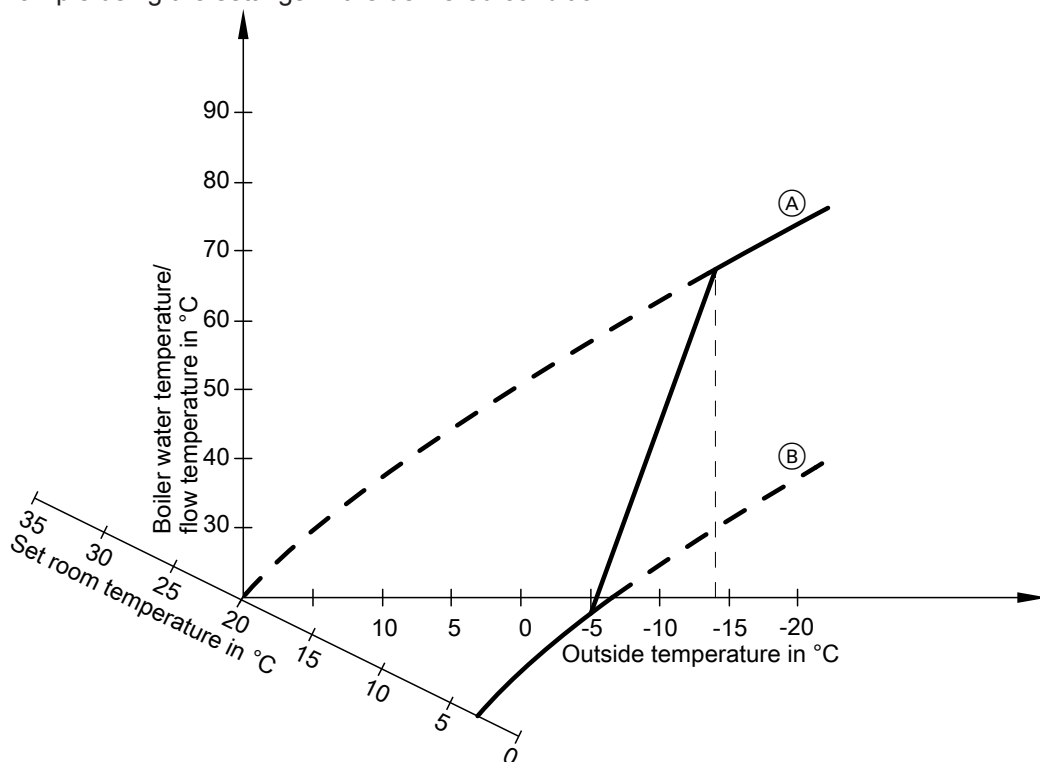


Fig. 75

- Ⓐ Heating curve for operation with standard room temperature
- Ⓑ Heating curve for operation with reduced room temperature

### Reducing the heat-up time

During the transition from operation with reduced room temperature to operation with standard room temperature, the boiler water or flow temperature will be raised in accordance with the selected heating curve. The boiler water or flow temperature can be automatically increased.

The value and duration for the additional raising of the set boiler water temperature or set flow temperature can be set in coding addresses "FA" and "Fb" in the **"Heating circuit"** group.

## Control functions (cont.)

Example using the settings in the delivered condition

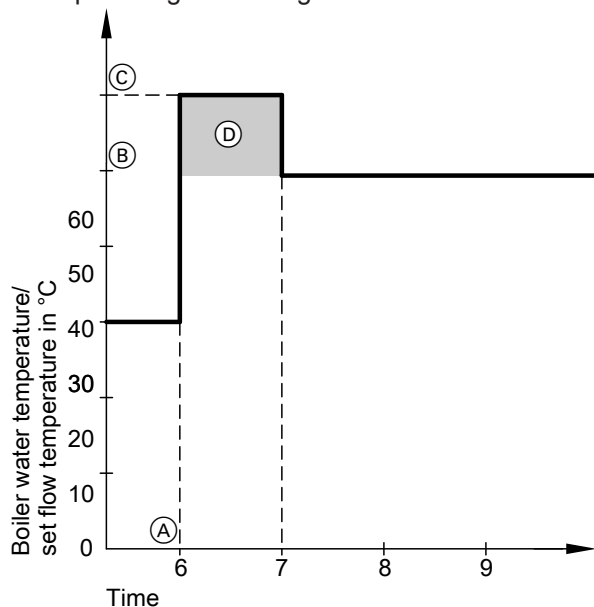


Fig. 76

- (A) Start of operation with standard room temperature
- (B) Set boiler water or flow temperature in accordance with the selected heating curve
- (C) Set boiler water or flow temperature in accordance with coding address "FA":  
 $50\text{ °C} + 20\% = 60\text{ °C}$
- (D) Duration of operation with raised set boiler water or flow temperature in accordance with coding address "Fb":  
 60 min

## Assigning heating circuits to the remote control

The assignment of heating circuits must be configured during remote control commissioning.

Remote control affects the following heating circuit	Configuration	
	Vitotrol 200A Vitotrol 200 RF	Vitotrol 300A Vitotrol 300 RF
Heating circuit without mixer A1	H 1	Heating circuit 1
Heating circuit with mixer M2	H 2	Heating circuit 2
Heating circuit with mixer M3	H 3	Heating circuit 3

### Note

One heating circuit can be assigned to the Vitotrol 200A and 200 RF.

Up to three heating circuits can be assigned to the Vitotrol 300A and 300 RF.

A maximum of 2 hardwired remote control units **or** 3 wireless remote controls may be connected to the control unit.

If the assignment of a heating circuit is later cancelled, reset coding address "A0" in the **"Heating circuit"** group for this heating circuit to 0 (fault message bC, bd, bE).

## Function description

### Electronic combustion control unit

The electronic combustion controller utilises the physical correlation between the level of the ionisation current and the air ratio  $\lambda$ . The maximum ionisation current is achieved at an air ratio of 1 for all gas qualities. The ionisation signal is evaluated by the combustion controller and the air ratio is adjusted to a value between  $\lambda=1.24$  and 1.44. This range provides for an optimum combustion quality. Thereafter, the electronic gas valve regulates the required gas volume subject to the prevailing gas quality.

To check the combustion quality, the CO<sub>2</sub> content or the O<sub>2</sub> content of the flue gas is measured. The prevailing air ratio is determined with the measured values. The relationship between the CO<sub>2</sub> or O<sub>2</sub> content and air ratio  $\lambda$  is illustrated in the following table.

#### Air ratio $\lambda$ – CO<sub>2</sub>/O<sub>2</sub> content

Air ratio $\lambda$	O <sub>2</sub> content (%)	CO <sub>2</sub> content (%) for natural gas E	CO <sub>2</sub> content (%) for natural gas LL	CO <sub>2</sub> content (%) for LPG P
1.20	3.8	9.6	9.2	11.3
1.24	4.4	9.2	9.1	10.9
1.27	4.9	9.0	8.9	10.6
1.30	5.3	8.7	8.6	10.3
<b>1.34</b>	<b>5.7</b>	<b>8.5</b>	<b>8.4</b>	<b>10.0</b>
1.37	6.1	8.3	8.2	9.8
1.40	6.5	8.1	8.0	9.6
1.44	6.9	7.8	7.7	9.3
1.48	7.3	7.6	7.5	9.0

To achieve an optimum combustion control, the system regularly carries out an automatic self-calibration; also after a power failure (shutdown). For this, the combustion is briefly regulated to max. ionisation current (corresponding to air ratio  $\lambda=1$ ). Automatic calibration is carried out shortly after the burner start and lasts approx. 5 s. During calibration, higher than normal CO emissions may occur briefly.



Connection and wiring diagram – Internal connections

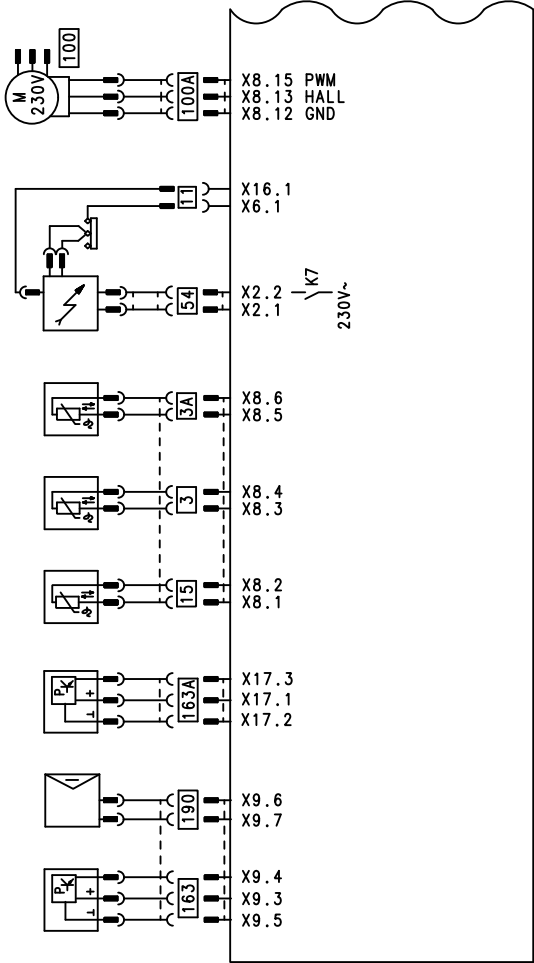


Fig. 77

- |   |                                 |   |                   |
|---|---------------------------------|---|-------------------|
| X...  | Electrical interfaces           | <span style="border: 1px solid black; padding: 2px;">100</span>   | Fan motor         |
| <span style="border: 1px solid black; padding: 2px;">3</span>   | Boiler water temperature sensor | <span style="border: 1px solid black; padding: 2px;">100</span> A | Fan motor control |
| <span style="border: 1px solid black; padding: 2px;">3</span> A | Boiler water temperature sensor | <span style="border: 1px solid black; padding: 2px;">190</span>   | Modulation coil   |
| <span style="border: 1px solid black; padding: 2px;">11</span>  | Ionisation electrode            | <span style="border: 1px solid black; padding: 2px;">163</span> A | Flow sensor       |
| <span style="border: 1px solid black; padding: 2px;">15</span>  | Flue gas temperature sensor     | <span style="border: 1px solid black; padding: 2px;">163</span>   | Flow sensor       |
| <span style="border: 1px solid black; padding: 2px;">54</span>  | Ignition unit                   |   |                   |

Connection and wiring diagram – External connections

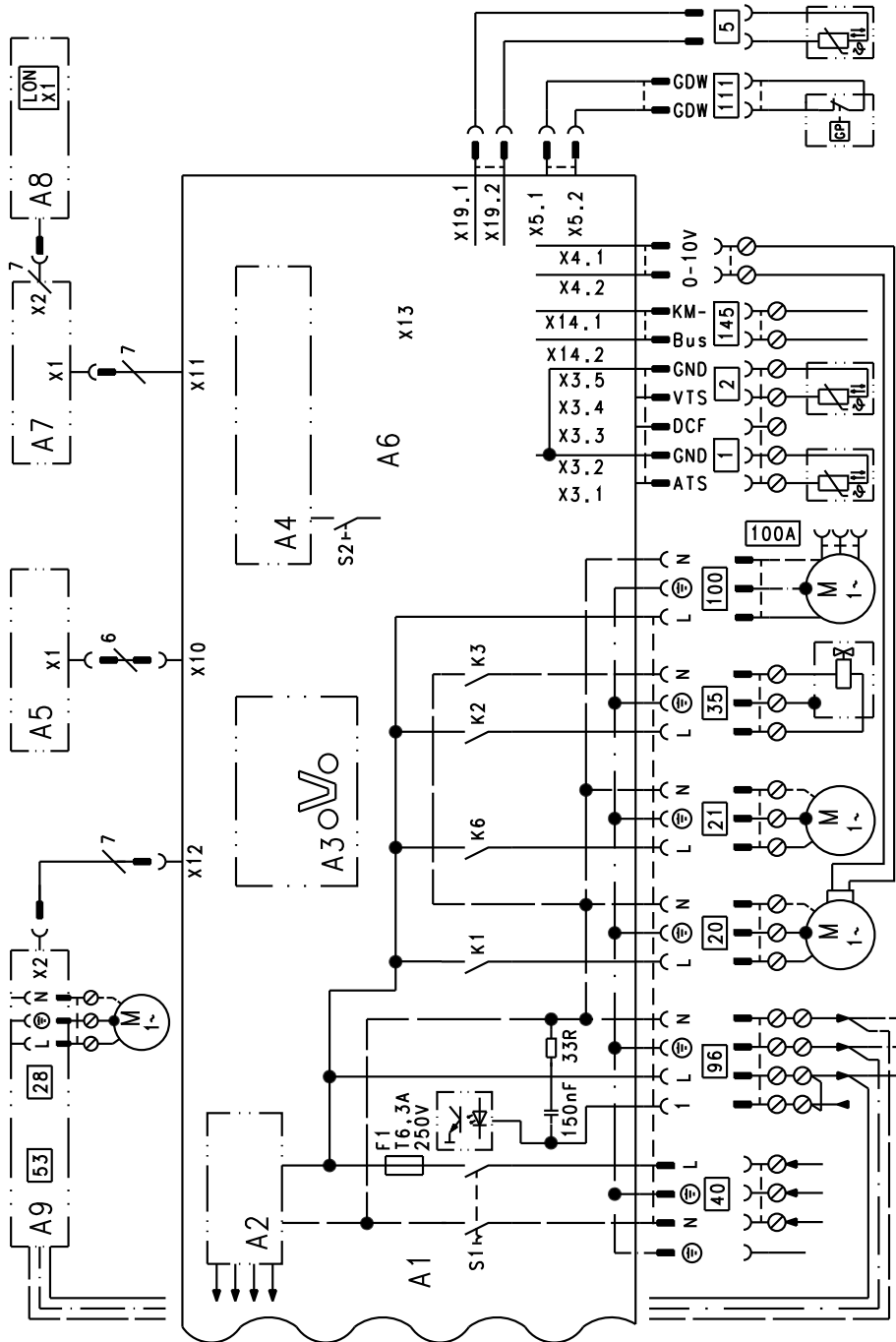


Fig. 78

- |      |  |     |   |
|------|--|-----|---|
| A1   | Main PCB   | 1   | Outside temperature sensor                              |
| A2   | Power supply unit  | 2   | Flow temperature sensor, low loss header                |
| A3   | Optolink   | 5   | Cylinder temperature sensor (plug on the cable harness) |
| A4   | Burner control unit                                      | 20  | Heating circuit pump or boiler circuit pump             |
| A5   | Programming unit   | 21  | Circulation pump for cylinder heating                   |
| A6   | Coding card  | 28  | DHW circulation pump                                    |
| A7   | Connection adaptor                                       | 35  | Gas solenoid valve                                      |
| A8   | LON communication module or cascade communication module | 40  | Power supply  |
| A9   | Internal extension (accessories)                         | 96  | Power supply for accessories and Vitotrol 100           |
| S1   | ON/OFF switch  | 100 | Fan motor   |
| S2   | Reset button   | 111 | Gas pressure switch                                     |
| X... | Electrical interfaces                                    | 145 | KM BUS  |

Settings and test values		Set value	Commissioning	Maintenance/ service
	<b>Date</b>			
	<b>Signature</b>			
<b>Static pressure</b>	<i>mbar</i> <i>kPa</i>	≤ 57.5 ≤ 5.75		
<b>Supply pressure (flow pressure)</b>				
<input type="checkbox"/> for natural gas E	<i>mbar</i> <i>kPa</i>	17-25 1.70-2.5		
<input type="checkbox"/> for natural gas LL	<i>mbar</i> <i>kPa</i>	17-25 1.70-2.5		
<input type="checkbox"/> for LPG	<i>mbar</i> <i>kPa</i>	42.5-57.5 4.25-5.75		
<i>Tick gas type</i>				
<b>Carbon dioxide content CO<sub>2</sub></b>				
For natural gas				
▪ At lower heating output	<i>% by vol.</i>	7.5-9.5		
▪ At upper heating output	<i>% by vol.</i>	7.5-9.5		
For LPG				
▪ At lower heating output	<i>% by vol.</i>	8.8-11.1		
▪ At upper heating output	<i>% by vol.</i>	8.8-11.1		
<b>Oxygen content O<sub>2</sub></b>				
▪ At lower heating output	<i>% by vol.</i>	4.0-7.6		
▪ At upper heating output	<i>% by vol.</i>	4.0-7.6		
<b>Carbon monoxide content CO</b>				
▪ At lower heating output	<i>ppm</i>	< 1000		
▪ At upper heating output	<i>ppm</i>	< 1000		

## Specification

### Specification

#### Gas boiler, category II <sub>2N3P</sub>

<b>Rated heating output range</b> <sup>*2</sup> T <sub>F</sub> /T <sub>R</sub> 50/30 °C	<b>kW</b>	<b>32 - 120</b>	<b>32 - 150</b>
<b>Rated heating input range</b>	<b>kW</b>	<b>30 - 113.3</b>	<b>30 - 142.0</b>
<b>Rated voltage</b>	<b>V</b>	<b>230</b>	
<b>Rated frequency</b>	<b>Hz</b>	<b>50</b>	
<b>Rated current</b>	<b>A</b>	<b>6</b>	
<b>Backup fuse (power supply)</b>	<b>A</b>	<b>16</b>	
<b>Power consumption</b> in the delivered condition	<b>W</b>	<b>146</b>	<b>222</b>
<b>Electronic temperature limiter setting (fixed)</b>	<b>°C</b>	<b>82</b>	
<b>Temperature limiter setting (fixed)</b>	<b>°C</b>	<b>100</b>	
<b>Connection values</b>			
Relative to max. load			
With			
Natural gas E	m <sup>3</sup> /h	12.49	15.03
Natural gas LL	m <sup>3</sup> /h	14.51	17.47
LPG	kg/h	9.23	11.10
<b>Permissible ambient temperature</b>			
▪ During operation:	°C	0 to +40 °C	
▪ During storage and transport:	°C	-20 to +65 °C	
<b>Protection class</b>			
<b>I</b>			
<b>IP rating</b>			
<b>IP X 4 D to EN 60529</b>			
<b>Weight</b>	<b>kg</b>	<b>130</b>	<b>130</b>
<b>Product ID</b>			
<b>CE-0085CN0050</b>			

#### Note

The connection values are only for reference (e.g. in the gas contract application) or for a supplementary, rough estimate to check the volumetric settings. Due to factory settings, the gas pressure must not be altered from these values. Reference: 15 °C, 1013 mbar.

<sup>\*2</sup> Values in () when operating with LPG P

## Declaration of conformity

### Declaration of Conformity for the Vitodens 200-W

We, Viessmann Werke GmbH & Co. KG, D-35107 Allendorf, declare as sole responsible body that the product **Vitodens 200-W** complies with the following standards:

EN 15 502-1: 2015	EN 60 335-2-102: 2010
EN 15 502-2-1: 2015	EN 61 000-3-2: 2014
EN 15 502-2-2: 2015	EN 61 000-3-3: 2013
EN 55 014: 2011	EN 62 233: 2008
EN 60 335-1: 2012	

In accordance with the following Directives, this product is designated with **CE-0085**:

2004/108/EC	2010/30/EU
2006/95/EC	811/2013
2009/142/EC	813/2013
2009/125/EC	

This product meets the requirements of the Efficiency Directive (92/42/EEC) for **condensing boilers**.

Allendorf, 01 February 2016

Viessmann Werke GmbH & Co. KG



Authorised signatory Manfred Sommer

## Manufacturer's certificate according to the 1st BImSchV [Germany]

We, Viessmann Werke GmbH & Co. KG, D-35107 Allendorf, confirm that the product **Vitodens 200-W** complies with the NO<sub>x</sub> limits specified by the 1st BImSchV, paragraph 6 [Germany].

Allendorf, 01 February 2016

Viessmann Werke GmbH & Co. KG



Authorised signatory Manfred Sommer

**Keyword index**

<b>A</b>		<b>H</b>	
Acknowledging a fault display.....	77	Heating circuit assignment.....	119
<b>B</b>		Heating curve.....	41
Boiler, opening.....	27	Heating curve level.....	42
Boiler water temperature sensor .....	87	Heating curve slope.....	42
Boosting DHW heating.....	109	Heating output, setting.....	34
Brief scans.....	72	Heat-up time.....	118
Burner gauze assembly.....	36, 37	<b>I</b>	
Burner installation.....	39	Ignition.....	38
Burner removal.....	35	Ignition electrodes.....	38
<b>C</b>		Ionisation electrode.....	38
Calling up fault messages.....	78	<b>L</b>	
Code 1		Language selection.....	28
– Calling up.....	46	LON.....	43
Code 2		– Fault monitoring.....	44
– Calling up.....	55	– Subscriber check.....	44
Codes for commissioning.....	41	– Subscriber number setting.....	43
Combustion chamber cleaning.....	38	LON communication module.....	43
Combustion controller.....	120	<b>M</b>	
Commissioning.....	27	Manufacturer's certificate .....	125
Condensate drain.....	39	Mixer open/closed.....	90
Converting gas type.....	31	<b>O</b>	
Cylinder temperature sensor .....	87	Operating conditions, calling up.....	72
<b>D</b>		Operating data, calling up.....	72
Date, setting.....	28	Operating program changeover.....	114
Diaphragm expansion vessel.....	39	Outside temperature sensor.....	86
<b>E</b>		<b>R</b>	
Electronic combustion controller.....	120	Raising reduced room temperature.....	118
Extension		Reduced set room temperature.....	42
– AM1.....	112	Reducing heat-up output.....	118
– EA1.....	113	Reducing heat-up time.....	118
– Internal H1.....	110	Relay test.....	75
– Internal H2.....	111	Remote control.....	119
Extension kit for heating circuit with mixer .....	90	Removing a fault display.....	77
External blocking.....	115	Report.....	123
External demand.....	115	Rotational direction, mixer motor	
<b>F</b>		– Changing.....	91
Fault codes.....	78	– Checking.....	90
Fault history.....	77	<b>S</b>	
Fault manager.....	43	Screed drying.....	116
Fault memory.....	77, 78	Screed drying function.....	116
Fault messages, calling up.....	77	Service level, calling up.....	71
Faults.....	77	Service menu, calling up.....	71
Fill water.....	27	Set room temperature selection.....	42
Flue gas temperature sensor.....	89	Specification .....	124
Function description.....	108	Standard set room temperature.....	42
Function testing.....	75	Static pressure.....	33
Fuse.....	90	Supply pressure.....	32
<b>G</b>		System filling.....	27
Gas supply pressure.....	33	System pressure.....	27
Gas train .....	33	System schemes.....	41, 46
Gas type.....	31		
Gas type conversion.....	31		

**Keyword index** (cont.)**T**

Tightness test, balanced flue system..... 34  
Time, setting.....28  
Trap..... 30, 39

**V**

Venting..... 29  
Venting program..... 116  
Vitotronic 200-H..... 91

**W**

Wiring diagram..... 121

## Applicability

**These service instructions relate to appliances with the following serial numbers (see type plate):**

7571044

7506551

Viessmann Werke GmbH & Co. KG  
D-35107 Allendorf  
Telephone: +49 6452 70-0  
Fax: +49 6452 70-2780  
[www.viessmann.com](http://www.viessmann.com)

Viessmann Limited  
Hortonwood 30, Telford  
Shropshire, TF1 7YP, GB  
Telephone: +44 1952 675000  
Fax: +44 1952 675040  
E-mail: [info-uk@viessmann.com](mailto:info-uk@viessmann.com)

5775 654 GB Subject to technical modifications.