

Replacing the control unit

for Vitodens 111-W

Safety instructions



Please follow these safety instructions closely to prevent accidents and material losses.

Safety instructions explained



Please note

This symbol warns against the risk of material losses and environmental pollution.

Note

Details identified by the word "Note" contain additional information.

Installation, initial start-up, inspection, maintenance and repairs must only be carried out by a competent person (heating engineer/installation contractor).

Before working on the equipment/heating system, isolate the power supply (e.g. by removing a separate mains fuse or by means of a mains isolator) and safeguard against unauthorised reconnection.

When using gas as fuel, also close the main gas shut-off valve and safeguard against unauthorised reopening.

Repairing components which fulfil a safety function can compromise the safe operation of your heating system. For replacements, use only original spare parts supplied or approved by Viessmann.

Opening the Vitodens



Installation and service instructions

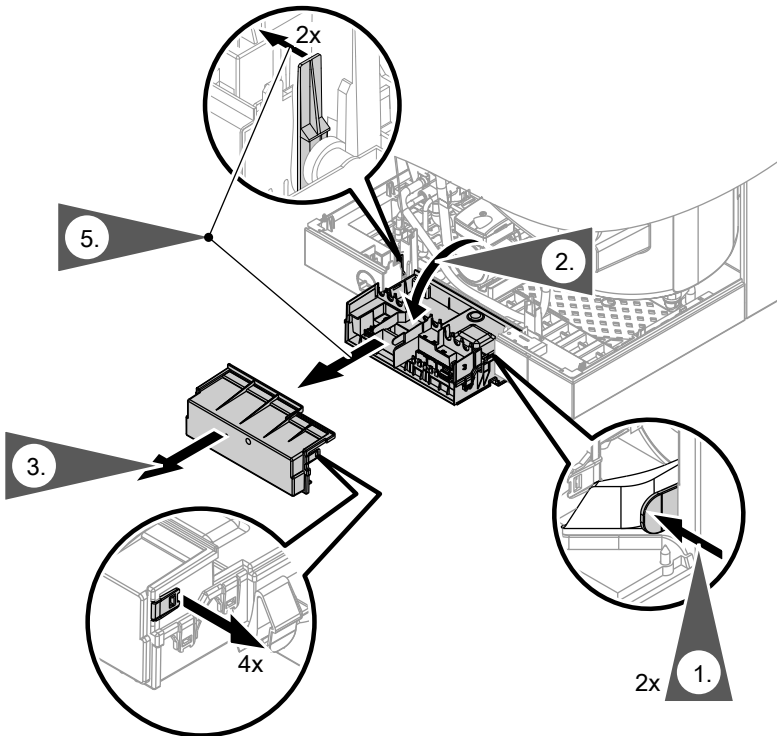
Replacing the control unit



Please note

Electronic assemblies can be damaged by electrostatic discharge.

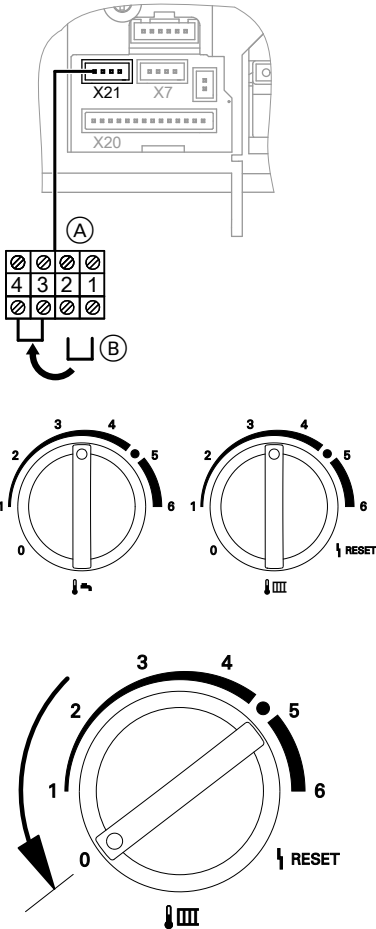
Prior to commencing any work, touch earthed objects, such as heating or water pipes to discharge static loads.



1. Push in the side locking tabs.
2. Pivot control unit forward.
3. Remove the cover.
4. Pull all plugs from the control unit.
5. Release 2 locking tabs and remove the control unit.
6. Insert the new control unit into the control unit support.
7. Connect all plugs to the control unit.

Matching the control unit to the boiler

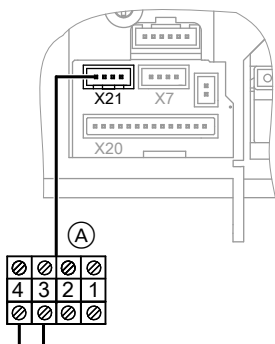
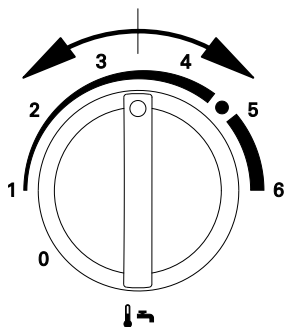
The new control unit must be set to the boiler. Select and set the relevant parameter set.



1. Plug cable (A) provided with the new control unit into "X 21".
2. Remove jumper (B) across terminals 1 and 2, and insert across terminals 3 and 4.
3. Switch ON the ON/OFF switch.
4. Turn both rotary selectors "🔌" and "🌡️" simultaneously to their centre position.
The display shows "SERV".
5. Turn rotary selector "🌡️" fully anti-clockwise within 2 s.
In the display the value for the selected parameter set (1 - 3) flashes.
6. Select the parameter set that suits the boiler in accordance with the following table and the serial number (see type plate).



Matching the control unit to the boiler (cont.)



7. Use rotary selector "↓↶" to select the relevant parameter set.
8. The selected operating mode has been accepted when the value stops flashing. The control unit returns to standard mode.
9. Enable parameter setting:
Turn the control unit ON/OFF switch first OFF and then ON again.
10. Turn OFF the ON/OFF switch and remove new cable (A) from "X 21". It is no longer required.
11. If a lead was previously connected to "X 21" at the control unit (remote control unit or outside temperature sensor):
Reconnect this lead to "X 21".

Matching the control unit to the boiler (cont.)

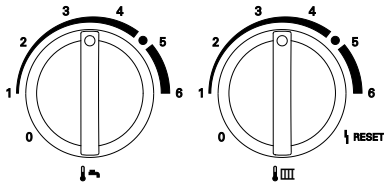
Serial no. (type plate)	Parameter set no.
7487 555	2
7499 472	1
7499 473	2
7499 474	3
7499 475	1
7499 476	3
7499 477	2
7499 478	3
7499 479	1
7499 480	2
7499 481	3
7499 483	3
7499 484	2
7499 485	3
7499 486	2
7499 487	3

Serial no. (type plate)	Parameter set no.
7543 436	1
7543 437	2
7543 438	3
7543 439	1
7543 440	2
7543 441	3
7543 442	2
7543 443	3
7543 444	1
7543 445	2
7543 446	3
7543 447	3
7543 448	2
7543 449	3

Changing the gas type at the control unit

Note

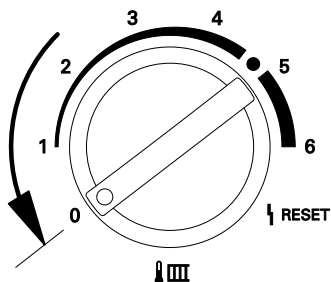
The gas type only needs to be converted for operation with LPG. In the delivered condition, the control unit is set to operate with natural gas.



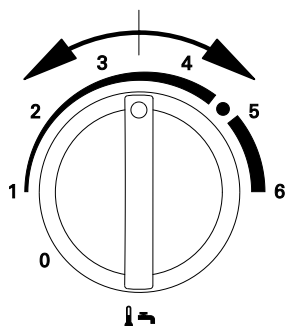
1. Switch ON the ON/OFF switch.
2. Turn both rotary selectors "⏻" and "⏻" simultaneously to their centre position.
The display shows "SERV".



Changing the gas type at the control unit (cont.)



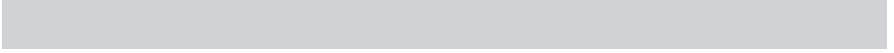
3. Turn rotary selector "🔥|||" fully anti-clockwise within 2 s.
"👁️" and the selected value will flash.



4. Use rotary selector "🔥🚒" to convert the control unit to natural gas or LPG.
The display shows:
 - "0" for operation with natural gas
or
 - "1" for operation with LPG
5. The selected gas type has been accepted when the value stops flashing. The control unit returns to standard mode.

Closing the control unit and starting the boiler

1. Close the control unit enclosure and pivot up the control unit.
2. Fit the front panel.
3. Start the boiler and check for correct function.



Viessmann Werke GmbH&Co KG
D-35107 Allendorf
Telephone: +49 6452 70-0
Fax: +49 6452 70-2780
www.viessmann.com

Viessmann Limited
Hortonwood 30, Telford
Shropshire, TF1 7YP, GB
Telephone: +44 1952 675000
Fax: +44 1952 675040
E-mail: info-uk@viessmann.com

5815 105 GB Subject to technical modifications.