

Installation and service instructions

for contractors

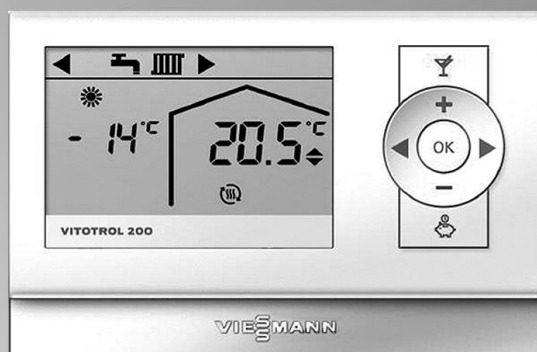
VIESMANN

Vitotrol 200A

Remote control, part no. 7438 363



VITOTROL 200A



Safety instructions



Please follow these safety instructions closely to prevent accidents and material losses.

Safety instructions explained



Danger

This symbol warns against the risk of injury.



Please note

This symbol warns against the risk of material losses and environmental pollution.

Note

Details identified by the word "Note" contain additional information.

Target group

These instructions are exclusively designed for qualified personnel.

- Work on gas equipment must only be carried out by a qualified gas fitter.
- Work on electrical equipment must only be carried out by a qualified electrician.
- The system must be commissioned by the system installer or a qualified person authorised by the installer.

Regulations

Observe the following when working on this system

- all legal instructions regarding the prevention of accidents,
- all legal instructions regarding environmental protection,
- the Code of Practice of relevant trade associations,

- all current safety regulations as defined by DIN, EN, DVGW, TRGI, TRF, VDE and all locally applicable standards,
- Gas Safety (Installation & Use) Regulations
 - the appropriate Building Regulation either the Building regulations, the Building Regulation (Scotland), Building Regulations (Northern Ireland),
 - the Water Fittings Regulation or Water Bylaws in Scotland,
 - the current I.E.E. Wiring Regulations.

If you smell gas



Danger

Escaping gas can lead to explosions which may result in serious injury.

- Never smoke. Prevent naked flames and sparks. Never switch lights or electrical appliances ON or OFF.
- Close the gas shut-off valve.
- Open windows and doors.
- Remove all people from the danger zone.
- Notify your gas or electricity supplier from outside the building.
- Shut off the electricity supply to the building from a safe place (outside the building).

Safety instructions (cont.)

If you smell flue gas



Danger

Flue gas can lead to life-threatening poisoning.

- Shut down the heating system.
- Ventilate the boiler room.
- Close all doors leading to the living space.

Working on the system

- When using gas as fuel, also close the main gas shut-off valve and safeguard against unauthorised reopening.
- Isolate the system from the power supply and check that it is no longer 'live', e.g. by removing a separate fuse or by means of a main isolator.
- Safeguard the system against unauthorised reconnection.



Please note

Electronic modules can be damaged by electro-static discharges.

Touch earthed objects, such as heating or water pipes, to discharge static loads.

Repair work



Please note

Repairing components which fulfil a safety function can compromise the safe operation of your heating system.

Replace faulty components only with original Viessmann spare parts.

Ancillary components, spare and wearing parts



Please note

Spare and wearing parts which have not been tested together with the heating system can compromise its function. Installing non-authorised components and non-approved modifications/conversion can compromise safety and may invalidate our warranty. For replacements, use only original spare parts from Viessmann or those which are approved by Viessmann.

Index

Installation instructions

Installation sequence

Installation location.....	5
Installing and connecting the Vitotrol 200A.....	6
Connecting several remote control units.....	7
Fitting the programming unit.....	9
Removing the programming unit (if required).....	9

Service instructions

Commissioning

Configuring the remote control.....	10
-------------------------------------	----

Specification.....	11
--------------------	----

Parts list.....	12
-----------------	----

Installation location

■ Weather-compensated mode

Installation in any room.

■ Operation with room temperature-dependent control

- On an internal wall in the living space, at a height of approx. 1.5 m from the floor
- Not near windows and doors
- Not above radiators
- Not near heat sources (direct sunlight, fireplace, TV set etc.)

Do not install further controllers in this room. Open any thermostatic radiator valves fully.

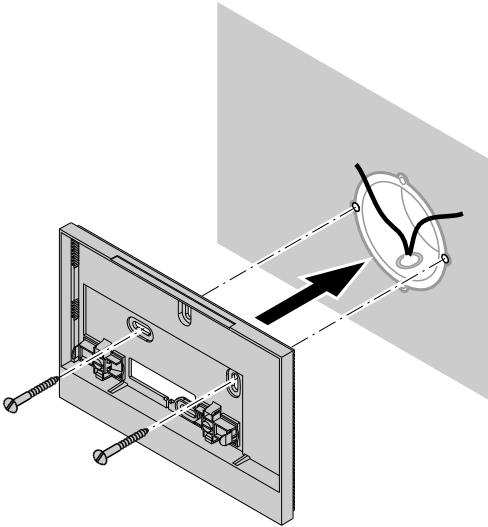
Installing and connecting the Vitotrol 200A



Please note

Electronic modules can be damaged by electrostatic discharges.

Before beginning work, touch earthed objects, such as heating or water pipes, to discharge static loads.



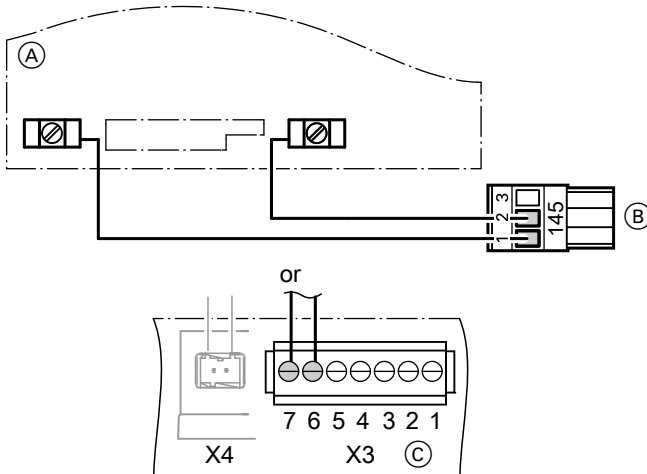
Connection

Two-core cable with a cross-section of at least 0.75 mm,
Cable length up to 50 m.

Note

Never route the cable to the remote control immediately next to 230/400 V cables.

Installing and connecting the Vitotrol 200A (cont.)



- (A) Vitotrol 200A
- (B) 2 or 3-pole plug 145 (to the control unit or the KM BUS distributor)
- (C) Weather-compensated, wall mounted control unit

Connecting several remote control units

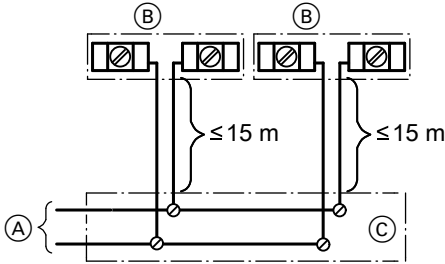
Up to 2 remote control units can be connected to a boiler control unit, incl. a Vitotrol 200A **and** a Vitotrol 300A.



Vitotrol 300A installation instructions

Connecting several remote control units (cont.)

Version 1

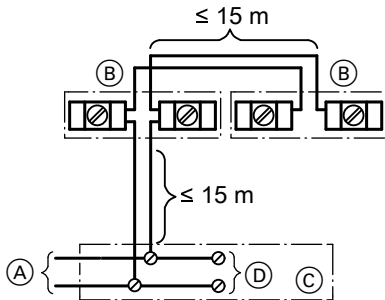


- (A) To the control unit or to the KM BUS distributor (see connection diagram on page 7)
- (B) Vitotrol 200A
- (C) Socket (on site)

■ On-site connection via socket:
Connect in accordance with the diagram

■ Limit the total length of all KM BUS cables to 50 m.

Version 2



- (A) To the control unit or to the KM BUS distributor (see connection diagram on page 7)
- (B) Vitotrol 200A
- (C) Socket (on site)
- (D) Further BUS subscribers

■ If several remote control units and additional KM BUS users are connected, make the connections via an on-site socket as shown in the diagram.

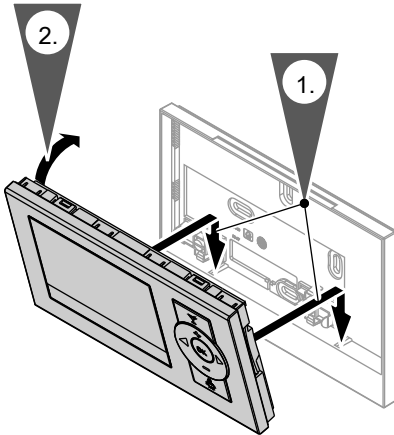
■ Limit the total length of all KM BUS cables to 50 m.

Fitting the programming unit

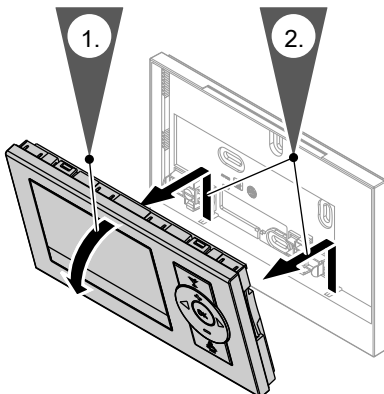


Please note

The remote control is supplied with power by the control unit. Do **not** insert batteries into the programming unit.



Removing the programming unit (if required)



Configuring the remote control

Up to 2 remote controls may be connected to the boiler control unit.



1. Switch ON the power supply on the control unit.
The remote control display shows "H 1".
2. With ▲/▼ select heating circuit 1 ("H 1"), heating circuit ("H 2") or heating circuit ("H 3").

3. **OK** as confirmation.

The operating state of the heating system is transferred.

Rotate the display segments (this may take up to 5 min).

Changing the configuration during the operation

1. Press  and  simultaneously at the remote control for approx. 4 s.
2. With ▲/▼ select heating circuit 1 ("H 1"), heating circuit ("H 2") or heating circuit ("H 3").
3. **OK** as confirmation.
The operating state of the heating system is transferred.
Rotate the display segments (this may take up to 5 min).

Note

If the heating circuit assignment is later cancelled, reset coding address A0 for this heating circuit at the control unit to 0 (fault message bC, bd, bE).

Specification

Power supply via KM BUS

Power consumption 0.2 W

Protection class III

IP rating IP 30 to
EN 60529;
ensure through
appropriate
design and
installation

Permissible ambient temperature

■ during operation 0 to +40 °C

■ during storage and
transport -20 to +65 °C

Set room temperature

range 3 to 37 °C

Parts list

When ordering spare parts

Quote part no. **7438 363** and the pos. no. of the part (as per this parts list).

Obtain standard parts from your local supplier.

Parts not shown

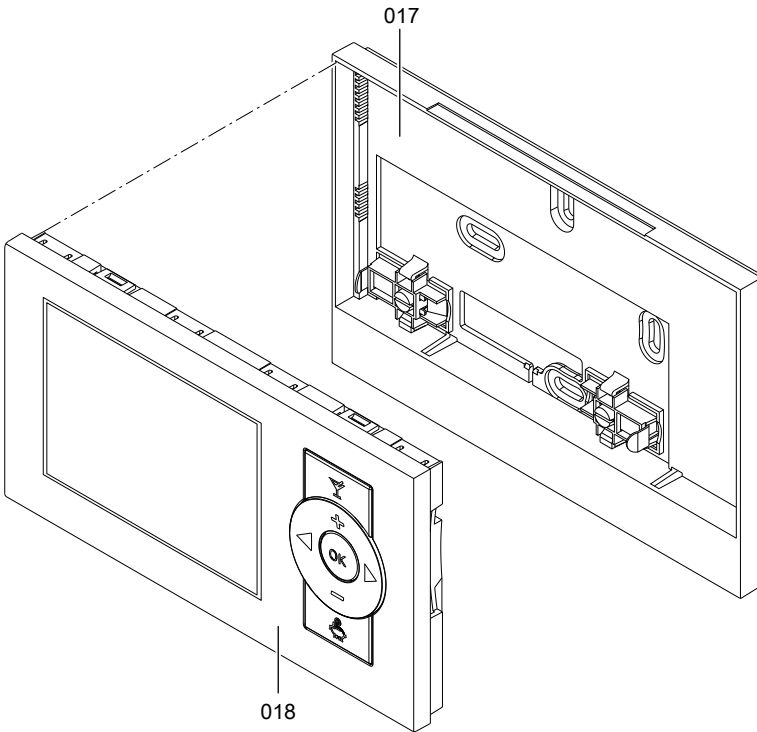
080 Installation and service instructions

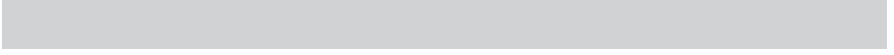
081 Operating instructions

Parts

017 Wall mounting base

018 Programming unit









Viessmann Werke GmbH&Co KG
D-35107 Allendorf
Telephone: +49 6452 70-0
Fax: +49 6452 70-2780
www.viessmann.com

Viessmann Limited
Hortonwood 30, Telford
Shropshire, TF1 7YP, GB
Telephone: +44 1952 675000
Fax: +44 1952 675040
E-mail: info-uk@viessmann.com

5458 250 GB Subject to technical modifications.



Printed on environmentally friendly,
chlorine-free bleached paper