

Replacing the radial fan

for Vitodens 100-W and 111-W

Safety instructions



Please follow these safety instructions closely to prevent accidents and material losses.

Safety instructions explained



Danger

This symbol warns against the risk of injury.



Please note

This symbol warns against the risk of material losses and environmental pollution.

Note

Details identified by the word "Note" contain additional information.

Installation, commissioning, inspection, maintenance and repairs must only be carried out by a competent person (heating engineer/installation contractor).

Before working on the equipment/heating system, isolate the power supply (e.g. by removing a separate mains fuse or by means of a main isolator) and safeguard against unauthorised reconnection.

When using gas as fuel, also close the main gas shut-off valve and safeguard against unauthorised reopening.

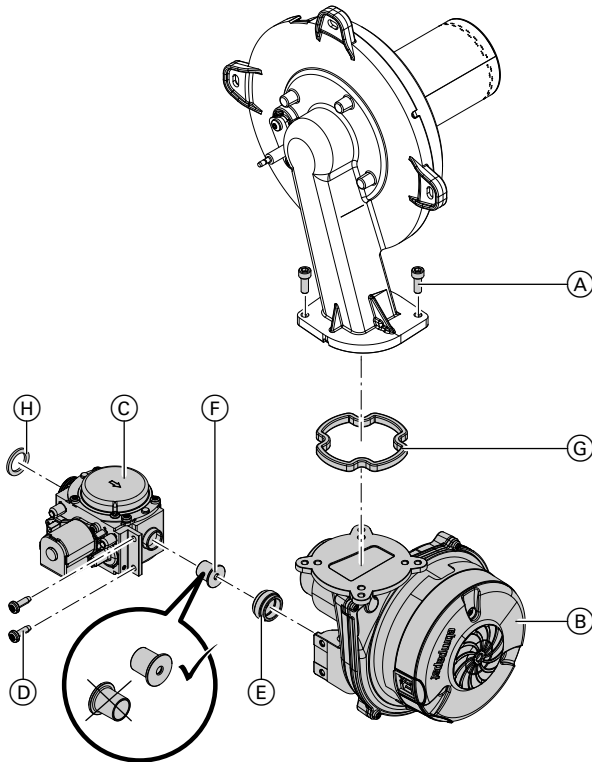
Repairing components that fulfil a safety function can compromise the safe operation of your system. For replacements, use only original spare parts supplied or approved by Viessmann.

Opening the Vitodens and removing the burner



Installation and service instructions

Replacing the radial fan



Vitodens 100-W

Replacing the radial fan (cont.)

Torque for fixing screws: 6 Nm

4. Mount new radial fan (B) with gas train (C) and new gasket (G) on burner.
Torque for fixing screws: 4 Nm

5. Refit burner with new gasket (H).



Installation and service instructions

6. Start the boiler and check for leaks.



Installation and service instructions



Danger

Escaping gas leads to a risk of explosion.

Check all gas equipment for tightness.



Please note

The use of leak detection spray can result in faulty operation.

Leak detection spray must not come into contact with electrical contacts or seal the diaphragm opening on the gas valve.









Viessmann Manufacturing Company
(U.S.) Inc.
45 Access Road
Warwick, Rhode Island · 02886 · USA
TechInfo Line 1-888-484-8643
1-800-288-0667 · Fax (401) 732-0590
www.viessmann-us-com · info@viess-
mamm-us.com



Viessmann Manufacturing Company
Inc.
750 McMurray Road
Waterloo, Ontario · N2V 2G5 · Canada
TechInfo Line 1-888-484-8643
1-800-387-7373 · Fax (519) 885-0887
www.viessmann.ca · info@viess-
mann.ca

5697074 Subject to technical modifications.