

# Installation Instructions

for use by heating contractor



## Air Vent

Part number: 7828750 **Air Vent**

for use with: Vitodens 100-W B1HA and B1KA

### Safety and Installation Requirements

Please ensure that these instructions are read and understood before starting any service work. Failure to comply with these instructions may cause product/property damage, severe personal injury and/or loss of life.

#### Working on the equipment

The installation, adjustment, service and maintenance of this product must be performed by a licensed professional heating contractor who is qualified and experienced in the installation, service, and maintenance of hot water boilers. There are no user serviceable parts on the boiler, burner or control.

Ensure that main power to the equipment being serviced is off.

Ensure that the main fuel supply valve to the boiler is closed.

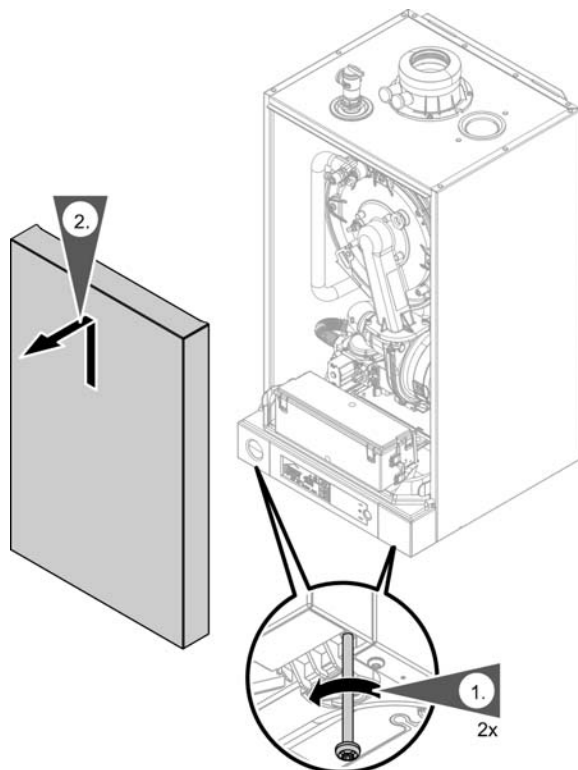
Take precautions to avoid accidental activation of power or fuel during service work.

Do not perform service work on any component part without ensuring safe operation of the heating system. When replacing parts, use original Viessmann or Viessmann approved replacement parts.



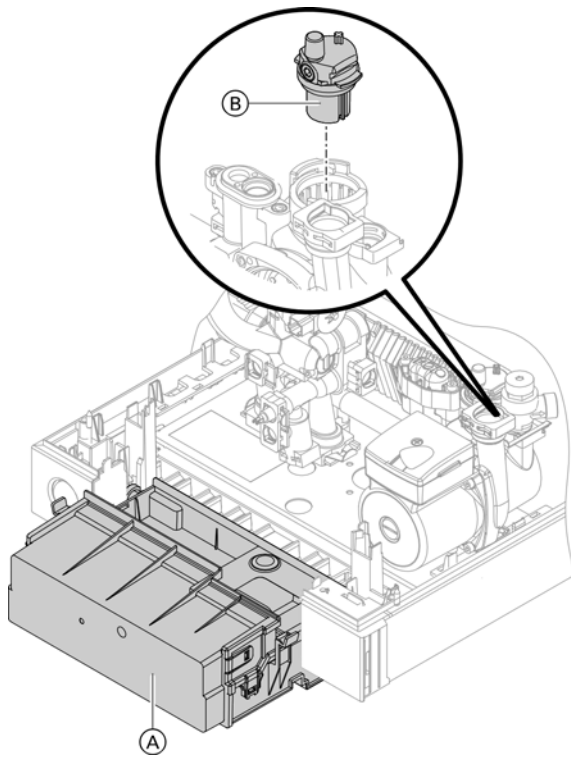
Refer to the Installation and Service Instructions applicable to this boiler.

### Removing the Front Panel



1. Loosen retaining screws (do not remove completely).
2. Remove front panel.

## Replacing the Air Vent



### IMPORTANT

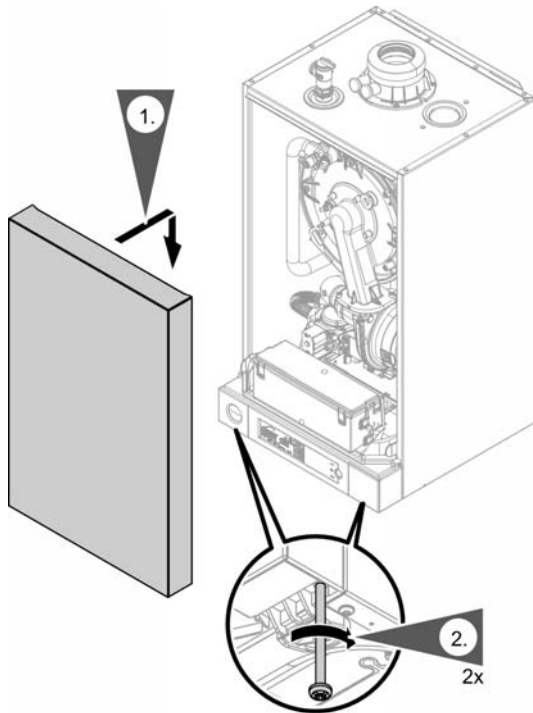
Residual water may leak out during disassembly.

1. Isolate or drain water from the heat exchanger.
2. Press the retaining tabs and fold down the control (A).
3. Twist the air vent (B) one quarter turn counter clock wise and pull out.
4. Install new air vent (B) and twist one quarter turn clock wise to tighten.
5. Return the control (A) into position.
6. Fill boiler with water, purge air and test for leaks.

Printed on environmentally friendly  
(recycled and recyclable) paper.



## Reinstalling the Front Panel



1. Install the front panel.
2. Tighten the screws at the bottom of the boiler.

Technical information subject to change without notice.