

## Replacing the valve insert

for Vitodens and Vitovalor

---

### Safety instructions



**Please follow these safety instructions closely to prevent accidents and material losses.**

#### Safety instructions explained

##### **Note**

*Details identified by the word "Note" contain additional information.*

Installation, initial start-up, inspection, maintenance and repairs must only be carried out by a competent person (heating engineer/installation contractor).

Before working on the equipment/heating system, isolate the power supply (e.g. by removing a separate mains fuse or by means of a mains isolator) and safeguard against unauthorised reconnection.

When using gas as fuel, also close the main gas shut-off valve and safeguard against unauthorised reopening.

Repairing components which fulfil a safety function can compromise the safe operation of your heating system. For replacements, use only original spare parts supplied or approved by Viessmann.

### Opening and draining the appliance

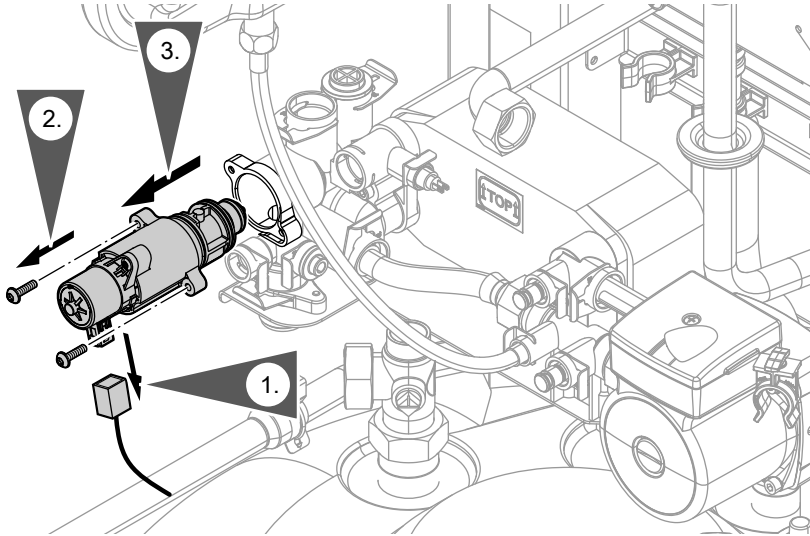
If required, move the control unit into its service position.



Installation and service instructions

## Replacing the valve insert

### Vitodens 222-F and Vitodens 242-F



Reassemble the boiler in reverse order.

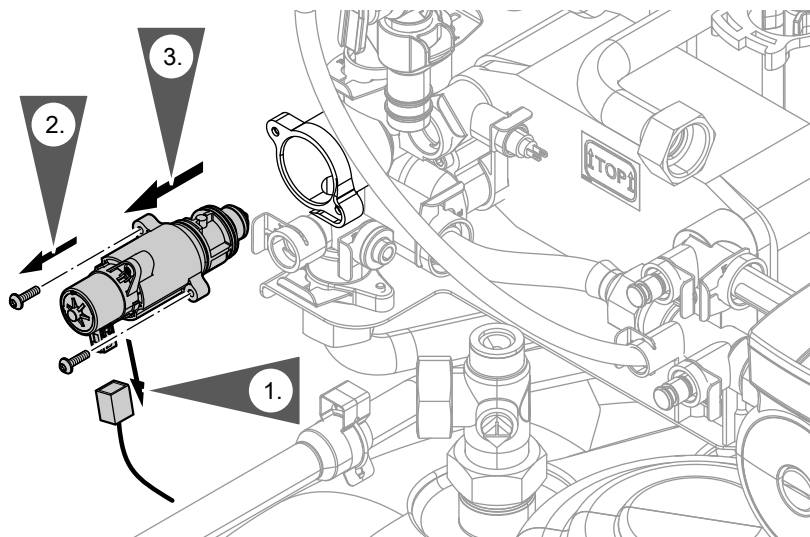
Torque for fixing screws 4 Nm.

**Note**

*Insert new gaskets on all water connections.*

## Replacing the valve insert (cont.)

### Vitodens 333-F, type: B3T..., FS3... and Vitodens 343-F



Reassemble the boiler in reverse order.

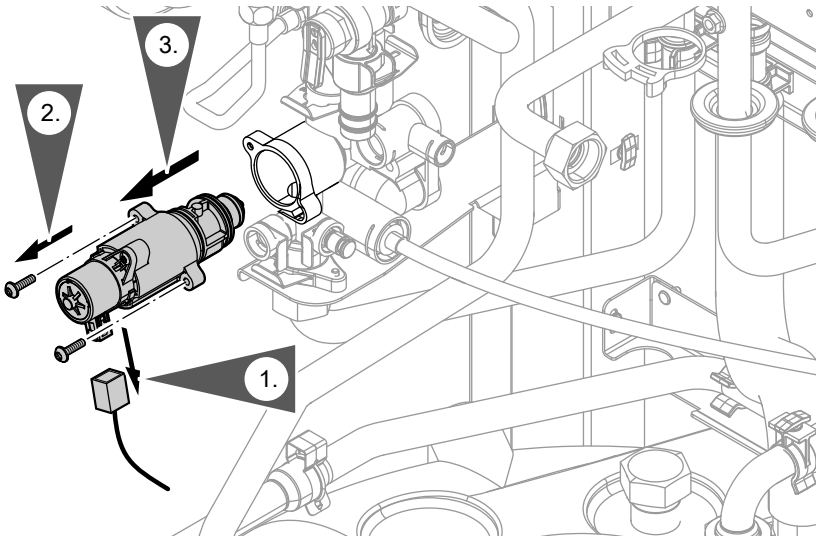
Torque for fixing screws 4 Nm.

**Note**

*Insert new gaskets on all water connections.*

## Replacing the valve insert (cont.)

Vitodens 111-F, Vitodens 222-F and Vitodens 333-F, type: FR3...



Reassemble the boiler in reverse order.

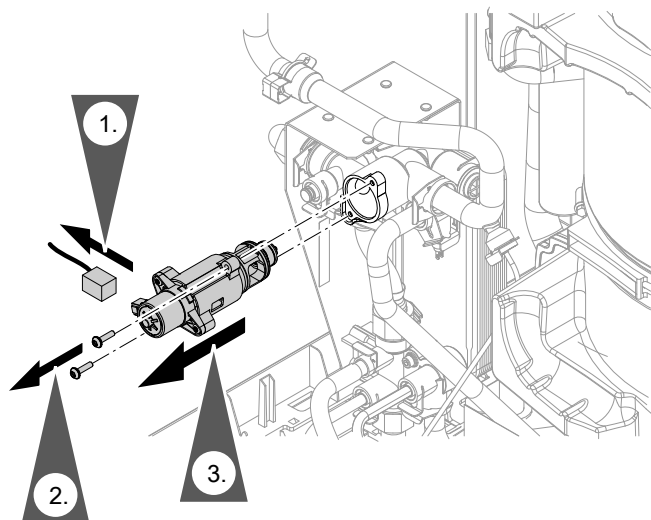
Torque for fixing screws 4 Nm.

**Note**

*Insert new gaskets on all water connections.*

## Replacing the valve insert (cont.)

### Vitodens 111-W and Vitodens 222-W



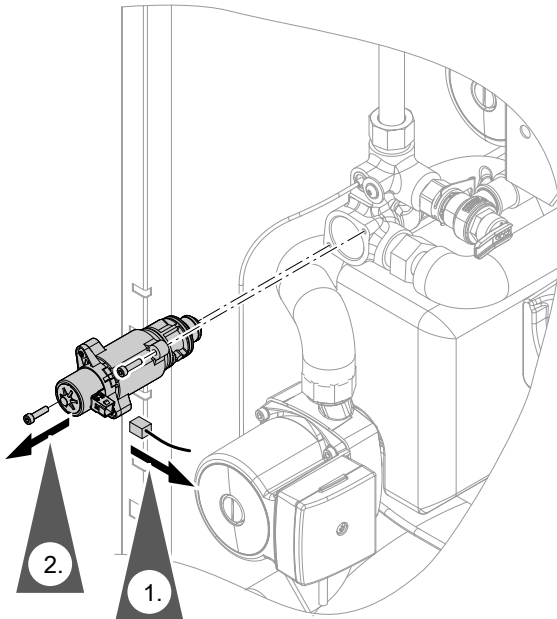
Reassemble the boiler in reverse order.

Torque for fixing screws 4 Nm.

**Note**  
*Insert new gaskets on all water connections.*

## Replacing the valve insert (cont.)

### Vitovvalor 300-P



Shown: Vitovvalor 300-P, type C3TB

Reassemble the boiler in reverse order.

Torque for fixing screws 4 Nm.

#### **Note**

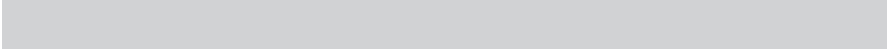
*Insert new gaskets on all water connections.*

## Starting the boiler

Fill the boiler with water, vent (flush) and check connections for tightness.



Installation and service instructions





Viessmann Werke GmbH & Co. KG  
D-35107 Allendorf  
Telephone: +49 6452 70-0  
Fax: +49 6452 70-2780  
[www.viessmann.com](http://www.viessmann.com)

Viessmann Limited  
Hortonwood 30, Telford  
Shropshire, TF1 7YP, GB  
Telephone: +44 1952 675000  
Fax: +44 1952 675040  
E-mail: [info-uk@viessmann.com](mailto:info-uk@viessmann.com)

5418 986 GB Subject to technical modifications.