

Installation Instructions

for use by heating contractor

Gas Valve

for Vitodens 200-W, WB2B

Part Number: 7836324

Safety and Installation Requirements

Please ensure that these instructions are read and understood before starting any service work. Failure to comply with these instructions may cause product/property damage, severe personal injury and/or loss of life.

Working on the equipment

The installation, adjustment, service and maintenance of this product must be performed by a licensed professional heating contractor who is qualified and experienced in the installation, service, and maintenance of hot water boilers.

There are no user serviceable parts on the boiler, burner or control.

Ensure that main power to the equipment being serviced is off.

Ensure that the main fuel supply valve to the boiler is closed.

Take precautions to avoid accidental activation of power or fuel during service work.

Do not perform service work on any component part without ensuring safe operation of the heating system. When replacing parts, use original Viessmann or Viessmann approved replacement parts.



Refer to the Installation and Start-up/Service Instructions applicable to this boiler.

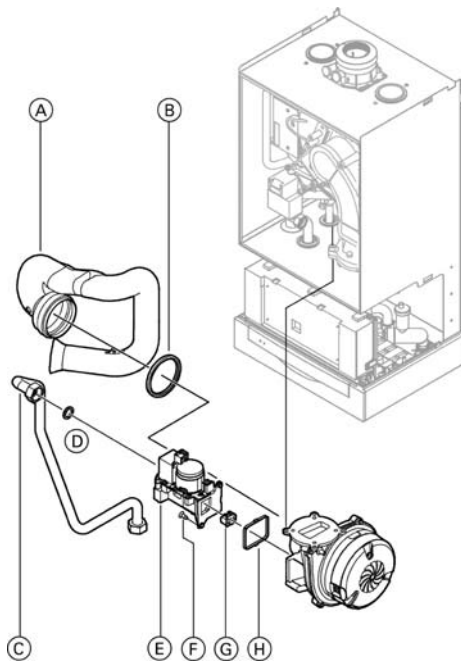
Accessing the Burner Assembly

1. With the electrical power and fuel supply off, open the control cover and switch the ON/OFF "Ⓢ" boiler control switch to OFF.
2. Remove the front enclosure panel.



For more details refer to the Installation and Start-up/Service Instructions applicable to this boiler.

Vitodens 200-W, WB2B 19, 26, 35

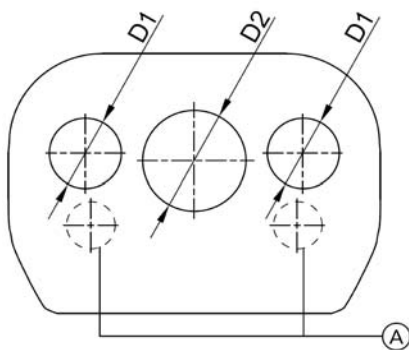


Legend

Tightening torque of fasteners:

Ⓒ 22 lb.ft (30 Nm)

Ⓕ 35 lb.in. (4 Nm)



⚠ WARNING

Gas leaks can lead to explosions.
Check the gas pipe seals to ensure that there are no leaks.

1. Remove the Venturi extension (A) and gasket (B).
2. Loosen the gas connection pipe (C).
3. Remove the two 4 mm Allen screws (F) and remove gas valve (E).
4. Remove, using pliers, and discard shipping plug in replacement gas valve outlet (location (G)) before installing orifice.
5. Remove, using pliers, orifice (G) out of gas valve being replaced and insert into new gas valve.

Note: Refer to 'Identification of the Fixed Gas Orifice' Chart.

IMPORTANT

Install new gas connection pipe gasket (D) and profile gasket (H) as supplied.

6. Set adjusting screw on gas valve to:
 - 1 for natural gas or
 - 2 for liquid propane gas
7. Reassemble as per steps 3 through 1 respectively and torque fasteners.
8. Install the front enclose panel.
9. Place the boiler back in operation.



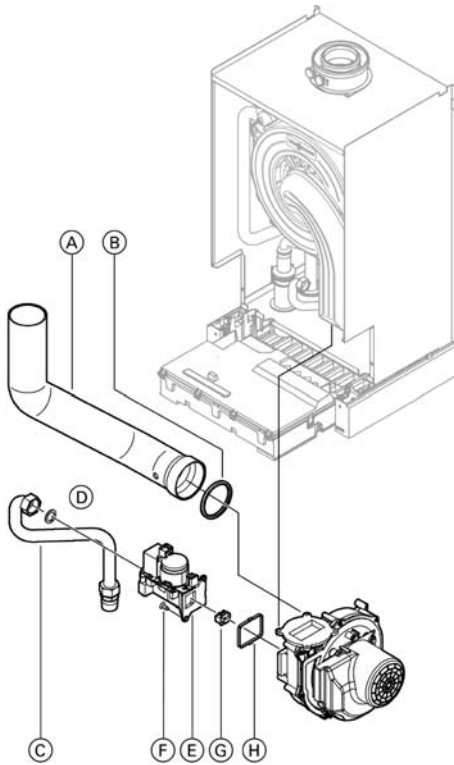
Refer to the Installation and Service Instructions applicable to this boiler.

Identification of the Fixed Gas Orifice

WB2B Boiler Size 19, 26, 35

Color	black
Stamped No. (A)	0 6
D1	3.20 mm
D2	4.20 mm

Vitodens 200-W, WB2B 45, 60



Legend

Tightening torque of fasteners:

- Ⓒ 16.2 lb.ft (22 Nm)
- Ⓕ 35 lb.in. (4 Nm)

⚠ WARNING

Gas leaks can lead to explosions. Check the gas pipe seals to ensure that there are no leaks.

1. Remove the Venturi extension (A) and gasket (B).
2. Loosen the gas connection pipe (C).
3. Remove the two 4 mm Allen screws (F) and remove gas valve (E).
4. Remove, using pliers, and discard shipping plug in replacement gas valve outlet (location (G)) before installing orifice.
5. Remove, using pliers, orifice (G) out of gas valve being replaced and insert into new gas valve.

Note: Refer to 'Identification of the Fixed Gas Orifice' Chart.

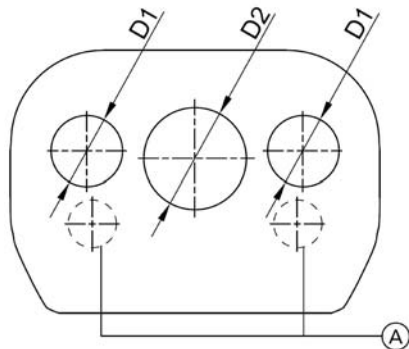
IMPORTANT

Install new gas connection pipe gasket (D) and profile gasket (H) as supplied.

6. Set adjusting screw on gas valve to:
 - 1 for natural gas or
 - 2 for liquid propane gas
7. Reassemble as per steps 3 through 1 respectively and torque fasteners.
8. Install the front enclose panel.
9. Place the boiler back in operation.



Refer to the Installation and Service Instructions applicable to this boiler.

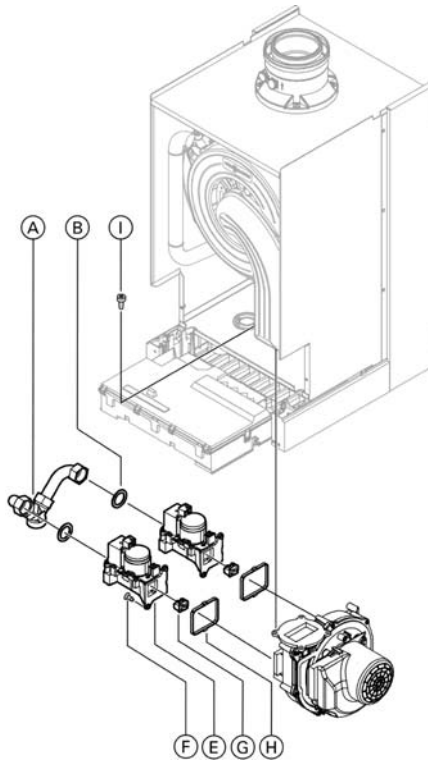


Identification of the Fixed Gas Orifice

WB2B Boiler Size 45, 60

Color	white
Stamped No. (A)	1 0
D1	4.25 mm
D2	5.75 mm

Vitodens 200-W, WB2B 80, 105

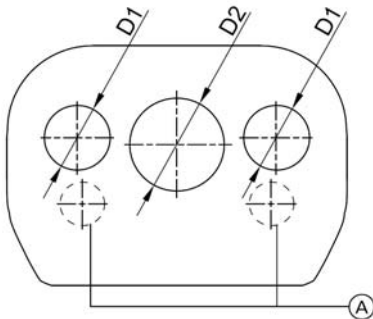


Legend

Tightening torque of fasteners:

Ⓒ 16.2 lb.ft (22 Nm)

Ⓕ 35 lb.in. (4 Nm)



⚠ WARNING

Gas leaks can lead to explosions. Check the gas pipe seals to ensure that there are no leaks.

1. Loosen the gas connection pipe Ⓒ.
2. Remove the two 4 mm Allen screws Ⓕ and remove gas valve Ⓔ.
3. Remove, using pliers, and discard shipping plug in replacement gas valve outlet (location Ⓖ) before installing orifice.
4. Remove, using pliers, orifice Ⓖ out of gas valve being replaced and insert into new gas valve.

Note: Refer to 'Identification of the Fixed Gas Orifice' Chart.

IMPORTANT

Install new gas connection pipe gasket Ⓓ and profile gasket Ⓖ as supplied.

5. Set adjusting screw on gas valve to:
 - 1 for natural gas or
 - 2 for liquid propane gas
6. Reassemble as per steps 3 through 1 respectively and torque fasteners.
7. Install the front enclose panel.
8. Place the boiler back in operation.



Refer to the Installation and Service Instructions applicable to this boiler.

Identification of the Fixed Gas Orifice

WB2B Boiler Size 80, 105

Color	grey
Stamped No. Ⓐ	0 9
D1	3.90 mm
D2	5.20 mm