

Installation and service instructions

for contractors

VIESSMANN

Vitodens 200-W

Type B2HA, B2KA, 3.2 to 35 kW

Gas council no.

- System boilers:
41-819-32; 41-819-33; 41-819-34; 41-819-35
- Combi boilers:
47-819-28; 47-819-29; 47-819-30

For applicability, see the last page

VITODENS 200-W



Safety instructions



Please follow these safety instructions closely to prevent accidents and material losses.

Safety instructions explained



Danger

This symbol warns against the risk of injury.



Please note

This symbol warns against the risk of material losses and environmental pollution.

Note

Details identified by the word "Note" contain additional information.

Target group

These instructions are exclusively intended for qualified contractors.

- Work on gas installations must only be carried out by a registered gas fitter.
- Work on electrical equipment must only be carried out by a qualified electrician.
- The system must be commissioned by the system installer or a qualified person authorised by the installer.

Regulations

Observe the following when working on this system:

- Statutory regulations regarding the prevention of accidents
- Statutory regulations regarding environmental protection
- Codes of practice of the relevant trade associations

- All current safety regulations as defined by DIN, EN, DVGW, TRGI, TRF, VDE and all locally applicable standards
- Gas Safety (Installation & Use) Regulations
 - the appropriate Building Regulation either the Building regulations, the Building Regulation (Scotland), Building Regulations (Northern Ireland),
 - the Water Fittings Regulation or Water Bylaws in Scotland,
 - the current I.E.E. Wiring Regulations.

If you smell gas



Danger

Escaping gas can lead to explosions which may result in serious injury.

- Do not smoke. Prevent naked flames and sparks. Do not switch lights or electrical appliances on or off.
- Close the gas shut-off valve.
- Open windows and doors.
- Evacuate any people from the danger zone.
- Notify your gas or electricity supply utility from outside the building.
- Shut off the electricity supply to the building from a safe place (outside the building).

Safety instructions (cont.)

If you smell flue gas



Danger

Flue gas can lead to life-threatening poisoning.

- Shut down the heating system.
- Ventilate the installation site.
- Close all doors in the living space.

Flue systems and combustion air

Ensure that flue systems are clear and cannot be sealed, for instance due to accumulation of condensate or other causes. Ensure a sufficient supply of combustion air.

Instruct system users that subsequent modifications to the building characteristics are not permissible (e.g. cable/pipe-work routing, cladding or partitions).



Danger

Life-threatening poisoning caused by carbon monoxide in the flue gas occurs as a result of leaking or blocked flue systems or an insufficient supply of combustion air.

Ensure the flue system is in proper working order. It must not be possible to close apertures for interconnected combustion air supply.

Extractors

Operating appliances that extract air to the outside (cooker hoods, extractors, air conditioning units, etc.) can create negative pressure. If the boiler is operated at the same time, this can lead to reverse flow of the flue gas.



Danger

The simultaneous operation of the boiler and appliances that extract air to the outside can result in life threatening poisoning due to reverse flow of the flue gas.

Fit an interlock circuit or take suitable steps to ensure a sufficient supply of combustion air.

Working on the system

- Where gas is used as the fuel, close the main gas shut-off valve and safeguard it against unintentional reopening.
- Isolate the system from the power supply (e.g. by removing the separate fuse or by means of a mains isolator) and check that it is no longer 'live'.
- Safeguard the system against reconnection.



Please note

Electronic assemblies can be damaged by electrostatic discharge.

Prior to commencing any work, touch earthed objects, such as heating or water pipes to discharge static loads.

Repair work



Please note

Repairing components that fulfil a safety function can compromise the safe operation of your system.

Defective components must be replaced with genuine Viessmann spare parts.

Safety instructions (cont.)

Auxiliary components, spare and wearing parts



Please note

Spare and wearing parts that have not been tested together with the system can compromise its function. Installing non-authorised components and making non-approved modifications or conversions can compromise safety and may invalidate our warranty.

For replacements, use only original spare parts supplied or approved by Viessmann.

Index

Installation instructions

Preparing for installation

Intended use.....	7
Product information.....	7
Preparing for installation.....	8

Installation sequence

Fitting the boiler and making connections.....	11
Flue gas connection.....	12
Condensate connection.....	13
Gas connection.....	14
Opening the control unit casing.....	15
Electrical connections.....	16
Closing the control unit casing and inserting the programming unit.....	25
Fitting the front panel.....	26

Service instructions

Commissioning, inspection, maintenance

Steps - commissioning, inspection and maintenance.....	27
Further details regarding the individual steps.....	29

Code 1

Calling up coding level 1.....	60
"General"/group 1.....	61
"Boiler"/group 2.....	64
"DHW"/group 3.....	64
"Solar"/group 4.....	65
"Heating circuit ..."/group 5.....	67

Code 2

Calling up coding level 2.....	73
"General"/group 1.....	74
"Boiler"/group 2.....	82
"DHW"/group 3.....	84
"Solar"/group 4.....	86
"Heating circuit ..."/group 5.....	91

Diagnosis and service scans

Service level.....	100
Diagnosis.....	101
Checking outputs (actuator test).....	107

Index (cont.)

Troubleshooting

Fault display..... 110
 Fault codes..... 112
 Repairs..... 129

Function description

Constant temperature control unit..... 139
 Weather-compensated control unit..... 140
 Internal extensions (accessories)..... 142
 External extensions (accessories)..... 144
 Control functions..... 148
 Allocating heating circuits to the remote control..... 156
 Electronic combustion control unit..... 156

Designs

Connection and wiring diagram – Internal connections 158
 Connection and wiring diagram – External connections..... 160

Parts lists

Ordering individual parts..... 162
 Overview of the assemblies..... 163
 Casing..... 164
 Heat cell..... 165
 Burner..... 168
 Hydraulics type B2HA..... 169
 Hydraulics type B2KA..... 172
 Control unit..... 176
 Miscellaneous..... 177

Commissioning/service reports..... 179

Specification..... 180

Certificates

Declaration of conformity..... 182
 Manufacturer's certificate according to the 1st BImSchV [Germany]..... 182

Keyword index..... 183

Intended use

The appliance is only intended to be installed and operated in sealed unvented heating systems that comply with EN 12828, with due attention paid to the associated installation, service and operating instructions. It is only designed for the heating of water that is of potable water quality.

Intended usage presupposes that a fixed installation in conjunction with permissible, system-specific components has been carried out.

Commercial or industrial usage for a purpose other than heating the building or DHW does not comply with regulations.

Any usage beyond this must be approved by the manufacturer for the individual case.

Incorrect usage or operation of the appliance (e.g. the appliance being opened by the system user) is prohibited and results in an exclusion of liability. Incorrect usage also occurs if the components in the heating system are modified from their intended function (e.g. if the flue gas and ventilation air paths are sealed).

Product information

Vitodens 200-W, type B2HA, B2KA

Set up for operation with natural gas E. For conversion to LPG P (without conversion kit), see "Commissioning, inspection, maintenance".

In principle the Vitodens 200-W may only be delivered to countries listed on the type plate. For deliveries to alternative countries, an approved contractor must arrange individual approval on his own initiative and in accordance with the law of the country in question.



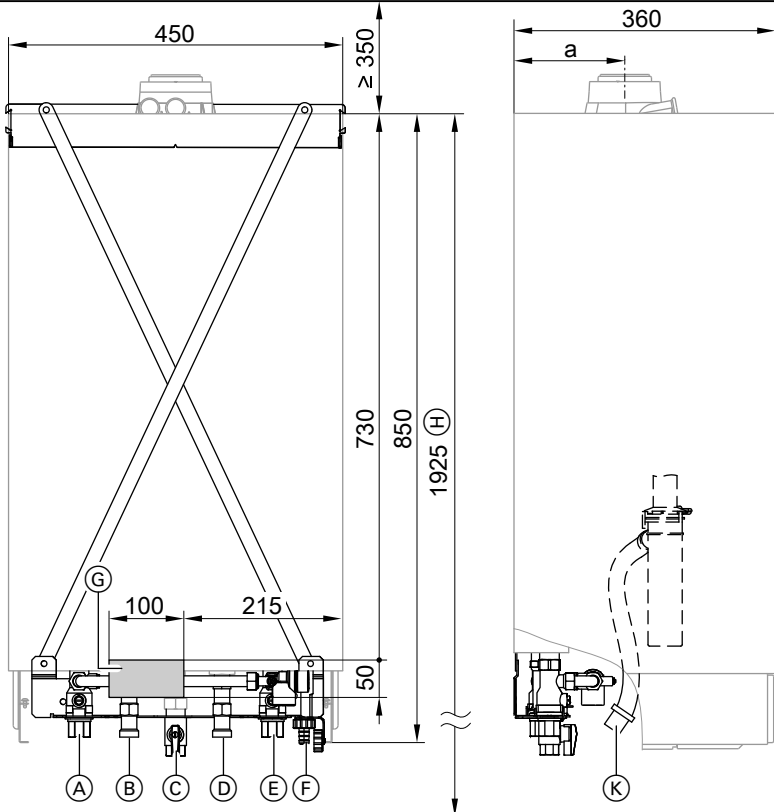
Preparing for installation



Please note

To prevent equipment damage,

connect all pipework free of load and torque stress.



- (A) Heating flow Rp $\frac{3}{4}$
- (B) DHW Rp $\frac{1}{2}$ (combi boilers)
Cylinder flow G $\frac{3}{4}$ (system boiler)
- (C) Gas connection
- (D) Cold water Rp $\frac{1}{2}$ (combi boilers)
Cylinder return G $\frac{3}{4}$ (system boiler)

- (E) Heating return Rp $\frac{3}{4}$
- (F) Filling/draining
- (G) Wiring area
- (H) Min. clearances below the boiler
- (K) Condensate drain

Preparing for installation (cont.)

Rated heating output kW	Dim. a mm
3.2 - 19.0	136
6.5 - 26.0	158
8.8 - 35.0	158

Note

This boiler (IP rating: IP X4D) is approved for installation in wet rooms inside safety zone 1 in accordance with IEEE Wiring Regulations, providing the occurrence of hosed water can be ruled out.

Observe the IEEE Wiring Regulations.

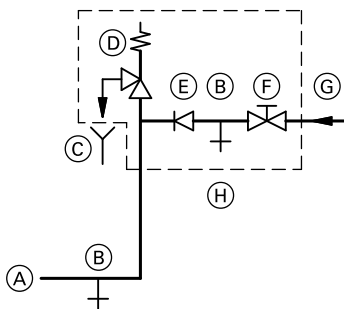
1. Fit the supplied pre-plumbing jig or mounting frame at the installation location.



Pre-plumbing jig or mounting frame installation instructions.

2. Prepare the connections on the water side to the valves on the pre-plumbing jig or mounting frame. Thoroughly flush the heating system.
3. Prepare the gas connection according to TRGI or TRF [or local regulations].
4. Prepare the electrical connections.
 - Power cable: NYM-J 3 x 1.5 mm², fuse max. 16 A, 230 V, 50 Hz.
 - Accessory cables: NYM with the required number of conductors for the external connections.
 - All cables should protrude 1200 mm from the wall near "Ⓞ".

Cold water installation



- Ⓐ Cold water connection, boiler
- Ⓑ Drain
- Ⓒ Visible discharge pipe outlet point
- Ⓓ Safety valve
- Ⓔ Non-return valve

- Ⓞ Shut-off valve
- Ⓟ Cold water
- Ⓠ Safety assembly

Safety assembly Ⓠ must be installed as per the Water Regulation Guide if the mains water supply pressure exceeds 10 bar, and no DHW pressure reducing valve is installed.

Only use a non-return valve or a combined shut-off and non-return valve in conjunction with a safety valve.

If the safety valve is used, the cold water shut-off valve on the boiler must not be shut off.

Preparing for installation (cont.)

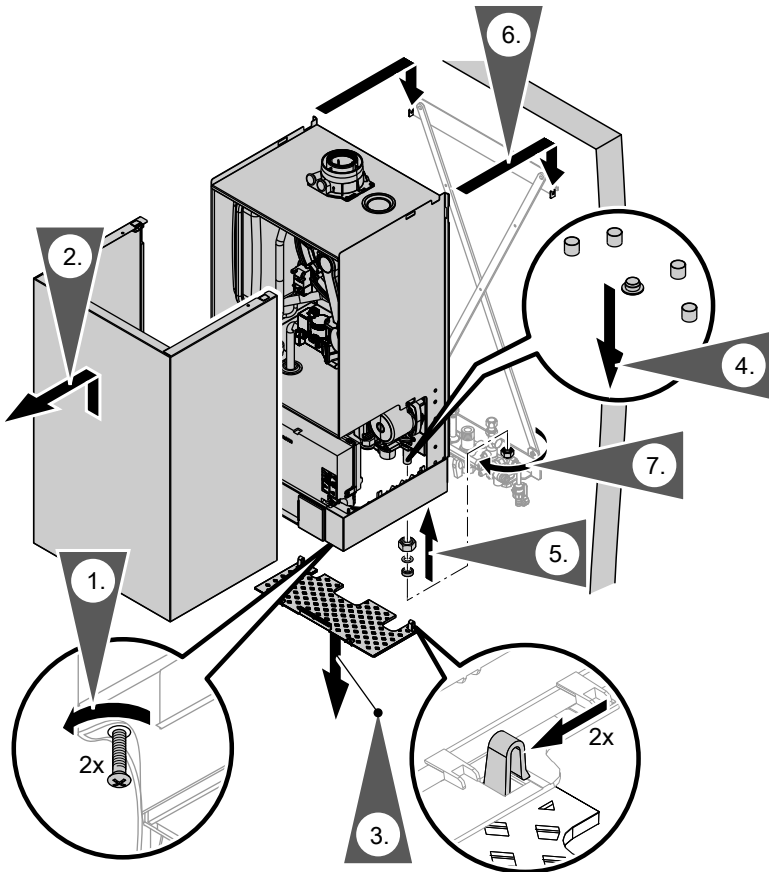
Remove the toggle on the cold water shut-off valve (if installed) to prevent anyone shutting it off manually.

Shock arrestor

If draw-off points that could cause pressure peaks (water hammer/shock) are connected to the same pipework as the boiler (such as pressure washers, washing machines or dishwashers), we would recommend the installation of a shock arrestor near the source of such pressure shocks.

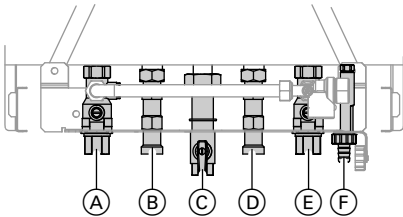
ⓄGB: Fit a small domestic expansion vessel if water hammer occurs.

Fitting the boiler and making connections



Fitting the boiler and making connections (cont.)

Fitting the connections



- (A) Heating flow
- (B) DHW (combi boilers)
Cylinder flow (system boiler)

- (C) Gas connection
- (D) Cold water (combi boilers)
Cylinder return (system boiler)
- (E) Heating return
- (F) Filling/draining

Flue gas connection

Note

- The labels "System certificate" and "Skoberne GmbH flue system" enclosed with the technical documentation may only be used in conjunction with the Viessmann flue system made by Skoberne.
- During installation and positioning of the flue system, observe Part J and BS 5440 building regulations.



Connecting the balanced flue
Flue system installation instructions.

Do not carry out **commissioning** until the following conditions are met:

- Free passage through the flue gas pipes.
- Flue system with positive pressure is gas-tight.

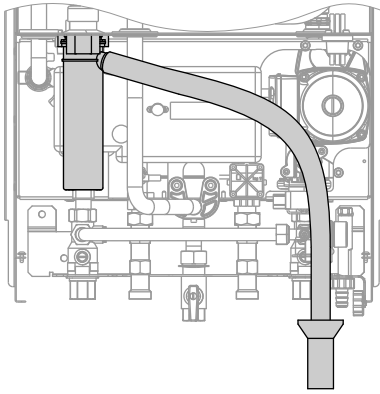
- Apertures for ensuring sufficient combustion air supply are open and cannot be closed off.
- Applicable regulations on installing and commissioning flue systems have been followed.



Danger

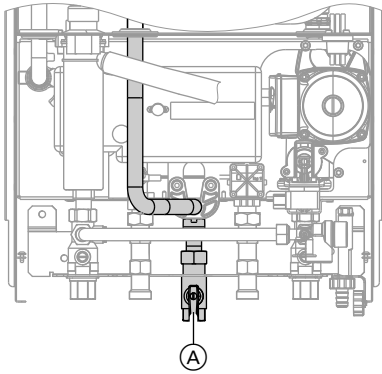
Leaking or blocked flue systems or an insufficient supply of combustion air cause life threatening poisoning due to carbon monoxide in the flue gas. Ensure the flue system functions correctly. Apertures for combustion air supply must not be able to be closed off.

Condensate connection



1. Pull the condensate hose far enough out of the boiler that no unnecessary bends are created inside the boiler. Check the tightness of the siphon connection.
2.
 - The condensate pipe is connected with the discharge pipe of the safety valve. The condensate hose supplied meets the temperature requirements that are part of the CE certification.
 - We recommend the internal connection of the condensate pipe to the domestic drain, either directly or via a tundish.
 - If the condensate pipe is routed outside the building, use a pipe with \varnothing 30 mm at least, and protect this pipe from frost. Avoid long external pipelines.
- !** **Please note**
 Frozen condensate pipes can result in faults and damage to the boiler. Always insulate condensate pipes against frost.
- Observe local building regulations. Connect condensate pipe (A) to the public sewage system with a constant fall and a pipe vent. Observe the local waste water regulations.
- Note**
Fill the siphon with water before commissioning.

Gas connection



1. Seal gas shut-off valve (A) into the gas supply pipe.
2. Carry out a tightness test.

Note

Only use suitable and approved leak detection agents (EN 14291) and devices for the tightness test. Leak detection agents with unsuitable constituents (e.g. nitrites, sulphides) can cause material damage.

Remove residues of the leak detection agent after testing.



Please note

Excessive test pressure may damage the boiler and the gas valve.

Max. test pressure 150 mbar.
Where higher pressure is required for tightness tests, disconnect the boiler and the gas valves from the gas supply pipe (undo the fitting).

3. Vent the gas line.



Conversion to other gas types:
Service instructions (details for converting to LPG are on page 35)

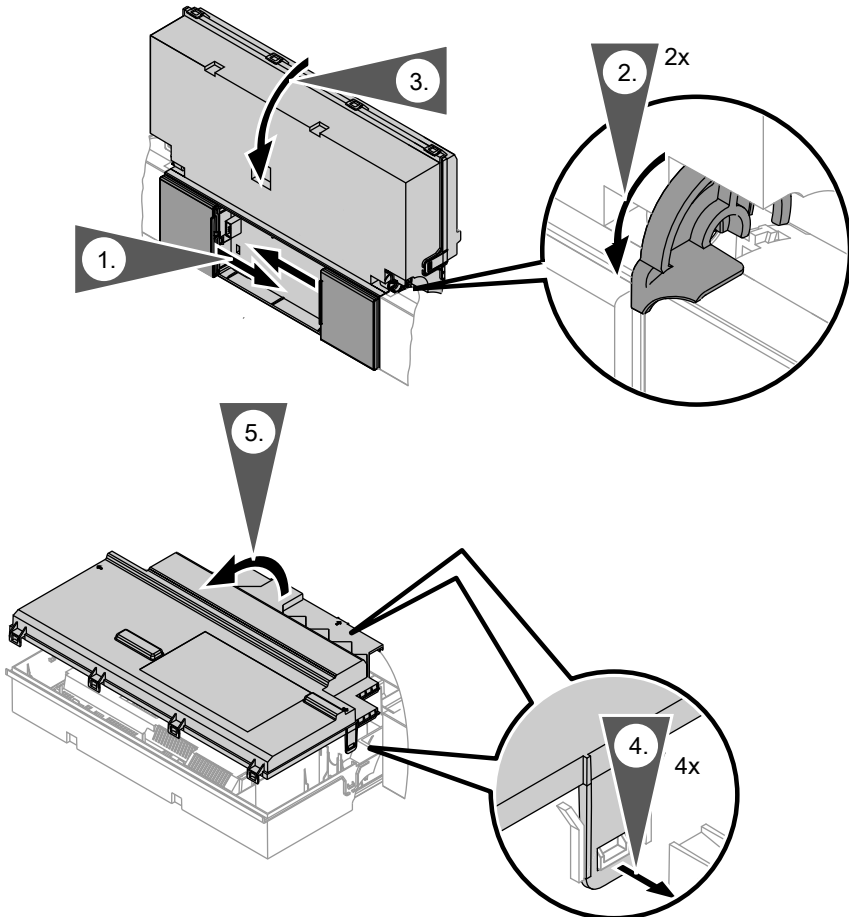
Opening the control unit casing



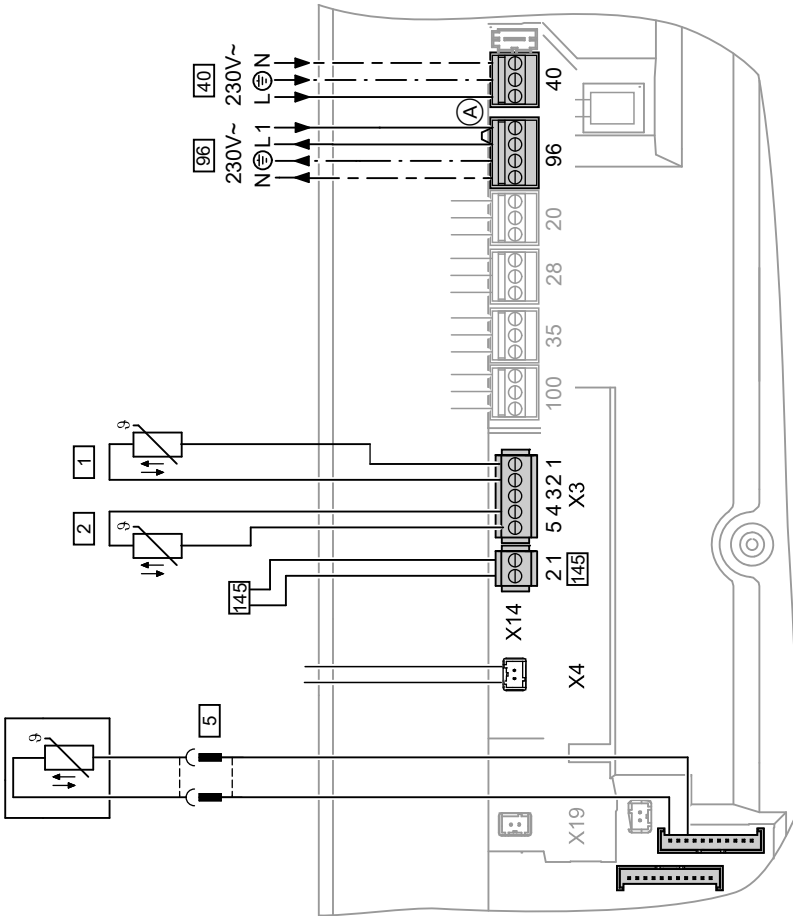
Please note

Electronic assemblies can be damaged by electrostatic discharge.

Before beginning work, touch earthed objects, such as heating or water pipes, to discharge static loads.



Electrical connections



(A) Jumper

Electrical connections (cont.)

Connections at plug 230 V~

- 40 Power supply
- 96
 - Power supply for accessories
 - External demand/blocking
 - Room temperature control unit (remove jumper Ⓐ when connecting):
 - Vitotrol 100, UTA
 - Vitotrol 100, UTDB
 - Vitotrol 100, UTDB-RF



Information on connecting accessories

When connecting accessories observe the separate installation instructions provided with them.

Connections at LV plug

- X3 Plug X3 can be removed to facilitate installation.
 - 1 Outside temperature sensor
 - 2 Flow temperature sensor for low loss header (accessories)
- X4 KM BUS connection, heating circuit pump
 - 5 Type B2HA:
 - Cylinder temperature sensor (part of the DHW cylinder connection set)
 - Type B2KA:
 - Comfort sensor (connected at the factory)
 - 145 KM BUS subscriber (accessories)
 - To connect several accessories, see page 22.
 - Vitotrol 200A or 300A remote control
 - Vitocom 100, type GSM
 - Extension kit for one heating circuit with mixer
 - Solar control module, type SM1
 - Vitosolic
 - Extension AM1
 - Extension EA1
 - Wireless base station
 - KM BUS distributor

Electrical connections (cont.)

Outside temperature sensor 1

For fitting the wireless outside temperature sensor (wireless accessory):



Wireless base station installation and service instructions

Fitting location for outside temperature sensor

- North or north-western wall, 2 to 2.5 m above ground level; in multi-storey buildings, in the upper half of the second floor
- Not above windows, doors or vents

- Not immediately below balconies or gutters
- Never render over

Outside temperature sensor connection

2-core lead, length max. 35 m with a cross-section of 1.5 mm²

External demand via switching contact

Connection options:

- Extension EA1 (accessory, see separate installation instructions).
- Plug 96.

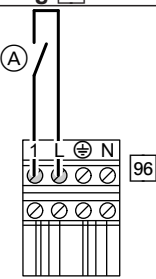
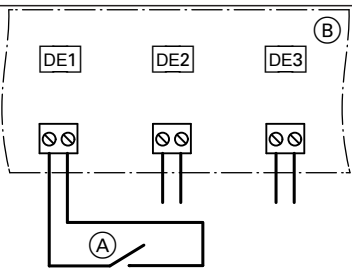
Burner operation is load-dependent if the contact is closed. The boiler water is heated to the value set in coding address "9b" in group "**General**"/1. The boiler water temperature is limited by this set value and the electronic maximum limit (coding address "06" in group "**Boiler**"/2).



Please note

'Live' contacts lead to short circuits or phase failure. The external connection **must be potential-free** and comply with the requirements of safety category II.

Electrical connections (cont.)

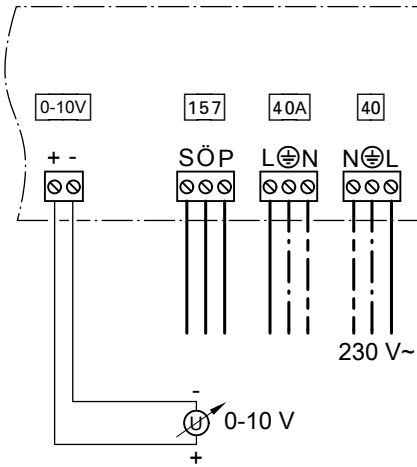
<p>Plug 96</p>  <p>(A) Floating contact (when connecting, remove jumper across L and 1)</p>	<p>Extension EA1</p>  <p>(A) Floating contact (B) Extension EA1</p>
<p>Codes</p> <ul style="list-style-type: none"> ■ "4b:1" in group "General"/1. ■ Effect of the function on the relevant heating circuit pump: Coding address "d7" in group "Heating circuit" (only with weather-compensated control units). ■ Effect of the function on the circulation pump for cylinder heating (if installed): Coding address "5F" in group "DHW"/3. 	<p>Codes</p> <ul style="list-style-type: none"> ■ Set "3A" (DE1), "3b" (DE2) or "3C" (DE3) in group "General"/1 to 2. ■ Effect of the function on the relevant heating circuit pump: Coding address "d7" in group "Heating circuit" (only with weather-compensated control units). ■ Effect of the function on the circulation pump for cylinder heating (if installed): Coding address "5F" in group "DHW"/3.

External demand via 0 – 10 V input

Connection at 0 – 10 V input to **extension EA1**.

Ensure DC separation between the earth conductor and the negative pole of the on-site voltage source.

Electrical connections (cont.)



0 – 1 V \triangleq No default set boiler water temperature

1 V \triangleq Set value 10 °C

10 V \triangleq Set value 100 °C

External blocking via switching contact

Connection options:

- Plug 96.
- Extension EA1 (accessory, see separate installation instructions).

The burner is switched off if this contact is closed. The heating circuit pump and (if installed) the circulation pump for cylinder heating are switched according to the set code (see following table "Codes").

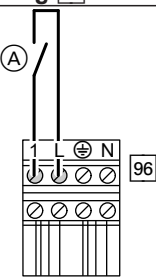
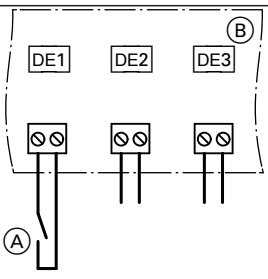


Please note

'Live' contacts lead to short circuits or phase failure.

The external connection **must be potential-free** and comply with the requirements of safety category II.

Electrical connections (cont.)

<p>Plug 96</p>  <p>(A) Floating contact (when connecting, remove jumper across L and 1)</p>	<p>Extension EA1</p>  <p>(A) Floating contact (B) Extension EA1</p>
<p>Codes</p> <ul style="list-style-type: none"> ■ "4b:2" in group "General"/1 ■ Effect of the function on the heating circuit pump: Coding address "d6" in group "Heating circuit" (only with weather-compensated control units). ■ Effect of the function on the circulation pump for cylinder heating (if installed): Coding address "5E" in group "DHW"/3. 	<p>Codes</p> <ul style="list-style-type: none"> ■ Set "3A" (DE1), "3b" (DE2) or "3C" (DE3) in group "General"/1 to 3 or 4. ■ Effect of the function on the heating circuit pump: Coding address "d6" in group "Heating circuit" (only with weather-compensated control units). ■ Effect of the function on the circulation pump for cylinder heating (if installed): Coding address "5E" in group "DHW"/3.

Electrical connections (cont.)

Power supply for accessories at plug 96 (230 V~)

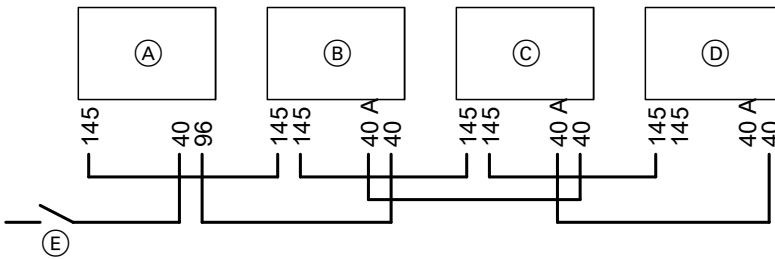
Where the boiler is installed in a wet area, the power supply connection for accessories must not be made at the control unit. If the boiler is installed outside wet areas, then the power supply connection for accessories can be made directly at the control unit. This connection is switched directly with the ON/OFF switch of the control unit.

If the total system current exceeds 6 A, connect one or more extensions via an ON/OFF switch directly to the mains supply (see next chapter).

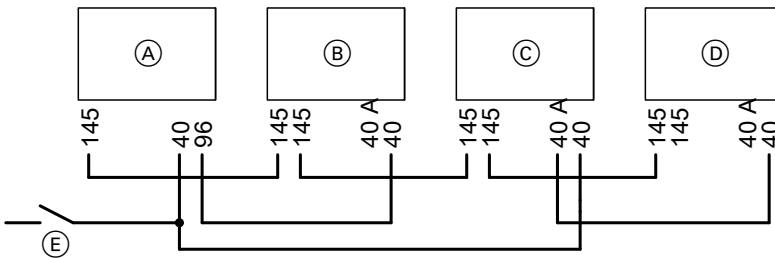
Connection of accessories

Power supply and KM BUS

Power supply to all accessories via heat source control unit



Some accessories with direct power supply



- (A) Heat source control unit
- (B) Extension kit for heating circuit with mixer M2
- (C) Extension kit for heating circuit with mixer M3
- (D) Extension AM1, EA1 and/or solar control module, type SM1
- (E) ON/OFF switch

Electrical connections (cont.)

A buffer relay must be fitted if the current flowing to the connected working parts (e.g. circulation pumps) is higher than the safety level of the relevant accessory.

Accessories	Internal fuse protection
Extension kit for heating circuit with mixer	2 A
Extension AM1	4 A
Extension EA1	2 A
Solar control module, type SM1	2 A

Power supply 40



Danger

Incorrect core allocation can result in serious injury and damage to the appliance. Take care not to interchange wires "L1" and "N".

- Remove the existing test wires from plug 40.
- Max. fuse rating 16 A.
- Connect the mains power supply to plug 40.

Electrical connections (cont.)

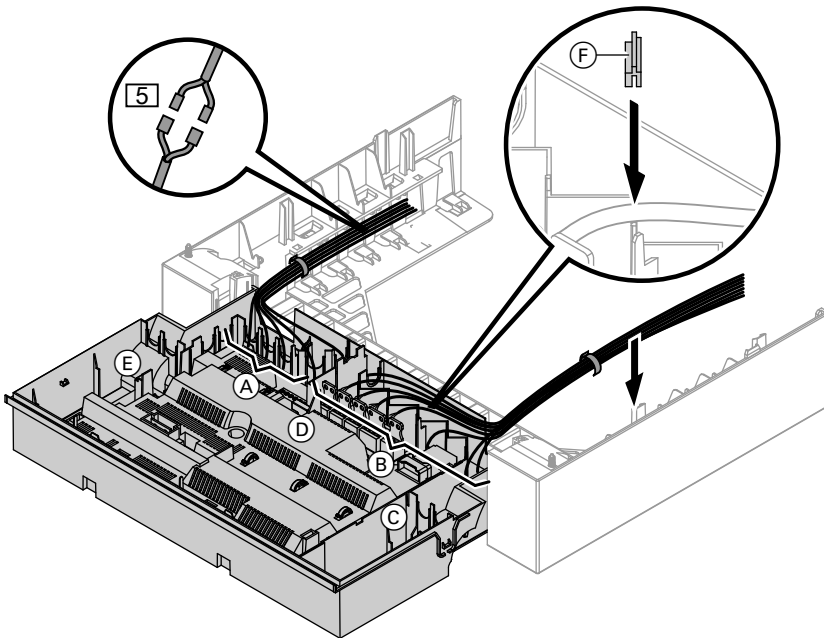
Routing the connecting cables



Please note

If power cables touch hot components they will be damaged.

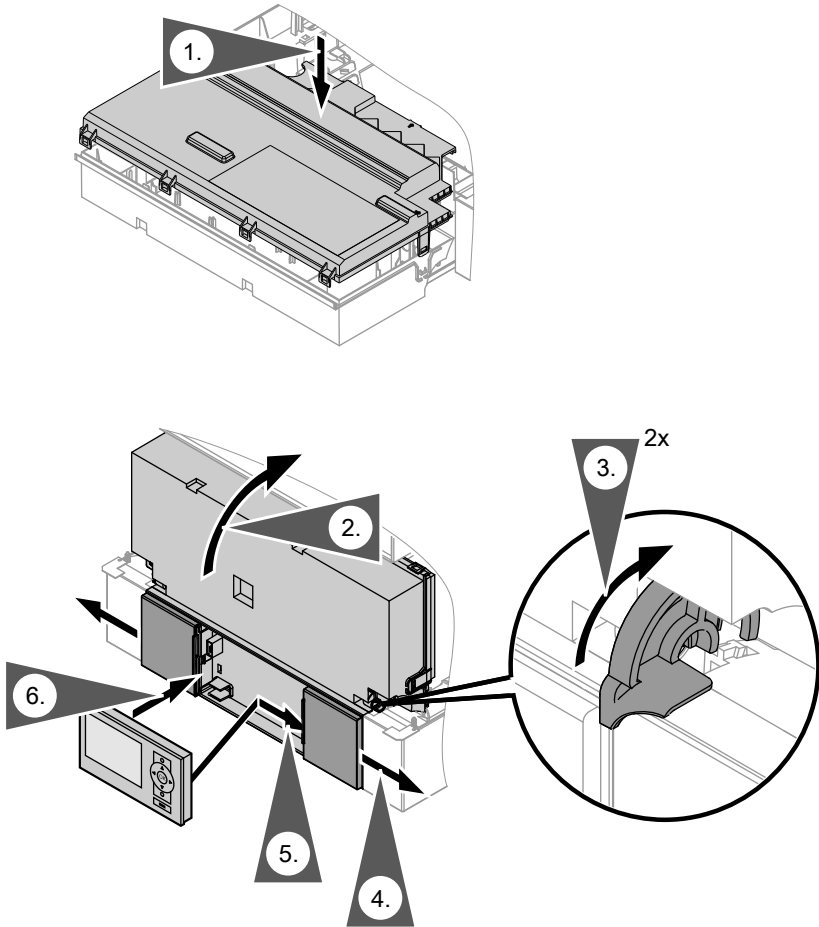
When routing and securing cables/leads on site, ensure that the maximum permissible temperatures for these cables/leads are not exceeded.



- (A) LV connections
- (B) 230 V connections
- (C) Internal extension
- (D) Main PCB
- (E) Communication module
- (F) Cable grommet for power cable
Remove the existing cable grommet when using larger cross-sections (up to \varnothing 14 mm). Secure the cable with cable grommet (F) (white).

- 5 Type B2HA:
Plugs for connecting the cylinder temperature sensor to the cable harness
- Type B2KA:
Plug for comfort sensor (connected at the factory)

Closing the control unit casing and inserting the programming unit



Insert programming unit (packed separately) into the control unit support.

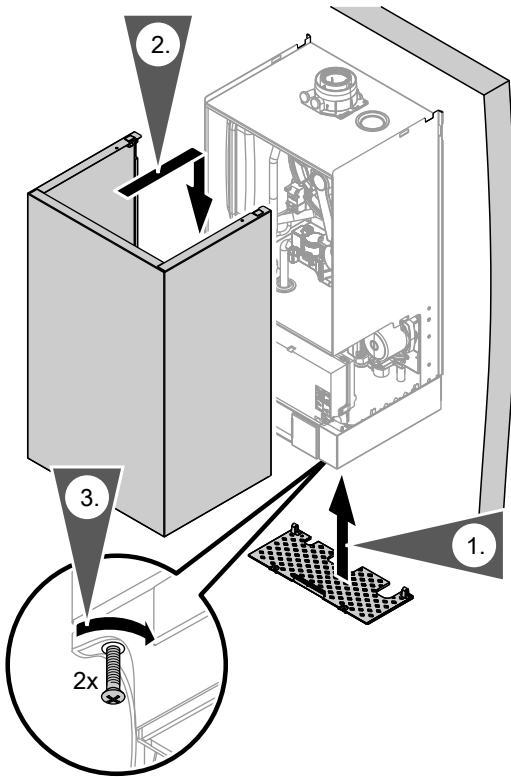


Wall mounting base installation instructions

Note

The programming unit can also be inserted into a wall mounting base (accessories) near the boiler.

Fitting the front panel



Note

Fit the safety guard and ensure that the locking screws are tightened before operating.

Steps - commissioning, inspection and maintenance

For further information regarding the individual steps, see the page indicated

	Commissioning steps	Inspection steps	Maintenance steps	Page
•				1. Checking the power supply
•				2. Filling the heating system..... 29
•				3. Switching on the mains voltage and ON/OFF switch
•				4. Language selection – only for weather-compensated control units..... 30
•	•			5. Setting the time and date - only for weather-compensated control units and for timer controlled constant temperature units..... 30
•				6. Note on the automatic flue gas temperature sensor test..... 31
•				7. Venting the boiler..... 31
•				8. Venting the heating system..... 32
•				9. Filling the siphon with water..... 33
•	•	•		10. Checking all connections on the heating water side and DHW side for leaks
•				11. Designating heating circuits - only for weather-compensated control units..... 34
•		•		12. Checking the gas type..... 34
•				13. Gas type conversion (only for operation with LPG).... 35
•	•	•		14. Checking the static and supply pressure..... 35
•				15. Function sequence and possible faults..... 37
•				16. Max. heating output setting..... 39
•				17. Tightness test for balanced flue system (annular gap check)..... 39
		•	•	18. Burner removal 40
		•	•	19. Checking the burner gasket and burner gauze assembly..... 41

Steps - commissioning, inspection and... (cont.)

				Page
			Commissioning steps	
			Inspection steps	
			Maintenance steps	
			20. Checking and adjusting the ignition and ionisation electrodes.....	42
	•	•	21. Cleaning the heating surfaces.....	43
	•	•	22. Checking the condensate drain and cleaning the siphon.....	43
	•	•	23. Fitting the burner.....	45
	•	•	24. Checking the neutralising system (if installed)	
		•	25. Checking the flow limiter (only for combi boilers).....	46
•	•	•	26. Checking the expansion vessel and system pressure	46
•	•	•	27. Checking the function of safety valves	
•	•	•	28. Checking firm seating of electrical connections	
•	•	•	29. Checking all gas equipment for tightness at operating pressure.....	47
•	•	•	30. Checking the combustion quality.....	47
•	•	•	31. Checking the flue system for unrestricted flow and tightness	
•	•	•	32. Checking the external LPG safety valve (if installed)	
•			33. Matching the control unit to the heating system.....	49
•			34. Adjusting the heating curves (only for weather-compensated control units).....	54
•			35. Connecting the control unit to the LON system - only for weather-compensated control units.....	57
		•	36. Calling up and resetting the service display.....	59
•			37. Instructing the system user.....	59

Further details regarding the individual steps

Filling the heating system

Fill water



Please note

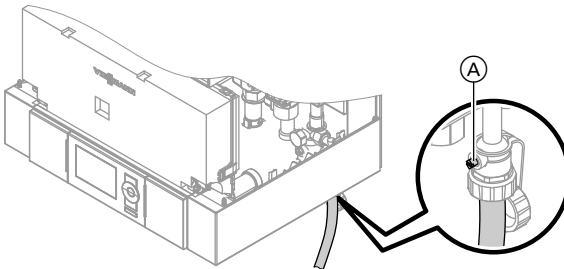
- Unsuitable fill water increases the level of deposits and corrosion and may lead to boiler damage.
 - Flush the heating system thoroughly before filling.
 - Only use fill water of potable quality.

- An antifreeze additive suitable for heating systems can be added to the fill water. The antifreeze manufacturer must verify its suitability.
- Fill and top-up water with a water hardness in excess of the following values must be softened, e.g. with a small softening system for heating water.

Total permissible hardness of the fill and top-up water

Total heating output kW	Specific system volume (Conversion rate 1 mol/m ³ = 100 ppm)		
	< 20 l/kW	≥ 20 l/kW to < 50 l/kW	≥ 50 l/kW
≤ 50	≤ 3.0 mol/m ³	≤ 2.0 mol/m ³	< 0.02 mol/m ³
> 50 to ≤ 200	≤ 2.0 mol/m ³	≤ 1.5 mol/m ³	< 0.02 mol/m ³
> 200 to ≤ 600	≤ 1.5 mol/m ³	≤ 0.02 mol/m ³	< 0.02 mol/m ³
> 600	< 0.02 mol/m ³	< 0.02 mol/m ³	< 0.02 mol/m ³

Conversion rate 1 mol/m³ = 100ppm



1. Check the pre-charge pressure of the expansion vessel. See page 46.
2. Close the gas shut-off valve.
3. Fill the heating system via boiler drain & fill valve (A) in the heating return (at the connection set or on site - minimum system pressure > 1.0 bar) or via a suitable filling loop.

Further details regarding the individual steps (cont.)

Note



If the control unit has not been switched on prior to filling the system, then the servomotor of the diverter valve will still be in its central position, and the system will be completely filled.

4. If the control unit had already been switched on before filling began: Switch control unit ON and activate filling function (see next chapter).
5. Close boiler drain & fill valve (A).

Activating the filling function



Weather-compensated control unit

Service menu

1. Press **OK** and  simultaneously for approx. 4 s.
2. **"Service functions"**
3. **"Filling"**
Filling function is enabled.
4. Ending filling function:
Press **OK** or .

Constant temperature control unit




Service menu


1. Press **OK** and  simultaneously for approx. 4 s.
2. Select "**④**" and confirm with **OK**.
"ON" flashes.
3. Activate the filling function with **OK**.
"bF on" is shown constantly.
4. Ending filling function:
Press .

Language selection – only for weather-compensated control units

At the commissioning stage, the display is in German (factory setting).

Extended menu:


1. 
2. **"Einstellungen"**
3. **"Sprache"**
4. Select the required language with / .

Sprache	
Deutsch	DE <input checked="" type="checkbox"/>
Bulgarski	BG <input type="checkbox"/>
Cesky	CZ <input type="checkbox"/>
Dansk	DK <input type="checkbox"/>
Wählen mit 	

Setting the time and date - only for weather-compensated control units and for timer controlled constant temperature units

The time and date need to be reset during commissioning or after a prolonged time out of use.

Extended menu:

1. 
2. **"Settings"**
3. **"Time / Date"**
4. Set current time and date.

Further details regarding the individual steps (cont.)

Note on the automatic flue gas temperature sensor test

Weather-compensated control unit

As soon as the time and date have been set, the control unit automatically checks the function of the flue gas temperature sensor.

The display shows: "**Flue gas temp sensor test**" and "**Active**".

Note

If the flue gas temperature sensor is not positioned correctly, commissioning is cancelled and fault message A3 is displayed (see page 135).

Constant temperature control unit

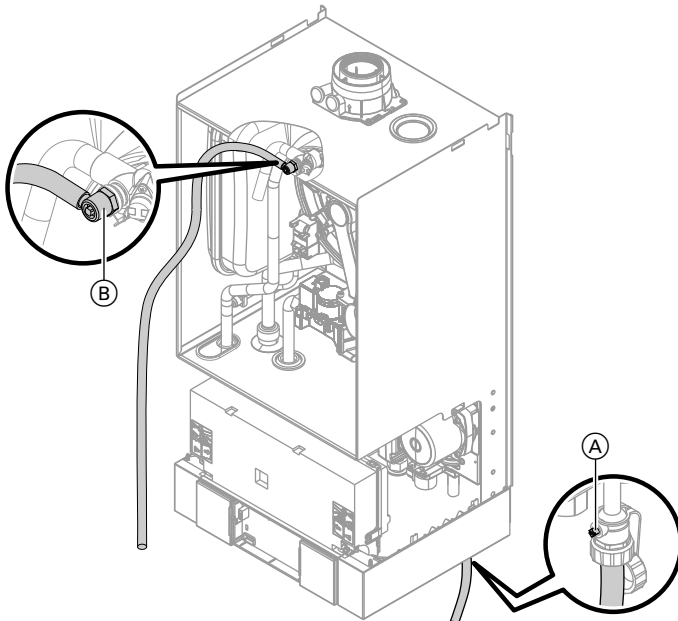
Immediately after being switched on, the control unit automatically checks the function of the flue gas temperature sensor.

The display shows: "**A**".

Note

If the flue gas temperature sensor is not positioned correctly, commissioning is cancelled and fault message A3 is displayed (see page 135).

Venting the boiler



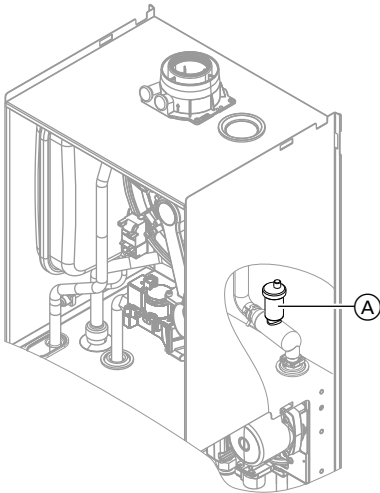
Further details regarding the individual steps (cont.)

1. Close the shut-off valves on the heating water side. If required, remove the safety guard.
2. Push the drain hose (supplied inside the appliance) onto top valve (B) and connect to a drain.
3. Open valves (A) and (B) and vent at mains pressure (purge) until no sound of escaping air can be heard and no more air bubbles are visible.
4. First close valve (B).
5. When the required operating pressure has built up, close valve (A). Open the shut-off valves on the heating water side.
6. Remove the drain hose from top valve (B) and retain.

Note

Note the system pressure at the pressure gauge. Do not exceed 1.5 bar.

Venting the heating system



1. Close the gas shut-off valve and switch the control unit ON.
2. Check whether the air vent screw on quick-action air vent valve (A) of the heating circuit pump is open.
3. Activate venting program (see following steps).

Note

For function and sequence of the venting program, see page 150.

4. Adjust the system pressure.
5. Open the gas shut-off valve.

Further details regarding the individual steps (cont.)

Activating the venting function

Weather-compensated control unit

Service menu

1. Press **OK** and **≡** simultaneously for approx. 4 s.
2. **"Service functions"**
3. **"Venting"**
Venting function is enabled.
4. Ending venting function:
Press **OK** or **↶**.

Constant temperature control unit

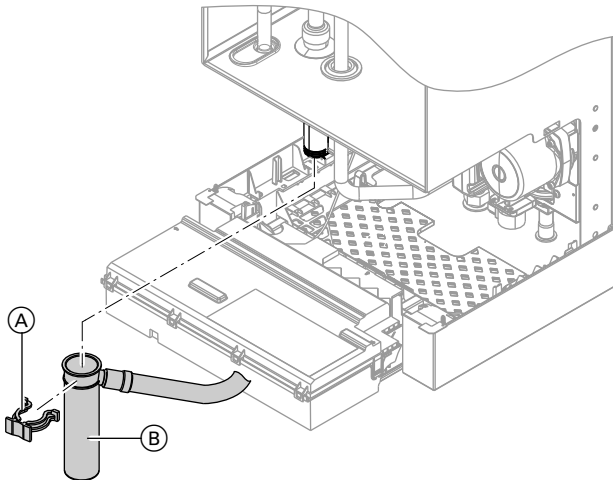
Service menu

1. Press **OK** and **≡** simultaneously for approx. 4 s.
2. Select **"5"** with **▶** and confirm with **OK**.
"ON" flashes.
3. Activate the venting function with **OK**.
"EL on" is shown constantly.
4. Ending venting function:
Press **↶**.

Filling the siphon with water

Multi boiler system:

Fill the siphon in the flue gas header with water as well.



1. Remove retaining clip (A) and siphon (B).
2. Fill siphon (B) with water.
3. Fit siphon (B) and secure with retaining clip (A).

Further details regarding the individual steps (cont.)

Note

Never twist the supply hose during assembly. Route the drain hose without any bends and with a constant fall.

Designating heating circuits - only for weather-compensated control units

In the delivered condition, the heating circuits are designated "**Heating circuit 1**", "**Heating circuit 2**" and "**Heating circuit 3**" (if installed).

If the system user prefers, the heating circuits can be designated differently to suit the specific system.

To enter names for heating circuits:



Operating instructions

Checking the gas type

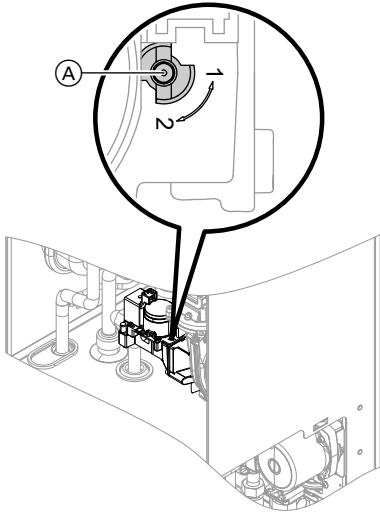
The boiler is equipped with an electronic combustion controller that adjusts the burner for optimum combustion in accordance with the prevailing gas quality.

- For operation with natural gas no adjustment is therefore required across the entire Wobbe index range. The boiler can be operated in the Wobbe index range 9.5 to 15.2 kWh/m³ (34.2 to 54.7 MJ/m³).
- Convert the burner for operation with LPG (see "Gas type conversion" on page 35).

1. Determine the gas type and Wobbe index by asking your local gas supply utility or LPG supplier.
2. Convert the burner for operation with LPG (see page 35).
3. Record the gas type in the report on page 179.

Further details regarding the individual steps (cont.)

Gas type conversion (only for operation with LPG)



1. Set adjusting screw (A) on the gas train to "2".
2. Turn on the ON/OFF switch (D).
3. Select the gas type in coding address "82":
 - Call up code 2
 - **"General"** (weather-compensated control unit)
or
Group 1 (constant temperature control unit).
 - Select coding address "11" and set value "9". Confirm with **OK**. The display shows "11:0".
 - Select coding address "82" and set value "1" (LPG operation). Confirm with **OK**.
 - Select coding address "11" and set value ≠ "9". Confirm with **OK**. The display shows "11:0".
 - End service functions.
4. Open the gas shut-off valve.
5. Affix label "G31" (supplied with the technical documentation) adjacent to the type plate on the cover panel.

Checking the static and supply pressure



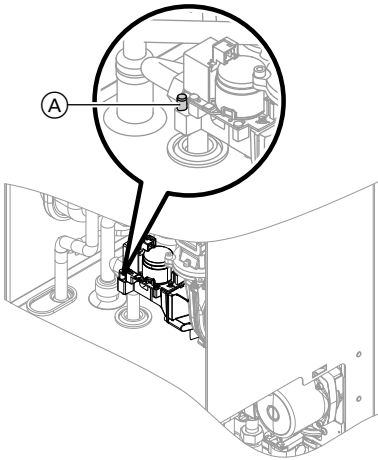
Danger

CO build-up as a result of incorrect burner adjustment can have serious health implications. Carry out a CO test before and after work on gas appliances.

Operation with LPG

Flush the LPG tank twice during commissioning or replacement. Vent the tank and gas connection line thoroughly after flushing.

Further details regarding the individual steps (cont.)



1. Close the gas shut-off valve.
2. Undo screw (A) in test nipple "IN" on the gas train but do not remove it, and connect the pressure gauge.
3. Open the gas shut-off valve.
4. Check the static pressure and record the actual value in the report on page 179.
Set value: max. 57.5 mbar
5. Switch on mains voltage and start the boiler.

Note

During commissioning, the boiler can enter a fault state (fault EE is shown) because of air in the gas line. After approx. 5 s press reset button R to reset the burner.

6. Check the supply (flow) pressure.

Set value:

- Natural gas: 20 mbar
- LPG: 37 mbar

Note

- Use a suitable measuring device with a resolution of at least 0.1 mbar to check the supply pressure.
- The pressure drop between the gas tap and gas valve is 0.5 mbar at full load.

7. Record the actual value in the report on page 179.
Take the action shown in the following table.
8. Shut down the boiler, close the gas shut-off valve, remove the pressure gauge and close test nipple (A) with the screw.
9. Open the gas shut-off valve and start the appliance.



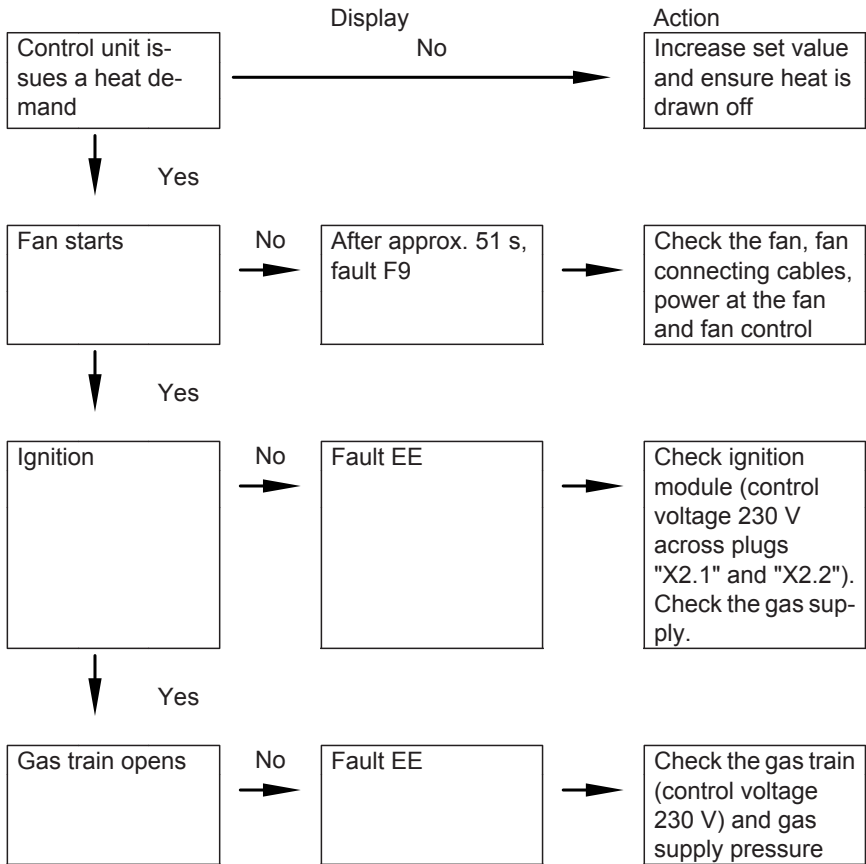
Danger

Gas escaping from the test nipple leads to a risk of explosion.
Check gas tightness at test nipple (A).

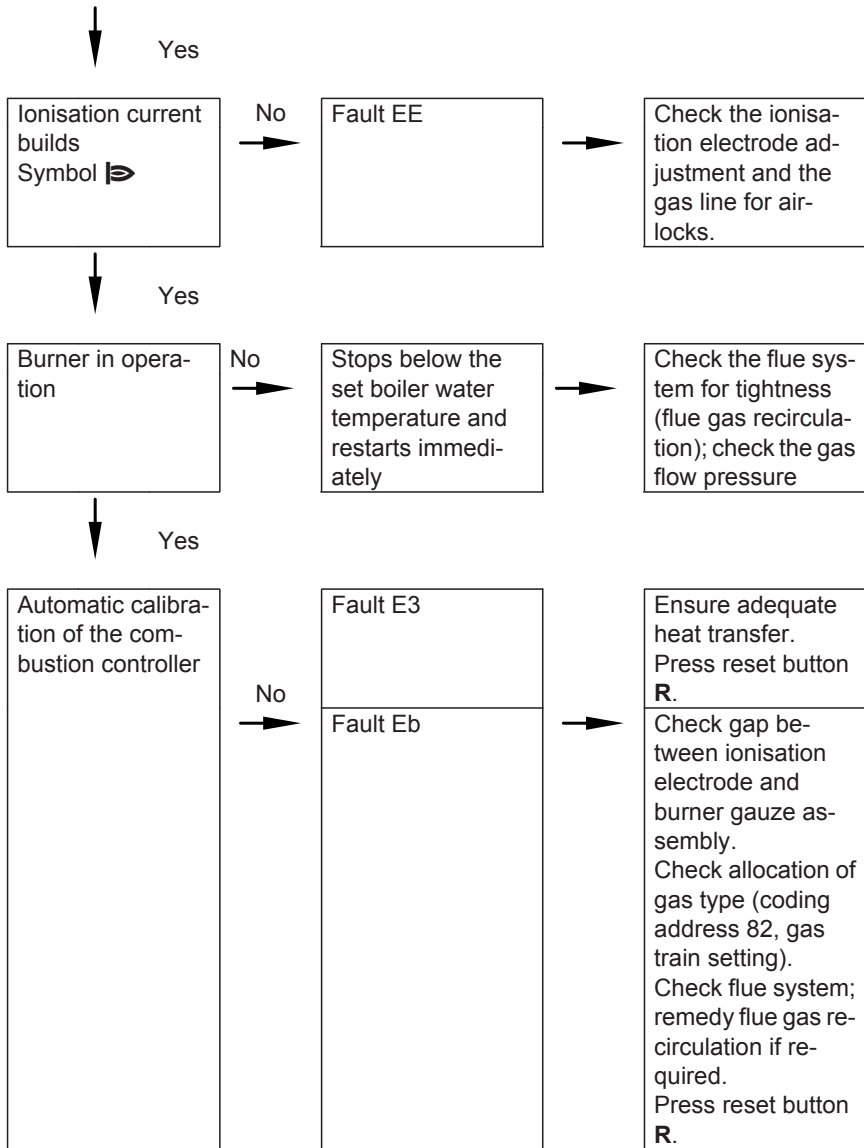
Further details regarding the individual steps (cont.)

Supply pressure (flow pressure)		Action
For natural gas	For LPG	
Below 17.4 mbar	Below 25 mbar	Do not start the boiler. Notify your gas supply utility or LPG supplier.
17.4 to 25 mbar	25 to 47 mbar	Start the boiler.
Above 25 mbar	Above 47 mbar	Contact your gas supplier if the supply pressure is incorrect.

Function sequence and possible faults



Further details regarding the individual steps (cont.)



For further details on faults, see page 110.

Further details regarding the individual steps (cont.)

Max. heating output setting

The maximum output for **heating operation** can be limited. The limit is set via the modulation range. The max. adjustable heating output is limited upwards by the boiler coding card.

Weather-compensated control unit

Service menu

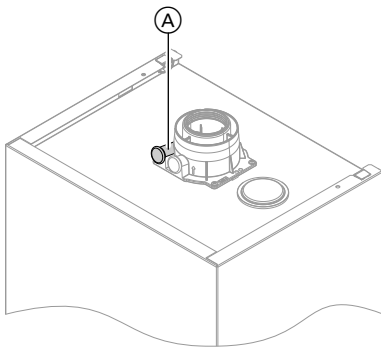
1. Press **OK** and **≡**: simultaneously for approx. 4 s.
2. **"Service functions"**
3. **"Max. output"**
4. **"Change?"** Select **"Yes"**.
A value is shown on the display (e.g. **"85"**). In the delivered condition, this value represents 100 % of rated heating output.
5. Set the required value.

Constant temperature control unit

Service menu

1. Press **OK** and **≡**: simultaneously for approx. 4 s.
2. Select **"③"** with **▶** and confirm with **OK**.
A value flashes on the display (e.g. **"85"**) and **"▶"** appears. In the delivered condition, this value represents 100 % of rated heating output.
3. **SELECT** required value and confirm with **OK**.

Tightness test for balanced flue system (annular gap check)



Ⓐ Combustion air aperture

For balanced flue systems tested together with the wall mounted gas fired boiler, the requirement for a tightness test during commissioning by the flue gas inspector is not applicable.

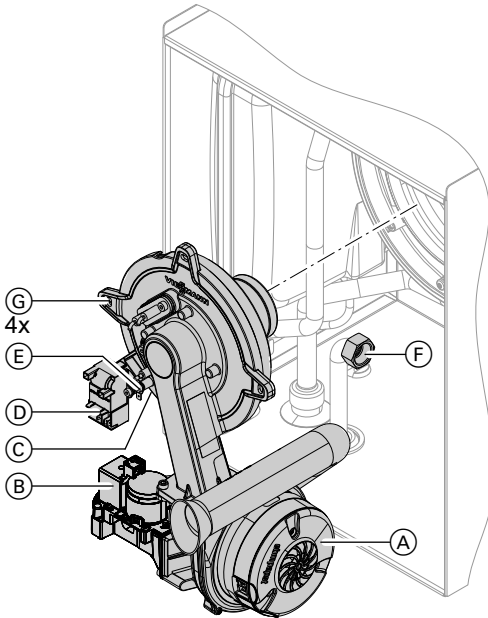
We recommend that your heating engineer carries out a simple leak/tightness test during the commissioning of your system. For this, it would be sufficient to check the CO_2 or O_2 concentration in the combustion air at the annular gap of the balanced flue pipe.

The flue pipe is deemed to be gas-tight if the CO_2 concentration in the combustion air is no higher than 0.2 % or the O_2 concentration is at least 20.6 %.

If actual CO_2 values are higher or O_2 values are lower, then pressure test the flue pipe with a static pressure of 200 Pa.

Further details regarding the individual steps (cont.)

Burner removal



1. Switch OFF the power supply and the ON/OFF switch at the control unit.
2. Close the gas shut-off valve and safeguard against reopening.
3. Remove cables from fan motor (A), gas train (B), ignition and ionisation electrode (C), ignition unit (D) and earth tab (E).
4. Undo gas supply pipe fitting (F).
5. Undo four screws (G) and remove the burner.



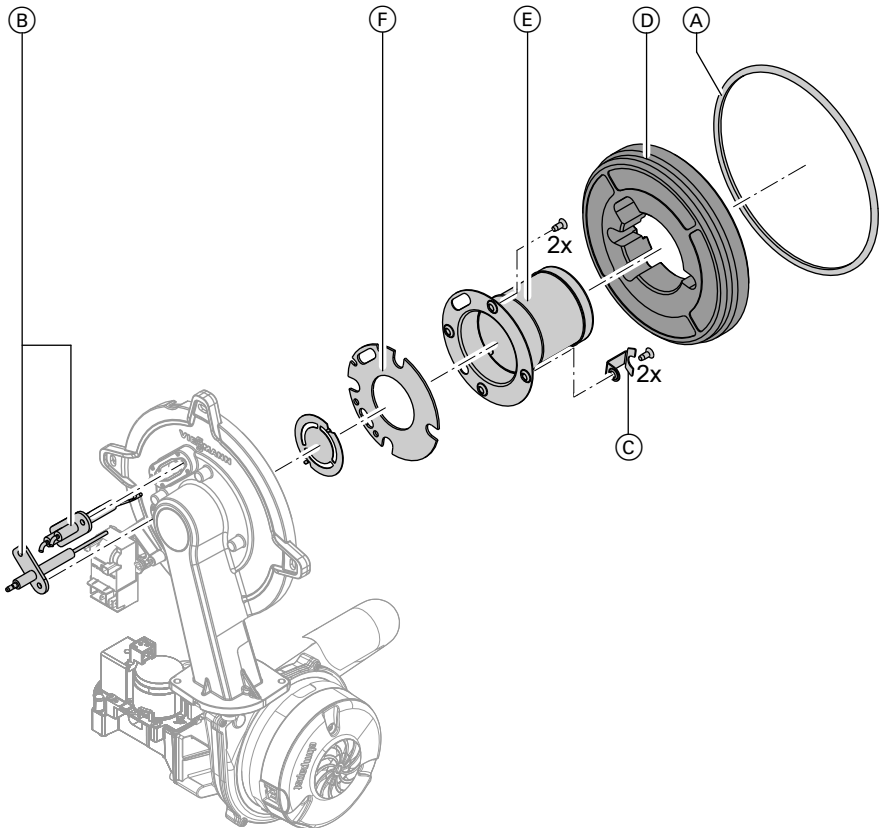
Please note

Prevent damage to the burner.
Never rest the burner on the burner gauze assembly.

Further details regarding the individual steps (cont.)

Checking the burner gasket and burner gauze assembly

Check burner gasket (A) and burner gauze assembly (E) for possible damage and replace if required.



1. Remove electrodes (B).
2. Undo two retaining clips (C) on thermal insulation ring (D) and then remove thermal insulation ring (D).
3. Undo two Torx screws and remove burner gauze assembly (E) with gasket (F).

Further details regarding the individual steps (cont.)

4. Insert new burner gauze assembly (E) with new gasket (F) and secure.



Please note

Fasten screws tightly enough

to ensure the components are not being damaged and are functioning correctly.

6. Fit electrodes (B).



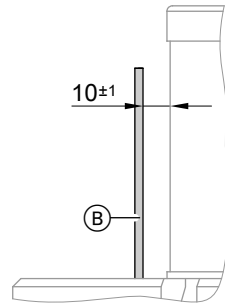
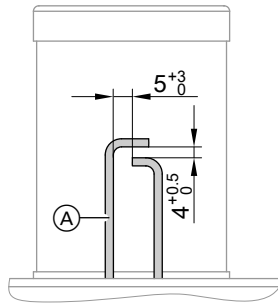
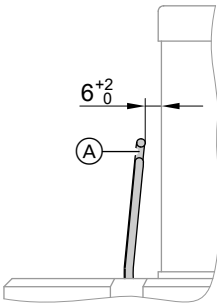
Please note

Fasten screws tightly enough

to ensure the components are not being damaged and are functioning correctly.

5. Fit thermal insulation ring (D).

Checking and adjusting the ignition and ionisation electrodes



(A) Ignition electrodes

(B) Ionisation electrode

1. Check the electrodes for wear and contamination.
2. Clean the electrodes with a small brush (not with a wire brush) or sandpaper.
3. Check the electrode gaps. If the gaps are not as specified or the electrodes are damaged, replace the electrodes together with new gaskets and adjust them as required. Tighten electrode fixing screws.



Please note

Fasten screws tightly enough

to ensure the components are not being damaged and are functioning correctly.

Further details regarding the individual steps (cont.)

Cleaning the heating surfaces



Please note

There should be no scratches or other damage on the heat exchanger surface that comes into contact with hot gases. This could lead to corrosion damage.

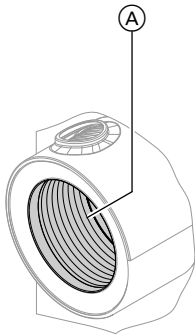
Never use brushes to clean the heating surfaces.

Brushing can cause existing deposits to get stuck in the coil gaps.

Note

Discolouration of the heat exchanger surface is a normal sign of usage. It has no impact on the function and service life of the heat exchanger.

The use of chemical cleaning agents is not necessary.



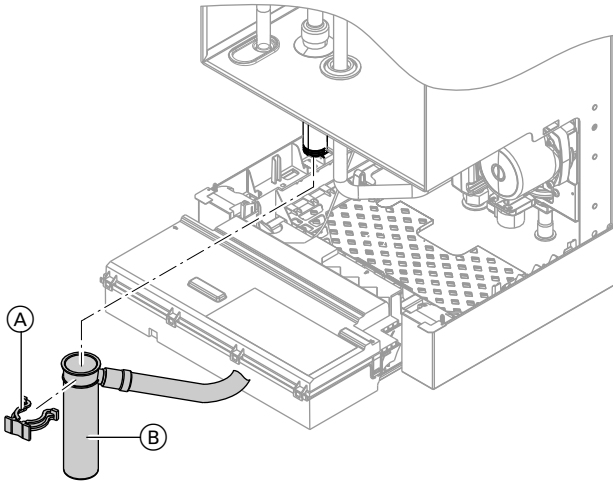
1. Use a vacuum cleaner to remove deposits from heating surfaces (A) of the heat exchanger.
2. If required, rinse heating surfaces (A) with water.
3. Check condensate drain and clean siphon. See the following chapter.

Checking the condensate drain and cleaning the siphon

Multi boiler system:

Clean the siphon in the flue gas header as well.

Further details regarding the individual steps (cont.)

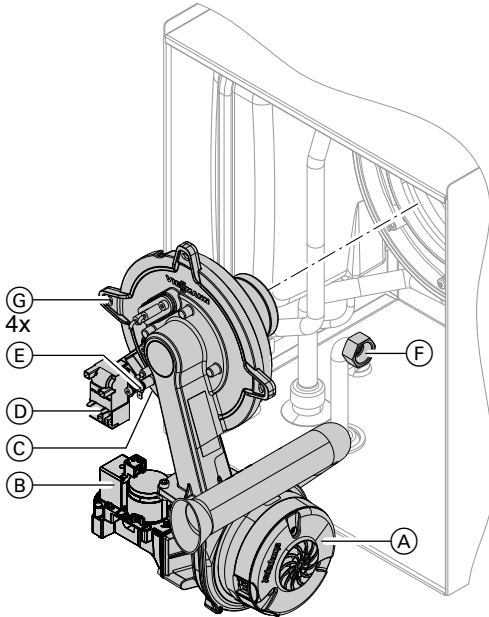


1. Check at the siphon that the condensate can drain freely.
2. Remove retaining clip (A) and siphon (B).
3. Clean siphon (B).
4. Fill siphon (B) with water and fit in place. Put on retaining clip (A).

Note
Never twist the supply hose during assembly. Route the drain hose without any bends and with a constant fall.

Further details regarding the individual steps (cont.)

Fitting the burner



1. Fit the burner and tighten screws (G) diagonally.
2. Fit gas supply pipe (F) with a new gasket.
3. Check the gas connections for tightness.
4. Connect cables from fan motor (A), gas train (B), ionisation electrode (C), ignition unit (D) and earth tab (E).



Please note

Fasten screws tightly enough

to ensure the components are not being damaged and are functioning correctly.



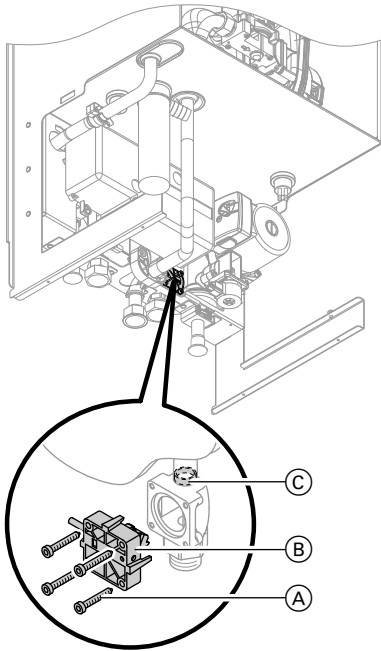
Danger

Escaping gas leads to a risk of explosion.

Check all fittings for gas tightness.

Further details regarding the individual steps (cont.)

Checking the flow limiter (only for combi boilers)



1. Switch OFF the control unit, shut off the cold water line and drain the DHW side of the boiler.

2. Undo Allen screws (A).

Note

Residual water may escape during dismantling.

3. Remove flow switch (B) and take out flow limiter (C) downwards.

4. Check flow limiter (C); replace if scaled or damaged, then re-insert. Refit flow switch (B).

Checking the expansion vessel and system pressure

Note

The diaphragm expansion vessel can lose some charge pressure over a time in use. When the boiler heats up, the pressure gauge will indicate a higher pressure of 2 or 3 bar. The safety valve too can respond and discharge excess volume (only GB).

Check whether the installed diaphragm expansion vessel is adequate for the system water pressure (only GB). Carry out this test on a cold system.

1. Drain the system or close the cap valve on the expansion vessel and reduce the pressure until the pressure gauge indicates "0".

2. If the pre-charge pressure in the expansion vessel is lower than the static system pressure, top up with sufficient nitrogen to raise the pre-charge pressure 0.1 to 0.2 bar higher than the static system pressure.

Further details regarding the individual steps (cont.)

3. Top up with water until the charge pressure of the cooled system is at least 1.0 bar, and is 0.1 to 0.2 bar higher than the pre-charge pressure of the expansion vessel.

Permiss. operating pressure: 3 bar

Checking all gas equipment for tightness at operating pressure



Danger

Escaping gas leads to a risk of explosion.
Check all gas equipment for tightness.

Note

*Only use suitable and approved leak detection agents (EN 14291) and devices for the tightness test. Leak detection agents with unsuitable constituents (e.g. nitrites, sulphides) can cause material damage.
Remove residues of the leak detection agent after testing.*

Checking the combustion quality

The electronic combustion controller automatically ensures optimum combustion quality. During commissioning/maintenance, only the combustion values need to be checked. As part of this, measure the CO content and CO₂ or O₂ content and enter into the report on page 179. For a description of the electronic combustion controller functions, see page 156.

Note

Operate the appliance with uncontaminated combustion air to prevent operating faults and damage.

CO content

- The CO content must be < 400 ppm for all gas types.

CO₂ or O₂ content

- The CO₂ content must be within the following limits (for upper and lower heating output respectively):
 - 7.5 to 9.5 % for natural gas E and LL
 - 8.8 to 11.1 % for LPG P
- For all gas types, the O₂ content must be between 4.0 and 7.6 %.

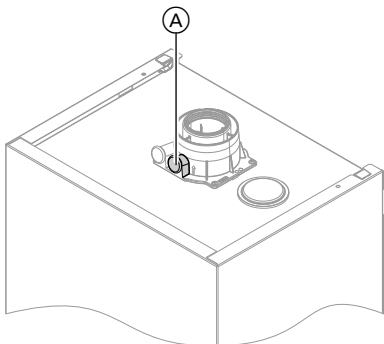
If the actual CO, CO₂ or O₂ values lie outside their respective ranges, proceed with the following steps:

- Carry out a tightness test of the balanced flue system, see page 39.
- Check the ionisation electrode and connecting cable, see page 42.

Note

During commissioning, the combustion controller carries out an automatic calibration. Only test the emissions approx. 30 s after the burner has started.

Further details regarding the individual steps (cont.)



1. Connect a flue gas analyser at flue gas port (A) on the boiler flue connection.
2. Open the gas shut-off valve, start the boiler and create a heat demand.
3. Set the lower heating output (see page 48).

4. Check the CO₂ content. Should the actual value deviate from the aforementioned ranges by more than 1 %, implement steps from page 47.
5. Enter actual values into the report.
6. Set the upper heating output (see page 48).
7. Check the CO₂ content. Should the actual value deviate from the aforementioned ranges by more than 1 %, implement steps from page 47.
8. After testing, press **OK**.
9. Enter actual values into the report.

Select higher/lower heating output

Weather-compensated control unit

Service menu

1. Press **OK** and **≡**: simultaneously for approx. 4 s.
2. **"Actuator test"**
3. Select the lower heating output:
Select **"Base load OFF"**. Then **"Base load ON"** appears and the burner operates at its lower heating output.
4. Select the upper heating output:
Select **"Full load OFF"**. Then **"Full load ON"** appears and the burner operates at its upper heating output.
5. Ending output selection:
Press **↶**.

Constant temperature control unit

Service menu

1. Press **OK** and **≡**: simultaneously for approx. 4 s.
2. Select **"↶"** with **▶** and confirm with **OK**.
The display shows **"I"** and **"ON"** flashes.
3. Select the lower heating output:
Press **OK**, **"ON"** will be displayed constantly.
4. Select the upper heating output:
Press **↶**.
5. Select **"2"** with **▶**; **"ON"** flashes.
6. Press **OK**, **"ON"** will be displayed constantly.
7. Ending output selection:
Press **↶**.

Further details regarding the individual steps (cont.)

Matching the control unit to the heating system

The control unit must be adjusted subject to the system equipment level.

- To do this, select the relevant system scheme (see the following diagrams).
- Set the codes in conjunction with the accessories fitted:



Installation and service instructions for accessories

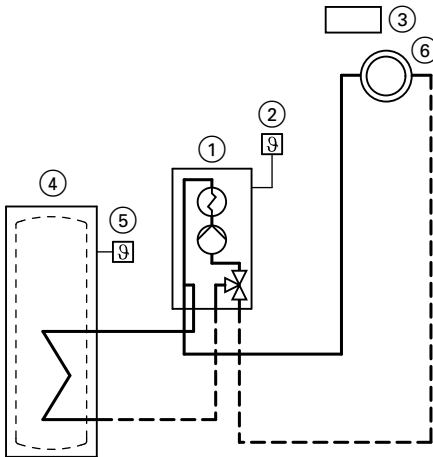
Note

Various system components are recognised automatically by the control unit and the relevant codes are adjusted automatically.

For coding steps, see page 60.

System version 1

One heating circuit without mixer A1 (with/without DHW heating)



ID: 4605145_1001_01

- | | |
|---|--|
| ① Vitodens 200-W | ④ DHW cylinder |
| ② Outside temperature sensor (only for weather-compensated control units) | ⑤ Cylinder temperature sensor |
| ③ Vitotrol 100 (only for constant temperature control units) | ⑥ Heating circuit without mixer A1 (heating circuit 1) |

Further details regarding the individual steps (cont.)

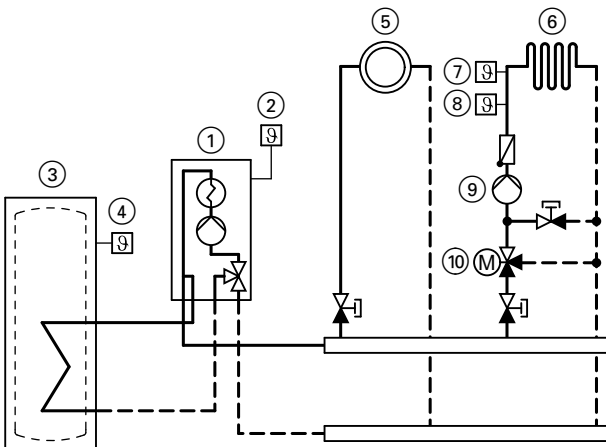
Function/system components	Code	
	Adjust	Group
Operation with LPG	82:1	"General"/1
System with DHW circulation pump: DHW circulation pump connection at internal extension H1 or H2	—	—

System version 2

One heating circuit without mixer A1 and one heating circuit with mixer M2 (with/without DHW heating)

Note

The flow rate of the heating circuit without mixer must be at least 30 % greater than the flow rate of the heating circuit with mixer.



ID: 4605148_1001_01

- ① Vitodens 200-W
- ② Outside temperature sensor
- ③ DHW cylinder
- ④ Cylinder temperature sensor
- ⑤ Heating circuit without mixer A1 (heating circuit 1)
- ⑥ Heating circuit with mixer M2 (heating circuit 2)
- ⑦ Temperature limiter to restrict the maximum temperature of underfloor heating systems
- ⑧ Flow temperature sensor M2

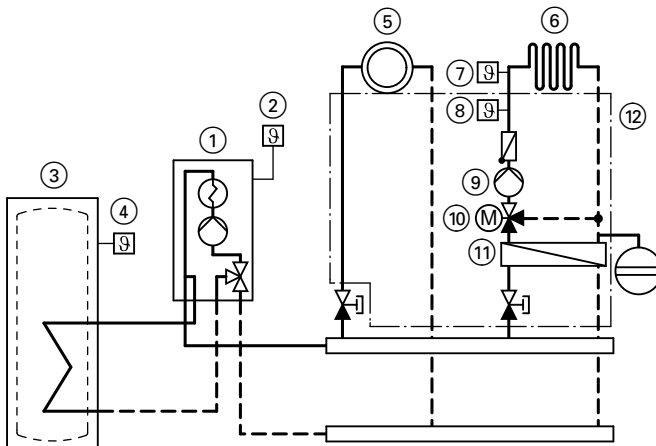
Further details regarding the individual steps (cont.)

- ⑨ Heating circuit pump M2
- ⑩ Extension kit for one heating circuit with mixer M2

Function/system components	Code	
	Adjust	Group
Operation with LPG	82:1	"General"
System only with one heating circuit with mixer with extension kit for mixer (without unregulated heating circuit)		
■ with DHW cylinder or instantaneous water heater	00:4	"General"
■ without DHW cylinder or instantaneous water heater	00:3	"General"
System with DHW circulation pump: DHW circulation pump connection at internal extension H1 or H2	—	—

System version 3

One heating circuit without mixer A1 and one heating circuit with mixer M2 with system separation (with/without DHW heating)



ID: 4605147_1001_01

- ① Vitodens 200-W
- ② Outside temperature sensor
- ③ DHW cylinder
- ④ Cylinder temperature sensor



Further details regarding the individual steps (cont.)

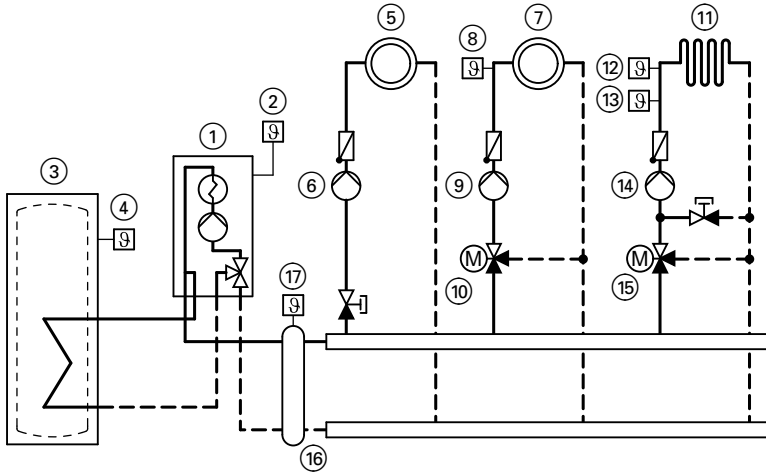
- ⑤ Heating circuit without mixer A1 (heating circuit 1)
- ⑨ Heating circuit pump M2
- ⑥ Heating circuit with mixer M2 (heating circuit 2)
- ⑩ Extension kit for one heating circuit with mixer M2
- ⑦ Temperature limiter to restrict the maximum temperature of underfloor heating systems
- ⑪ Heat exchanger for system separation
- ⑧ Flow temperature sensor M2
- ⑫ Sub-mounting kit with mixer (accessories)

Function/system components	Code	
	Adjust	Group
Operation with LPG	82:1	"General"
System only with one heating circuit with mixer with extension kit for mixer (without unregulated heating circuit)		
■ with DHW cylinder or instantaneous water heater	00:4	"General"
■ without DHW cylinder or instantaneous water heater	00:3	"General"
System with DHW circulation pump: DHW circulation pump connection at internal extension H1 or H2	—	—

Further details regarding the individual steps (cont.)

System version 4

One heating circuit without mixer, one heating circuit with mixer M2 (with extension kit), one heating circuit with mixer M3 (with extension kit) and low loss header (with/without DHW heating)



ID: 4605149_1001_01

- | | |
|--|---|
| ① Vitodens 200-W | ⑪ Heating circuit with mixer M3 (heating circuit 3) |
| ② Outside temperature sensor | ⑫ Temperature limiter to restrict the maximum temperature of underfloor heating systems |
| ③ DHW cylinder | ⑬ Flow temperature sensor M3 |
| ④ Cylinder temperature sensor | ⑭ Heating circuit pump M3 |
| ⑤ Heating circuit without mixer A1 (heating circuit 1) | ⑮ Extension kit for one heating circuit with mixer M3 |
| ⑥ Heating circuit pump A1 | ⑯ Low loss header |
| ⑦ Heating circuit with mixer M2 (heating circuit 2) | ⑰ Flow temperature sensor, low loss header |
| ⑧ Flow temperature sensor M2 | |
| ⑨ Heating circuit pump M2 | |
| ⑩ Extension kit for one heating circuit with mixer M2 | |

Further details regarding the individual steps (cont.)

Function/system components	Code	
	Adjust	Group
Operation with LPG	82:1	"General"
System only with two heating circuits with mixer with extension kit for mixer (without unregulated heating circuit)		
■ with DHW cylinder or instantaneous water heater	00:8	"General"
■ without DHW cylinder or instantaneous water heater	00:7	"General"
System without DHW circulation pump: Heating circuit pump A1 connection at internal extension H1 or H2	53:2	"General"
System with DHW circulation pump: Heating circuit pump A1 connection at extension AM1, terminal A1	—	—
DHW circulation pump connection at extension AM1, terminal A2	—	—
System with low loss header	04:0	"Boiler"

Adjusting the heating curves (only for weather-compensated control units)

The heating curves illustrate the relationship between the outside temperature and the boiler water or flow temperature.

To put it simply, the lower the outside temperature, the higher the boiler water or flow temperature.

The boiler water or flow temperature in turn affects the room temperature.

Settings in the delivered condition:

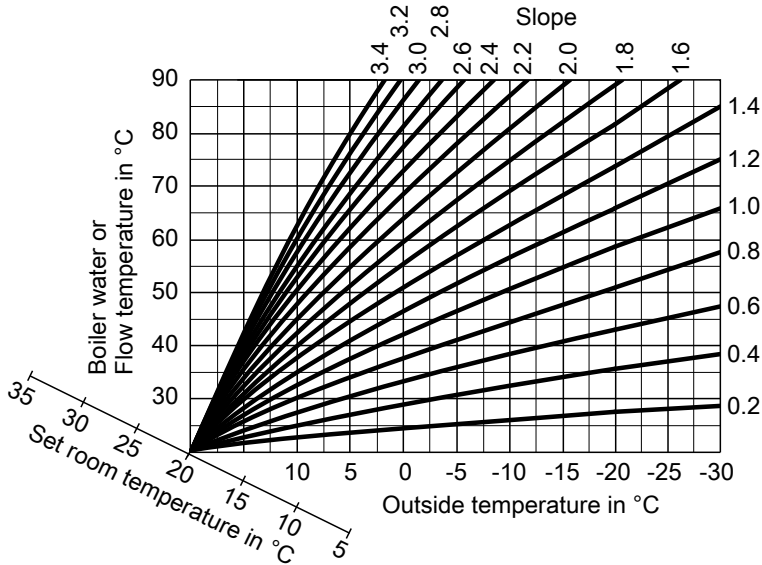
- Slope = 1.4
- Level = 0

Note

If the heating system includes heating circuits with mixers, then the flow temperature of the heating circuit without mixer is higher by a selected differential (8 K in the delivered condition) than the flow temperature of the heating circuits with mixers.

The differential temperature is adjustable via coding address "9F" in the "General" group.

Further details regarding the individual steps (cont.)



Slope setting ranges:

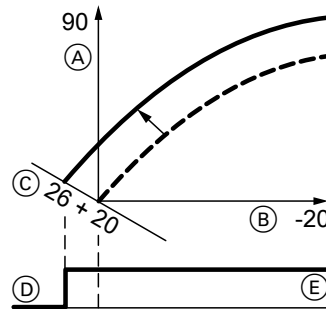
- Underfloor heating systems: 0.2 to 0.8
- Low temperature heating systems: 0.8 to 1.6

Selecting the set room temperature

Individually adjustable for each heating circuit.

The heating curve is offset along the axis of the set room temperature. With the heating circuit pump logic function enabled, the curve modifies the starting and stopping characteristics of the heating circuit pump.

Standard set room temperature



Example 1: Adjustment of the standard set room temperature from 20 to 26 °C

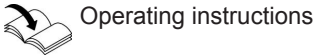
- (A) Boiler water temperature or flow temperature in °C
- (B) Outside temperature in °C
- (C) Set room temperature in °C



Further details regarding the individual steps (cont.)

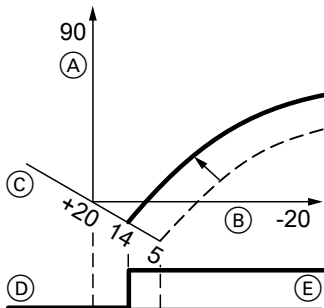
- Ⓓ Heating circuit pump "OFF"
- Ⓔ Heating circuit pump "ON"

Changing the standard set room temperature



Operating instructions

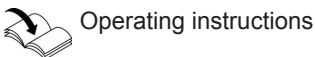
Reduced set room temperature



Example 2: Adjustment of the reduced set room temperature from 5 °C to 14 °C

- Ⓐ Boiler water temperature or flow temperature in °C
- Ⓑ Outside temperature in °C
- Ⓒ Set room temperature in °C
- Ⓓ Heating circuit pump "OFF"
- Ⓔ Heating circuit pump "ON"

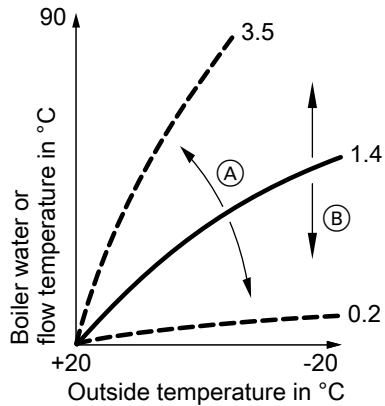
Changing the reduced set room temperature



Operating instructions

Changing the slope and level

Individually adjustable for each heating circuit.



- Ⓐ Changing the slope
- Ⓑ Changing the level (vertical parallel offset of the heating curve)

Extended menu:

- 1.
2. **"Heating"**
3. Select heating circuit.
4. **"Heating curve"**
5. **"Slope" or "Level"**
6. Select heating curve according to the system requirements.

Further details regarding the individual steps (cont.)

Connecting the control unit to the LON system - only for weather-compensated control units

The LON communication module (accessories) must be plugged in.



Installation instructions
LON communication module

Note

*In the same LON system, the same subscriber number must **not** be allocated twice.*

***Only one Vitotronic** may be programmed as fault manager.*

Note

The data transfer via LON can take several minutes.

Single boiler system with Vitotronic 200-H and Vitocom 200 (example)

Set the LON subscriber numbers and further functions via code 2 (see the following table).

All coding addresses in the table are listed in the "General" group.

Boiler control unit	Vitotronic 200-H	Vitotronic 200-H	Vitocom
Subscriber no. 1, Code "77:1".	Subscriber no. 10, Code "77:10".	Subscriber no. 11, Set code "77:11".	Subscriber no. 99.
Control unit is fault manager, Code "79:1".	Control unit is not fault manager, Code "79:0".	Control unit is not fault manager, Code "79:0".	Device is fault manager.
Control unit transmits the time, Code "7b:1".	Control unit receives the time, Set code "81:3".	Control unit receives the time, Set code "81:3".	Device re- ceives the time.
Control unit transmits outside temperature, Set code "97:2".	Control unit receives outside tempera- ture, Set code "97:1".	Control unit receives outside tempera- ture, Set code "97:1".	—



Further details regarding the individual steps (cont.)

Boiler control unit	Vitotronic 200-H	Vitotronic 200-H	Vitocom
Viessmann system number, Code "98:1".	Viessmann system number, Code "98:1".	Viessmann system number, Code "98:1".	—
LON subscriber fault monitoring, Code "9C:20".	LON subscriber fault monitoring, Code "9C:20".	LON subscriber fault monitoring, Code "9C:20".	—

Carrying out a LON subscriber check

The subscriber check is used to test communication with the system devices connected to the fault manager.

Preconditions:

- The control unit must be programmed as **fault manager** (code "79:1" in the **"General"** group).
- The LON subscriber number must be programmed in all control units.
- The LON subscriber list in the fault manager must be up to date.

Service menu:

1. Press **OK** and **≡**: simultaneously for approx. 4 s.
2. **"Service functions"**
3. **"Subscriber check"**

4. Select subscriber (e.g. subscriber 10).
5. Start the subscriber check with **"OK"**.

- Successfully tested subscribers are designated with **"OK"**.
- Unsuccessfully tested subscribers are designated with **"Not OK"**.

Note

*To carry out a new subscriber check, create a new subscriber list with **"Delete list?"** (subscriber list is updated).*

Note

*During the subscriber check, the display for the relevant subscriber shows the subscriber no. and **"Wink"** for approx. 1 min.*

Further details regarding the individual steps (cont.)

Calling up and resetting the service display

The red fault indicator flashes when the limits set in coding addresses "21" and "23" have been reached. (Coding address in group "**Boiler**" (weather-compensated control unit) or group 2 (constant temperature control unit).)

Weather-compensated control unit	Constant temperature control unit
<p>Display "Service" and "🔧"</p>	<p>The specified hours run or the specified interval with calendar symbol "📅" (subject to setting) and "🔧"</p>
<p>Acknowledging a service Press OK. Service the appliance.</p> <p>Note <i>An acknowledged service message that was not reset appears again the following Monday.</i></p>	<p>Press OK. Service the appliance.</p> <p>Note <i>An acknowledged service message that was not reset appears again after 7 days.</i></p>
<p>After the service has been carried out: Service menu: 1. Press OK and ☰: simultaneously for approx. 4 s. 2. "Service functions" 3. "Service reset"</p> <p>Note <i>The selected service parameters for hours run and interval restart at "0".</i></p>	<p>Reset the codes Reset code "24:1" in group 2 to "24:0".</p> <p>Note <i>The selected service parameters for hours run and interval restart at "0".</i></p>

Instructing the system user

The system installer should hand the operating instructions to the system user and instruct the user in operating the system.

This includes all components installed as accessories, e.g. remote control units. In addition, the system installer must make the user aware of the required maintenance work.

Calling up coding level 1

Calling up coding level 1

- On weather-compensated control units, codes are displayed as plain text.
- Codes that have not been assigned due to the heating system equipment level or the setting of other codes are not displayed.
- Heating systems with one heating circuit without mixer and one or two heating circuits with mixer:

The heating circuit without mixer is designated "**Heating circuit 1**" and the heating circuits with mixer as "**Heating circuit 2**" or "**Heating circuit 3**".

If the heating circuits were given individual designations, the selected designation and "**HC1**", "**HC2**" or "**HC3**" appear instead.

Weather-compensated control unit

The codes are divided into groups


- "General"
- "Boiler"
- "DHW"
- "Solar"
- "Heating circuit 1/2/3"
- "All codes std device"
In this group, all coding addresses from coding level 1 (except the coding addresses from the "Solar" group) are displayed in ascending order.
- "Standard setting"

Constant temperature control unit








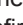
- 1: "General"
- 2: "Boiler"
- 3: "DHW"
- 4: "Solar"
- 5: "Heating circuit 1"
- 6: "All codes std device"
In this group, all coding addresses are displayed in ascending order.
- 7: "Standard setting"

Call up code 1

Service menu:

1. Press **OK** and  simultaneously for approx. 4 s.
2. "**Coding level 1**"
3. Select group of required coding address.
4. Select coding address.
5. Select value according to the following tables and confirm with **OK**.

Service menu:

1. Press **OK** and  simultaneously for approx. 4 s.
2. Select "**①**" with  for coding level 1 and confirm with **OK**.
3. "**I**" flashes on the display for the coding addresses in group 1.
4. Select the group of required coding address with / and confirm with **OK**.
5. Select coding address with /.
6. Set value according to the following tables with / and confirm with **OK**.

Calling up coding level 1 (cont.)

Weather-compensated control unit	Constant temperature control unit
Resetting all codes to their delivered condition	
Select "Standard setting".	Select "7" with ► and confirm with OK . When "H" flashes, confirm with OK .
Note <i>This also resets the codes at coding level 2.</i>	Note <i>This also resets the codes at coding level 2.</i>

"General"/group 1

Select "**General**" for weather-compensated control units (see page 60).

Select "1" for constant temperature control units (see page 60).

Coding

Coding in the delivered condition		Possible change	
System design			
00:1	System version 1: One heating circuit without mixer A1 (heating circuit 1), without DHW heating	00:2 to 00:10	For system schemes, see the following table:

Value address 00: ...	System version	Description
2	1	One heating circuit without mixer A1 (heating circuit 1), with DHW heating (code is adjusted automatically)
3	2, 3	One heating circuit with mixer M2 (heating circuit 2), without DHW heating
4	2, 3	One heating circuit with mixer M2 (heating circuit 2), with DHW heating
5	2, 3	One heating circuit without mixer A1 (heating circuit 1) and one heating circuit with mixer M2 (heating circuit 2), without DHW heating (code is adjusted automatically)
6	2, 3	One heating circuit without mixer A1 (heating circuit 1) and one heating circuit with mixer M2 (heating circuit 2), with DHW heating (code is adjusted automatically)

"General"/group 1 (cont.)

Value address 00: ...	System version	Description
7	4	One heating circuit with mixer M2 (heating circuit 2) and one heating circuit with mixer M3 (heating circuit 3), without DHW heating
8	4	One heating circuit with mixer M2 (heating circuit 2) and one heating circuit with mixer M3 (heating circuit 3), with DHW heating
9	4	One heating circuit without mixer A1 (heating circuit 1), one heating circuit with mixer M2 (heating circuit 2) and one heating circuit with mixer M3 (heating circuit 3), without DHW heating (code is adjusted automatically)
10	4	One heating circuit without mixer A1 (heating circuit 1), one heating circuit with mixer M2 (heating circuit 2) and one heating circuit with mixer M3 (heating circuit 3), with DHW heating (code is adjusted automatically)

Coding in the delivered condition		Possible change	
Boiler/burner			
51:0	System with low loss header: Internal circulation pump always starts when there is a heat demand	51:1	System with low loss header: When there is a heat demand, the internal circulation pump is only started if the burner is operational. Circulation pump is switched off on expiry of run-on time.
		51:2	System with heating water buffer cylinder: When there is a heat demand, the internal circulation pump is only started if the burner is operational. Circulation pump is switched off on expiry of run-on time.

"General"/group 1 (cont.)

Coding in the delivered condition		Possible change	
Subscriber no.			
77:1	LON subscriber number (only for weather-compensated control units)	77:2 to 77:99	LON subscriber number, adjustable from 1 to 99: 1 - 4 = Boiler 5 = Cascade 10 - 97 = Vitotronic 200-H 98 = Vitogate 99 = Vitocom Note <i>Allocate each number only once.</i>
Detached house/apartment building			
7F:1	Detached house (only for weather-compensated control units)	7F:0	Apartment building Separate adjustment of holiday program and time program for DHW heating possible
Lock out controls			
8F:0	Operation in the standard menu and extended menu enabled. Note <i>The respective code is only activated when you exit the service menu.</i>	8F:1	Operation in standard menu and extended menu blocked. Emissions test mode can be enabled.
		8F:2	Operation enabled in the standard menu and blocked in the extended menu. Emissions test mode can be enabled.
Set flow temperature for external demand			
9b:70	Set flow temperature for external demand 70 °C	9b:0 to 9b:127	Set flow temperature for external demand adjustable from 0 to 127 °C (limited by boiler-specific parameters)

"Boiler"/group 2

Select **"Boiler"** for weather-compensated control units (see page 60).

Select **"2"** for constant temperature control units (see page 60).

Coding

Coding in the delivered condition		Possible change	
Single/multi boiler system			
01:1	Do not adjust (only for constant temperature control units)		
Burner service in 100 hours			
21:0	No service interval (hours run) selected	21:1 to 21:100	The number of hours run before the burner should be serviced is adjustable from 100 to 10 000 h One step $\hat{=}$ 100 h
Service interval in months			
23:0	No interval for burner service	23:1 to 23:24	Interval adjustable from 1 to 24 months
Service status			
24:0	"Service" not shown on display	24:1	"Service" is shown on display (the address is automatically set and must be manually reset after a service has been carried out)
Filling/Venting			
2F:0	Venting program/fill program disabled	2F:1	Venting program enabled
		2F:2	Fill program enabled

"DHW"/group 3

Select **"DHW"** for weather-compensated control units (see page 60).

Select **"3"** for constant temperature control units (see page 60).

"DHW"/group 3 (cont.)**Coding**

Coding in the delivered condition		Possible change	
Set DHW temperature reheating suppression			
67:40	For solar DHW heating: Set DHW temperature 40 °C. Reheating is suppressed above the selected set temperature (boiler is only connected as backup if the rise in cylinder temperature is too low). Cannot be adjusted on combi boilers.	67:0 to 67:95	Set DHW temperature adjustable from 0 to 95 °C (limited by boiler-specific parameters)
Enable DHW circulation pump			
73:0	DHW circulation pump: "ON" according to time program (only for weather-compensated control units and system boilers)	73:1 to 73:6	"ON" from once per hour for 5 min up to 6 times per hour for 5 min during the time program
		73:7	Constantly "ON"

"Solar"/group 4

Select **"Solar"** for weather-compensated control units (see page 60).
Select **"4"** for constant temperature control units (see page 60).

Note

The solar group is only displayed if a solar control module, type SM1, is connected.

Coding

Coding in the delivered condition		Possible change	
Speed control solar circuit pump			
02:0	Solar circuit pump is not speed-controlled.	02:1	Solar circuit pump is speed-controlled with wave packet control.
		02:2	Solar circuit pump is speed-controlled with PWM control.



"Solar"/group 4 (cont.)

Coding in the delivered condition		Possible change	
Cylinder maximum temperature			
08:60	Set DHW temperature (maximum cylinder temperature) 60 °C.	08:10 to 08:90	Set DHW temperature adjustable from 10 to 90 °C.
Stagnation time reduction			
0A:5	Temperature differential for stagnation time reduction (reduction in the speed of the solar circuit pump to protect system components and heat transfer medium) 5 K.	0A:0	Stagnation time reduction disabled.
		0A:1 to 0A:40	Temperature differential adjustable from 1 to 40 K.
Flow rate solar circuit			
0F:70	Solar circuit flow rate at the maximum pump speed 7 l/min.	0F:1 to 0F:255	Flow rate adjustable from 0.1 to 25.5 l/min; 1 step \triangleq 0.1 l/min.
Extended solar control functions			
20:0	No extended control function enabled.	20:1	Additional function for DHW heating.
		20:2	Differential temperature control 2.
		20:3	Differential temperature control 2 and auxiliary function.
		20:4	Differential temperature control 2 for central heating backup.
		20:5	Thermostat function.
		20:6	Thermostat function and auxiliary function.
		20:7	Solar heating via external heat exchanger without additional temperature sensor.
		20:8	Solar heating via external heat exchanger with additional temperature sensor.
		20:9	Solar heating of two DHW cylinders.

"Heating circuit ..."/group 5

Select **"Heating circuit ..."** for weather-compensated control units (see page 60).

Select **"5"** for constant temperature control units (see page 60).

Coding

Coding in the delivered condition		Possible change	
Economy function outside temperature			
A5:5	With heating circuit pump logic function (economy control): heating circuit pump "OFF" when the outside temperature (AT) is 1 K higher than the set room temperature (RT_{set}) $AT > RT_{set} + 1 \text{ K}$ (only for weather-compensated control units)	A5:0	Without heating circuit pump logic function
		A5:1 to A5:15	With heating circuit pump logic function: Heating circuit pump "OFF"; see following table

Parameter address A5:...	With heating circuit pump logic function: Heating circuit pump "OFF"
1	$AT > RT_{set} + 5 \text{ K}$
2	$AT > RT_{set} + 4 \text{ K}$
3	$AT > RT_{set} + 3 \text{ K}$
4	$AT > RT_{set} + 2 \text{ K}$
5	$AT > RT_{set} + 1 \text{ K}$
6	$AT > RT_{set}$
7	$AT > RT_{set} - 1 \text{ K}$
to 15	$AT > RT_{set} - 9 \text{ K}$

"Heating circuit ..."/group 5 (cont.)

Coding in the delivered condition		Possible change	
Extended economy function adjusted outside temperature			
A6:36	Extended economy control disabled (only for weather-compensated control units)	A6:5 to A6:35	Extended economy control enabled, i.e. the burner and heating circuit pump will stop and the mixer will be closed at a variable value, adjustable between 5 and 35 °C plus 1 °C. The base value is the adjusted outside temperature. This value is based on the actual outside temperature and a time constant, which takes the cooling down of an average building into consideration.
Extended economy function mixer			
A7:0	Without mixer economy function (only for weather-compensated control units and heating circuits with mixer)	A7:1	With mixer economy function (extended heating circuit pump logic): Heating circuit pump also "OFF": ■ If the mixer has been closed for longer than 20 min. Heating circuit pump "ON": ■ If the mixer changes to control function ■ If there is a risk of frost
Pump idle time, transition reduced mode			
A9:7	With pump idle time: Heating circuit pump "OFF" if the set value is altered through a change in operating mode or through a change in the set room temperature (only for weather-compensated control units)	A9:0	Without pump idle time
		A9:1 to A9:15	With pump idle time, adjustable from 1 to 15. The higher the value, the longer the pump idle time.

"Heating circuit ..."/group 5 (cont.)

Coding in the delivered condition		Possible change	
Weather-compensated/room temperature hook-up			
b0:0	With remote control: Heating mode/reduced mode: weather-compensated (only for weather-compensated control units; only change the code for the heating circuit with mixer)	b0:1	Heating mode: weather-compensated Reduced mode: with room temperature hook-up
		b0:2	Heating mode: with room temperature hook-up Reduced mode: weather-compensated
		b0:3	Heating mode/reduced mode: with room temperature hook-up

Economy function room temperature

b5:0	With remote control: No room temperature-dependent heating circuit pump logic function (only for weather-compensated control units; only change the code for the heating circuit with mixer)	b5:1 to b5:8	For heating circuit pump logic function, see the following table:
------	--	--------------	---

Parameter address b5:...	With heating circuit pump logic function:	
	Heating circuit pump "OFF"	Heating circuit pump "ON"
1	$RT_{\text{actual}} > RT_{\text{set}} + 5 \text{ K}$	$RT_{\text{actual}} < RT_{\text{set}} + 4 \text{ K}$
2	$RT_{\text{actual}} > RT_{\text{set}} + 4 \text{ K}$	$RT_{\text{actual}} < RT_{\text{set}} + 3 \text{ K}$
3	$RT_{\text{actual}} > RT_{\text{set}} + 3 \text{ K}$	$RT_{\text{actual}} < RT_{\text{set}} + 2 \text{ K}$
4	$RT_{\text{actual}} > RT_{\text{set}} + 2 \text{ K}$	$RT_{\text{actual}} < RT_{\text{set}} + 1 \text{ K}$
5	$RT_{\text{actual}} > RT_{\text{set}} + 1 \text{ K}$	$RT_{\text{actual}} < RT_{\text{set}}$
6	$RT_{\text{actual}} > RT_{\text{set}}$	$RT_{\text{actual}} < RT_{\text{set}} - 1 \text{ K}$
7	$RT_{\text{actual}} > RT_{\text{set}} - 1 \text{ K}$	$RT_{\text{actual}} < RT_{\text{set}} - 2 \text{ K}$
8	$RT_{\text{actual}} > RT_{\text{set}} - 2 \text{ K}$	$RT_{\text{actual}} < RT_{\text{set}} - 3 \text{ K}$

Coding in the delivered condition		Possible change	
Min. flow temperature heating circuit			
C5:20	Electronic minimum flow temperature limit 20 °C (only for weather-compensated control units)	C5:1 to C5:127	Minimum limit adjustable from 1 to 127 °C (limited by boiler-specific parameters)

"Heating circuit ..."/group 5 (cont.)

Coding in the delivered condition		Possible change	
Max. flow temperature heating circuit			
C6:74	Electronic maximum flow temperature limit 74 °C (only for weather-compensated control units)	C6:10 to C6:127	Maximum limit adjustable from 10 to 127 °C (limited by boiler-specific parameters)
Heating program - changeover			
d5:0	The external heating program changeover switches the heating program to "Constant operation with reduced room temperature" or "Standby mode" (only for weather-compensated control units)	d5:1	The external heating program changeover switches to "Constant operation with standard room temperature" (subject to coding address 3A, 3b and 3C)
Ext. heating program changeover to heating circuit			
d8:0	No heating program changeover via extension EA1	d8:1	Heating program changeover via input DE1 at extension EA1
		d8:2	Heating program changeover via input DE2 at extension EA1
		d8:3	Heating program changeover via input DE3 at extension EA1
Max. pump speed in standard mode			
E6:...	Maximum speed of the variable speed heating circuit pump in % of the max. speed in standard mode. Value is specified by boiler-specific parameters (only for weather-compensated control units).	E6:0 to E6:100	Maximum speed adjustable from 0 to 100 %

"Heating circuit ..."/group 5 (cont.)

Coding in the delivered condition		Possible change	
Min. pump speed			
E7:30	Minimum speed of the variable speed heating circuit pump: 30 % of the max. speed (only for weather-compensated control units)	E7:0 to E7:100	Minimum speed adjustable from 0 to 100 % of the maximum speed
Screed drying			
F1:0	Screed drying disabled (only for weather-compensated control units).	F1:1 to F1:6	Screed drying adjustable in accordance with 6 selectable temperature/time profiles (see page 151)
		F1:15	Constant flow temperature 20 °C
Party mode time limit			
F2:8	Time limit for party mode or external heating program changeover via button: 8 h (only for weather-compensated control units) ^{*1}	F2:0	No time limit for party mode ^{*1}
		F2:1 to F2:12	Time limit adjustable from 1 to 12 h ^{*1}
Pump control in "Only DHW"			
F6:25	In the "Only DHW" operating mode, the internal circulation pump is permanently on (only for constant temperature control units)	F6:0	In the "Only DHW" operating mode, the internal circulation pump is permanently off
		F6:1 to F6:24	In operating mode "DHW only", the internal circulation pump will be started 1 to 24 times per day for 10 min each time.
Pump control in "Standby mode"			
F7:25	In "Standby mode", the internal circulation pump is permanently on (only for constant temperature control units)	F7:0	In "Standby mode", the internal circulation pump is permanently off
		F7:1 to F7:24	In "Standby mode", the internal circulation pump will be started 1 to 24 times per day for 10 min each time.

^{*1} In the "Heating and DHW" program, party mode ends **automatically** when the system changes over to operation with standard room temperature.

"Heating circuit ..."/group 5 (cont.)

Coding in the delivered condition		Possible change	
Start temperature raising			
F8:-5	Temperature limit for terminating reduced mode -5 °C, see example on page 153. Observe the setting of coding address "A3". (only for weather-compensated control units)	F8:+10 to F8:-60	Temperature limit adjustable from +10 to -60 °C
		F8:-61	Function disabled
End temperature raising			
F9:-14	Temperature limit for raising the set reduced room temperature -14 °C, see example on page 153. (only for weather-compensated control units)	F9:+10 to F9:-60	Temperature limit for raising the set room temperature to the value selected for standard mode adjustable from +10 to -60 °C
Set flow temperature increase			
FA:20	Raising the set boiler water or flow temperature by 20 % when changing from operation with reduced room temperature to operation with standard room temperature. See example on page 154 (only for weather-compensated control units).	FA:0 to FA:50	Temperature rise adjustable from 0 to 50 %
Duration set flow temperature increase			
Fb:60	Duration of the set boiler water or flow temperature rise (see coding address "FA") 60 min. See example on page 154 (only for weather-compensated control units).	Fb:0 to Fb:300	Duration adjustable from 0 to 300 min.

Calling up coding level 2

Calling up coding level 2

- All codes are accessible in coding level 2.
- Codes that have not been assigned due to the heating system equipment level or the setting of other codes are not displayed.
- The heating circuit without mixer is designated "**Heating circuit 1**" and the heating circuits with mixer as "**Heating circuit 2**" or "**Heating circuit 3**".

If the heating circuits were given individual designations, the selected designation and "**HC1**", "**HC2**" or "**HC3**" appear instead.

Weather-compensated control unit

The codes are divided into groups

- "General"
- "Boiler"
- "DHW"
- "Solar"
- "Heating circuit 1/2/3"
- "All codes std device"

In this group, all coding addresses (except the coding addresses from the "Solar" group) are displayed in ascending order.
- "Standard setting"



Constant temperature control unit

- 1: "General"
- 2: "Boiler"
- 3: "DHW"
- 4: "Solar"
- 5: "Heating circuit 1"
- 6: "All codes std device"






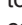
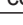


In this group, all coding addresses are displayed in ascending order.
- 7: "Standard setting"

Call up code 2

Service menu:

1. Press **OK** and  simultaneously for approx. 4 s.
2. Press **OK** and  simultaneously for approx. 4 s.
3. "**Coding level 2**"
4. Select group of required coding address.
5. Select coding address.
6. Select value according to the following tables and confirm with **OK**.

Service menu:

1. Press **OK** and  simultaneously for approx. 4 s.
2. Press **OK** and  simultaneously for approx. 4 s.
3. Select "**2**" with  for coding level 2 and confirm with **OK**.
4. "**I**" flashes on the display for the coding addresses in group 1.
5. Select the group of required coding address with / and confirm with **OK**.
6. Select coding address with /.
7. Set value according to the following tables with / and confirm with **OK**.

Calling up coding level 2 (cont.)

Weather-compensated control unit

Resetting all codes to their delivered condition

Select "**Standard setting**".

Note

This also resets codes at coding level 1.

Constant temperature control unit

Select "**7**" with **▶** and confirm with **OK**.
When "**H**" flashes, confirm with **OK**.

Note

This also resets codes at coding level 1.

"General"/group 1

Select "**General**" for weather-compensated control units (see page 73).

Select "**1**" for constant temperature control units (see page 73).

Coding

Coding in the delivered condition		Possible change	
00:1	System version 1: One heating circuit without mixer A1 (heating circuit 1), without DHW heating	00:2 to 00:10	For system schemes, see the following table:

Value address 00: ...	System version	Description
2	1	One heating circuit without mixer A1 (heating circuit 1), with DHW heating (code is adjusted automatically)
3	2, 3	One heating circuit with mixer M2 (heating circuit 2), without DHW heating
4	2, 3	One heating circuit with mixer M2 (heating circuit 2), with DHW heating
5	2, 3	One heating circuit without mixer A1 (heating circuit 1) and one heating circuit with mixer M2 (heating circuit 2), without DHW heating (code is adjusted automatically)
6	2, 3	One heating circuit without mixer A1 (heating circuit 1) and one heating circuit with mixer M2 (heating circuit 2), with DHW heating (code is adjusted automatically)

"General"/group 1 (cont.)

Value address 00: ...	System version	Description
7	4	One heating circuit with mixer M2 (heating circuit 2) and one heating circuit with mixer M3 (heating circuit 3), without DHW heating
8	4	One heating circuit with mixer M2 (heating circuit 2) and one heating circuit with mixer M3 (heating circuit 3), with DHW heating
9	4	One heating circuit without mixer A1 (heating circuit 1), one heating circuit with mixer M2 (heating circuit 2) and one heating circuit with mixer M3 (heating circuit 3), without DHW heating (code is adjusted automatically)
10	4	One heating circuit without mixer A1 (heating circuit 1), one heating circuit with mixer M2 (heating circuit 2) and one heating circuit with mixer M3 (heating circuit 3), with DHW heating (code is adjusted automatically)

Coding in the delivered condition		Possible change	
11:#9	No access to the coding addresses for the combustion controller parameters	11:9	Access open to the coding addresses for the combustion controller parameters
25:0	Without outside temperature sensor (for constant temperature control units)	25:1	With outside temperature sensor (automatic recognition)
2A:0	Without wireless outside temperature sensor	2A:1	With wireless outside temperature sensor (automatic recognition)
		2A:2	Wireless outside temperature sensor not used
2d:0	Do not adjust		
32:0	Without extension AM1	32:1	With extension AM1 (automatic recognition)
33:1	Function output A1 at extension AM1: Heating circuit pump	33:0	Function output A1: DHW circulation pump
		33:2	Function output A1: Circulation pump for cylinder heating



"General"/group 1 (cont.)

Coding in the delivered condition		Possible change	
34:0	Function output A2 at extension AM1: DHW circulation pump	34:1	Function output A2: Heating circuit pump
		34:2	Function output A2: Circulation pump for cylinder heating
35:0	Without extension EA1	35:1	With extension EA1 (automatic recognition)
36:0	Function output 157 at extension EA1: Fault message	36:1	Function output 157 : Feed pump
		36:2	Function output 157 : DHW circulation pump
3A:0	Function input DE1 at extension EA1: Not assigned	3A:1	Function input DE1: Heating program - changeover
		3A:2	Function input DE1: External demand with set flow temperature. Flow temperature setting: Coding address 9b. Internal circulation pump function: Coding address 3F.
		3A:3	Function input DE1: External blocking. Internal circulation pump function: Coding address 3E
		3A:4	Function input DE1: External blocking with fault message input Internal circulation pump function: Coding address 3E
		3A:5	Function input DE1: Fault message input
		3A:6	Function input DE1: Brief operation, DHW circulation pump (pushbutton function). DHW circulation pump runtime adjustment: Coding address 3d

"General"/group 1 (cont.)

Coding in the delivered condition		Possible change	
3b:0	Function input DE2 at extension EA1: Not assigned	3b:1	Function input DE2: Heating program - changeover
		3b:2	Function input DE2: External demand with set flow temperature. Flow temperature setting: Coding address 9b. Internal circulation pump function: Coding address 3F.
		3b:3	Function input DE2: External blocking. Internal circulation pump function: Coding address 3E
		3b:4	Function input DE2: External blocking with fault message input Internal circulation pump function: Coding address 3E
		3b:5	Function input DE2: Fault message input
		3b:6	Function input DE2: Brief operation, DHW circulation pump (pushbutton function). DHW circulation pump runtime adjustment: Coding address 3d
		3C:0	Function input DE3 at extension EA1: Not assigned
3C:2	Function input DE3: External demand with set flow temperature. Flow temperature setting: Coding address 9b. Internal circulation pump function: Coding address 3F.		



"General"/group 1 (cont.)

Coding in the delivered condition		Possible change	
		3C:3	Function input DE3: External blocking. Internal circulation pump function: Coding address 3E
		3C:4	Function input DE3: External blocking with fault message input Internal circulation pump function: Coding address 3E
		3C:5	Function input DE3: Fault message input
		3C:6	Function input DE3: Brief operation, DHW circulation pump (pushbutton function). DHW circulation pump runtime adjustment: Coding address 3d
3d:5	DHW circulation pump runtime for brief operation: 5 min	3d:1 to 3d:60	DHW circulation pump runtime adjustable from 1 to 60 min
3E:0	Internal circulation pump stays in control mode at signal "External blocking"	3E:1	Internal circulation pump stops at signal "External blocking"
		3E:2	Internal circulation pump starts at signal "External blocking"
3F:0	Internal circulation pump stays in control mode at signal "External demand"	3F:1	Internal circulation pump stops at signal "External demand"
		3F:2	Internal circulation pump starts at signal "External demand"
4b:0	Function input <u>96</u> : Room temperature controller (Vitolrol 100). Only for constant temperature control units.	4b:1	External demand
		4b:2	External blocking

"General"/group 1 (cont.)

Coding in the delivered condition		Possible change	
51:0	System with low loss header: Internal circulation pump always starts when there is a heat demand	51:1	System with low loss header: When there is a heat demand, the internal circulation pump is only started if the burner is operational. Circulation pump is switched off on expiry of run-on time.
		51:2	System with heating water buffer cylinder: When there is a heat demand, the internal circulation pump is only started if the burner is operational. Circulation pump is switched off on expiry of run-on time.
52:0	Without flow temperature sensor for low loss header	52:1	With flow temperature sensor for low loss header (automatic recognition)
53:1	Function connection 28 of the internal extension: DHW circulation pump	53:0	Function connection 28 : Central fault message
		53:2	Function connection 28 : External heating circuit pump (heating circuit 1)
		53:3	Function connection 28 : External circulation pump for cylinder heating
54:0	Without solar thermal system	54:1	With Vitosolic 100 (automatic recognition)
		54:2	With Vitosolic 200 (automatic recognition)
		54:3	No function
		54:4	With solar control module SM1 with auxiliary function, e.g. central heating backup (automatic recognition)
6E:50	No display correction of the outside temperature.	6E:0 to 6E:49	Display correction -5 K to -0.1 K

"General"/group 1 (cont.)

Coding in the delivered condition		Possible change	
		6E:51 to 6E:100	Display correction +0.1 K to +5 K
76:0	Without LON communication module (only for weather-compensated control units)	76:1	With LON communication module (automatic recognition)
77:1	LON subscriber number (only for weather-compensated control units)	77:2 to 77:99	LON subscriber number, adjustable from 1 to 99: 1 - 4 = Boiler 5 = Cascade 10 - 97 = Vitotronic 200-H 98 = Vitogate 99 = Vitocom Note <i>Allocate each number only once.</i>
79:1	With LON communication module: Control unit is fault manager (only for weather-compensated control units)	79:0	Control unit is not fault manager
7b:1	With LON communication module: Control unit transmits the time (only for weather-compensated control units)	7b:0	Does not transmit time
7F:1	Detached house (only for weather-compensated control units)	7F:0	Apartment building Separate adjustment of holiday program and time program for DHW heating possible
80:6	If a fault occurs for at least 30 s, a fault message is displayed	80:0	Immediate fault message
		80:2 to 80:199	Minimum fault duration until fault message occurs, adjustable from 10 s to 995 s; 1 step $\hat{=}$ 5 s
81:1	Automatic summer/winter-time changeover	81:0	Manual summer/winter-time changeover

"General"/group 1 (cont.)

Coding in the delivered condition		Possible change	
		81:2	Use of the radio clock receiver (automatic recognition)
		81:3	With LON communication module: The control unit receives the time
82:0	Operation with natural gas	82:1	Operation with LPG (only adjustable if coding address 11:9 has been set)
86:...	Do not adjust		
87:...	Do not adjust		
88:0	Temperature displayed in °C (Celsius)	88:1	Temperature displayed in °F (Fahrenheit)
8A:175	Do not adjust.		
8F:0	All controls active	8F:1	All controls locked out
		8F:2	Only standard settings can be controlled
90:128	Time constant for calculating adjusted outside temperature 21.3 h	90:1 to 90:199	Fast (low values) or slow (high values) matching of the flow temperature, subject to the set value when the outside temperature changes; 1 step \pm 10 min
94:0	Without OpenTherm extension	94:1	With OpenTherm extension (automatic recognition)
95:0	Without communication interface Vitocom 100, type GSM	95:1	With communication interface Vitocom 100, type GSM (automatic recognition)
97:0	With LON communication module: The outside temperature of the sensor connected to the control unit is utilised internally (only for weather-compensated control units)	97:1	Control unit receives outside temperature
		97:2	The control unit transmits the outside temperature to the Vitotronic 200-H

"General"/group 1 (cont.)

Coding in the delivered condition		Possible change	
98:1	Viessmann system number (in conjunction with monitoring several systems via Vitocom 300)	98:1 to 98:5	System number adjustable from 1 to 5
99:0	Do not adjust		
9A:0	Do not adjust		
9b:70	Set flow temperature for external demand 70 °C	9b:0 to 9b:127	Set flow temperature for external demand adjustable from 0 to 127 °C (limited by boiler-specific parameters)
9C:20	Monitoring LON subscribers. If there is no response from a subscriber after 20 min, the values specified inside the control unit are used. Only then will a fault message be issued. (only for weather-compensated control units)	9C:0	No monitoring
		9C:5 to 9C:60	Time adjustable from 5 to 60 min
9F:8	Differential temperature 8 K; only in conjunction with the mixer circuit (only for weather-compensated control units)	9F:0 to 9F:40	Differential temperature adjustable from 0 to 40 K

"Boiler"/group 2

Select **"Boiler"** for weather-compensated control units (see page 73).

Select **"2"** for constant temperature control units (see page 73).

"Boiler"/group 2 (cont.)**Coding**

Coding in the delivered condition		Possible change	
01:1	Do not adjust (only for constant temperature control units)		
04:1	Minimum burner pause time subject to the boiler load (specified by boiler coding card)	04:0	Minimum burner pause time set permanently (specified by boiler coding card)
06:...	Maximum limit of the boiler water temperature, defaulted in °C by the boiler coding card	06:20 to 06:127	Maximum limit of the boiler water temperature within the ranges specified by the boiler
0d:0	Do not adjust		
0E:0	Do not adjust		
13:1	Do not adjust		
14:1	Do not adjust		
15:1	Do not adjust		
21:0	No service interval (hours run) selected	21:1 to 21:100	The number of hours run before the burner should be serviced is adjustable from 100 to 10 000 h One step \pm 100 h
23:0	No interval for burner service	23:1 to 23:24	Interval adjustable from 1 to 24 months
24:0	"Service" not shown on display	24:1	"Service" is shown on display (the address is automatically set and must be manually reset after a service has been carried out)
28:0	No burner interval ignition	28:1 to 28:24	Time interval adjustable from 1 to 24 h. The burner is force-started once every 30 s (only when operating with LPG).
2E:0	Do not adjust		
2F:0	Venting program/fill program disabled	2F:1	Venting program enabled
		2F:2	Fill program enabled



"Boiler"/group 2 (cont.)

Coding in the delivered condition		Possible change	
30:1	Internal variable speed circulation pump (automatic adjustment)	30:0	Internal circulation pump without variable speed (e.g. temporarily for service)
31:...	Set speed of the internal circulation pump when operated as boiler circuit pump in %, specified by the boiler coding card	31:0 to 31:100	Set speed adjustable from 0 to 100 %
38:0	Status burner control unit: Operational (no fault)	38:≠0	Status burner control unit: Error

"DHW"/group 3

Select **"DHW"** for weather-compensated control units (see page 73).

Select **"3"** for constant temperature control units (see page 73).

Coding

Coding in the delivered condition		Possible change	
56:0	Set DHW temperature adjustable from 10 to 60 °C	56:1	Set DHW temperature adjustable from 10 to above 60 °C Note <i>Max. value subject to boiler coding card. Observe the max. permissible DHW temperature.</i>
57:0	Do not adjust.		
58:0	Without auxiliary function for DHW heating	58:10 to 58:60	Input of a second set DHW temperature, adjustable from 10 to 60 °C (observe coding addresses "56" and "63")
59:0	Cylinder heating: Start point -2.5 K Stop point +2.5 K	59:1 to 59:10	Start point adjustable from 1 to 10 K below set value

"DHW"/group 3 (cont.)

Coding in the delivered condition		Possible change	
5b:0	DHW cylinder directly connected to the boiler	5b:1	DHW cylinder connected downstream of the low loss header
5E:0	Circulation pump for cylinder heating stays in control mode at signal "External blocking"	5E:1	Circulation pump for cylinder heating stops at signal "External blocking"
		5E:2	Circulation pump for cylinder heating starts at signal "External blocking"
5F:0	Circulation pump for cylinder heating stays in control mode at signal "External demand"	5F:1	Circulation pump for cylinder heating stops at signal "External demand"
		5F:2	Circulation pump for cylinder heating starts at signal "External demand"
60:20	During DHW heating, the boiler water temperature is max. 20 K higher than the set DHW temperature	60:5 to 60:25	The difference between the boiler water temperature and the set DHW temperature is adjustable from 5 to 25 K
62:2	Circulation pump with 2 min run-on time after cylinder heating	62:0	Circulation pump without run-on time
		62:1 to 62:15	Run-on time adjustable from 1 to 15 min
63:0	Without auxiliary function for DHW heating (only for constant temperature control units)	63:1	Auxiliary function: 1 x daily
		63:2 to 63:14	Every 2 days to every 14 days
		63:15	2 x daily
65:...	Information on the type of diverter valve (never adjust; specified by the boiler coding card)		

"DHW"/group 3 (cont.)

Coding in the delivered condition		Possible change	
67:40	For solar DHW heating: Set DHW temperature 40 °C. Reheating is suppressed above the selected set temperature (boiler is only connected as backup if the rise in cylinder temperature is too low).	67:0 to 67:95	Set DHW temperature adjustable from 0 to 95 °C (limited by boiler-specific parameters)
6C:100	Set speed, internal circulation pump for DHW heating 100 %	6C:0 to 6C:100	Set speed adjustable from 0 to 100 %
6d:0	Draw-off function disabled (only for combi boilers)	6d:1 to 6d:15	Draw-off function with a runtime of 1 to 15 min
6F:...	Max. heating output for DHW heating in %, specified by the boiler coding card	6F:0 to 6F:100	Max. heating output for DHW heating adjustable from min. heating output to 100 %
71:0	DHW circulation pump: "ON" in accordance with the time program (only for weather-compensated control units)	71:1	"OFF" during DHW heating to set value 1
		71:2	"ON" during DHW heating to set value 1
72:0	DHW circulation pump: "ON" in accordance with the time program (only for weather-compensated control units)	72:1	"OFF" during DHW heating to set value 2
		72:2	"ON" during DHW heating to set value 2
73:0	DHW circulation pump: "ON" in accordance with the time program (only for weather-compensated control units)	73:1 to 73:6	"ON" from once per hour for 5 min up to 6 times per hour for 5 min during the time program
		73:7	Constantly "ON"

"Solar"/group 4

Select **"Solar"** for weather-compensated control units (see page 73).

Select **"4"** for constant temperature control units (see page 73).

"Solar"/group 4 (cont.)**Note**

The solar group is only displayed if a solar control module, type SM1, is connected.

Coding

Coding in the delivered condition		Possible change	
00:8	Start temperature differential for solar circuit pump 8 K.	00:2 to 00:30	Start temperature differential adjustable from 2 to 30 K.
01:4	Stop temperature differential for solar circuit pump 4 K.	01:1 to 01:29	Stop temperature differential adjustable from 1 to 29 K.
02:0	Solar circuit pump is not speed-controlled.	02:1	Solar circuit pump is speed-controlled with wave packet control.
		02:2	Solar circuit pump is speed-controlled with PWM control.
03:10	Temperature differential for the start of the speed control 10 K.	03:5 to 03:20	Temperature differential adjustable from 5 to 20 K.
04:4	Controller amplification of the speed control 4 %/K.	04:1 to 04:10	Controller amplification adjustable from 1 to 10 %/K.
05:10	Min. speed of the solar circuit pump 10 % of the max. speed.	05:2 to 05:100	Min. speed of the solar circuit pump is adjustable from 2 to 100 %.
06:75	Max. speed of the solar circuit pump 75 % of the max. possible speed.	06:1 to 06:100	Max. speed of the solar circuit pump is adjustable from 1 to 100 %.
07:0	Interval function of the solar circuit pump switched off.	07:1	Interval function of the solar circuit pump switched on. To capture the collector temperature more accurately, the solar circuit pump starts for short cycles.



"Solar"/group 4 (cont.)

Coding in the delivered condition		Possible change	
08:60	Set DHW temperature (maximum cylinder temperature) 60 °C.	08:10 to 08:90	Set DHW temperature adjustable from 10 to 90 °C.
09:130	Maximum collector temperature (to protect the system components) 130 °C.	09:20 to 09:200	Temperature adjustable from 20 to 200 °C.
0A:5	Temperature differential for stagnation time reduction (reduction in the speed of the solar circuit pump to protect system components and heat transfer medium) 5 K.	0A:0	Stagnation time reduction is disabled.
		0A:1 to 0A:40	Temperature differential adjustable from 1 to 40 K.
0b:0	Frost protection function for solar circuit switched off.	0b:1	Frost protection function for solar circuit switched on (not required with Viessmann heat transfer medium).
0C:1	Delta T monitoring switched on. No flow rate captured in the solar circuit, or flow rate too low.	0C:0	Delta T monitoring switched off.
0d:1	Night circulation monitoring switched on. Unintentional flow rate is captured in the solar circuit (e.g. at night).	0d:0	Night circulation monitoring switched off.
0E:1	Heat statement in conjunction with Viessmann heat transfer medium.	0E:2	Do not adjust.
		0E:0	No heat statement.
0F:70	Flow rate solar circuit at max. pump speed 7 l/min.	0F:1 to 0F:255	Flow rate adjustable from 0.1 to 25.5 l/min. 1 step \triangleq 0.1 l/min
10:0	Target temperature control switched off (see coding address "11").	10:1	Target temperature control switched on.
11:50	Set solar DHW temperature 50 °C.	11:10 to 11:90	The set solar DHW temperature is adjustable from 10 to 90 °C.

"Solar"/group 4 (cont.)

Coding in the delivered condition		Possible change	
	<ul style="list-style-type: none"> ■ Target temperature control switched on (code "10:1"): Temperature at which the solar heated water in the DHW cylinder is to be stratified. ■ Code "20:9" (heating of two DHW cylinders) is selected: When one DHW cylinder reaches its set DHW temperature, the second DHW cylinder is heated. 		
12:10	Minimum collector temperature (minimum start temperature for the solar circuit pump) 10 °C.	12:0	No minimum limit enabled.
		12:1 to 12:90	Minimum collector temperature adjustable from 1 to 90 °C.
20:0	No extended control functions enabled.	20:1	Additional function for DHW heating.
		20:2	Differential temperature control 2.
		20:3	Differential temperature control 2 and auxiliary function.
		20:4	Differential temperature control 2 for central heating backup.
		20:5	Thermostat function.
		20:6	Thermostat function and auxiliary function.
		20:7	Solar heating via external heat exchanger without additional temperature sensor.
		20:8	Solar heating via external heat exchanger with additional temperature sensor.
		20:9	Solar heating of two DHW cylinders.

"Solar"/group 4 (cont.)

Coding in the delivered condition		Possible change	
22:8	Start temperature differential with central heating backup (code "20:4" must be selected) 8 K.	22:2 to 22:30	Start temperature differential adjustable from 2 to 30 K.
23:4	Stop temperature differential with central heating backup (code "20:4" must be selected) 4 K.	23:2 to 23:30	Stop temperature differential adjustable from 1 to 29 K.
24:40	Start temperature for thermostat function (code "20:5" or "20:6" must be selected) 40 °C.	24:0 to 24:100	Start temperature for thermostat function adjustable from 0 to 100 K.
25:50	Stop temperature for thermostat function (code "20:5" or "20:6" must be selected) 50 °C.	25:0 to 25:100	Stop temperature for thermostat function adjustable from 0 to 100 K.
26:1	Priority for DHW cylinder 1 with cyclical heating. (Code "20:9" must be selected).	26:0	Priority for DHW cylinder 1 without cyclical heating.
		26:2	Priority for DHW cylinder 2 without cyclical heating.
		26:3	Priority for DHW cylinder 2 with cyclical heating.
		26:4	Cyclical heating without priority for either DHW cylinder.
27:15	Cyclical heating time 15 min. The DHW cylinder without priority is heated at most for the duration of the set cyclical heating time if the DHW cylinder with priority is heated up.	27:5 to 27:60	The cyclical heating time is adjustable from 5 to 60 min.
28:3	Cyclical pause time 3 min.	28:1 to 28:60	Cyclical pause time is adjustable from 1 to 60 min.

"Solar"/group 4 (cont.)

Coding in the delivered condition		Possible change	
	After the selected cyclical heating time for the DHW cylinder without priority has expired, the rise in collector temperature is captured during the cyclical pause time.		

"Heating circuit ..."/group 5

Select **"Heating circuit ..."** for weather-compensated control units (see page 73).

Select **"5"** for constant temperature control units (see page 73).

Coding

Coding in the delivered condition		Possible change	
A0:0	Without remote control	A0:1	With Vitotrol 200A/200 RF (automatic recognition)
		A0:2	With Vitotrol 300A/300 RF or Vitohome 300 (automatic recognition)
A1:0	All possible settings at the remote control can be accessed	A1:1	Only party mode can be set at the remote control (only for Vitotrol 200)
A3:2	Outside temperature below 1 °C: Heating circuit pump "ON" Outside temperature above 3 °C: Heating circuit pump "OFF"	A3:-9 to A3:15	Heating circuit pump "ON/OFF" (see the following table)

**Please note**

If a value below 1 °C is selected, there is a risk that pipes outside the thermal envelope of the house could freeze up.

The standby mode in particular should be taken into consideration, e.g. during holidays.

"Heating circuit ..."/group 5 (cont.)

Parameter Address A3:...	Heating circuit pump	
	"ON"	"OFF"
-9	-10 °C	-8 °C
-8	-9 °C	-7 °C
-7	-8 °C	-6 °C
-6	-7 °C	-5 °C
-5	-6 °C	-4 °C
-4	-5 °C	-3 °C
-3	-4 °C	-2 °C
-2	-3 °C	-1 °C
-1	-2 °C	0 °C
0	-1 °C	1 °C
1	0 °C	2 °C
2	1 °C	3 °C
to	to	to
15	14 °C	16 °C

Coding in the delivered condition		Possible change	
A4:0	With frost protection (only for weather-compensated control units)	A4:1	No frost protection; this setting is only possible if code "A3:-9" has been selected. Note <i>Observe "Please note" for code "A3"</i>
A5:5	With heating circuit pump logic function (economy control): heating circuit pump "OFF" when the outside temperature (AT) is 1 K higher than the set room temperature (RT_{set}) $AT > RT_{set} + 1 K$ (only for weather-compensated control units)	A5:0 A5:1 to A5:15	Without heating circuit pump logic function With heating circuit pump logic function: Heating circuit pump "OFF"; see following table

"Heating circuit ..."/group 5 (cont.)

Parameter address A5:...	With heating circuit pump logic function: Heating circuit pump "OFF"
1	$AT > RT_{\text{set}} + 5 \text{ K}$
2	$AT > RT_{\text{set}} + 4 \text{ K}$
3	$AT > RT_{\text{set}} + 3 \text{ K}$
4	$AT > RT_{\text{set}} + 2 \text{ K}$
5	$AT > RT_{\text{set}} + 1 \text{ K}$
6	$AT > RT_{\text{set}}$
7	$AT > RT_{\text{set}} - 1 \text{ K}$
to	
15	$AT > RT_{\text{set}} - 9 \text{ K}$

Coding in the delivered condition		Possible change	
A6:36	Extended economy control disabled (only for weather-compensated control units)	A6:5 to A6:35	Extended economy control enabled, i.e. the burner and heating circuit pump will stop and the mixer will be closed at a variable value, adjustable between 5 and 35 °C plus 1 °C. The base value is the adjusted outside temperature. This value is based on the actual outside temperature and a time constant, which takes the cooling down of an average building into consideration.
A7:0	Without mixer economy function (only for weather-compensated control units and heating circuits with mixer)	A7:1	With mixer economy function (extended heating circuit pump logic): Heating circuit pump also "OFF": <ul style="list-style-type: none"> ■ If the mixer has been closed for longer than 20 min. Heating circuit pump "ON": <ul style="list-style-type: none"> ■ If the mixer changes to control function ■ If there is a risk of frost

"Heating circuit ..."/group 5 (cont.)

Coding in the delivered condition		Possible change	
A8:1	Heating circuit with mixer creates a demand for the internal circulation pump (only for weather-compensated control units)	A8:0	Heating circuit with mixer creates no demand for the internal circulation pump
A9:7	With pump idle time: Heating circuit pump "OFF" if the set value is altered through a change in operating mode or through a change in the set room temperature (only for weather-compensated control units)	A9:0	Without pump idle time
		A9:1 A9:15	With pump idle time, adjustable from 1 to 15. The higher the value, the longer the pump idle time.
b0:0	With remote control: Heating mode/reduced mode: weather-compensated (only for weather-compensated control units; only change the code for the heating circuit with mixer)	b0:1	Heating mode: weather-compensated Reduced mode: with room temperature hook-up
		b0:2	Heating mode: with room temperature hook-up Reduced mode: weather-compensated
		b0:3	Heating mode/reduced mode: with room temperature hook-up
b2:8	With remote control and for the heating circuit, operation with room temperature hook-up must be programmed: Room influence factor 8 (only for weather-compensated control units; only change the code for the heating circuit with mixer)	b2:0	Without room influence
		b2:1 to	Room influence factor adjustable from 1 to 64. The higher the value, the greater the room influence.

"Heating circuit ..."/group 5 (cont.)

Coding in the delivered condition		Possible change	
b5:0	With remote control: No room temperature-dependent heating circuit pump logic function (only for weather-compensated control units; only change the code for the heating circuit with mixer)	b2:64 b5:1 to b5:8	For heating circuit pump logic function, see the following table:

Parameter address b5:...	With heating circuit pump logic function:	
	Heating circuit pump "OFF"	Heating circuit pump "ON"
1	$RT_{\text{actual}} > RT_{\text{set}} + 5 \text{ K}$	$RT_{\text{actual}} < RT_{\text{set}} + 4 \text{ K}$
2	$RT_{\text{actual}} > RT_{\text{set}} + 4 \text{ K}$	$RT_{\text{actual}} < RT_{\text{set}} + 3 \text{ K}$
3	$RT_{\text{actual}} > RT_{\text{set}} + 3 \text{ K}$	$RT_{\text{actual}} < RT_{\text{set}} + 2 \text{ K}$
4	$RT_{\text{actual}} > RT_{\text{set}} + 2 \text{ K}$	$RT_{\text{actual}} < RT_{\text{set}} + 1 \text{ K}$
5	$RT_{\text{actual}} > RT_{\text{set}} + 1 \text{ K}$	$RT_{\text{actual}} < RT_{\text{set}}$
6	$RT_{\text{actual}} > RT_{\text{set}}$	$RT_{\text{actual}} < RT_{\text{set}} - 1 \text{ K}$
7	$RT_{\text{actual}} > RT_{\text{set}} - 1 \text{ K}$	$RT_{\text{actual}} < RT_{\text{set}} - 2 \text{ K}$
8	$RT_{\text{actual}} > RT_{\text{set}} - 2 \text{ K}$	$RT_{\text{actual}} < RT_{\text{set}} - 3 \text{ K}$

Coding in the delivered condition		Possible change	
C5:20	Electronic minimum flow temperature limit 20 °C (only for weather-compensated control units)	C5:1 to C5:127	Minimum limit adjustable from 1 to 127 °C (limited by boiler-specific parameters)
C6:74	Electronic maximum flow temperature limit 74 °C (only for weather-compensated control units)	C6:10 to C6:127	Maximum limit adjustable from 10 to 127 °C (limited by boiler-specific parameters)
d3:14	Heating curve slope = 1.4	d3:2 to d3:35	Heating curve slope adjustable from 0.2 to 3.5 (see page 54)
d4:0	Heating curve level = 0	d4:-13 to d4:40	Heating curve level adjustable from -13 to 40 (see page 54)

"Heating circuit ..."/group 5 (cont.)

Coding in the delivered condition		Possible change	
d5:0	The external heating program changeover switches the heating program to "Constant operation with reduced room temperature" or "Standby mode" (only for weather-compensated control units)	d5:1	The external heating program changeover switches to "Constant operation with standard room temperature" (subject to coding address 3A, 3b and 3C)
d6:0	Heating circuit pump stays in control mode at signal "External blocking"	d6:1	Heating circuit pump stops at signal "External blocking" (subject to coding addresses 3A, 3b and 3C)
		d6:2	Heating circuit pump starts at signal "External blocking" (subject to coding addresses 3A, 3b and 3C)
d7:0	Heating circuit pump stays in control mode at signal "External demand"	d7:1	Heating circuit pump stops at signal "External demand" (subject to coding addresses "3A", "3b" and "3C")
		d7:2	Heating circuit pump starts at signal "External demand" (subject to coding addresses "3A", "3b" and "3C")
d8:0	No heating program changeover via extension EA1	d8:1	Heating program changeover via input DE1 at extension EA1
		d8:2	Heating program changeover via input DE2 at extension EA1
		d8:3	Heating program changeover via input DE3 at extension EA1
E1:1	Do not adjust		

"Heating circuit ..."/group 5 (cont.)

Coding in the delivered condition		Possible change	
E2:50	With remote control: No display correction for the actual room temperature (only for weather-compensated control units)	E2:0 to E2:49	Display correction -5 K to Display correction -0.1 K
		E2:51 to E2:99	Display correction +0.1 K to Display correction +4.9 K
E5:0	Without external variable speed heating circuit pump (only for weather-compensated control units)	E5:1	With external variable speed heating circuit pump (automatic recognition)
E6:...	Maximum speed of the variable speed heating circuit pump in % of the max. speed in standard mode. Value is specified by boiler-specific parameters (only for weather-compensated control units).	E6:0 to E6:100	Maximum speed adjustable from 0 to 100 %
E7:30	Minimum speed of the variable speed heating circuit pump: 30 % of the max. speed (only for weather-compensated control units)	E7:0 to E7:100	Minimum speed adjustable from 0 to 100 % of the maximum speed
E8:1	Minimum speed in operation with reduced room temperature subject to the setting in coding address "E9" (only for weather-compensated control units)	E8:0	Speed subject to the setting in coding address "E7"
E9:45	Speed of the variable speed heating circuit pump: 45 % of the max. speed during operation with reduced room temperature (only for weather-compensated control units)	E9:0 to E9:100	Speed adjustable from 0 to 100 % of the maximum speed during operation with reduced room temperature

"Heating circuit ..."/group 5 (cont.)

Coding in the delivered condition		Possible change	
F1:0	Screed drying disabled (only for weather-compensated control units).	F1:1 to F1:6	Screed drying adjustable in accordance with 6 selectable temperature/time profiles (see page 151)
		F1:15	Constant flow temperature 20 °C
F2:8	Time limit for party mode or external heating program changeover via button: 8 h (only for weather-compensated control units) ^{*1}	F2:0	No time limit for party mode ^{*1}
		F2:1 to F2:12	Time limit adjustable from 1 to 12 h ^{*1}
F5:12	Run-on time of the internal circulation pump in heating mode: 12 min (only for constant temperature control units)	F5:0	No run-on time for the internal circulation pump
		F5:1 to F5:20	Run-on time of the internal circulation pump adjustable from 1 to 20 min
F6:25	In the "Only DHW" operating mode, the internal circulation pump is permanently on (only for constant temperature control units)	F6:0	In the "Only DHW" operating mode, the internal circulation pump is permanently off
		F6:1 to F6:24	In operating mode "Only DHW", the internal circulation pump will be started 1 to 24 times per day for 10 min each time.
F7:25	In "Standby mode", the internal circulation pump is permanently on (only for constant temperature control units)	F7:0	In "Standby mode", the internal circulation pump is permanently off
		F7:1 to F7:24	In "Standby mode", the internal circulation pump will be started 1 to 24 times per day for 10 min each time.
F8:-5	Temperature limit for terminating reduced mode -5 °C, see example on page 153.	F8:+10 to F8:-60	Temperature limit adjustable from +10 to -60 °C
		F8:-61	Function disabled

^{*1} In the "Heating and DHW" program, party mode ends **automatically** when the system changes over to operation with standard room temperature.

"Heating circuit ..."/group 5 (cont.)

Coding in the delivered condition		Possible change	
	Observe the setting of coding address "A3". (only for weather-compensated control units)		
F9:-14	Temperature limit for raising the set reduced room temperature -14 °C, see example on page 153. (only for weather-compensated control units)	F9:+10 to F9:-60	Temperature limit for raising the set room temperature to the value selected for standard mode adjustable from +10 to -60 °C
FA:20	Raising the set boiler water or flow temperature by 20 % when changing from operation with reduced room temperature to operation with standard room temperature. See example on page 154 (only for weather-compensated control units).	FA:0 to FA:50	Temperature rise adjustable from 0 to 50 %
Fb:60	Duration of the set boiler water or flow temperature rise (see coding address "FA") 60 min. See example on page 154 (only for weather-compensated control units).	Fb:0 to Fb:300	Duration adjustable from 0 to 300 min.

Service level

Weather-compensated control unit

Calling up the service level

Service menu:

1. Press **OK** and **≡** simultaneously for approx. 4 s.
2. Select required menu. See the following diagram.

Exiting the service level

Service menu:

1. Select **"Terminate service?"**.
2. Select **"Yes"**.
3. Confirm with **OK**.

Note

The system exits the service level automatically after 30 min.

Constant temperature control unit

Service menu:

1. Press **OK** and **≡** simultaneously for approx. 4 s.
"⚙" flashes on the display.
2. Select required function. See the following pages.

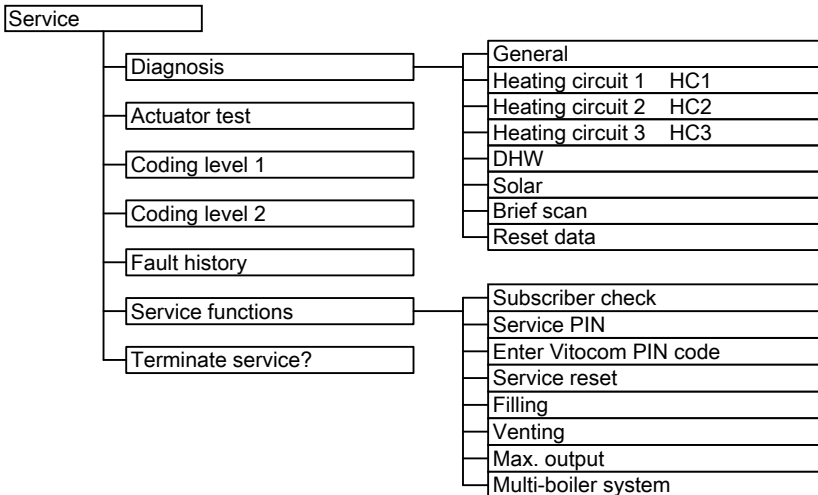
Service menu:

1. Select **"Serv" ⑦** with **▶**.
2. Confirm with **OK**.
"OFF" flashes.
3. Confirm with **OK**.

Note

The system exits the service level automatically after 30 min.

Overview of service menu for weather-compensated mode



Service level (cont.)

Note

Do **not** adjust menu item **"Multi-boiler system"**.

The menu item turns a weather-compensated control unit into a constant temperature control unit.

Diagnosis

Operating data

Weather-compensated control unit

Constant temperature control unit

Calling up operating data

- Operating data can be scanned in six areas. See **"Diagnosis"** in the service menu overview.
- Operating data on heating circuits with mixers and solar can only be called up if the components are installed in the system.
- For further information on operating data, see chapter "Brief scan".

- Operating data can be called up in the **"i"** menu.
- For further information on operating data, see chapter "Brief scan".

Calling up operating data

Service menu:

1. Press **OK** and **≡** simultaneously for approx. 4 s.
2. **"Diagnosis"**
3. Select required group, e.g. **"General"**.

Service menu:

1. Press **OK** and **≡** simultaneously for approx. 4 s.
2. Select required information with **▲/▼**.

Note

"- - -" appears on the display if a sensor that has been scanned is faulty.

Note

"- - -" appears on the display if a sensor that has been scanned is faulty.



Diagnosis (cont.)


Weather-compensated control unit

Resetting operating data

Saved operating data (e.g. hours run) can be reset to "0".

The value "Adjusted outside temp" is reset to the actual value.




Service menu:

1. Press **OK** and  simultaneously for approx. 4 s.
2. **"Diagnosis"**
3. **"Reset data"**
4. Select required value (e.g. **"Burner starts"**) or **"All details"**.

Constant temperature control unit

Saved operating data (e.g. hours run) can be reset to "0".

Service menu:


1. Press **OK** and  simultaneously for approx. 4 s.
2. Select required information with /.
3. Confirm with **OK**; "H" flashes.
4. Confirm with **OK**; the value is reset.

Brief scan


In the brief scan, you can scan temperatures, software versions and connected components, for example.

Brief scan for weather-compensated control units

Service menu:

1. Press **OK** and  simultaneously for approx. 4 s.
2. **"Diagnosis"**
3. **"Brief scan"**.
4. Press **OK**.

The display shows 9 lines with 6 fields each.

Diagnosis brief scan					
1:	1	F	0	A	1 2
2:	0	0	0	0	0 0
3:	0	0	0	0	0 0
4:	0	0	0	0	0 0
Select with					

Diagnosis (cont.)

For an explanation of the relevant values in the individual lines and fields, see the following table:

Line (brief scan)	Field					
	1	2	3	4	5	6
1:	System schemes 01 to 10		Software version Control unit		Software version Programming unit	
2:	0	0	Device version		Device identification ZE-ID	
3:	0	0	Number of KM BUS subscribers		Software version, solar control module SM1	
4:	Software version Burner control unit		Type Burner control unit		Burner control unit version	
5:	Internal details for calibration				Software version, extension AM1	Software version, extension EA1
6:	0	0	0	Switching state of flow switch (only for combi boilers) 0: OFF 1: Active	0	0
7:	LON Subnet address/system number		LON Node address		0	0
8:	LON SBVT configuration	LON Software version communication coprocessor	LON Neuron chip software version		Number of LON subscribers	



Diagnosis (cont.)



Line (brief scan)	Field					
	1	2	3	4	5	6
9:	Heating circuit A1/ HC1 Remote control 0: Without 1: Vitotrol 200A/ 200 RF 2: Vitotrol 300A/ 300 RF or Vitocomfort		Heating circuit M2/ HC2 Remote control 0: Without 1: Vitotrol 200A/ 200 RF 2: Vitotrol 300A/ 300 RF or Vitocomfort		Heating circuit M3/ HC3 Remote control 0: Without 1: Vitotrol 200A/ 200 RF 2: Vitotrol 300A/ 300 RF or Vitocomfort	
10: (only for KM BUS circulation pumps)	Heating circuit pump, heating circuit A1/HC1 Variable speed pump 0: Without 1: Wilo 2: Grundfos 3: Ascoli		Heating circuit pump, heating circuit M2/HC2 Variable speed pump 0: Without 1: Wilo 2: Grundfos 3: Ascoli		Heating circuit pump, heating circuit M3/ HC3 Variable speed pump 0: Without 1: Wilo 2: Grundfos 3: Ascoli	
11:	0	0	Software version Mixer extension heating circuit M2 0: No mixer extension	0	Software version Mixer extension heating circuit M3 0: No mixer extension	0

Diagnosis (cont.)







Brief scan for constant temperature control units

Service menu:

1. Press **OK** and  simultaneously for approx. 4 s.

2. Confirm with **OK**.
3. Select the required scan with /. For example, "**A**" for "Max. output" (see following table):
4. Confirm selected scan with **OK**.

For explanations of individual scans, see the following table:

Brief scan	Display				
					
0		System scheme	Software version Control unit		Software version Programming unit
1			Adjusted outside temperature		
3			Set boiler water temperature		
4			Common demand temperature		
5			Set cylinder temperature		
6		Number of KM BUS subscribers	Number of LON subscribers		
7	SNVT configuration 0: Auto 1: Tool	Software version Communication coprocessor	Software version LON module		
8		Subnet address/system number	Node address		
9		Burner control unit type	Device type		
A	Diverter valve status 1: Heating 2: Central position 3: DHW heating	Flow switch status 0: OFF 1: Active	Max. heating output in %		
b		Boiler coding card (hexadecimal)			
C		Version Device	Version Burner control unit		



Diagnosis (cont.)

Brief scan	Display				
0	0	0	0	0	0
d				Variable speed pump 1: Wilo 2: Grundfos 3: Ascoli	Software version Variable speed pump 0: No variable speed pump
E ①	Software version Solar control module, type SM1	Software version Burner control unit			
F ①	Code 53 setting	Internal details for calibration			
Extension AM1					
F ②	Software version	Output A1 configuration (value corresponds to code 33 setting)	Output A1 switching state 0: OFF 1: ON	Output A2 configuration (value corresponds to code 34 setting)	Output A2 switching state 0: OFF 1: ON
Extension EA1					
F ③	Output 157 configuration (value corresponds to setting of code 36 in group 1 "General")	Output 157 switching state 0: OFF 1: ON	Input DE1 switching state 0: Open 1: Closed	Input DE2 switching state 0: Open 1: Closed	Input DE3 switching state 0: Open 1: Closed
F ④	Software version		External hook-up 0 - 10 V Display in %		

Diagnosis (cont.)

Brief scan	Display				
Solar control module SM1					
F ⑤	Stagnation time of the solar thermal system in h				
F ⑥	Night circulation, solar thermal system (number)				
F ⑦	Monitoring of differential temperature, solar thermal system				
F ⑧				Reheating suppression 0: Disabled 1: Active	Output 22 switching state 0: OFF 1: ON
OpenTherm extension (if installed)					
F ⑨	Software version	DHW heating status	External hook-up 0 - 10 V Display in %		

Checking outputs (actuator test)

Weather-compensated control unit

1. Press **OK** and simultaneously for approx. 4 s.
2. "Actuator test"





The following relay outputs can be controlled subject to system design:

Display	Explanation	
All actuators	OFF	All actuators are off
Base load	ON	Burner operates at minimum output; internal pump starts
Full load	ON	Burner operates at maximum output; internal pump starts
Output, internal	ON	Internal output [20] (int. pump) active
Valve	Heat- ing	Diverter valve set to heating mode
Valve	Centre	Diverter valve in central position (filling/draining)
Valve	DHW	Diverter valve set to DHW mode

Checking outputs (actuator test) (cont.)

Display		Explanation
Htg circ pump HC2	ON	Heating circuit pump output active (extension to heating circuit with mixer)
Mixer HC2	Open	"Mixer open" output active (extension to heating circuit with mixer)
Mixer HC2	Close	"Mixer close" output active (extension to heating circuit with mixer)
Htg circ pump HC3	ON	Heating circuit pump output active (extension to heating circuit with mixer)
Mixer HC3	Open	"Mixer open" output active (extension to heating circuit with mixer)
Mixer HC3	Close	"Mixer close" output active (extension to heating circuit with mixer)
Outp. int. exten. H1	ON	Output at internal extension active
AM1 output 1	ON	Output A1 at extension AM1 active
AM1 output 2	ON	Output A2 at extension AM1 active
EA1 output 1	ON	Contact P - S at plug [157] of extension EA1 closed
Solar circuit pump	ON	Solar circuit pump output [24] on solar control module SM1 active
Solar circ pmp min	ON	Solar circuit pump output on solar control module SM1 switched to minimum speed
Solar circ pmp max	ON	Solar circuit pump output on solar control module SM1 switched to maximum speed
SM1 output 22	ON	Output [22] on solar control module SM1 active

Constant temperature control unit

- Press **OK** and  simultaneously for approx. 4 s.
"🌀" flashes on the display.
- Select "🌀" with  and confirm with **OK**.
- Select required actuator (output) with / (see following table):
- Confirm selected actuator with **OK**.
The display shows the number for the activated actuator and "**ON**".

The following actuators (relay outputs) can be controlled subject to system design:

Display	Explanation
0	All actuators are off
1	Burner operates at minimum output; internal pump starts
2	Burner operates at maximum output; internal pump starts
3	Internal output [20] (int. pump) is active

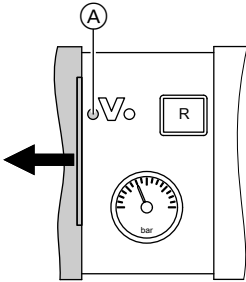
Checking outputs (actuator test) (cont.)

Display	Explanation
4	Diverter valve set to heating mode
5	Diverter valve in central position (filling/draining)
6	Diverter valve set to DHW mode
10	Internal extension output active
15	Solar circuit pump output 24 on solar control module SM1 active
16	Solar circuit pump output on solar control module SM1 switched to minimum speed
17	Solar circuit pump output on solar control module SM1 switched to maximum speed
18	Output 22 on solar control module SM1 active
19	Contact P - S at plug 157 of extension EA1 closed
20	Output A1 at extension AM1 active
21	Output A2 at extension AM1 active

Fault display

Weather-compensated control unit

In the event of a fault, red fault indicator (A) flashes. "△" flashes on the display and "Fault" is shown.



The fault code is displayed with **OK**. For an explanation of the fault code, see the following pages. For some faults, the type of fault is also displayed in plain text.

Acknowledging a fault

Follow the instructions on the display.

Note

- The fault message is transferred to the standard menu.
- Any fault message facility, if connected, will be switched off.
- If an acknowledged fault is not remedied, the fault message will be re-displayed the following day and the fault message facility restarted.

Calling up acknowledged faults

Select "**Fault**" in the standard menu. The current faults will be displayed in a list.

Calling up fault codes from the fault memory (fault history)

The 10 most recent faults (including resolved ones) are saved and can be scanned. Faults are sorted by date.

1. Press **OK** and **≡** simultaneously for approx. 4 s.
2. "**Fault history**"
3. "**Display?**"

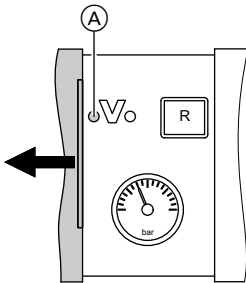
Deleting fault history

1. Press **OK** and **≡** simultaneously for approx. 4 s.
2. "**Fault history**"
3. "**Delete?**"

Fault display (cont.)

Constant temperature control unit

In the event of a fault, red fault indicator (A) flashes. The two-digit fault code and (subject to the type of fault) "△" or "✚" flash on the programming unit display.



Other current faults can be displayed with ▲/▼. For an explanation of the fault codes, see the following pages.



Example: Fault code "50"

Acknowledge a fault

Press **OK**; the standard display is shown again.

A fault message facility, if connected, will be switched OFF.

If an acknowledged fault is not remedied, the fault message will be re-displayed the following day and the fault message facility restarted.

Calling up acknowledged faults

Press **OK** for approx. 4 s.

The 10 most recent faults (including resolved ones) are saved and can be called up.

Calling up fault codes from the fault memory (fault history)

The 10 most recent faults (including those remedied) are saved and can be called up.


Faults are sorted by date.

1. Press **OK** and **≡** simultaneously for approx. 4 s.
2. Select "△" and activate fault history with **OK**.
3. Select fault messages with ▲/▼.

Deleting fault history

While the list is displayed, press **OK** until ✚ flashes. Confirm with **OK**.

Fault codes

Dis-played fault code	Const.	Weath.-comp.	System char-acteristics	Cause	Measures
10	X	X	Controls as if the outside temperature were 0 °C	Short circuit, outside temperature sensor	Check outside temperature sensor (see page 129)
18	X	X	Controls as if the outside temperature were 0 °C	Lead break, outside temperature sensor	Check outside temperature sensor (see page 129)
19	X	X	Controls as if the outside temperature were 0 °C	Communication interruption with wireless outside temperature sensor	<p>Check wireless connection (place wireless outside temperature sensor close to the wireless base station). Log off outside temperature sensor then log on again.</p> <p> Wireless base station installation and service instructions</p> <p>Replace wireless outside temperature sensor.</p>
20	X	X	Regulates with-out flow temperature sensor (low loss header)	Short circuit, flow temperature sensor	Check low loss header sensor (see page 130)

Fault codes (cont.)

Dis- played fault code	Const.	Weath.- comp.	System char- acteristics	Cause	Measures
28	X	X	Regulates with- out flow tem- perature sen- sor (low loss header)	Lead break, flow tempera- ture sensor	Check low loss header sensor (see page 130) If no low loss head- er sensor is con- nected, set code 52:0.
30	X	X	Burner blocked	Short circuit, boiler water temperature sensor	Check the boiler water temperature sensor (see page 130)
38	X	X	Burner blocked	Lead break, boiler water temperature sensor	Check the boiler water temperature sensor (see page 130)
40		X	Mixer closes	Short circuit, flow tempera- ture sensor, heating circuit 2 (with mixer)	Check flow temper- ature sensor (see page 138)
44		X	Mixer closes	Short circuit, flow tempera- ture sensor, heating circuit 3 (with mixer)	Check flow temper- ature sensor (see page 138)
48		X	Mixer closes	Lead break, flow tempera- ture sensor, heating circuit 2 (with mixer)	Check flow temper- ature sensor (see page 138)
4C		X	Mixer closes	Lead break, flow tempera- ture sensor, heating circuit 3 (with mixer)	Check flow temper- ature sensor (see page 138)



Fault codes (cont.)

Dis-played fault code	Const.	Weath.-comp.	System characteristics	Cause	Measures
50	X	X	Only type B2HA: No DHW heating by the boiler	Short circuit in the cylinder temperature sensor or comfort sensor	Check cylinder temperature sensor (see page 130) or comfort sensor (see page 132)
51	X	X	No DHW heating by the boiler	Short circuit, outlet temperature sensor	Check sensor (see page 132)
58	X	X	Only type B2HA: No DHW heating by the boiler	Lead break, cylinder temperature sensor or comfort sensor	Check cylinder temperature sensor (see page 130) or comfort sensor (see page 132)
59	X	X	No DHW heating by the boiler	Lead break, outlet temperature sensor	Check sensor (see page 132)
90	X	X	Control mode	Short circuit, temperature sensor 7	Check sensor 7 on solar control module.
91	X	X	Control mode	Short circuit, temperature sensor 10	Check sensor 10 on solar control module.
92	X	X	No solar DHW heating	Short circuit, collector temperature sensor	Check temperature sensor 6 on the solar control module or sensor on the Vitosolic.
93	X	X	Control mode	Short circuit, cylinder temperature sensor	Check temperature sensor at connection S3 on the Vitosolic 100.
94	X	X	No solar DHW heating	Short circuit, cylinder temperature sensor	Check temperature sensor 5 on solar control module or sensor on the Vitosolic.

Fault codes (cont.)

Dis- played fault code	Const.	Weath.- comp.	System char- acteristics	Cause	Measures
98	X	X	Control mode	Lead break, temperature sensor 7	Check sensor 7 on solar control module.
99	X	X	Control mode	Lead break, temperature sensor 10	Check sensor 10 on the solar control module.
9A	X	X	No solar DHW heating	Lead break, collector temperature sensor	Check temperature sensor 6 on the solar control module or sensor on the Vitosolic.
9b	X	X	Control mode	Lead break, temperature sensor	Check temperature sensor at connection S3 on the Vitosolic 100.
9C	X	X	No solar DHW heating	Lead break, cylinder temperature sensor	Check temperature sensor 5 on solar control module or sensor on the Vitosolic.
9E	X	X	Control mode	No flow rate in collector circuit or flow rate too low, or temperature limiter has responded	Check solar circuit pump and solar circuit. Acknowledge fault message.
9F	X	X	Control mode	Solar control module or Vitosolic fault	Replace solar control module or Vitosolic
A3		X	Burner blocked	Flue gas temperature sensor not positioned correctly.	Install flue gas temperature sensor correctly (see page 134).



Fault codes (cont.)

Dis- played fault code	Const.	Weath.- comp.	System char- acteristics	Cause	Measures
A7		X	Control mode as per delivered condition	Programming unit faulty	Replace programming unit
b0	X	X	Burner blocked	Short circuit, flue gas temperature sensor	Check flue gas temperature sensor
b1	X	X	Control mode as per delivered condition	Communication fault, programming unit	Check connections and replace programming unit if required
b5	X	X	Control mode as per delivered condition	Internal fault	Replace the control unit
b7	X	X	Burner blocked	Boiler coding card faulty	Plug in boiler coding card or replace if faulty
b8	X	X	Burner blocked	Lead break, flue gas temperature sensor	Check flue gas temperature sensor
bA		X	Mixer regulates to 20 °C flow temperature.	Communication error, extension kit for heating circuit 2 (with mixer)	Check extension kit connections and code.
bb		X	Mixer regulates to 20 °C flow temperature.	Communication error, extension kit for heating circuit 3 (with mixer)	Check extension kit connections and code.

Fault codes (cont.)

Dis- played fault code	Const.	Weath.- comp.	System char- acteristics	Cause	Measures
bC		X	Control mode without remote control	Communica- tion error, re- mote control Vitolrol heating circuit 1 (without mixer)	Check connec- tions, cable, coding address "A0" in group " Heating circuit " and re- mote control set- ting (see page 156). For wireless re- mote controls: Check connec- tions, place remote control unit close to the boiler.
bd		X	Control mode without remote control	Communica- tion error, re- mote control Vitolrol heating circuit 2 (with mixer)	Check connec- tions, cable, coding address "A0" in group " Heating circuit " and re- mote control set- ting (see page 156). For wireless re- mote controls: Check connec- tions, place remote control unit close to the boiler.



Fault codes (cont.)

Dis- played fault code	Const.	Weath.- comp.	System char- acteristics	Cause	Measures
bE		X	Control mode without remote control	Communica- tion error, re- mote control Vitolrol heating circuit 3 (with mixer)	Check connec- tions, cable, coding address "A0" in group " Heating circuit " and re- mote control set- ting (see page 156). For wireless re- mote controls: Check connec- tions, place remote control unit close to the boiler.
bF		X	Control mode	Incorrect LON commu- nication mod- ule	Replace LON com- munication module
C1	X	X	Control mode	Communica- tion fault, ex- tension EA1	Check connec- tions
C2	X	X	Control mode	Communica- tion error, so- lar control module or Vitosolic	Check solar control module or Vitosolic
C3	X	X	Control mode	Communica- tion fault, ex- tension AM1	Check connec- tions
C4	X	X	Control mode	Communica- tion fault, OpenTherm extension	Check OpenTherm extension

Fault codes (cont.)

Dis- played fault code	Const.	Weath.- comp.	System char- acteristics	Cause	Measures
C5	X	X	Control mode, max. pump speed	Communica- tion error, var- iable speed internal pump	Check setting of coding address "30" in group " Boiler " (weather-compensated control units) or group 2 (constant temperature control units)
C6		X	Control mode, max. pump speed	Communica- tion error, ex- ternal varia- ble speed heating circuit pump, heating circuit 2 (with mixer)	Check coding ad- dress setting "E5" in group " Heating circuit "
C7	X	X	Control mode, max. pump speed	Communica- tion error, ex- ternal varia- ble speed heating circuit pump, heating circuit 1 (without mixer)	Check coding ad- dress setting "E5" in group " Heating circuit "
C8		X	Control mode, max. pump speed	Communica- tion error, ex- ternal varia- ble speed heating circuit pump, heating circuit 3 (with mixer)	Check coding ad- dress setting "E5" in group " Heating circuit "



Fault codes (cont.)

Dis- played fault code	Const.	Weath.- comp.	System char- acteristics	Cause	Measures
Cd	X	X	Control mode	Communica- tion error Vitocom 100, type GSM (KM BUS)	Check connections for Vitocom 100, type GSM and cod- ing address "95" in group "General" (weather-compen- sated control units) or group 1 (con- stant temperature control units)
CF		X	Control mode	Communica- tion fault, LON commu- nication mod- ule	Replace LON com- munication module
d6	X	X	Control mode	Input DE1 at extension EA1 reports a fault	Remove fault at appliance con- cerned
d7	X	X	Control mode	Input DE2 at extension EA1 reports a fault	Remove fault at appliance con- cerned
d8	X	X	Control mode	Input DE3 fault at exten- sion EA1	Remove fault at appliance con- cerned
dA		X	Control mode without room influence	Short circuit, room temper- ature sensor, heating circuit 1 (without mixer)	Check room tem- perature sensor, heating circuit 1
db		X	Control mode without room influence	Short circuit, room temper- ature sensor, heating circuit 2 (with mixer)	Check room tem- perature sensor, heating circuit 2

Fault codes (cont.)

Dis- played fault code	Const.	Weath.- comp.	System char- acteristics	Cause	Measures
dC		X	Control mode without room influence	Short circuit, room temper- ature sensor, heating circuit 3 (with mixer)	Check room tem- perature sensor, heating circuit 3
dd		X	Control mode without room influence	Lead break, room temper- ature sensor, heating circuit 1 (without mixer)	Check room tem- perature sensor, heating circuit 1 and remote control settings (see page 156)
dE		X	Control mode without room influence	Lead break, room temper- ature sensor, heating circuit 2 (with mixer)	Check room tem- perature sensor, heating circuit 2 and remote control settings (see page 156)
dF		X	Control mode without room influence	Lead break, room temper- ature sensor, heating circuit 3 (with mixer)	Check room tem- perature sensor, heating circuit 3 and remote control settings (see page 156)
E0		X	Control mode	Fault, exter- nal LON sub- scriber	Check connections and LON subscri- bers



Fault codes (cont.)

Dis-played fault code	Const.	Weath.-comp.	System characteristics	Cause	Measures
E1	X	X	Burner in a fault state	Ionisation current too high during calibration	Check gap between ionisation electrode and burner gauze assembly (see page 42). In open flue operation, prevent high incidence of dust in the combustion air. Press reset button R .
E3	X	X	Burner in a fault state	Heat transfer too low during calibration. Temperature limiter caused shutdown.	Ensure adequate heat transfer. Press reset button R .
E4	X	X	Burner blocked	24 V power supply fault	Replace control unit.
E5	X	X	Burner blocked	Fault, flame amplifier	Replace control unit.

Fault codes (cont.)

Dis- played fault code	Const.	Weath.- comp.	System char- acteristics	Cause	Measures
E7	X	X	Burner in a fault state	Ionisation current too low during calibration	<p>Check ionisation electrode:</p> <ul style="list-style-type: none"> ■ Distance to burner gauze assembly (see page 42) ■ Contamination of electrode ■ Connecting lead and plug-in connections <p>Check flue system; remedy flue gas recirculation if required. Press reset button R.</p>
E8	X	X	Burner in a fault state	The ionisation current lies outside the permissible range	<p>Check gas supply (gas pressure and gas flow switch), gas train and connecting lead. Check allocation of gas type (see page 35).</p> <p>Check ionisation electrode:</p> <ul style="list-style-type: none"> ■ Distance to burner gauze assembly (see page 42) ■ Contamination of electrode <p>Press reset button R.</p>

Fault codes (cont.)

Dis-played fault code	Const.	Weath.-comp.	System char-acteristics	Cause	Measures
EA	X	X	Burner in a fault state	Ionisation current outside permissible range during calibration (deviation from previous level too great)	Check flue system; remedy flue gas recirculation if required. In open flue operation, prevent high incidence of dust in the combustion air. Press reset button R . Following several unsuccessful reset attempts, replace boiler coding card and press reset button R .
Eb	X	X	Burner in a fault state	Repeated flame loss during calibration	Check gap between ionisation electrode and burner gauze assembly (see page 42). Check allocation of gas type (see page 35). Check flue system; remedy flue gas recirculation if required. Press reset button R .
EC	X	X	Burner in a fault state	Parameter fault during calibration	Press reset button R or Replace boiler coding card and press reset button R .

Fault codes (cont.)

Dis- played fault code	Const.	Weath.- comp.	System char- acteristics	Cause	Measures
Ed	X	X	Burner in a fault state	Internal fault	Replace control unit.
EE	X	X	Burner in a fault state	Flame signal is not present or too weak at burner start.	<p>Check gas supply (gas pressure and gas flow switch). Check gas train. Check ionisation electrode and connecting cable.</p> <p>Check ignition:</p> <ul style="list-style-type: none"> ■ Connecting leads to ignition module and ignition electrode ■ Ignition electrode gap and contamination (see page 42). <p>Check condensate drain. Press reset button R.</p>



Fault codes (cont.)

Dis-played fault code	Const.	Weath.-comp.	System characteristics	Cause	Measures
EF	X	X	Burner in a fault state	Flame is lost immediately after it has formed (during the safety time).	<p>Check gas supply (gas pressure and gas flow switch). Check balanced flue system for flue gas recirculation.</p> <p>Check ionisation electrode (replace if required):</p> <ul style="list-style-type: none"> ■ Distance to burner gauze assembly (see page 42) ■ Contamination of electrode <p>Press reset button R.</p>
F0	X	X	Burner blocked	Internal fault	Replace control unit.
F1	X	X	Burner in a fault state	Flue gas temperature limiter has responded.	<p>Check heating system fill level. Vent the system.</p> <p>Press reset button R after flue system has cooled down.</p>
F2	X	X	Burner in a fault state	Temperature limiter has responded.	<p>Check heating system fill level. Check circulation pump. Vent the system.</p> <p>Check temperature limiter and connecting cables.</p> <p>Press reset button R.</p>

Fault codes (cont.)

Dis- played fault code	Const.	Weath.- comp.	System char- acteristics	Cause	Measures
F3	X	X	Burner in a fault state	Flame signal is already present at burner start.	Check ionisation electrode and connecting cable. Press reset button R .
F8	X	X	Burner in a fault state	Fuel valve closes too late.	Check gas train. Check both control paths. Press reset button R .
F9	X	X	Burner in a fault state	Fan speed too low during burner start	Check fan, fan connecting cables and power supply; check fan control. Press reset button R .
FA	X	X	Burner in a fault state	Fan not in idle state	Check fan, fan connecting cables and fan control. Press reset button R .
FC	X	X	Burner in a fault state	Gas train faulty, faulty modulation valve control or flue gas path blocked	Check gas train. Check flue system. Press reset button R .
Fd	X	X	Burner in a fault state and fault message b7 is displayed	Boiler coding card is missing	Insert the boiler coding card. Press reset button R . Replace control unit if fault persists.

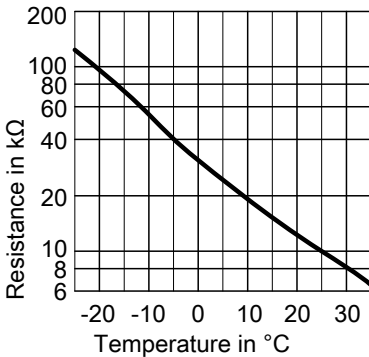
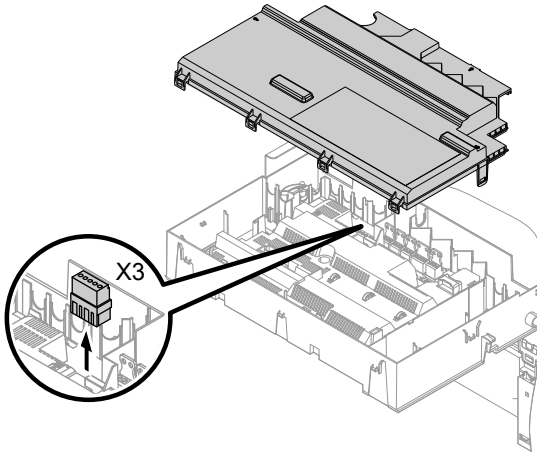


Fault codes (cont.)

Dis-played fault code	Const.	Weath.-comp.	System char-acteristics	Cause	Measures
Fd	X	X	Burner in a fault state	Fault, burner control unit	Check ignition electrodes and connecting cables. Check whether a strong interference (EMC) field exists near the appliance. Press reset button R . Replace control unit if fault persists.
FE	X	X	Burner blocked or in a fault state	Boiler coding card or main PCB faulty, or incorrect boiler coding card	Press reset button R . If the fault persists, check the boiler coding card and replace boiler coding card or control unit if necessary.
FF	X	X	Burner blocked or in a fault state	Internal fault or reset button R blocked	Start the appliance again. Replace the control unit if the appliance will not restart.

Repairs

Checking the outside temperature sensor



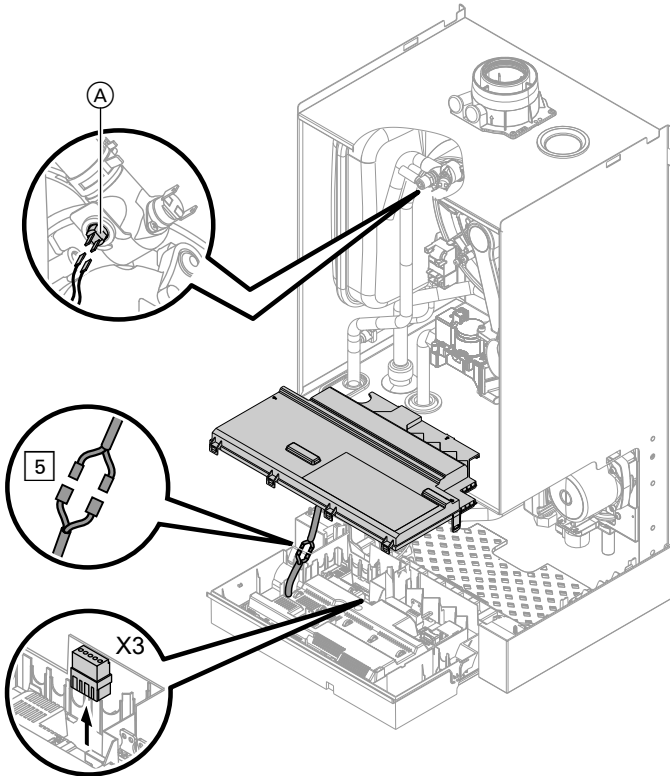
Sensor type: NTC 10 kΩ

1. Pull plug "X3" from the control unit.

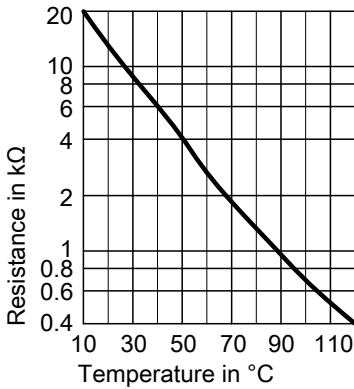
2. Test the resistance of the outside temperature sensor across terminals "X3.1" and "X3.2" on the disconnected plug and compare it with the curve.
3. Where actual values deviate severely from the curve values, disconnect the wires at the sensor and repeat the test on the sensor itself.
4. Depending on the result, replace the lead or the outside temperature sensor.

Repairs (cont.)

Checking the boiler temperature sensor, cylinder temperature sensor or low loss header flow temperature sensor



Repairs (cont.)



2. Check the sensor resistance and compare it with the curve.
3. Replace the sensor in the case of severe deviation.



Danger

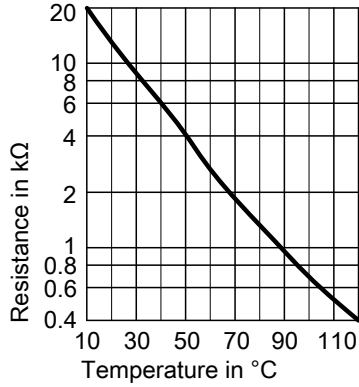
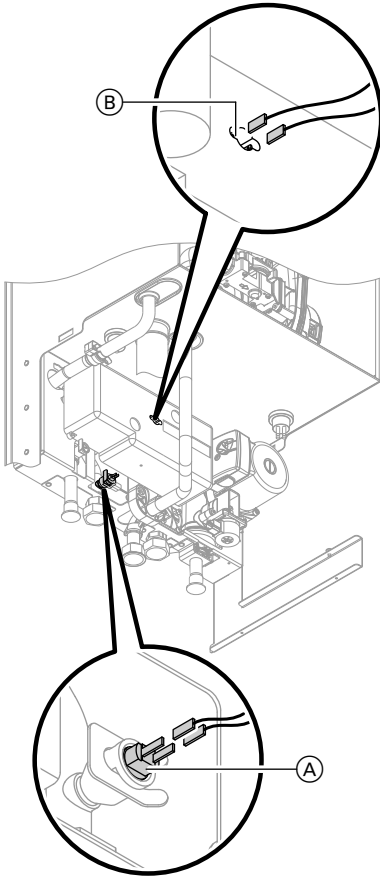
The boiler water temperature sensor is immersed in the heating water (risk of scalding). Drain the boiler on the heating water side before replacing the sensor.

Sensor type: NTC 10 kΩ

1. ■ **Boiler water temperature sensor**
Pull the leads from boiler water temperature sensor (A) and check the resistance.
- **Cylinder temperature sensor**
Pull plug [5] from the cable harness at the control unit and check the resistance.
- **Low loss header flow temperature sensor**
Pull plug "X3" from the control unit and check the resistance across terminals "X3.4" and "X3.5".

Repairs (cont.)

Checking the outlet temperature sensor or comfort sensor (combi boilers only)



Sensor type: NTC 10 kΩ

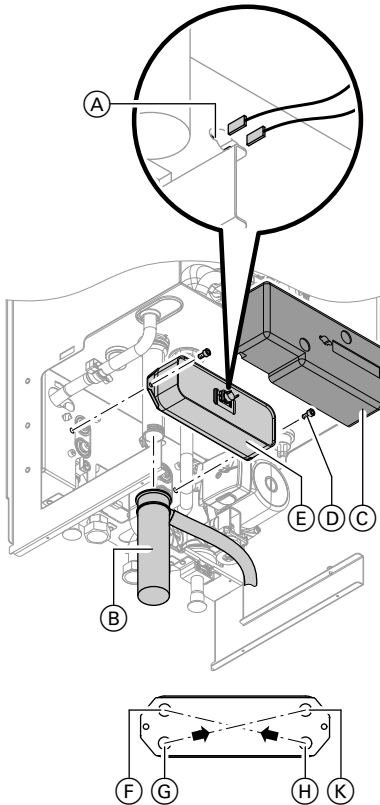
1. Disconnect the leads from outlet temperature sensor (A) or comfort sensor (B).
2. Check the sensor resistance and compare it with the curve.
3. Replace the sensor in the case of severe deviation.

Note

Water can leak when replacing the outlet temperature sensor. Close the cold water shut-off valve. Drain the DHW line and the plate heat exchanger (DHW side).

Repairs (cont.)

Checking the plate heat exchanger



- (F) Heating return
- (G) Cold water
- (H) Heating flow
- (K) DHW


1. Shut off and drain the boiler on the heating water and DHW sides.
2. Release the side closures and pivot the control unit forward.
3. Disconnect leads from comfort sensor (A).
4. Remove the retaining clip and siphon (B).
5. Remove thermal insulation (C).
6. Undo screws (D) and remove plate heat exchanger (E) through the front.

Note

During disassembly and once removed, small amounts of water may escape from the plate heat exchanger.

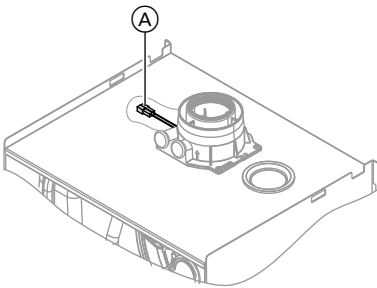
7. Check the connections on the DHW side for scaling, and if required clean or replace the plate heat exchanger.
8. Check the connections on the heating water side for contamination, and if required clean or replace the plate heat exchanger.
9. Install in reverse order using new gaskets.

Repairs (cont.)

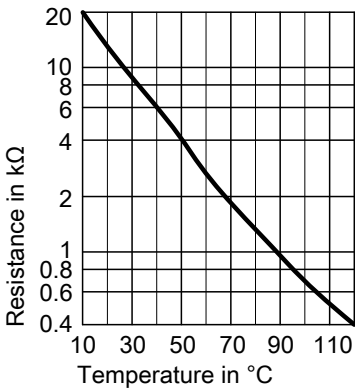
10.  **Danger**
Escaping gas leads to a risk of explosion.
Check all gas equipment for tightness.

Checking the flue gas temperature sensor

The flue gas temperature sensor locks out the boiler when the permissible flue gas temperature is exceeded. Reset the interlock after the flue system has cooled down by pressing reset button **R**.



1. Pull leads from flue gas temperature sensor (A).
2. Check the sensor resistance and compare it with the curve.
3. Replace the sensor in the case of severe deviation.



Sensor type: NTC 10 kΩ

Repairs (cont.)

Fault "A3" during commissioning

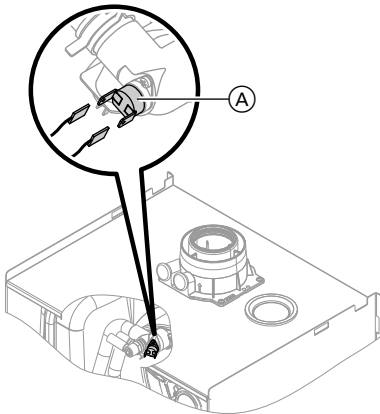
During commissioning, the control unit checks whether the flue gas temperature sensor is correctly positioned.

If the flue gas temperature sensor is not positioned correctly, commissioning is cancelled and fault message A3 is displayed.

1. Check whether the flue gas temperature sensor is correctly inserted.
See previous diagram.
2. If necessary, correct the position of the flue gas temperature sensor or replace faulty flue gas temperature sensor.
3. Press reset button **R** and repeat commissioning.
The check is repeated until it is completed successfully.

Checking the temperature limiter

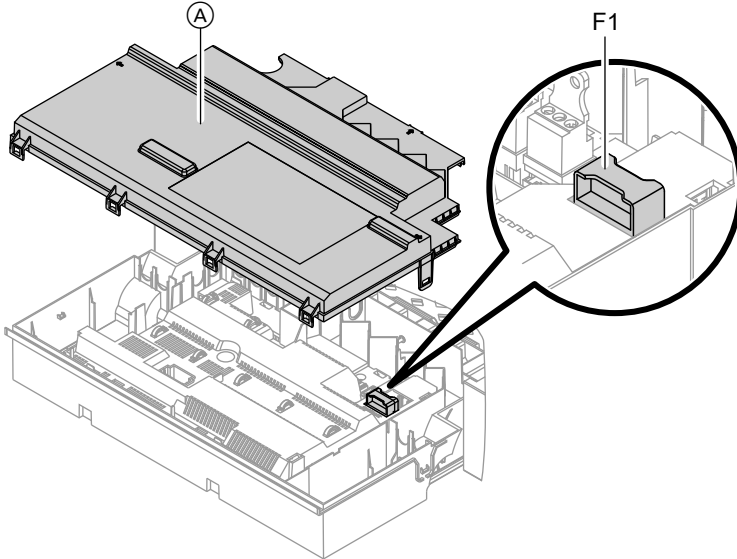
If the burner control unit cannot be reset after a fault shutdown, although the boiler water temperature is below approx. 75 °C, check the following:



1. Pull the leads from temperature limiter (A).
2. Check the continuity of the temperature limiter with a multimeter.
3. Remove the faulty temperature limiter.
4. Coat the replacement temperature limiter with heat conducting paste and install it.
5. After commissioning, press reset button **R** on the control unit.

Repairs (cont.)

Checking the fuse





1. Switch off the power.
2. Release the side closures and pivot the control unit down.
3. Remove cover (A).
4. Check fuse F1 (see connection and wiring diagram).

Extension kit for heating circuit with mixer

Checking the setting of rotary selector S1

The rotary selector on the PCB of the extension kit defines the assignment to the relevant heating circuit.

Heating circuit	Rotary selector S1 setting
Heating circuit with mixer M2 (heating circuit 2)	2 
Heating circuit with mixer M3 (heating circuit 3)	4 

Repairs (cont.)

Checking the rotational direction of the mixer motor

After being switched on, the boiler implements a self-test. During this, the mixer is opened and closed again.

Note

The mixer motor can also be set in motion via the actuator test (see chapter "Checking outputs").

Note the rotational direction of the mixer motor during its self-test. Then set the mixer manually to "Open" again.

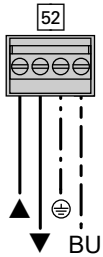
Note

The flow temperature sensor must now capture a higher temperature. If the temperature drops, either the motor is turning in the wrong direction or the mixer insert is incorrectly fitted.



Mixer installation instructions

Changing the rotational direction of the mixer motor (if required)



1. Remove the upper casing cover of the extension kit.



Danger

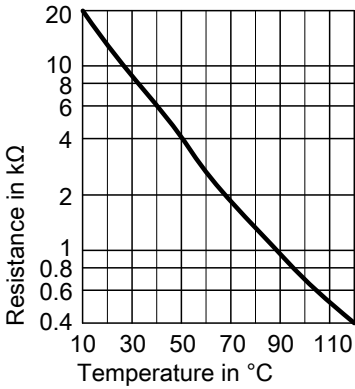
An electric shock can be life-threatening. Before opening the boiler, disconnect from the mains voltage, for example at the fuse or the mains isolator.

2. At plug **52**, swap the cores at terminals "▲" and "▼".
3. Refit the casing cover.

Repairs (cont.)

Checking flow temperature sensor

Pressure drop curve



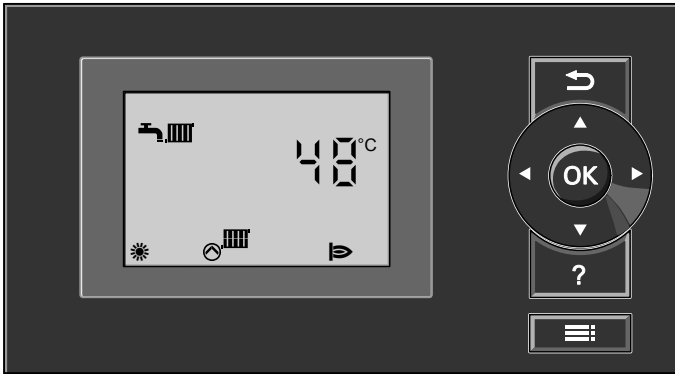
Sensor type: NTC 10 kΩ

1. Remove plug **2** (flow temperature sensor).
2. Check the sensor resistance and compare it with the curve. Replace the sensor in the case of severe deviation.

Checking the Vitotronic 200-H (accessory)

The Vitotronic 200-H is connected to the control unit via the LON cable. To test the connection, carry out a subscriber check at the boiler control unit (see page 57).

Constant temperature control unit



Heating mode

The selected set boiler water temperature will be maintained when a demand is being raised by the room thermostat and the heating program is set to DHW and central heating "☀️🔥".

The boiler water temperature will be maintained at the default frost protection temperature when there is no demand.

The electronic temperature limiter inside the burner control unit limits the boiler water temperature.

Flow temperature setting range: 20 to 74 °C.

DHW heating with gas condensing combi boiler

If the flow switch detects that DHW is being drawn off (> 3 l/min), the burner, circulation pump and 3-way valve are started or changed over. The burner modulates to reach the DHW outlet temperature and is limited on the boiler side by the temperature limiter.

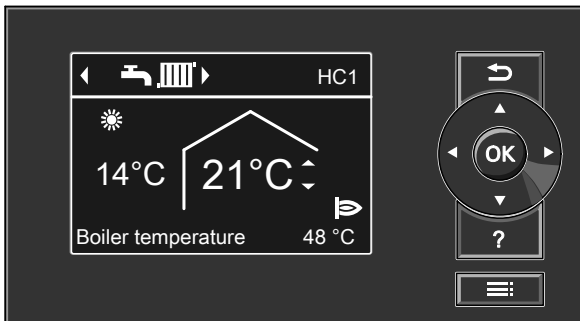
DHW heating with gas condensing boiler

The burner, the circulation pump and the 3-way valve are started or changed over if the cylinder temperature lies 2.5 K below the set cylinder temperature.

Constant temperature control unit (cont.)

In the delivered condition, the set boiler water temperature is 20 K above the set DHW temperature (adjustable via coding address "60" in group "DHW" (weather-compensated control units) or group 3 (constant temperature control units). The burner will be switched off and the circulation pump run-on time will begin, if the actual cylinder temperature exceeds the set cylinder temperature by 2.5 K.

Weather-compensated control unit



Heating mode

The control unit determines a set boiler water temperature subject to outside temperature or room temperature (if a room temperature-dependent remote control is connected) and to the slope/level of the heating curve.

The determined set boiler water temperature is transferred to the burner control unit. From the set and actual boiler water temperatures, the burner control unit calculates the modulation level and regulates the burner accordingly.

The electronic temperature limiter inside the burner control unit limits the boiler water temperature.

Weather-compensated control unit (cont.)

DHW heating with gas condensing combi boiler

If the flow switch detects that DHW is being drawn off ($> 3 \text{ l/min}$), the burner, circulation pump and 3-way valve are started or changed over. The burner modulates to reach the DHW outlet temperature and is limited on the boiler side by the temperature limiter.

DHW heating with gas condensing boiler

The burner, the circulation pump and the 3-way valve are started or changed over if the cylinder temperature lies 2.5 K below the set cylinder temperature.

In the delivered condition, the set boiler water temperature is 20 K above the set DHW temperature (adjustable via coding address "60" in group **"DHW"** (weather-compensated control units) or group 3 (constant temperature control units). The burner will be switched off and the circulation pump run-on time will begin, if the actual cylinder temperature exceeds the set cylinder temperature by 2.5 K.

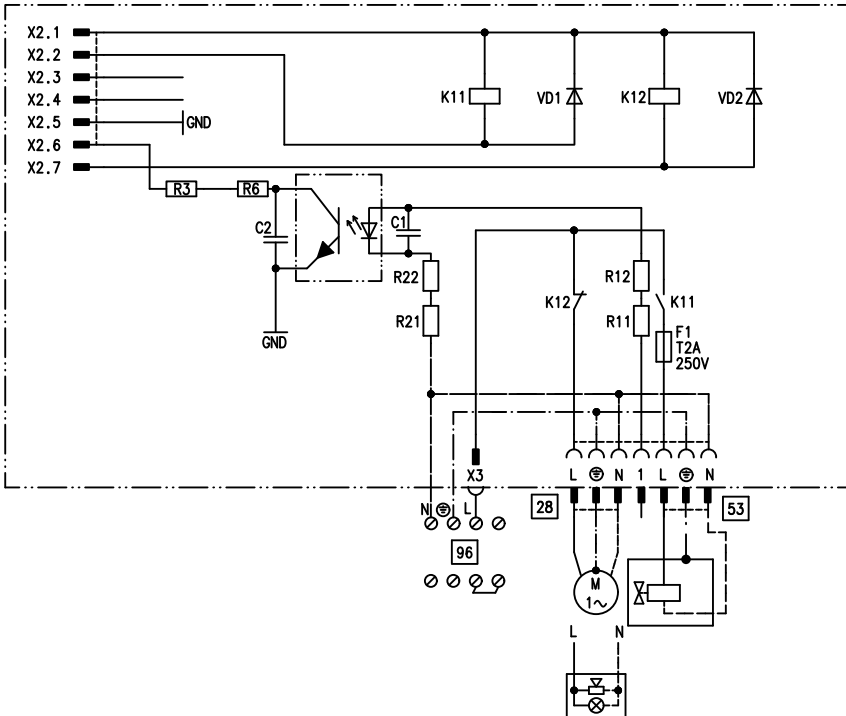
Boosting DHW heating

This function is activated by specifying a second set DHW temperature via coding address 58 in group **"DHW"** and activating the fourth DHW phase for DHW heating.

Heating is boosted during the periods selected in this time phase.

Internal extensions (accessories)

Internal extension H1



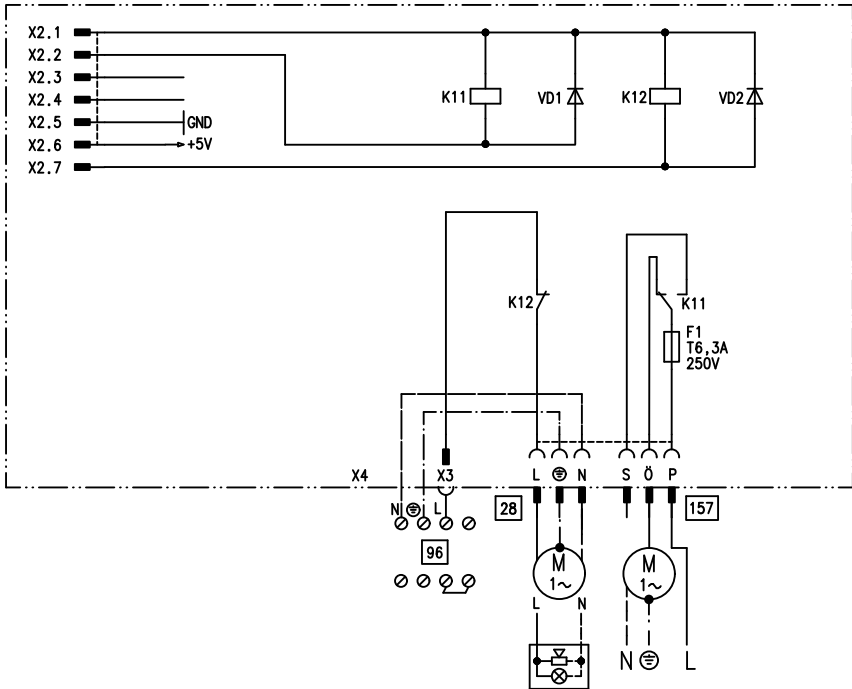
The internal extension is integrated into the control unit casing. The following alternative functions can be connected to relay output [28]. The function is assigned via coding address "53" in group **"General"**:

- Central fault message (code "53:0")
- DHW circulation pump (code "53:1") (only for weather-compensated operation)
- Heating circuit pump for heating circuit without mixer (code "53:2")
- Circulation pump for cylinder heating (code "53:3")

An external gas isolation valve can be connected to connection [53].

Internal extensions (accessories) (cont.)

Internal extension H2



The internal extension is integrated into the control unit casing. The following alternative functions can be connected to relay output **28**. The function is assigned via coding address "53" in group **"General"**:

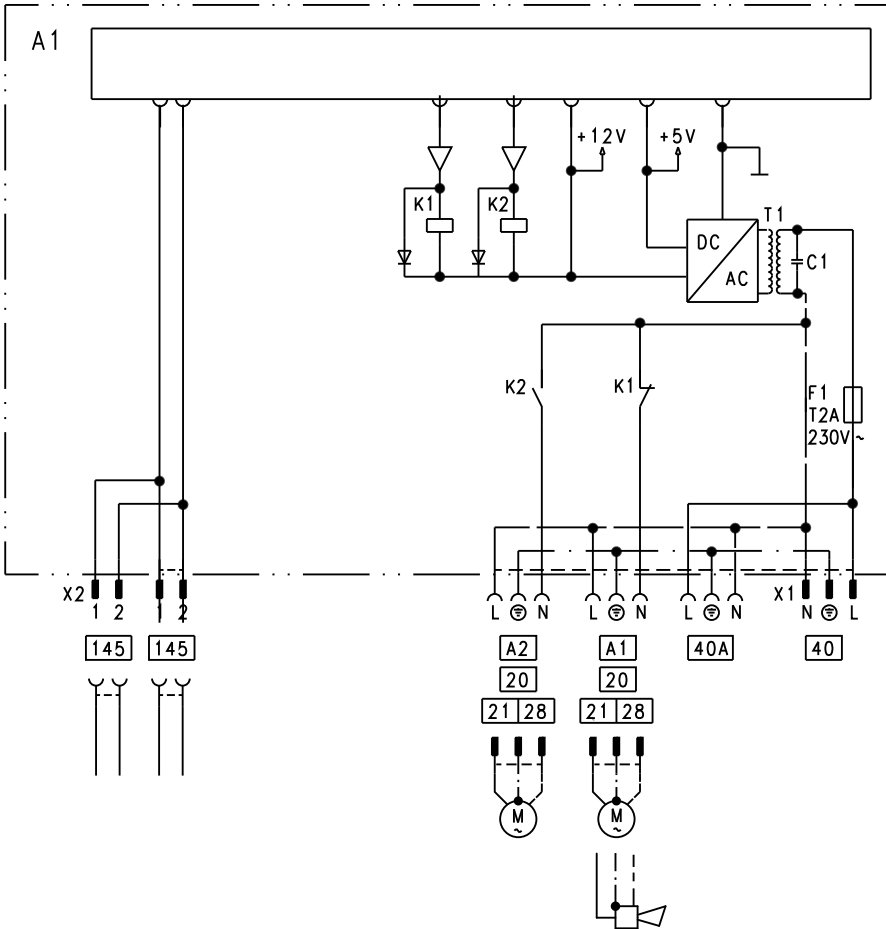
- Central fault message (code "53:0")
- DHW circulation pump (code "53:1") (only for weather-compensated operation)

- Heating circuit pump for heating circuit without mixer (code "53:2")
- Circulation pump for cylinder heating (code 53:3)

An extractor fan can be switched off via connection **157** when the burner starts.

External extensions (accessories)

Extension AM1



- A1 Circulation pump
- A2 Circulation pump
- 40 Power supply

- 40 A Power supply for additional accessories
- 145 KM BUS

External extensions (accessories) (cont.)

Functions

Select the output functions by means of the codes on the boiler control unit.

One of the following circulation pumps can be connected to each of the connections A1 and A2:

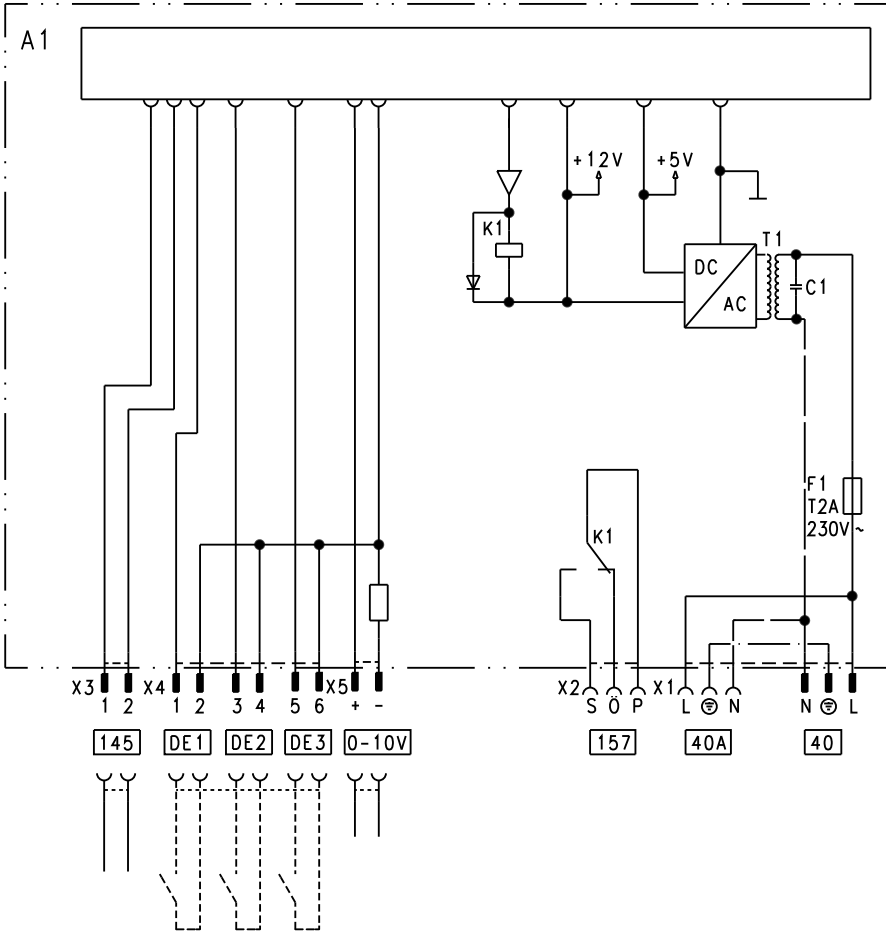
- Heating circuit pump for the heating circuit without mixer
- Circulation pump for cylinder heating
- DHW circulation pump

Function assignment

Function	Code ("General" group)	
	Output A1	Output A2
DHW circulation pump 28	33:0	34:0 (delivered condition)
Heating circuit pump 20	33:1 (delivered condition)	34:1
Circulation pump for cylinder heating 21	33:2	34:2

External extensions (accessories) (cont.)

Extension EA1



- A1 PCB
- F1 Fuse/MCB
- DE1 Digital input 1
- DE2 Digital input 2
- DE3 Digital input 3
- 0 – 10 V 0 – 10 V input
- 40 Power supply

- 40 A Power supply for additional accessories
- 157 Central fault message/feed pump/DHW circulation pump (potential-free)
- 145 KM BUS

External extensions (accessories) (cont.)

Digital data inputs DE1 to DE3

The following functions can be connected alternatively:

- External operating program changeover for each heating circuit
- External blocking
- External blocking with fault message input
- External demand with minimum boiler water temperature
- Fault message input
- Brief operation of the DHW circulation pump

External contacts must be floating. When connecting external contacts, observe the requirements of safety category II, i.e. 8.0 mm air and creep path or 2.0 mm insulation thickness to 'live' parts.

Input function assignment

Select the input functions by means of codes in the **"General"** group at the boiler control unit:

- DE1: Coding address 3A
- DE2: Coding address 3b
- DE3: Coding address 3C

Assigning the operating program changeover function to the heating circuits

Assign the operating program changeover function for the relevant heating circuit via coding address d8 in group **"Heating circuit"** at the boiler control unit:

- Changeover via input DE1: Code d8:1
- Changeover via input DE2: Code d8:2
- Changeover via input DE3: Code d8:3

The effect of the operating program changeover is selected via coding address d5 in the **"Heating circuit"** group.

The duration of the changeover is set via coding address F2 in the **"Heating circuit"** group.

Effect of the external blocking function on the pumps

The effect on the internal circulation pump is selected in coding address 3E in the **"General"** group.

The effect on the respective heating circuit pump is selected in coding address d6 in the **"Heating circuit"** group.

The effect on a circulation pump for cylinder heating is selected in coding address 5E in the **"DHW"** group.

Effect of the external demand function on the pumps

The effect on the internal circulation pump is selected in coding address 3F in the **"General"** group.

The effect on the respective heating circuit pump is selected in coding address d7 in the **"Heating circuit"** group.

The effect on a circulation pump for cylinder heating is selected in coding address 5F in the **"DHW"** group.

DHW circulation pump runtime for brief operation

The DHW circulation pump is started by closing the contact at DE1, DE2 or DE3 by means of a pushbutton. The runtime is adjusted via coding address "3d" in the **"General"** group.

External extensions (accessories) (cont.)

Analogue input 0 – 10 V

The 0 – 10 V hook-up provides an additional set boiler water temperature:

0 – 1 V is taken as "no default for set boiler water temperature".

1 V \triangleq Set value 10 °C

10 V \triangleq Set value 100 °C

Ensure DC separation between the earth conductor and the negative pole of the on-site voltage source.

Output 157

The following functions can be connected to output 157:

- Feed pump to substation
or
- DHW circulation pump
or
- Fault message facility

Function assignment

Select the function of output 157 via coding address "36" in the **"General"** group at the boiler control unit.

Control functions

External heating program changeover

The "External heating program changeover" function is connected via extension EA1. There are 3 inputs available at extension EA1 (DE1 to DE3).

The function is selected via the following coding addresses in the **"General"** group:

Heating program - changeover	Code
Input DE1	3A:1
Input DE2	3b:1
Input DE3	3C:1

Assign the operating program changeover function for the relevant heating circuit via coding address "d8" in group **"Heating circuit"** at the boiler control unit:

Heating program - changeover	Code
Changeover via input DE1	d8:1
Changeover via input DE2	d8:2
Changeover via input DE3	d8:3

Control functions (cont.)

You can select which direction the heating program changeover takes in coding address "d5" in the **"Heating circuit"** group:

Heating program - changeover	Code
Changeover towards "Permanently reduced" or "Permanent standby" mode (subject to the selected set value)	d5:0
Changeover towards "Constant heating mode"	d5:1

The duration of the heating program changeover is set via coding address "F2" in the **"Heating circuit"** group:

Heating program - changeover	Code
No operating program changeover	F2:0
Duration of the operating program changeover 1 to 12 hours	F2:1 to F2:12

The operating program changeover stays enabled for as long as the contact remains closed, but at least as long as the duration selected in coding address "F2".

External blocking

The "External blocking" and "External blocking and fault message input" functions are connected via extension EA1. There are 3 inputs available at extension EA1 (DE1 to DE3).

The function is selected via the following coding addresses in the **"General"** group:

External blocking	Code
Input DE1	3A:3
Input DE2	3b:3
Input DE3	3C:3

Control functions (cont.)

External blocking and fault message input	Code
Input DE1	3A:4
Input DE2	3b:4
Input DE3	3C:4

The effect on the internal circulation pump is selected in coding address "3E" in group **"General"**.

The effect on the relevant heating circuit pump is selected in coding address "d6" in group **"Heating circuit"**.

External demand

The "External demand" function is connected via extension EA1. There are 3 inputs available at extension EA1 (DE1 to DE3).

The function is selected via the following coding addresses in the **"General"** group:

External demand	Code
Input DE1	3A:2
Input DE2	3b:2
Input DE3	3C:2

The effect on the internal circulation pump is selected in coding address "3F" in group **"General"**.

The effect on the relevant heating circuit pump is selected in coding address "d7" in group **"Heating circuit"**.

The minimum set boiler water temperature in case of external demand is selected in coding address "9b" in group **"General"**.

Venting program

During the venting program, the circulation pump will be alternately switched on and off for 30 s at a time over a period of 20 min.

For a certain period, the diverter valve is alternately set towards heating and DHW heating. The burner is switched off during the venting program.

Activate venting program: See "Venting the heating system".

Control functions (cont.)

Fill program

In the delivered condition, the diverter valve is set to its central position, enabling the system to be filled completely. After the control unit has been switched on, the diverter valve no longer goes into its central position.

Afterwards, the diverter valve can be moved via the fill function into the central position (see "Filling the heating system"). In this position, the control unit can be switched off, and the system can be filled completely.

Filling with the control unit switched on

If the system is to be filled with the control unit switched on, the diverter valve is moved in the fill program to its central position and the pump starts.

When the function is enabled, the burner shuts down. The program is automatically disabled after 20 min.

Screed drying

When activating screed drying, observe the information provided by the screed manufacturer.

When the screed drying function is activated, the heating circuit pump in the heating circuit with mixer is switched on and the flow temperature is held in accordance with the selected profile. On completion (30 days), the heating circuit with mixer is regulated automatically via the set parameters.

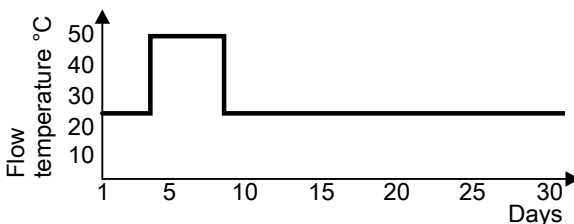
Observe EN 1264. The report to be provided by the heating contractor must contain the following heat-up details:

- Heat-up data with respective flow temperatures
- Max. flow temperature achieved
- Operating state and outside temperature during handover

The various temperature profiles can be set via coding address "F1" in the "Heating circuit" group.

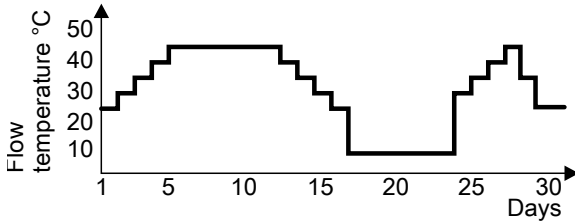
The function continues after power failure or after the control unit has been switched off. "Heating and DHW" is started when screed drying is finished or if code "F1:0" is set manually.

Temperature profile 1: (EN 1264-4) code "F1:1"

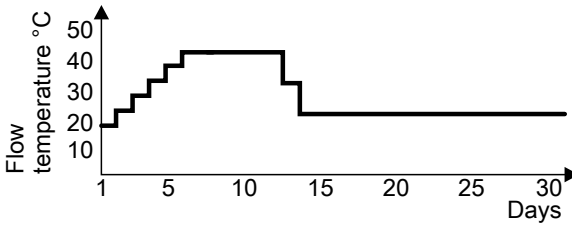


Control functions (cont.)

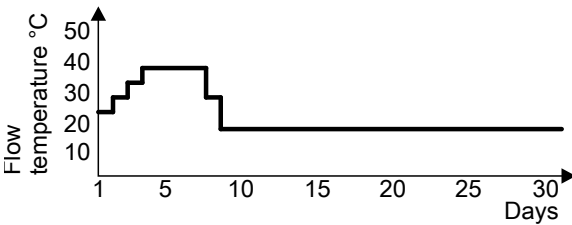
Temperature profile 2: (ZV parquet and flooring technology) code "F1:2"



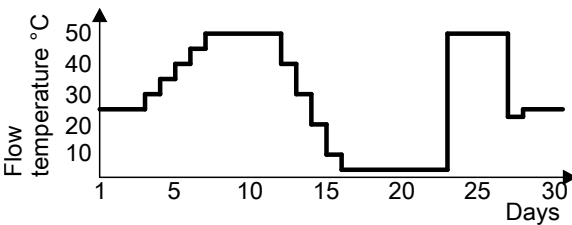
Temperature profile 3: Code "F1:3"



Temperature profile 4: Code "F1:4"

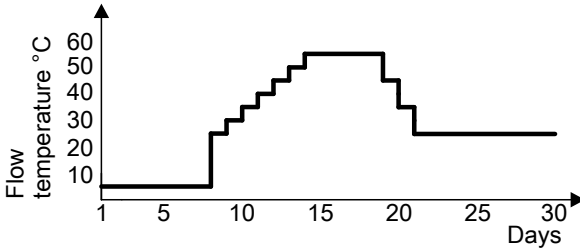


Temperature profile 5: Code "F1:5"

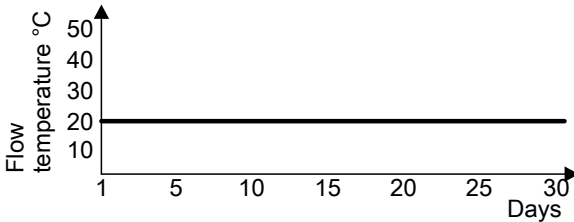


Control functions (cont.)

Temperature profile 6: Code "F1:6"



Temperature profile 7: Code "F1:15"



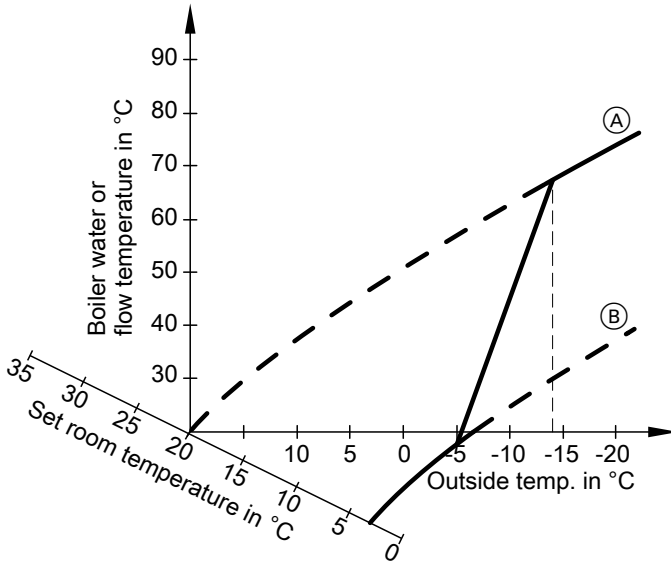
Raising the reduced room temperature

During operation with reduced room temperature, the reduced set room temperature can be automatically raised subject to the outside temperature. The temperature is raised in accordance with the selected heating curve, but no higher than the set standard room temperature.

The outside temperature limits for the start and end of temperature raising can be set in coding addresses "F8" and "F9" in the **"Heating circuit"** group.

Control functions (cont.)

Example using the settings in the delivered condition



Ⓐ Heating curve for operation with standard room temperature

Ⓑ Heating curve for operation with reduced room temperature

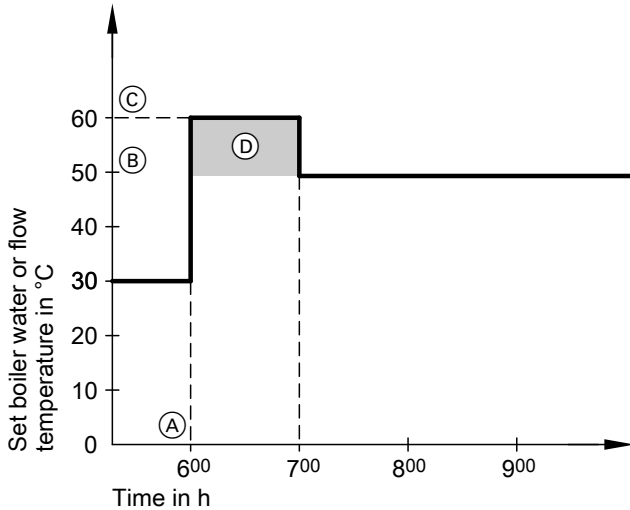
Reducing the heat-up time

During the transition from operation with reduced room temperature to operation with standard room temperature, the boiler water or flow temperature will be raised in accordance with the selected heating curve. The boiler water or flow temperature can be automatically increased.

The value and duration of the additional increase in the set boiler water or flow temperature can be set in coding addresses "FA" and "Fb" in the "**Heating circuit**" group.

Control functions (cont.)

Example using the settings in the delivered condition



- Ⓐ Start of operation with standard room temperature
- Ⓑ Set boiler water or flow temperature in accordance with the selected heating curve
- Ⓒ Set boiler water or flow temperature in accordance with coding address "FA":
 $50\text{ °C} + 20\% = 60\text{ °C}$
- Ⓓ Duration of operation with raised set boiler water or flow temperature in accordance with coding address "Fb":
 60 min

Allocating heating circuits to the remote control

The heating circuit allocation must be configured when commissioning the Vitotrol.

Heating circuit	Vitotrol configuration	
	200A/200 RF	300A/300 RF
The remote control affects the heating circuit without mixer A1	H 1	HC 1
The remote control affects the heating circuit with mixer M2	H 2	HC 2
The remote control affects the heating circuit with mixer M3	H 3	HC 3

Note

One heating circuit can be assigned to the Vitotrol 200A/200 RF.

Up to three heating circuits can be assigned to the Vitotrol 300A/300 RF.

Up to 2 remote controls may be connected to the control unit.

If the heating circuit allocation is later cancelled, reset coding address A0 for this heating circuit to 0 (fault message bC, bd, bE).

Electronic combustion control unit

The electronic combustion controller utilises the physical correlation between the level of the ionisation current and the air ratio λ . The maximum ionisation current is achieved at an air ratio of 1 for all gas qualities.

The ionisation signal is evaluated by the combustion controller and the air ratio is adjusted to a value between $\lambda=1.24$ and 1.44 . This range provides for an optimum combustion quality. Thereafter, the electronic gas valve regulates the required gas volume subject to the prevailing gas quality.

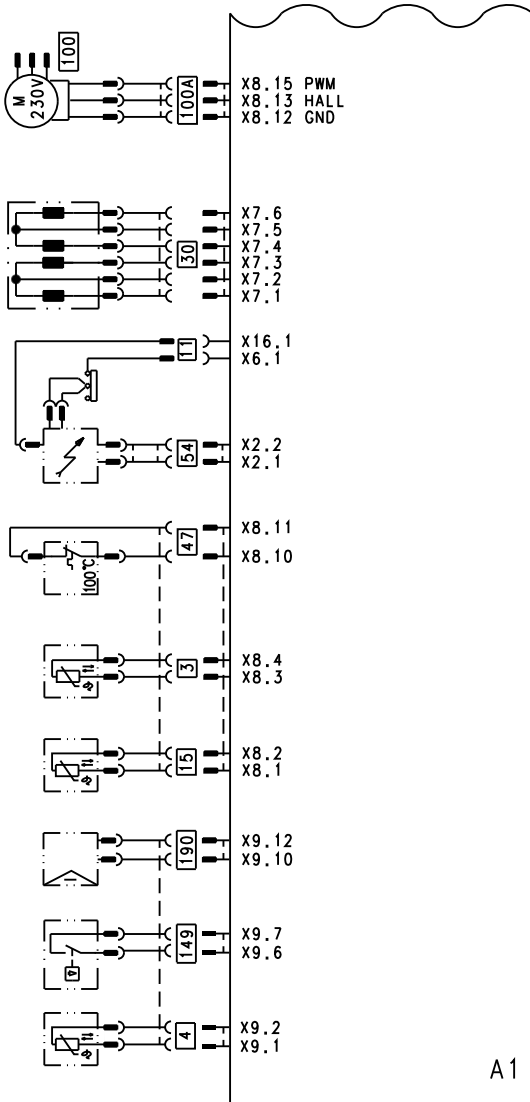
To check the combustion quality, the CO_2 content or the O_2 content of the flue gas is measured. The prevailing air ratio is determined with the measured values. The relationship between the CO_2 or O_2 content and air ratio λ is illustrated in the following table.

Electronic combustion control unit (cont.)**Air ratio λ – CO₂/O₂ content**

Air ratio λ	O ₂ content (%)	CO ₂ content (%) for natural gas E	CO ₂ content (%) for natural gas LL	CO ₂ content (%) for LPG P
1.20	3.8	9.6	9.2	11.3
1.24	4.4	9.2	9.1	10.9
1.27	4.9	9.0	8.9	10.6
1.30	5.3	8.7	8.6	10.3
1.34	5.7	8.5	8.4	10.0
1.37	6.1	8.3	8.2	9.8
1.40	6.5	8.1	8.0	9.6
1.44	6.9	7.8	7.7	9.3
1.48	7.3	7.6	7.5	9.0

For optimum combustion control, the system regularly carries out an automatic self-calibration; also after a power failure (shutdown). For this, the combustion is briefly regulated to max. ionisation current (corresponding to air ratio $\lambda=1$). Automatic calibration is carried out shortly after the burner start and lasts approx. 5 s. During calibration, higher than normal CO emissions may occur briefly.

Connection and wiring diagram – Internal connections



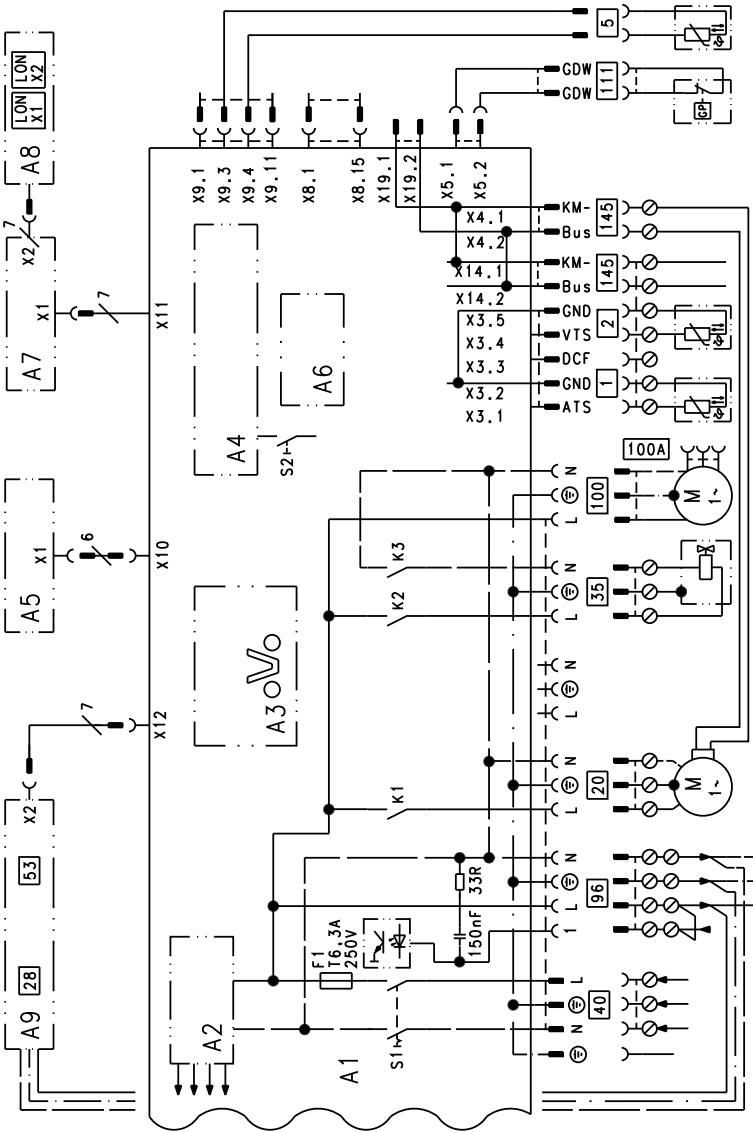
- A1 Main PCB
- X... Electrical interface
- 3 Boiler water temperature sensor

- 4 Only type B2KA:
Outlet temperature sensor
- 11 Ionisation electrode
- 15 Flue gas temperature sensor

Connection and wiring diagram – Internal... (cont.)

30	Stepper motor for diverter valve	100	A Fan motor control
47	Temperature limiter	149	Only type B2KA: Flow switch
54	Ignition unit	190	Modulation coil
100	Fan motor		

Connection and wiring diagram – External connections



- | | | | |
|----|-------------------|----|---------------------|
| A1 | Main PCB | A4 | Burner control unit |
| A2 | Power supply unit | A5 | Programming unit |
| A3 | Optolink | A6 | Coding card |

Connection and wiring diagram – External... (cont.)

A7	Connection adaptor	20	Internal circulation pump
A8	LON communication module (Vitotronic 200)	35	Gas solenoid valve
A9	Internal extension H1 or H2 (accessories)	40	Power supply
S1	ON/OFF switch	96	Power supply for accessories and Vitotrol 100
S2	Reset button	100	Fan motor
X...	Electrical interface	100	A Fan motor control
1	Outside temperature sensor	111	Gas pressure switch
2	Flow temperature sensor, low loss header	145	KM BUS
5	Cylinder temperature sensor (type B2HA) or Comfort sensor (type B2KA) (plug on the cable harness)		

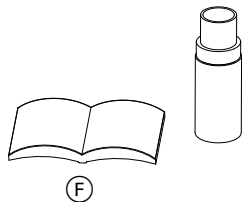
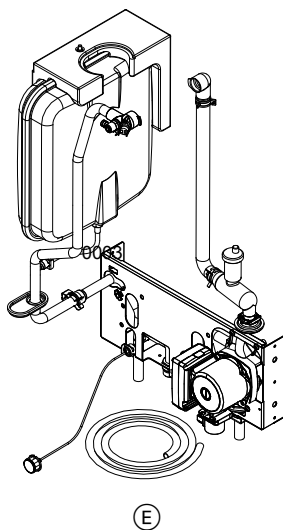
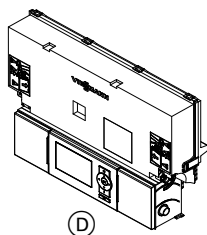
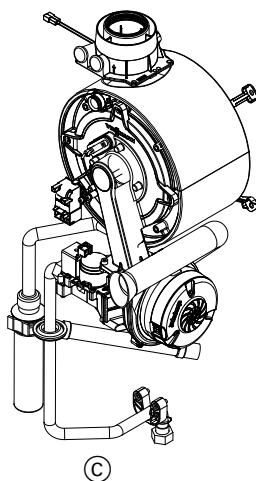
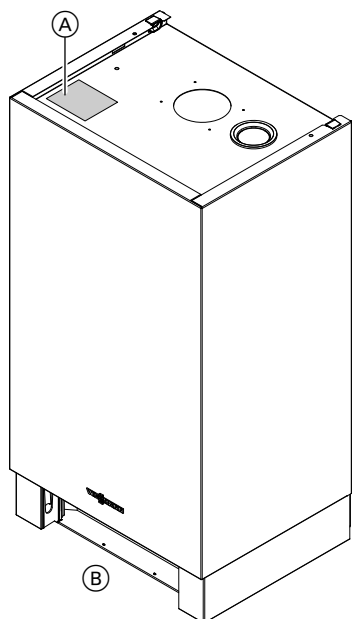
Ordering individual parts

The following information is required:

- Serial no. (see type plate (A))
- Assembly (from this parts list)
- Position number of the individual part within the assembly (from this parts list)

Standard parts are available from your local dealer.

Overview of the assemblies



- (A) Type plate
- (B) Casing assembly

- (C) Heat cell assembly with burner
- (D) Control unit assembly



Overview of the assemblies (cont.)

Ⓔ Hydraulic assembly
with Aqua-plate

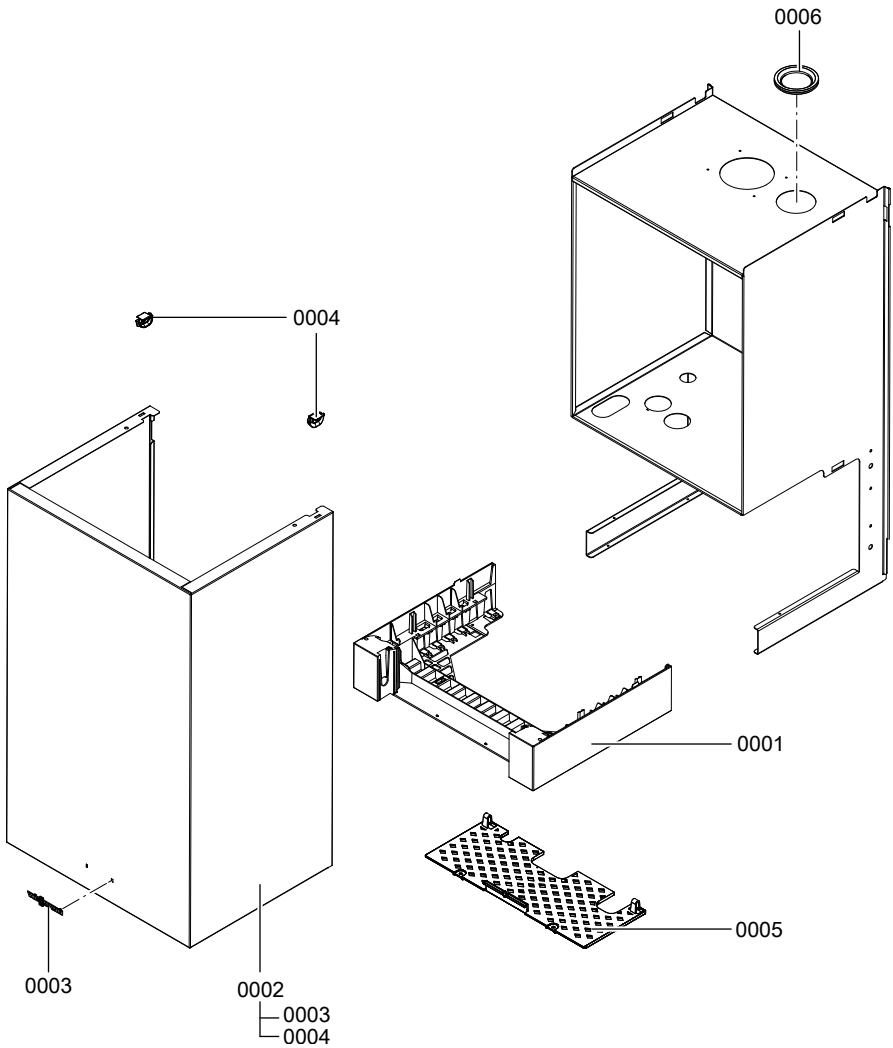
Ⓕ Miscellaneous assembly

Casing

0001 Control unit support
0002 Front panel
0003 Viessmann logo

0004 Fixing clip (2 pce)
0005 Safety guard
0006 Diaphragm grommet DN 60

Casing (cont.)



Heat cell

- | | | | |
|------|-------------------------------|------|-----------------------------|
| 0001 | Gasket DN 60 | 0003 | Boiler flue connection plug |
| 0002 | Boiler flue connection 60/100 | 0004 | Flue gasket |

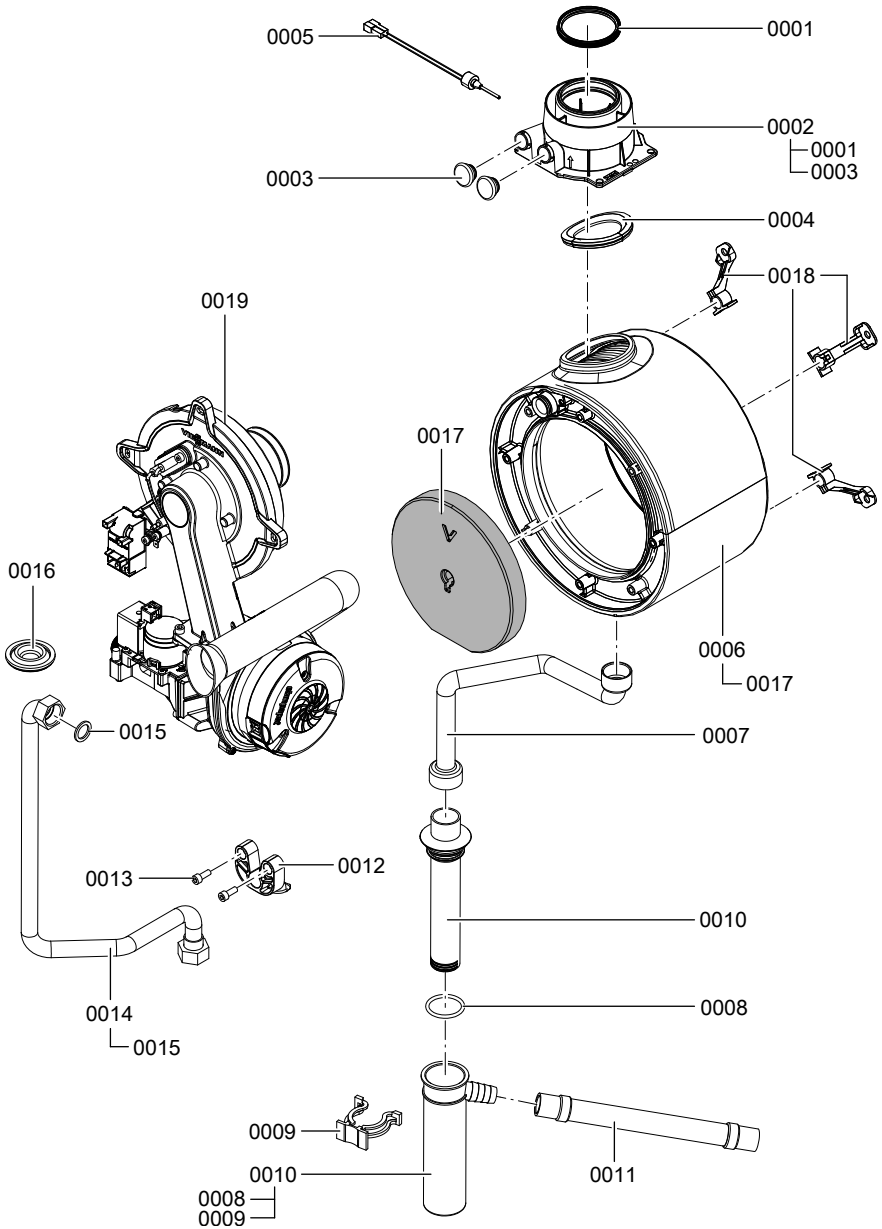
5772-909 GB



Heat cell (cont.)

0005	Flue gas temperature sensor	0013	Cheese head screw M 6 x 16 (5 pce)
0006	Heat exchanger	0014	Gas supply pipe
0007	Condensate hose	0015	Gas pipe gasket
0008	O-ring 35.4 x 3.6 (5 pce)	0016	Diaphragm grommet Ø 54/18
0009	Locking clip, condensate hose	0017	Thermal insulation block
0010	Siphon	0018	Heat exchanger mounting (set)
0011	Condensate hose	0019	Matrix cylinder burner
0012	Gas supply pipe retaining clip		

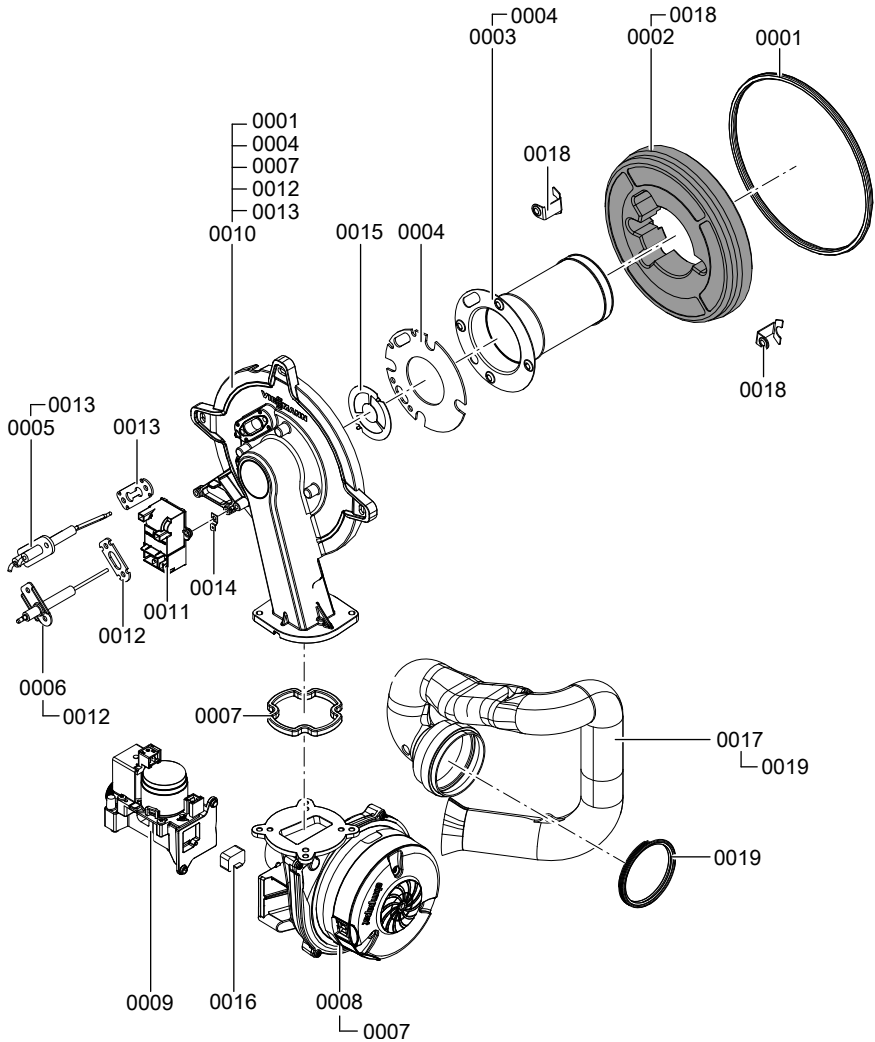
Heat cell (cont.)



Burner

0001	Burner gasket (wearing part)	0012	Ionisation electrode gasket (5 pce)
0002	Thermal insulation ring	0013	Ignition electrode gasket (5 pce)
0003	Cylinder burner gauze assembly	0014	Blade terminal
0004	Burner gauze assembly gasket	0015	Mixture restrictor
0005	Ignition electrode (wearing part)	0016	Gas nozzle
0006	Ionisation electrode (wearing part)	■ 19 kW: 02 yellow	
0007	Burner door flange gasket (wear- ing part)	■ 26 kW: 04 grey	
0008	Radial fan	■ 35 kW: 06 black	
0009	Gas train	0017	Venturi extension
0010	Burner door	0018	Mounting plate, thermal insula- tion ring (2 pce)
0011	Ignition unit	0019	Gasket DN 65

Burner (cont.)



Hydraulics type B2HA

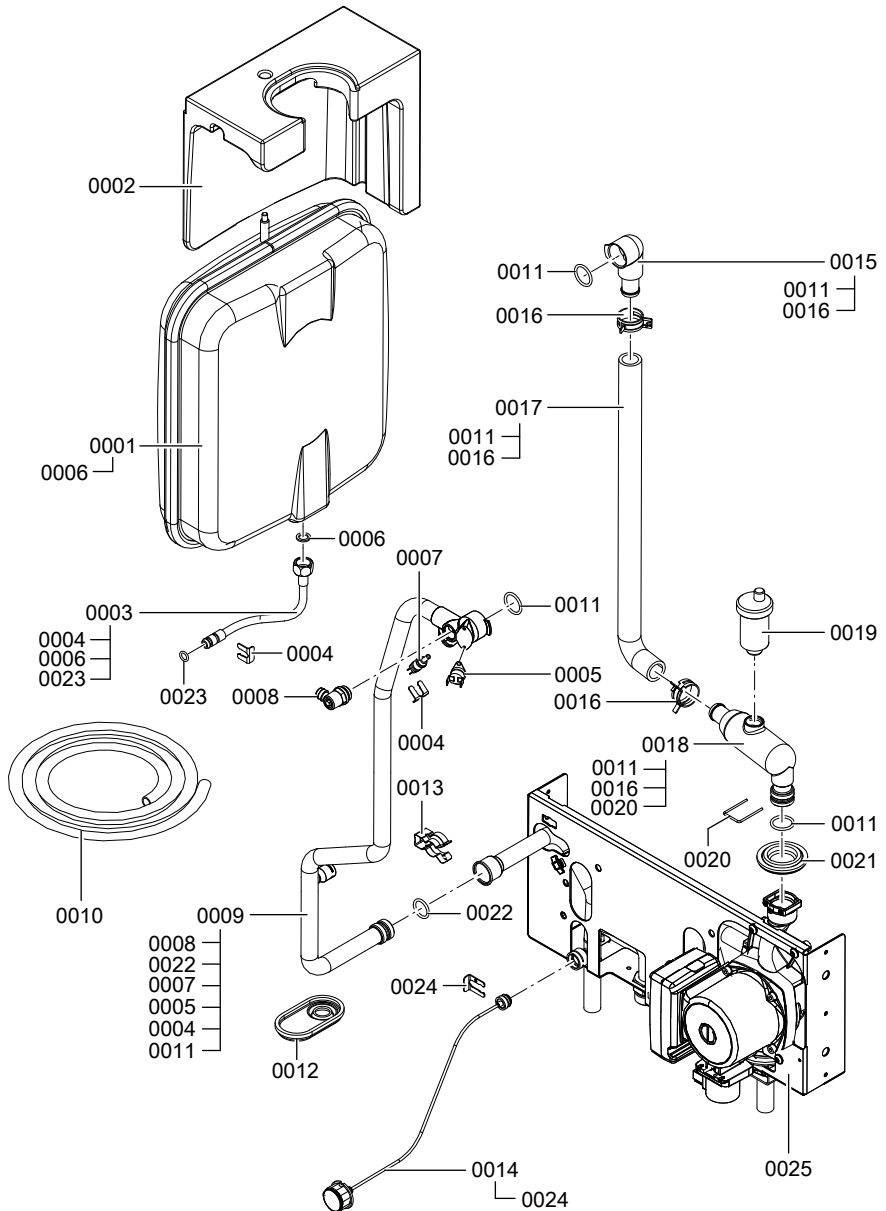
5772-909 GB 0001 Expansion vessel
0002 Expansion vessel support

0003 Connection line, expansion vessel

Hydraulics type B2HA (cont.)

0004	Clip Ø 8 (5 pce)	0016	Hose clip DN 25
0005	Thermal circuit breaker	0017	Heating water return connection pipe
0006	Gasket set A 10 x 15 x 1.5	0018	Heating water return connection elbow
0007	Temperature sensor	0019	Quick-action air vent valve G 3/8
0008	Air vent valve G 3/8	0020	Locking pin
0009	Heat exchanger connection pipe	0021	Diaphragm grommet
0010	Drain hose 10 x 1.5 x 1500	0022	Plug-in connector gasket (set)
0011	O-ring 20.6 x 2.6 (set)	0023	Round sealing ring 8 x 2 (5 pce)
0012	Diaphragm grommet	0024	Clip Ø 10 (5 pce)
0013	Plug-in connector retainer (set)	0025	Aqua-plate
0014	Pressure gauge		
0015	Heating water return connection elbow		

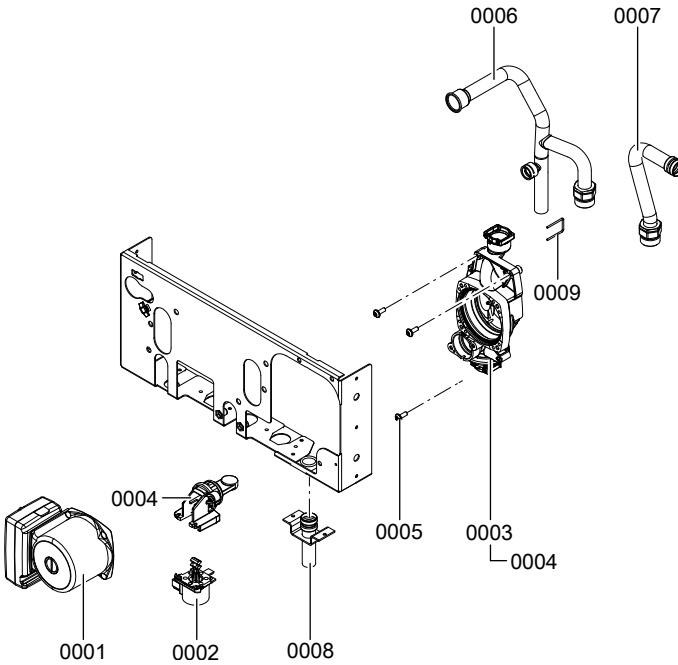
Hydraulics type B2HA (cont.)



Hydraulics type B2HA (cont.)

Aqua-plate type B2HA

- | | | | |
|------|------------------------------------|------|--------------------------------------|
| 0001 | Circulation pump motor | 0007 | DHW connection pipe |
| 0002 | Linear stepper motor | 0008 | Heating water return connection pipe |
| 0003 | Return unit | 0009 | Locking pin Ø 18 (5 pce) |
| 0004 | Adaptor for stepper motor | | |
| 0005 | Screw 50 x 14 (5 pce) | | |
| 0006 | Heating water flow connection pipe | | |



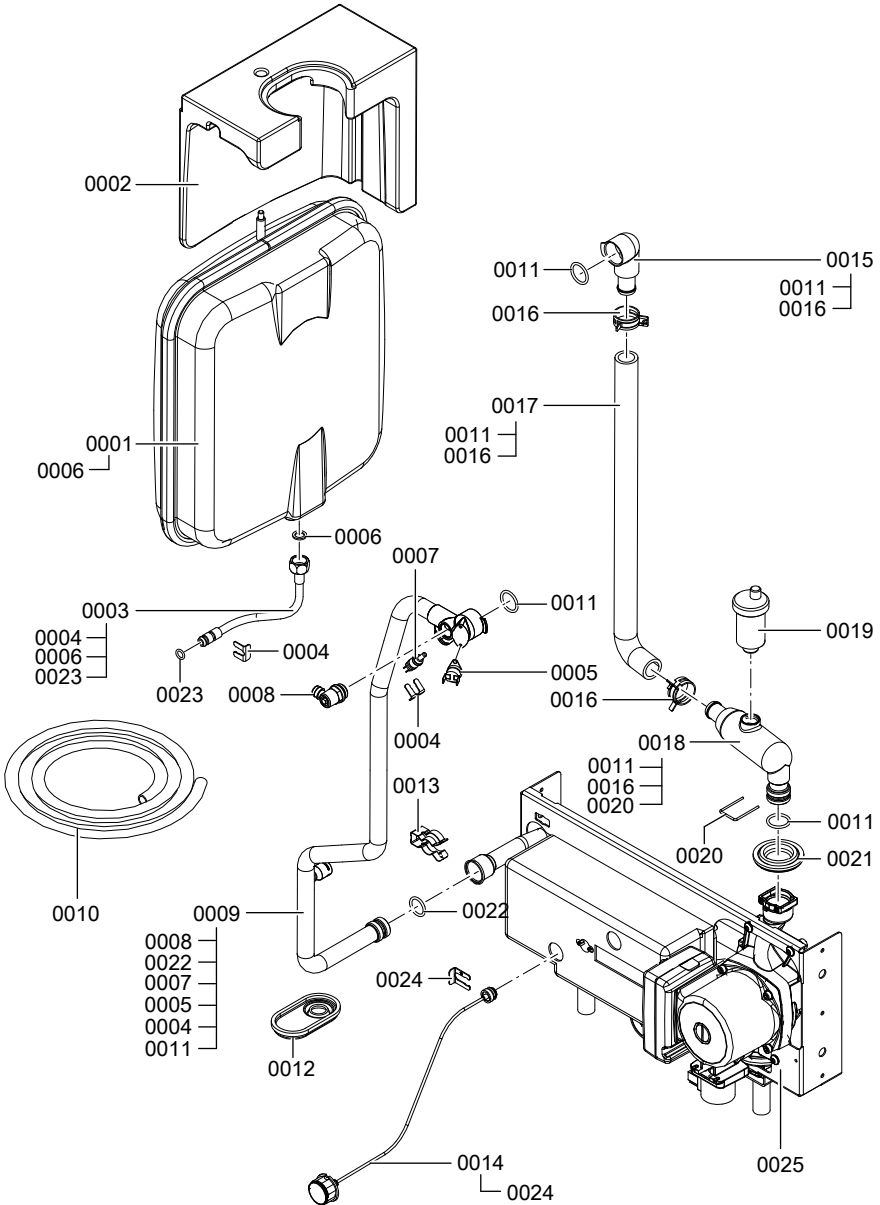
Hydraulics type B2KA

- | | | | |
|------|-----------------------------------|------|--------------------------------|
| 0001 | Expansion vessel | 0005 | Thermal circuit breaker |
| 0002 | Expansion vessel support | 0006 | Gasket set A 10 x 15 x 1.5 |
| 0003 | Connection line, expansion vessel | 0007 | Temperature sensor |
| 0004 | Clip Ø 8 (5 pce) | 0008 | Air vent valve G 3/8 |
| | | 0009 | Heat exchanger connection pipe |

Hydraulics type B2KA (cont.)

0010	Drain hose 10 x 1.5 x 1500	0018	Heating water return connection elbow
0011	O-ring 20.6 x 2.6 (set)	0019	Quick-action air vent valve G 3/8
0012	Diaphragm grommet	0020	Locking pin
0013	Plug-in connector retainer (set)	0021	Diaphragm grommet
0014	Pressure gauge	0022	Plug-in connector gasket (set)
0015	Heating water return connection elbow	0023	Round sealing ring 8 x 2 (5 pce)
0016	Hose clip DN 25	0024	Clip Ø 10 (5 pce)
0017	Heating water return connection pipe	0025	Aqua-plate

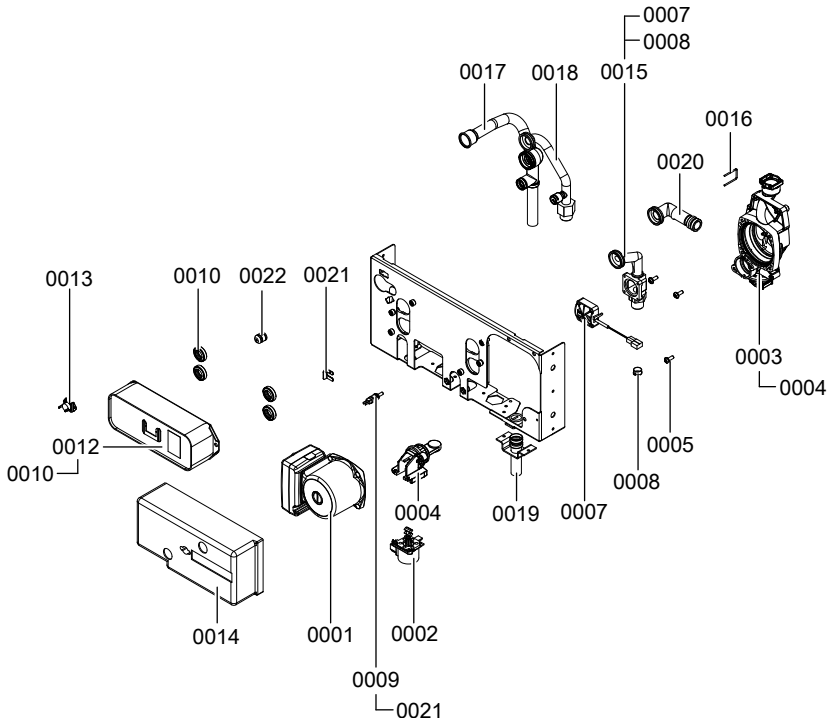
Hydraulics type B2KA (cont.)



Hydraulics type B2KA (cont.)

Aqua-plate type B2KA

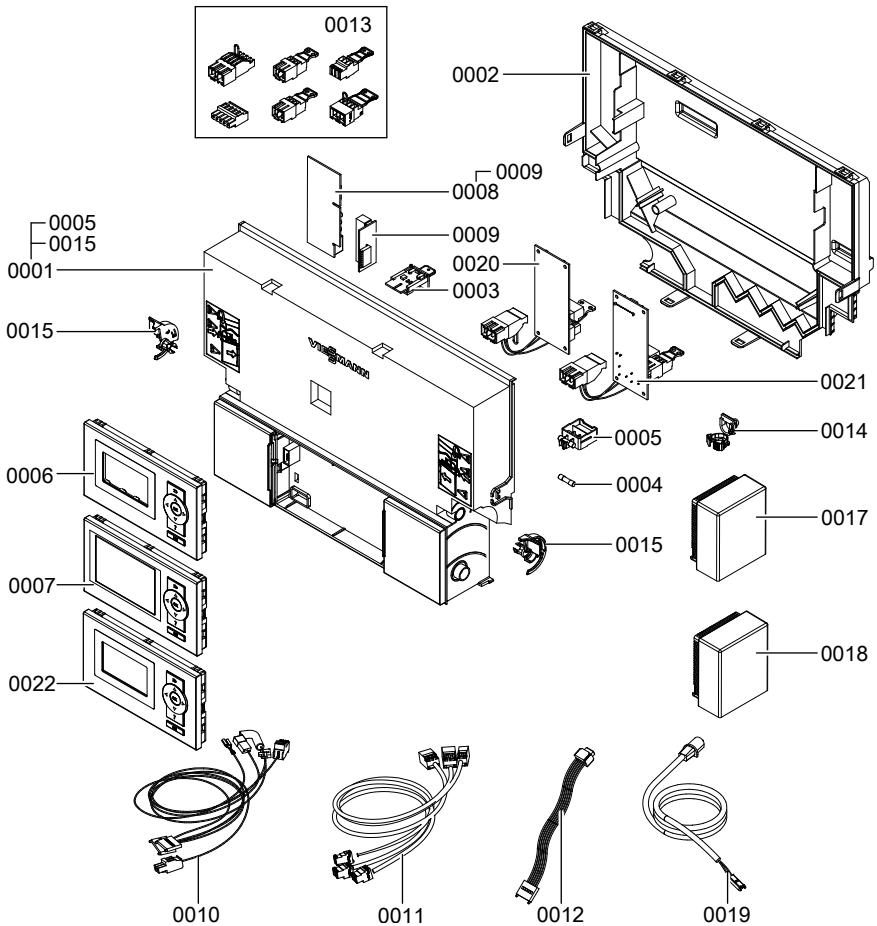
- | | | | |
|------|--|------|---------------------------------------|
| 0001 | Circulation pump motor | 0015 | Flow switch connection assembly |
| 0002 | Linear stepper motor | 0016 | Locking pin Ø 18 (5 pce) |
| 0003 | Return unit | 0017 | Heating water flow connection pipe |
| 0004 | Adaptor for stepper motor | 0018 | DHW connection pipe |
| 0005 | Screw 50 x 14 (5 pce) | 0019 | Heating water return connection pipe |
| 0007 | Flow switch | 0020 | Plate heat exchanger connection elbow |
| 0008 | Water volume controller | 0021 | Clip Ø 8 (5 pce) |
| 0009 | Temperature sensor | 0022 | Non-return valve DN 15 |
| 0010 | Plate heat exchanger gasket (set) | | |
| 0012 | Plate heat exchanger | | |
| 0013 | Temperature sensor NTC | | |
| 0014 | Thermal insulation, plate heat exchanger | | |



Control unit

0001	Control unit	0012	Power cable, stepper motor
0002	Control unit casing back panel	0013	Mating plug (set)
0003	Coding card	0014	Cable fixing
0004	Fuse 6.3 A (slow) (10 pce)	0015	Locking bolts, left and right
0005	Fuse holder	0017	Wireless outside temperature sensor
0006	Programming unit for constant temperature mode	0018	Outside temperature sensor (hardwired)
0007	Programming unit for weather-compensated mode	0019	KM BUS connecting cable 145
0008	LON module	0020	Internal extension H1
0009	PCB adaptor	0021	Internal extension H2
0010	Cable harness X8/X9/ionisation	0022	Programming unit for room temperature-dependent mode
0011	Cable harness 100/35/54/PE		

Control unit (cont.)

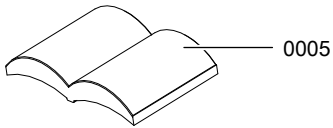
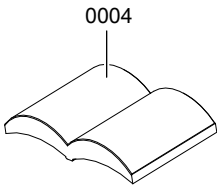
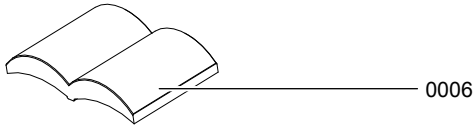
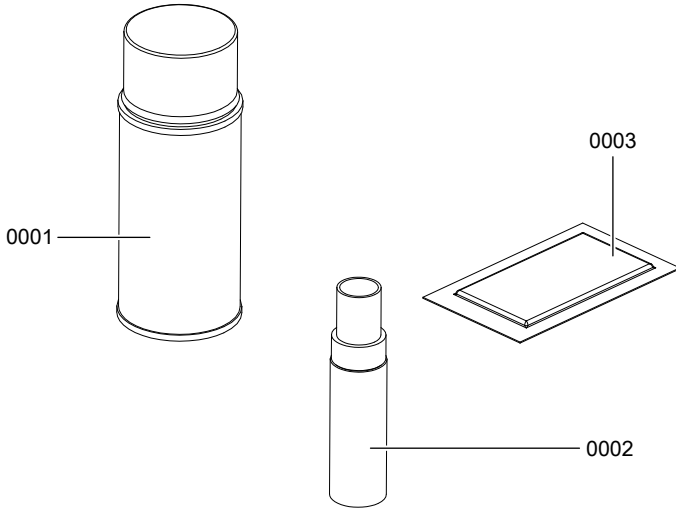


Miscellaneous

- 0001 Spray paint, Vitowhite
- 0002 Touch-up paint stick, Vitowhite
- 0003 Special grease
- 0004 Installation and service instructions

- 0005 Operating instructions for constant temperature mode
- 0006 Operating instructions for weather-compensated mode

Miscellaneous (cont.)



Commissioning/service reports

Settings and actual values	Set value	Commis- sioning	Mainte- nance/ Service
Date			
Signature			
Static pressure	<i>mbar</i> ≤ 57.5 <i>kPa</i> ≤ 5.75		
Supply pressure (flow pres- sure)			
<input type="checkbox"/> for natural gas E	<i>mbar</i> 17.4-25 <i>kPa</i> 1.74-2.5		
<input type="checkbox"/> for natural gas LL	<i>mbar</i> 17.4-25 <i>kPa</i> 1.74-2.5		
<input type="checkbox"/> for LPG	<i>mbar</i> 42.5-57.5 <i>kPa</i> 4.25-5.75		
<i>Tick gas type</i>			
Carbon dioxide content			
CO₂			
For natural gas			
■ At lower heating output	<i>% by vol.</i> 7.5-9.5		
■ At upper heating output	<i>% by vol.</i> 7.5-9.5		
For LPG			
■ At lower heating output	<i>% by vol.</i> 8.8-11.1		
■ At upper heating output	<i>% by vol.</i> 8.8-11.1		
Oxygen content O₂			
■ At lower heating output	<i>% by vol.</i> 4.0-7.6		
■ At upper heating output	<i>% by vol.</i> 4.0-7.6		
Carbon monoxide content			
CO			
■ At lower heating output	<i>ppm</i> < 1000		
■ At upper heating output	<i>ppm</i> < 1000		

Specification

Specification

Rated voltage	230 V	Electronic temperature limiter setting	82 °C
Rated frequency	50 Hz	Temperature limiter setting	100 °C (fixed)
Rated current	6 A	Backup fuse (power supply)	max. 16 A
Safety category	I		
IP rating	IP X 4 D to EN 60529		
Permissible ambient temperature			
■ During operation	0 to +40 °C		
■ During storage and transport	-20 to +65 °C		

System boiler (type B2HA)

Rated heating output range

at T_V/T_R 50/30 °C	kW	3.2 - 19 (4.8 - 19) ^{*2}	5.2 - 26 (8.8 - 26) ^{*2}	5.2 - 30 (8.8 - 30) ^{*2}	5.2 - 35 (8.8 - 35) ^{*2}
at T_V/T_R 80/60 °C	kW	2.9 - 17.5 (4.3 - 17.5) ^{*2}	4.7 - 24.1 (8.0 - 24.1) ^{*2}	4.7 - 27.8 (8.0 - 27.8) ^{*2}	4.7 - 32.2 (8.0 - 32.2) ^{*2}
for DHW heating	kW	2.9 - 17.5 (4.3 - 17.5) ^{*2}	4.7 - 24.1 (8.0 - 24.1) ^{*2}	4.7 - 27.8 (8.0 - 27.8) ^{*2}	4.7 - 32.2 (8.0 - 32.2) ^{*2}

Rated heat input range

	kW	3.1 - 17.9 (4.5 - 17.9) ^{*2}	4.9 - 24.7 (8.3 - 24.7) ^{*2}	4.9 - 28.5 (8.3 - 28.5) ^{*2}	4.9 - 33.0 (8.3 - 33.0) ^{*2}
--	-----------	--	--	--	--

Power consumption

In the delivered condition	W	53	68	76	89
Maximum	W	65	103	106	119

Connection values relative to the max. load

Natural gas E	m ³ /h	1.89	2.61	3.02	3.49
LPG P	kg/h	1.40	1.93	2.23	2.58

Product ID

CE-0085CN0050

*2 Only when operating with LPG.

Specification (cont.)

Combi boiler (type B2KA)

Rated heating output range				
at T_V/T_R 50/30 °C	kW	5.2 - 26 (8.8 - 26) ^{*2}	5.2 - 30 (8.8 - 30) ^{*2}	5.2 - 35 (8.8 - 35) ^{*2}
at T_V/T_R 80/60 °C	kW	4.7 - 24.1 (8.0 - 24.1) ^{*2}	4.7 - 27.8 (8.0 - 27.8) ^{*2}	4.7 - 32.2 (8.0 - 32.2) ^{*2}
for DHW heating	kW	4.7 - 29.7 (8.0 - 29.7) ^{*2}	4.7 - 30.5 (8.0 - 30.5) ^{*2}	4.7 - 34.0 (8.0 - 34.0) ^{*2}
Rated heat input range	kW	4.9 - 30.5 (8.3 - 30.5) ^{*2}	4.9 - 31.3 (8.3 - 31.3) ^{*2}	4.9 - 34.9 (8.3 - 34.9) ^{*2}
Power consumption				
In the delivered condition	W	68	76	89
Maximum	W	114	116	126
Connection values				
Relative to the max. load				
Natural gas E	m ³ /h	3.23	3.31	3.69
LPG P	kg/h	2.38	2.45	2.73
DHW flow rate at 35C rise	l/min	10.6	12.3	14.3
min DHW inlet pressure	bar		1	
min DHW flow rate	l/min		2.5	
Product ID	CE-0085CN0050			

Note

The connection values are only for documentation purposes (e.g. in the gas contract application) or to estimate a supplementary volumetric settings check. Due to the factory settings, the gas pressure must not be altered from these values. Reference: 15 °C, 1013 mbar.

Declaration of conformity

We, Viessmann Werke GmbH&Co KG, D-35107 Allendorf, declare as sole responsible body that the product **Vitodens 200-W, type B2HA and B2KA**, complies with the following standards:

DIN 4753	EN 60 335-1
EN 483	EN 60 335-2-102
EN 625	EN 61 000-3-2
EN 677	EN 61 000-3-3
EN 806	EN 62 233
EN 55 014	

In accordance with the following Directives, this product is designated with **CE-0085**:

92/42/EEC	2006/95/EC
2004/108/EC	2009/142/EC

This product meets the requirements of the Efficiency Directive (92/42/EEC) for **condensing boilers**.

Allendorf, 01 June 2012

Viessmann Werke GmbH&Co KG



Authorised signatory Manfred Sommer

Manufacturer's certificate according to the 1st BImSchV [Germany]

We, Viessmann Werke GmbH&Co KG, D-35107 Allendorf, confirm that the product **Vitodens 200-W** complies with the NO_x limits specified by the 1st BImSchV Paragraph 6 [Germany].

Allendorf, 01 June 2012

Viessmann Werke GmbH&Co KG



Authorised signatory Manfred Sommer

Keyword index

A

Acknowledging a fault display.....	110
Actuator test.....	107
Assembly.....	162

B

Boiler water temperature sensor.....	130
Boosting DHW heating.....	141
Brief scans.....	102
Burner gasket.....	41
Burner gauze assembly.....	41
Burner removal.....	40

C

Calling up fault messages.....	111
Codes for commissioning.....	49
Coding level 1, calling up.....	60
Coding level 2, calling up.....	73
Combustion chamber, cleaning.....	45
Combustion controller.....	156
Combustion quality, checking.....	47
Comfort sensor.....	132
Commissioning.....	29
Condensate drain.....	43
Control unit.....	139
Cylinder temperature sensor.....	130

D

Date, setting.....	30
Diaphragm expansion vessel.....	29

E

Electronic combustion controller.....	156
Expansion vessel.....	46
Extension	
■ AM1.....	144
■ EA1.....	146
■ Internal H1.....	142
■ Internal H2.....	143
Extension kit for heating circuit with mixer	136
External blocking.....	149
External demand.....	150

F

Fault codes.....	112
Fault history.....	110
Fault manager.....	57
Fault memory.....	110, 111
Fault messages, calling up.....	110
Faults.....	110
Fill function.....	151
Filling the system.....	29
Fill water.....	29
Flow limiter.....	46
Flow temperature sensor.....	130
Flue gas temperature sensor.....	134
Function descriptions.....	139
Function sequence.....	37
Function testing.....	107
Fuse.....	136

G

Gas supply pressure.....	36
Gas train	36
Gas type.....	34
Gas type conversion.....	35

H

Heating circuit allocation.....	156
Heating curve.....	54
Heating curve level.....	56
Heating curve slope.....	56
Heating output, setting.....	39
Heating program changeover.....	148
Heating surfaces, cleaning.....	45
Heat-up time.....	154

I

Ignition.....	42
Ignition electrodes.....	42
Ionisation electrode.....	42

Keyword index (cont.)

L

Language selection.....30
 LON.....57
 ■ Fault monitoring.....58
 ■ Setting subscriber numbers.....57
 ■ Subscriber check.....58
 LON communication module.....57

M

Manufacturer's certificate182
 Mixer open/close.....137

O

Operating conditions, scanning.....101
 Operating data, scanning.....101
 Outlet temperature sensor.....132
 Outside temperature sensor.....129

P

Plate heat exchanger.....133

R

Raising the reduced room temperature.....153
 Reduced set room temperature.....56
 Reducing the heat-up output.....153
 Reducing the heat-up time.....154
 Relay test.....107
 Remote control.....156
 Removing a fault display.....110
 Report.....179
 Rotational direction of mixer motor
 ■ Changing.....137
 ■ Checking.....137

S

Safety chain135
 Screed drying.....151
 Screed drying function.....151
 Service, calling up.....59
 Service level, calling up.....100
 Service menu, calling up.....100
 Set room temperature selection.....55
 Siphon.....33, 43
 Specification180
 Standard set room temperature.....55
 Static pressure.....36
 Supply pressure.....35
 System pressure.....29
 System schemes.....49, 60

T

Temperature limiter.....135
 Tightness test, balanced flue system.39
 Time, setting.....30

V

Venting.....31
 Venting program.....150
 Vitocom 200.....57
 Vitotronic 200-H.....57
 Vitotronic 200-H.....138

W

Wiring diagram.....158







Applicability

Serial No.:

7454869
7454873

7454870
7454874

7454871

7454872

Viessmann Werke GmbH&Co KG
D-35107 Allendorf
Telephone: +49 6452 70-0
Fax: +49 6452 70-2780
www.viessmann.com

Viessmann Limited
Hortonwood 30, Telford
Shropshire, TF1 7YP, GB
Telephone: +44 1952 675000
Fax: +44 1952 675040
E-mail: info-uk@viessmann.com

5772 909 GB Subject to technical modifications.