

Service instructions

for heating engineers

VIESSMANN

Vitodens 300

Type WB3A, 6.6 to 35.0 kW

Gas fired wall mounted condensing boiler
natural gas and LPG version

See applicability on the last page



VITODENS 300



Safety instructions



Please follow these safety instructions closely to prevent accidents and material losses.

Safety instructions explained



Danger

This symbol warns against the risk of injury.



Important information

This symbol warns against the risk of material losses and environmental pollution.

Note

Details identified by the words "Note" contain additional information.

Target group

These service instructions are exclusively designed for qualified personnel.

- Work on gas equipment must only be carried out by a registered gas fitter.
- Electrical work must only be carried out by a qualified electrician.
- The system must be commissioned by the system installer or a qualified person authorised by the installer.

Regulations

Observe the following during service work:

- all legal instructions regarding the prevention of accidents,
- all legal instructions regarding environmental protection,

- the Code of Practice by relevant trade associations and all local regulations.
- all current safety regulations as defined by DIN, EN, DVGW, TRGI, TRF, VDE and all locally applicable standards.

If you notice a smell of gas



Danger

Escaping gas can cause explosions which may lead to serious injury.

- Do not smoke. Prevent naked flames and sparks. Never switch electrical lights or equipment.
- Open windows and doors.
- Close the gas shut-off valve.
- Shut down the system.
- Remove all personnel from the danger zone.
- Observe the safety regulations of your local gas supplier which can be found on the gas meter.

If you smell flue gas



Danger

Flue gas may lead to life-threatening poisoning.

- Shut down the heating system.
- Ventilate the boiler room.
- Close all doors leading to the living space.

Safety instructions (cont.)

Service work on the heating system

- Isolate the system from mains supply, e.g. by removing a separate fuse or by means of a mains electrical isolator and check that it is no longer 'live'.
- Safeguard the system against unauthorised reconnection.
- When using gas as fuel, also close the main gas shut-off valve and safeguard against unauthorised reopening.

Repair work

- ! **Important information**
 - Repairing components which fulfil a safety function can compromise the safe operation of your heating system. Replace faulty components only with original Viessmann spare parts.

Ancillary components, spare and wearing parts

- ! **Important information**

Components which are not tested with the heating system, the installation of non-approved spare parts and unauthorised conversion may lead to damage to the heating system, which may affect their function and limit our warranty. For conversions or replacements, use only original spare parts from Viessmann or those which are approved by Viessmann.

Index

Initial start-up, inspection, maintenance

Steps - initial start-up, inspection and maintenance 5
 Further details regarding the individual steps 7

Coding

Code 1 40
 Code 2 43
 Resetting the coding to the delivered condition 63

Service scans

Service level summary 64
 Temperatures, boiler coding card and brief scans 65
 Checking outputs (relay test) 69
 Scanning operating conditions and sensors 71

Troubleshooting

Calling up fault code history 74
 Calling up current fault codes 74
 Checking and acknowledging faults 76
 Repairs 85

Function description

Constant temperature control units 96
 Weather-compensated control units 98
 Extensions for external connections (accessory) 100
 Control functions 104

Designs

Connection and wiring diagrams – internal connections 109
 Connection and wiring diagrams – external connections 111

Parts lists 113

Commissioning/service reports 120

Specification 126

Certificates

Declaration of conformity 127
 Manufacturer's certificate according to the 1st BImSchV [Germany] 128

Keyword index 129

Steps - initial start-up, inspection and maintenance

For further instructions on individual steps, see pages indicated

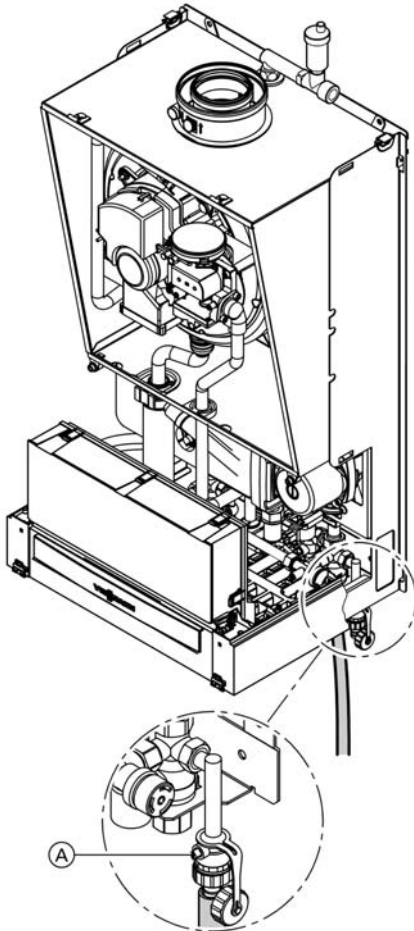
				Page
			Commissioning steps	
			Inspection steps	
			Maintenance steps	
•			1. Filling the heating system	7
•			2. Venting the boiler	9
•			3. Venting the heating system	10
•			4. Filling the siphon with water	10
•			5. Checking the electrical mains connection	
•			6. Language selection (if required) - only for the weather-compensated control units	10
•	•		7. Set the time and date (if required) - only for weather-compensated control units	11
•		•	8. Checking the gas type	11
•			9. Gas type conversion	12
•	•	•	10. Function sequence and possible faults	12
•	•	•	11. Checking static and supply pressure	14
•	•	•	12. Checking the CO₂ settings	16
•			13. Setting the max. output	18
•	•	•	14. Checking all connections on the primary and DHW side for leaks	
•	•	•	15. Checking the burner (recording values on page 120 of commissioning report)	
•			16. Checking the balanced flue system for soundness (annular gap check)	19
	•	•	17. Removing the burner and checking the burner gasket (replace gasket every two years)	20
	•	•	18. Checking the burner gauze assembly	21
	•	•	19. Checking and adjusting the ignition and ionisation electrodes	22
	•	•	20. Cleaning the combustion chamber/heating surfaces and installing the burner	23

Steps - initial start-up, inspection and maintenanc . . . (cont.)

Commissioning steps	Inspection steps	Maintenance steps	Page
↓	↓	↓	
	•	•	21. Checking the condensate drain and cleaning the siphon 24
	•	•	22. Checking the neutralising system (if installed)
	•	•	23. Flow limiter (only for gas combination boilers) 25
•	•	•	24. Checking the diaphragm expansion vessel and system pressure
•	•	•	25. Checking the function of all safety valves
•	•	•	26. Checking tightness of electrical connections
•	•	•	27. Checking all gas equipment for soundness at operating pressure 25
•	•	•	28. Checking the ionisation current 26
•	•	•	29. Checking the external LPG safety valve (if installed)
•			30. Matching the control unit to the heating system 27
•			31. Connecting the control unit to the LON system (only for weather-compensated control units) 33
•			32. Implementing a user check (in conjunction with the LON system) 34
•			33. Adjusting heating curves (only for weather-compensated control units) 35
•			34. Instructing the system user 39
	•		35. Scanning and resetting the "Maintenance" display 39

Further details regarding the individual steps

Filling the heating system



3. **!** **Important information**
- Unsuitable fill water increases the level of deposits and corrosion and may lead to boiler damage.
- Thoroughly flush the entire heating system prior to filling with water.
 - Only use fill water of potable quality.
 - Soften fill water harder than 20 °dH (3.58 mmol/l).
 - An anti-freeze additive suitable for heating systems can be mixed with the fill water.

Fill the heating system via the boiler fill & drain valve (A). (minimum system pressure > 0.8 bar).


Note

The diverter valve actuator will be in the central position, and the system will be completely filled, if the control unit has not been switched ON before the system was filled.

1. Check the charge pressure of the diaphragm expansion vessel.
2. Close the gas shut-off valve.

Initial start-up, inspection, maintenance

Further details regarding the individual steps (cont.)

4. If the control unit had already been switched ON before filling began: Start the control unit and in code 1, set coding address 2F:2. The diverter valve will then be in its central position.
5. Close the boiler fill & drain valve .
6. Set coding address 2F:0.

Note

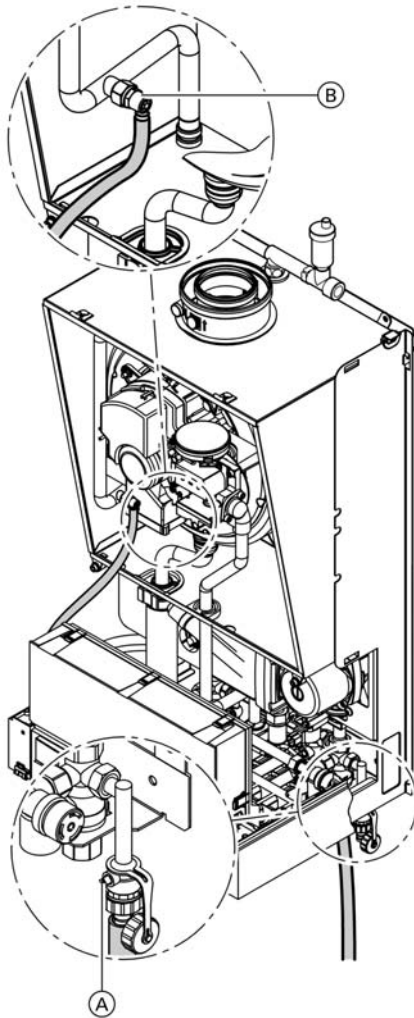
To call up code 1 and for setting the coding address, see page 40.

Whilst filling is in progress, the display shows bF (constant temperature control units) or "Filling" (weather-compensated control units).

Continue filling the system.

Further details regarding the individual steps (cont.)

Venting the boiler



1. Close the shut-off valves on the heating water side.
2. Connect the drain hose on the upper valve (B) with a drain outlet.
3. Open valves (A) and (B), and vent at mains pressure, until no sound of escaping air can be heard.
4. Close valves (A) and (B), and open the primary shut-off valves.

Further details regarding the individual steps (cont.)

Venting the heating system

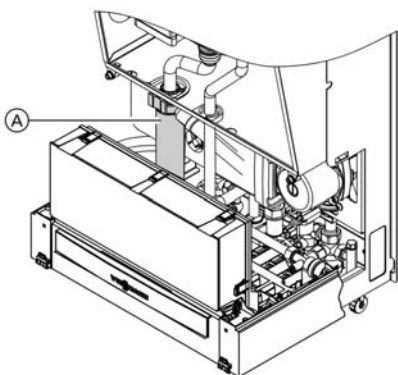
1. Close the gas shut-off valve and start the control unit.
2. Activate the venting program via coding address 2F:1.

Note

To call up code 1 and for setting the coding address, see page 40. For function and sequence of the venting program, see page 105. Whilst venting is in progress, the display shows EL (constant temperature control units) or "Venting" (weather-compensated control units).

3. Check the system pressure.

Filling the siphon with water





1. Remove the retaining clip and siphon (A).
2. Fill the siphon with water.
3. Fit siphon (A) and secure with the retaining clip.

Language selection (if required) - only for the weather-compensated control units

1. Press (i).
The display shows "Select heating circuit".
2. Press (OK).
3. After approx. 4 seconds, press (i).



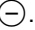




Further details regarding the individual steps (cont.)

4. Select the required language with .
5. Confirm with .

Set the time and date (if required) - only for weather-compensated control units

Note

During commissioning, or after prolonged time out of use, it may be necessary to set the time and date.

1. Press .
2. Set the correct time with /.
3. Confirm with ; **Date** will then be displayed.
4. Set the current date with /.
5. Confirm with .

Checking the gas type

1. Enquire about the gas type and Wobbe index (Wo) from your local mains gas or LPG supplier.

Note

In its delivered condition, Vito-dens 300 is set up for natural gas E.

The boiler can be operated in the Wobbe index range 12.0 to 16.1 kWh/m³ (43.2 to 58.0 MJ/m³).

2. Compare the gas category (gas type) and gas group with the details on the burner label.

3. If these details do not match the fuel provided, the burner must be converted according to the details provided by the mains gas or the LPG supplier.



See separate conversion kit installation instructions.

After conversion to

■ Natural gas LL

The boiler can be operated in the Wobbe index range 10.0 to 13.1 kWh/m³ (36.0 to 47.2 MJ/m³).

■ LPG P

The boiler can be operated in the Wobbe index range 21.4 to 22.5 kWh/m³ (76.9 to 81.0 MJ/m³).



Initial start-up, inspection, maintenance

Further details regarding the individual steps (cont.)

4. Set the gas type via coding address 1E at the control unit.
5. Record the gas type in the service report on page 120.

Note

To call up code 1 and for setting the coding address, see page 40.

Gas type conversion



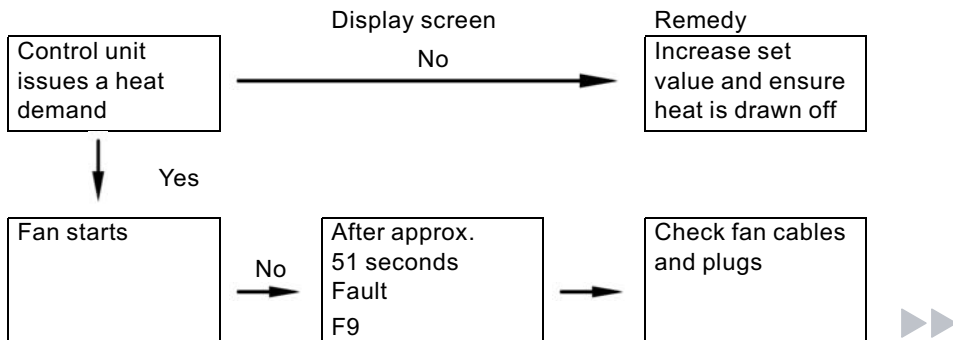
Gas restrictor installation instructions

Gas restrictor allocation

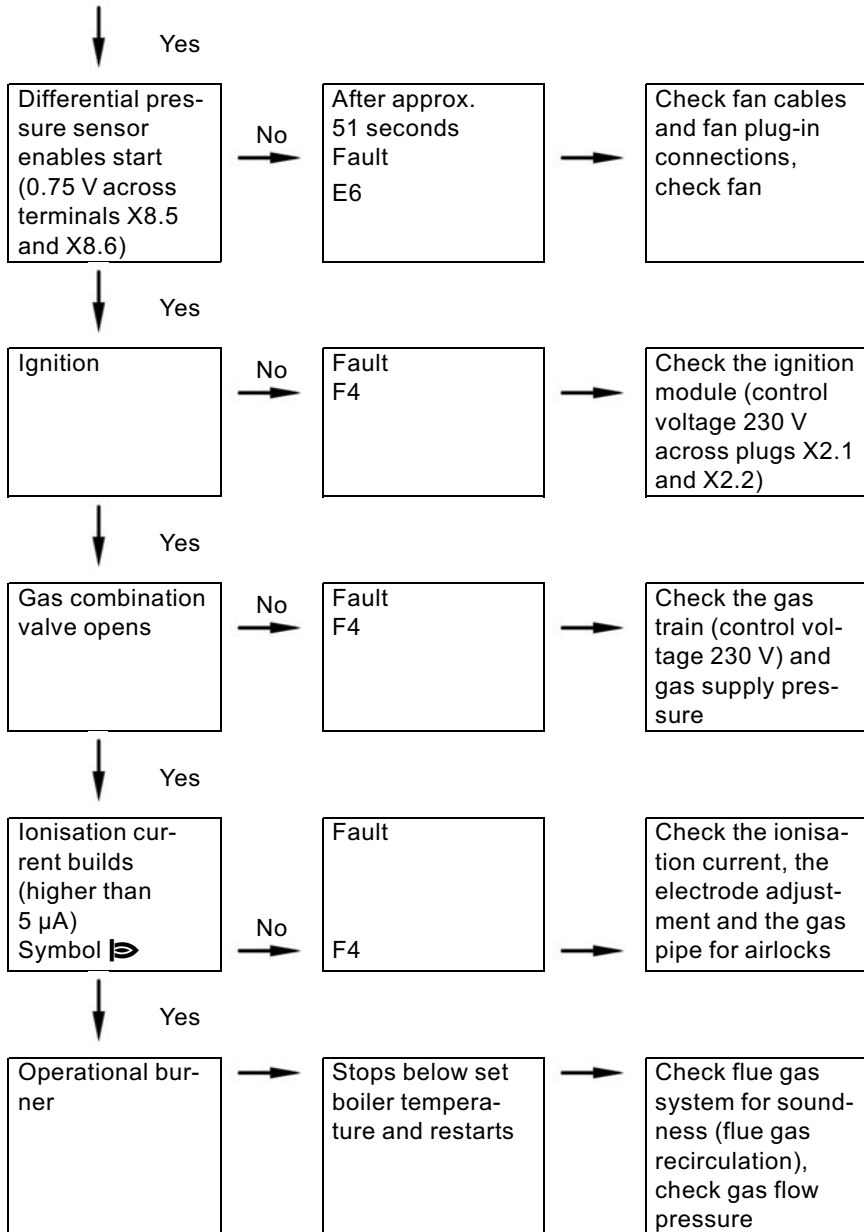
Rated output range	kW	6.6 to 26	8.7 to 35
Gas type	Internal \varnothing gas restrictor		
■ Natural gas E	mm	6.0	7.3
■ Natural gas LL	mm	6.7	8.3
■ LPG P	mm	4.4	5.4

Function sequence and possible faults

For further details regarding faults, see page 76.



Further details regarding the individual steps (cont.)



Initial start-up, inspection, maintenance

Further details regarding the individual steps (cont.)

Checking static and supply pressure

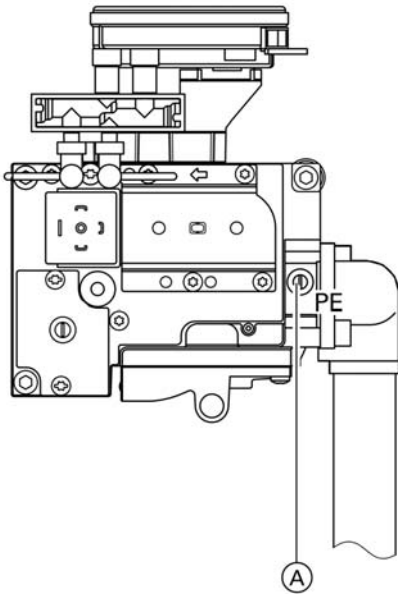


Danger

Higher CO emissions can lead to poisoning.
Measure the CO value before and after any work on gas equipment to prevent any health hazards and to ensure the perfect operational condition of the system.


Operation with LPG

Flush the LPG tank twice during commissioning/replacement. Thoroughly vent the tank and gas lines after flushing.



1. Close the gas shut-off valve.
2. Release the screw inside test nipple PE (A) on the gas combination valve, but do not remove, and connect the pressure gauge.
3. Open the gas shut-off valve.
4. Check the static pressure; it should be a max. of 57.5 mbar. Record the actual value in the service report.
5. Start up boiler.

Note

During commissioning, the boiler can enter a fault state because of airlocks in the gas pipe. After approx. 5 seconds, press  to reset the burner.



Further details regarding the individual steps (cont.)

6. Check the supply (flow) pressure; it should be
 - 20 mbar for natural gas,
 - 50 mbar for LPG.

Note


Use suitable test equipment with a resolution of at least 0.1 mbar to measure the supply pressure.

Record the actual value in the service report.

Take the action shown in the table.

Supply (flow) pressure for natural gas	Supply (flow) pressure for LPG	Remedy
Below 17.4 mbar	Below 42.5 mbar	Do not start up. Notify your mains gas or LPG supplier.
17.4 to 57.5 mbar	42.5 to 57.5 mbar	Start up boiler.
Above 57.5 mbar	Above 57.5 mbar	Install a separate gas governor downstream of the system and regulate the pressure to 20 mbar for natural gas or 50 mbar for LPG. Notify your mains gas or LPG supplier.

7. Shut down the boiler, close the gas shut-off valve, remove the pressure gauge, and close test nipple (A) with the screw.

8.  **Danger**
Gas escaping from the test nipple leads to a risk of explosion.
Check for gas leaks.

Open the gas shut-off valve, start up the boiler and check the system soundness at test nipple (A).

Initial start-up, inspection, maintenance

Further details regarding the individual steps (cont.)

Checking the CO₂ settings

Vitodens 300 is factory-set for natural gas E, and can be converted to natural gas LL or LPG P using a conversion kit.

During commissioning or maintenance, check the CO₂ level at the boiler adaptor.

Note

The MatriX burner for Vitodens 300 is preset for the entire gas group. Therefore, the burner requires no further setting or adjustment.

Subject to the Wobbe index, the CO₂ content fluctuates between

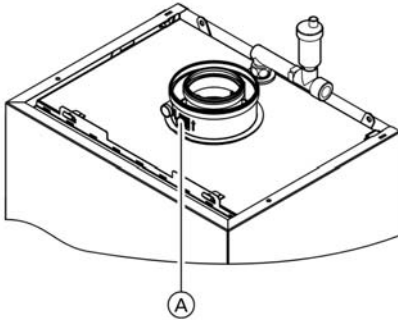
- 6.6 to 10.0 % for natural gas E
- 7.0 to 10.0 % for natural gas LL and
- 8.5 to 10.5 % for LPG P.

Compare the actual CO₂ value with the above CO₂ value ranges for the individual gas groups (check the gas group with your mains gas or LPG supplier).

If the actual CO₂ value deviates by more than 1 % for natural gas or 0.5 % for LPG, proceed as follows:

- Check whether the correct gas restrictor has been installed.
- Check the balanced flue system for soundness, see page 19.

Further details regarding the individual steps (cont.)



1. Connect a flue gas analyser at the flue gas aperture (A) on the boiler adaptor.
2. Open the gas shut-off valve, commission the boiler and create a heat demand.
3. Select the lower rated output.

Constant temperature control units:

- Press both keys \odot and OK simultaneously, until the display shows 1.

Weather-compensated control units:

- Press both keys \odot and OK simultaneously until the display shows "Relay test".
- With \oplus/\ominus in the display, select "Basic load".

4. Check the CO₂ content. Should the actual value deviate by more than 1 % from the above range, implement steps from page 16 (possibly replace the burner).
5. Enter actual values into the service report.
6. Set the upper rated output.

Constant temperature control units:

- With \oplus/\ominus in the display, select 2.


Weather-compensated control units:

- With \oplus/\ominus in the display, select "Full load".



Initial start-up, inspection, maintenance







Further details regarding the individual steps (cont.)

7. Check the CO₂ content. Should the actual value deviate by more than 1 % from the above range, implement steps from page 16 (possibly replace the burner).
8. After testing, press .
9. Enter actual values into the service report.

Setting the max. output

Note

*The max. output can be limited for **heating operation**. You can limit the output via the modulation range.*

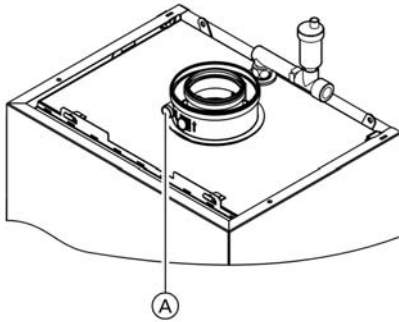
1. Start up boiler.
2. Press both  and  simultaneously until 100 flashes on the display, (equals 100 % of the rated output) and  appears. On weather-compensated control units, the display additionally shows "Max. output".
3. With / select the required value in % of rated output as max. output.
4. Confirm the set value with .
5. Record the settings for max. output on the additional type plate output on the additional type plate included with the technical documentation. Affix the type plate next to the original type plate on top of the boiler.

Note

*The output can also be limited for **DHW loading**. For this, change coding address 6F in code 2.*

Further details regarding the individual steps (cont.)

Checking the balanced flue system for soundness (annular gap check)



Ⓐ Combustion air aperture

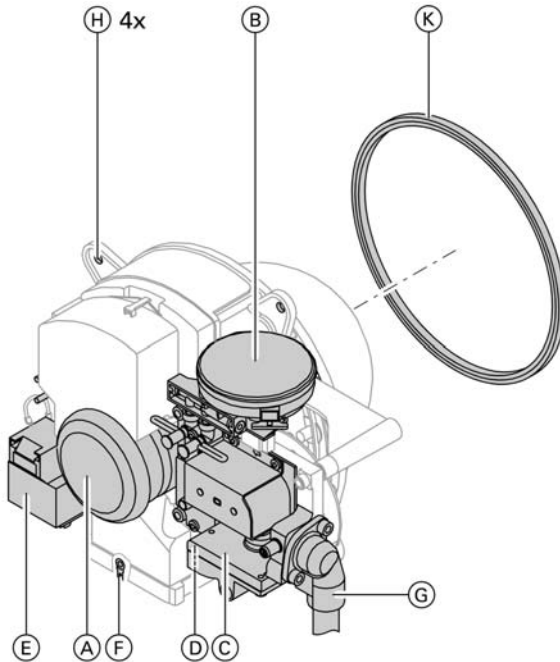
For balanced flue systems tested together with the gas fired wall mounted boiler, some Federal States (e.g. Nordrhein-Westphalia) waive the requirement for a soundness test (overpressure test) during commissioning by the flue gas inspector. For such cases we recommend that your heating contractor carries out a simple soundness test during the initial start-up of your system. For this, it would be sufficient to check the CO₂ concentration in the combustion air at the annular gap in the balanced flue pipe.

The flue pipe is deemed to be sound, if the CO₂ concentration of the combustion air is no higher than 0.2 % or the O₂ concentration is at least 20.6 %.

If actual CO₂ values are higher or O₂ values are lower, carry out a pressure test on the flue pipe at a static pressure of 200 Pa.

Further details regarding the individual steps (cont.)

**Removing the burner and checking the burner gasket
(replace gasket every two years)**



1. Switch OFF the control unit ON/OFF switch and the mains electrical supply.
2. Close the gas shut-off valve and safeguard against reopening.
3. Pull electrical cables from fan motor (A), differential pressure sensor (B), gas valve (C), ionisation electrode (D), ignition electrodes (E) and earth (F).
4. Unscrew the fixing screws of gas supply flange (G).

5. Release four nuts (H) and remove the burner.

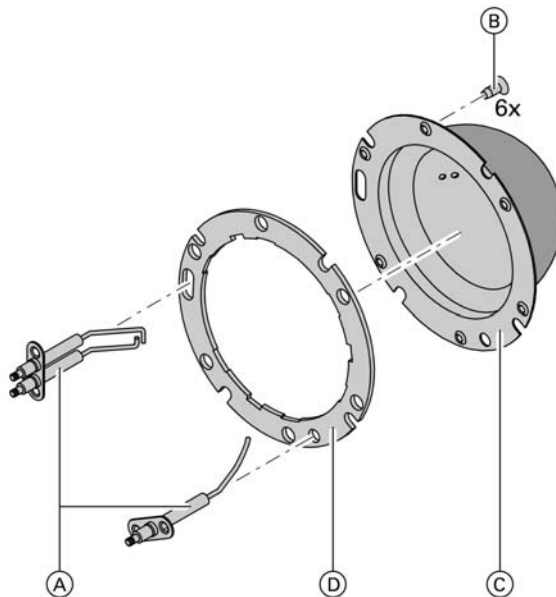
! **Important information**
Prevent damage to the wire mesh.
Never rest the burner on the gauze assembly.

6. Check the burner gasket (K) for damage.
Generally, replace the burner gasket **every two years**.

Further details regarding the individual steps (cont.)

Checking the burner gauze assembly

Replace the burner gauze assembly if the wire mesh is damaged.

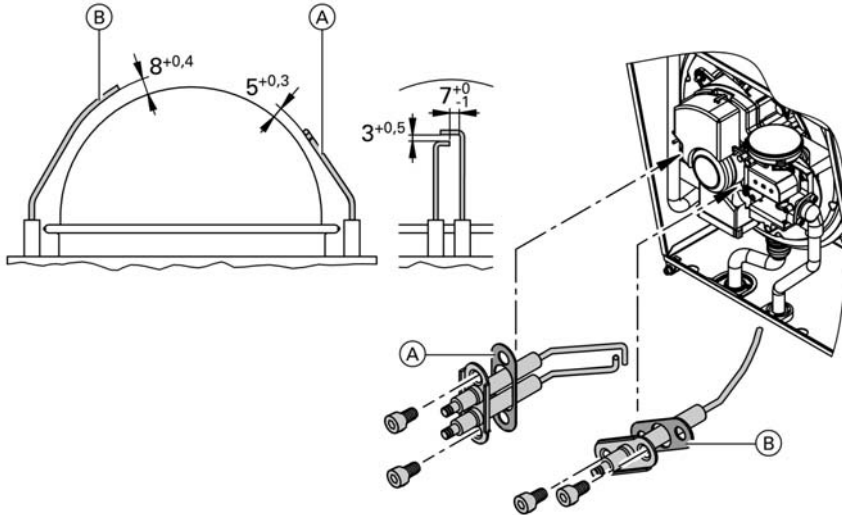


1. Remove electrodes (A).
2. Release the six Torx screws (B) and remove the burner gauze assembly (C).
3. Remove the old gauze assembly gasket (D).
4. Insert a new burner gauze assembly with a new gasket, and secure with six Torx screws.

Note
Torque: 3.5 Nm

Further details regarding the individual steps (cont.)

Checking and adjusting the ignition and ionisation electrodes



Ⓐ Ignition electrodes

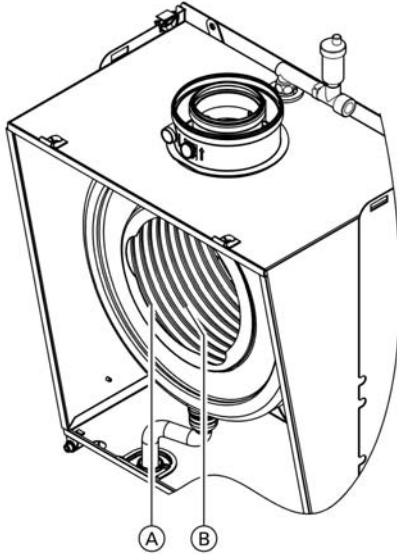
Ⓑ Ionisation electrode

1. Check the electrodes for wear and contamination.
2. Clean the electrodes with a small brush (not with a wire brush) or emery paper.
3. Check all clearances. If the gaps are not as specified or the electrodes are damaged, replace and align the electrodes together with new gaskets Ⓐ. Tighten the electrode fixing screws with 2 Nm.

! **Important information**
Wire mesh
do not damage.

Further details regarding the individual steps (cont.)

Cleaning the combustion chamber/heating surfaces and installing the burner



1. If required, clean combustion chamber (A) and heating surfaces (B) with a brush or flush with water.

! **Important information**
Scratches on parts which are in contact with flue gases, can lead to corrosion. Only use plastic brushes and NOT wire brushes.

Apply a solvent-/potassium-free cleaning agent if residues remain:

- Remove soot deposits with alkaline cleaning agents with additional surfactants (e.g. Fauch 600).
- Remove coatings and surface discolouration (yellow-brown) with slightly acidic, chloride-free cleaning agents based on phosphoric acid (e.g. Antox 75 E).
- Thoroughly flush with water.

Note

Fauch 600 and Antox 75 E are supplied by:

*Hebro Chemie GmbH
Rostocker Straße 40*

D 41199 Mönchengladbach

*☎: Intec Bassersdorf AG
Grindelstrasse 12*

Postfach

CH-8303 Bassersdorf

2. Install the burner and torque nuts diagonally with 4 Nm.



Further details regarding the individual steps (cont.)

3. Secure the gas supply pipe with a new gasket.
4. Check the gas connections for soundness.

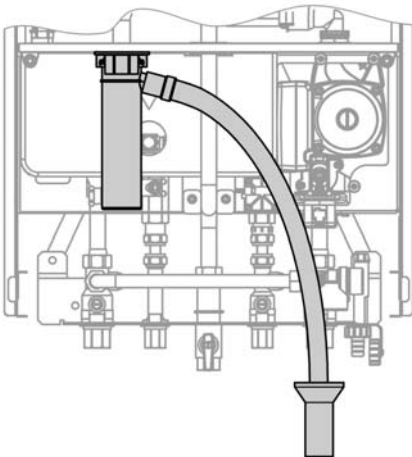


Danger

Escaping gas leads to a risk of explosion.
Check all fittings for soundness.

5. Connect the electrical cables/leads to each corresponding component.

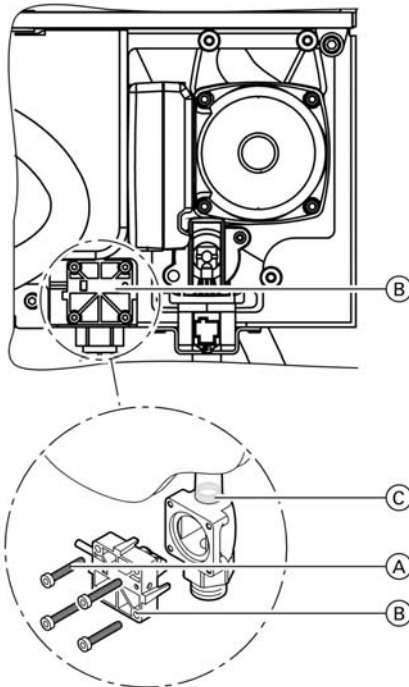
Checking the condensate drain and cleaning the siphon



1. Check at the siphon, that the condensate can freely drain.
2. Remove the retaining clip and the siphon.
3. Clean the siphon.
4. Fill the siphon with water and fit it to the boiler. Position the retaining clip.

Further details regarding the individual steps (cont.)

Flow limiter (only for gas combination boilers)



1. Switch OFF the control unit, shut off the cold water supply line and drain the secondary (DHW) side of the boiler.

2. Release Allen screws (A).

Note

Residual water may escape during dismantling.

3. Remove flow switch (B) and remove flow limiter (C) downwards.

4. Check flow limiter (C); replace in case of excessive calcination or damage.
Secure flow switch (B) (torque: 1 Nm).

Checking all gas equipment for soundness at operating pressure



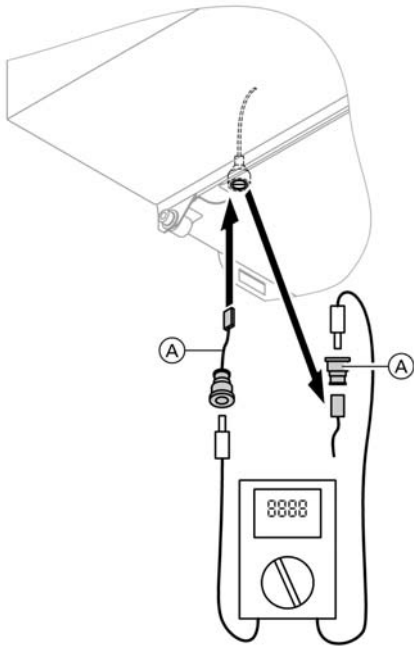
Danger

Escaping gas leads to a risk of explosion.

Check gas equipment for soundness.

Further details regarding the individual steps (cont.)

Checking the ionisation current



Ⓐ Adaptor line (available as accessory)

1. Remove the cable and connect test equipment (adaptor line available as accessory).

2. Set the upper rated output.

Constant temperature control units:

- Press \square and OK simultaneously for at least 2 seconds.
- With \oplus/\ominus in the display, select 2.

Weather-compensated control units:

- Press \square and OK simultaneously for at least 2 seconds.
- With \oplus/\ominus in the display, select "Full load".

Note

The minimum ionisation current should be at least $4 \mu\text{A}$ as soon as the flame is established (approx. 2 - 3 seconds after opening the gas train).

3. If the ionisation current is $< 4 \mu\text{A}$:

- Check the electrode gap, see page 22.
- Check the control unit power supply.

4. After testing, press OK .

5. Record the actual value in the service report.

Further details regarding the individual steps (cont.)

Matching the control unit to the heating system

Note

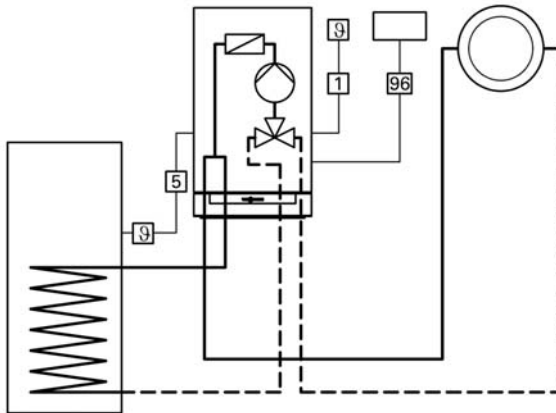
The control unit must be matched to the system equipment. Various system components are automatically recognised by the control unit, and codes are automatically set.

In the following system designs, DHW loading is illustrated with a separate DHW cylinder. The designs also apply to systems where DHW is heated by an integral instantaneous water heater. In that case, the cylinder temperature sensor [5] is factory fitted to the boiler.

- For selection of an appropriate design, see the following diagrams.
- For coding steps, see page 40.

System design 1

With/without DHW loading/heating with 1 heating circuit without mixer A1



- | | |
|---|--|
| <p>[1] Outside temperature sensor (only for weather-compensated control units)
or</p> | <p>[96] Vitotrol 100 (only for constant temperature control units)
[5] Cylinder temperature sensor</p> |
|---|--|

Required coding	Address
Operation with natural gas (as delivered condition) or	1E:0
Operation with LPG	1E:1

Initial start-up, inspection, maintenance

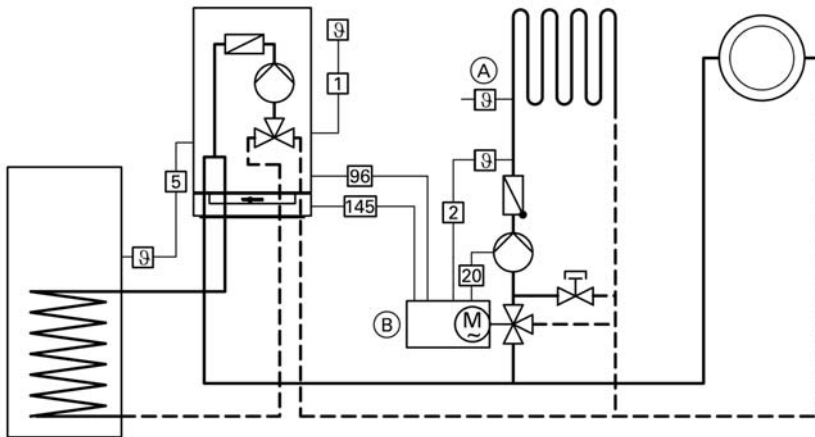
Further details regarding the individual steps (cont.)

System design 2

With/without DHW heating with 1 heating circuit without mixer A1 and 1 heating circuit with mixer M2

Note

The volume flow of the heating circuit without mixer must be at least 30 % greater than the volume flow of the heating circuit with mixer.



- | | | | |
|----|------------------------------|-----|---|
| 1 | Outside temperature sensor | 145 | KM BUS |
| 2 | Flow temperature sensor | A | Maximum temperature controller (underfloor heating) |
| 5 | Cylinder temperature sensor | B | Extension kit for 1 heating circuit with mixer |
| 20 | Heating circuit pump | | |
| 96 | Mains supply (extension kit) | | |

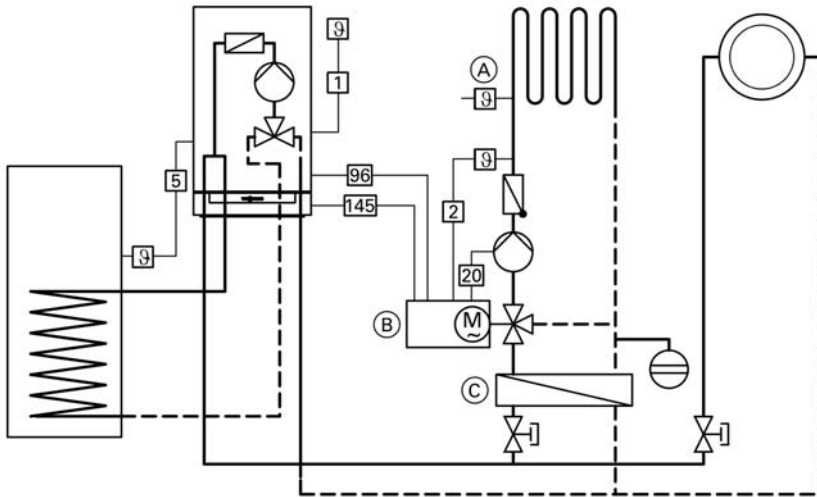
Required coding	Address
Operation with natural gas (as delivered condition)	1E:0
or	
Operation with LPG	1E:1
System with only 1 heating circuit with mixer	
■ with DHW cylinder	00:4
■ without DHW cylinder	00:3

5692 537 GB

Further details regarding the individual steps (cont.)

System design 3

With/without DHW heating with 1 heating circuit without mixer A1 and 1 heating circuit with mixer M2 and system separation



- | | |
|--|---|
| <ul style="list-style-type: none"> 1 Outside temperature sensor 2 Flow temperature sensor 5 Cylinder temperature sensor 20 Heating circuit pump 96 Mains supply (extension kit) 145 KM BUS | <ul style="list-style-type: none"> (A) Maximum temperature controller (underfloor heating) (B) Extension kit for 1 heating circuit with mixer (C) Heat exchanger for system separation |
|--|---|

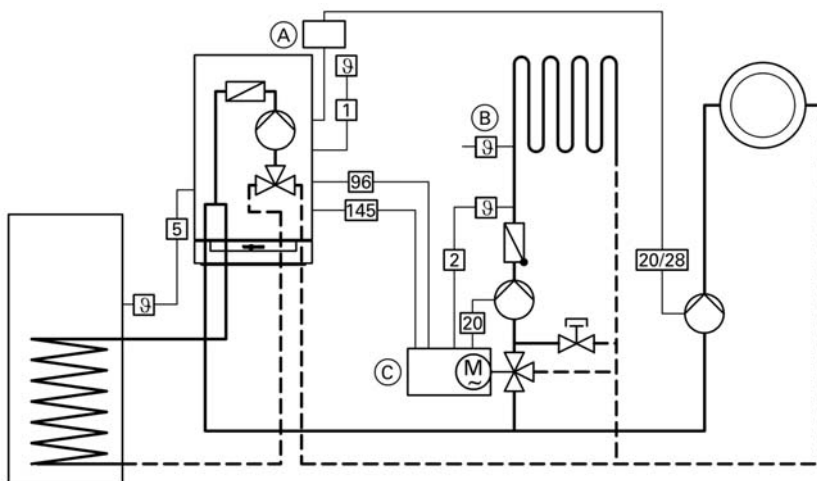
Required coding	Address
Operation with natural gas (as delivered condition) or	1E:0
Operation with LPG	1E:1

Initial start-up, inspection, maintenance

Further details regarding the individual steps (cont.)

System design 4

With/without DHW heating with 1 heating circuit without mixer A1 with separate heating circuit pump and 1 heating circuit with mixer M2



- | | |
|---|---|
| <ul style="list-style-type: none"> 1 Outside temperature sensor 2 Flow temperature sensor 5 Cylinder temperature sensor 20 Heating circuit pump 20/28 Heating circuit pump for 1 heating circuit without mixer (connection via internal extension) or 20 Heating circuit pump for 1 heating circuit without mixer (connection via external extension) | <ul style="list-style-type: none"> 96 Mains supply (extension kit) 145 KM BUS A Internal extension H1 or H2 or External extension H1 B Maximum temperature controller (underfloor heating) C Extension kit for 1 heating circuit with mixer |
|---|---|

Required coding	Address
Function relay of the internal extension: Heating circuit pump	53:2
Operation with natural gas (as delivered condition) or	1E:0
Operation with LPG	1E:1

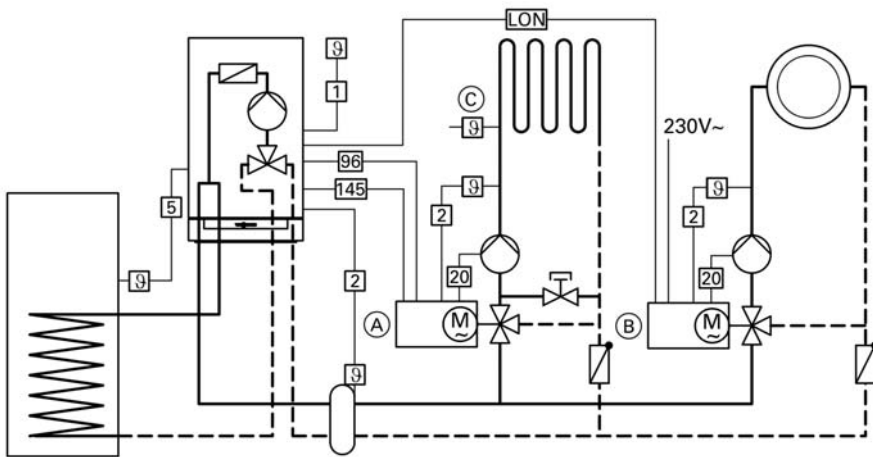
5692_537_GB

Further details regarding the individual steps (cont.)

Required coding	Address
Max. speed of the internal circulation pump in heating mode: 20 %	31:20

System design 5

With/without DHW heating with 1 heating circuit with mixer M2 (with extension kit), 1 heating circuit with mixer (Vitotronic 050) and low loss header



- | | | | |
|-----|------------------------------|-----|---|
| 1 | Outside temperature sensor | (A) | Extension kit for 1 heating circuit with mixer |
| 2 | Flow temperature sensor | (B) | Vitotronic 050 |
| 5 | Cylinder temperature sensor | (C) | Maximum temperature controller (underfloor heating) |
| 20 | Heating circuit pump | | |
| 96 | Mains supply (extension kit) | | |
| 145 | KM BUS | | |

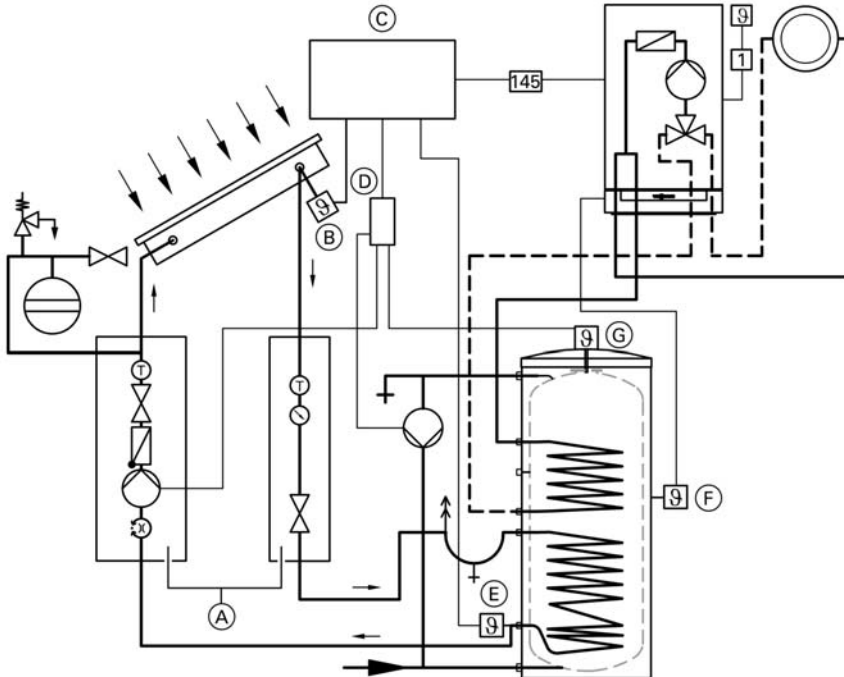
Required coding	Address
1 heating circuit with mixer with extension kit for mixer and 1 heating circuit with mixer with Vitotronic 050	
■ with DHW cylinder	00:4
■ without DHW cylinder	00:3
Operation with natural gas (as delivered condition) or	1E:0
Operation with LPG	1E:1

Initial start-up, inspection, maintenance

Further details regarding the individual steps (cont.)

System design 6

With 1 heating circuit without mixer A1, solar panels and Vitocell-W 100 DHW cylinder (type CVB) installed adjacent to the boiler



- | | | | |
|-----|--|-----|---|
| 1 | Outside temperature sensor | (E) | Cylinder temperature sensor for solar operation |
| 145 | KM BUS | (F) | Cylinder temperature sensor (accessory) |
| (A) | Solar-Divicon | (G) | High limit safety cut-out*1 |
| (B) | Collector temperature sensor | | |
| (C) | Vitosolic 100 or 200 | | |
| (D) | Connection extension (only for Vitosolic 100, accessory) | | |

*1 High limit safety cut-out required only for:

DHW volume smaller than 30 litres/m² absorber surface when using Vitosol 100.

DHW volume smaller than 100 litres/m² absorber surface when using Vitosol 200 or 300.

5692 537 GB

Further details regarding the individual steps (cont.)

Required coding	Address
Set DHW temperature 3 at 40 °C (check delivered condition)	67:40
Operation with natural gas (as delivered condition) or Operation with LPG	1E:0 1E:1

Connecting the control unit to the LON system (only for weather-compensated control units)

The LON communication module (accessory) must be plugged in.



Installation instructions
LON communication module

Note

Data transfer via the LON system can take 2 to 3 minutes.




Setting up LON user numbers

Adjust the user number via coding address 77 (see below).

In a LON system, the same number **cannot** be allocated twice.

Updating the LON user list

Only possible, if all users are connected, and the control unit is encoded as fault manager (code 79:1).

1. Press  and  simultaneously for approx. 2 seconds. User check initiated (see page 34).
2. Press . The user list is updated after approx. 2 minutes. User check completed.

Initial start-up, inspection, maintenance

Further details regarding the individual steps (cont.)

Single boiler system with Vitotronic 050 and Vitocom 300

Boiler control unit	Vitotronic 050	Vitotronic 050	Vitocom
User no. 1 Code 77:1	User no. 10 Code 77:10	User no. 11 Set code 77:11	User no. 99
Control unit is fault manager*1 Code 79:1	Control unit is not fault manager*1 Code 79:0	Control unit is not fault manager*1 Code 79:0	Control unit is fault manager
Sent time via LON Code 7b:1	Time received via LON Set code 81:3	Time received via LON Set code 81:3	Time received via LON
Transmit outside temperature via LON Set code 97:2	Outside temperature is received via LON Set code 97:1	Outside temperature is received via LON Set code 97:1	—

Implementing a user check (in conjunction with the LON system)

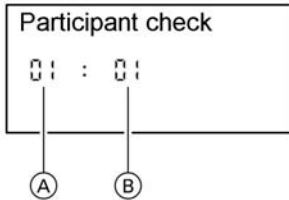
The communication with the system devices connected to the fault manager is tested with a user check.

Preconditions:

- The control unit must be encoded as fault manager (code 79:1).
- The LON user number must be encoded in all control units (see page 33).
- The fault manager user list must be up to date (see page 33).

*1 In each heating system, **only one Vitotronic** may be encoded as fault manager.

Further details regarding the individual steps (cont.)



- (A) Consecutive list number
- (B) User number

1. Press and simultaneously for approx. 2 seconds. User check initiated.
2. Select the required user with and .
3. Activate checking with .
 - "Check" flashes until its completion. The display and all key illuminations of the selected user flash for approx. 60 seconds.
 - "Check OK" flashes during communication between both devices.
 - "Check not OK" flashes if there is no communication between both devices. Check LON connection.
4. For checking further users, proceed as for items 2 and 3.
5. Press and simultaneously for approx. 1 second. User check completed.

Adjusting heating curves (only for weather-compensated control units)

The heating curves illustrate the relationship between the outside temperature and the boiler water or the flow temperature. To put it simply: the lower the outside temperature, the higher the boiler water or flow temperature. The room temperature, again, depends on the boiler water or the flow temperature.

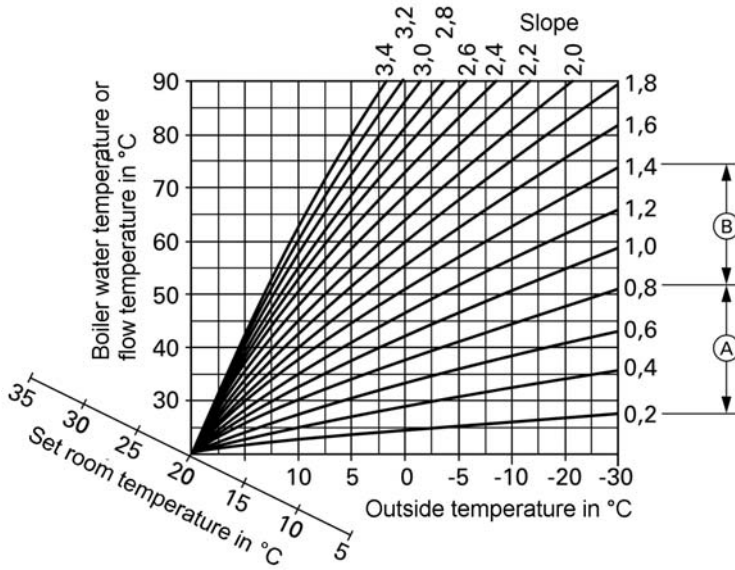
Settings in the delivered condition:

- Slope = 1.4
- Level = 0

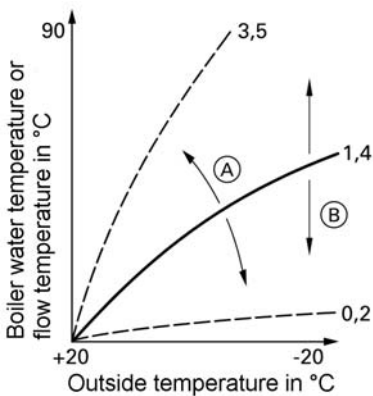
Generally, the slope of the heating curve lies

- in the range of (A) for underfloor heating systems,
- in the range of (B) for low temperature heating systems (according to the Energy Savings Order [Germany]).

Further details regarding the individual steps (cont.)



Changing slope and level



1. Modify the slope in code 1 with coding address d3 (see page 40). Value adjustable from 2 to 35 (equals slope 0.2 to 3.5).
2. Modify the slope in code 1 with coding address d4 (see page 40). Value adjustable from -13 to +40 K.

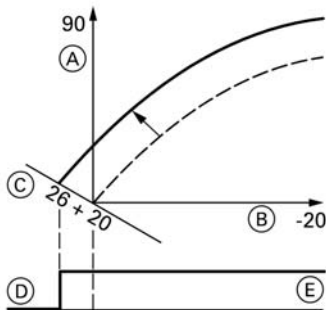
- (A) Changing the slope
- (B) Changing the level

Further details regarding the individual steps (cont.)

Adjusting the set room temperature

Standard room temperature:

1. For two heating circuits – select heating circuit:
 - Press \oplus .
 - 1 \blacksquare flashes on the display.
 - Select heating circuit A1 (heating circuit without mixer):
Press OK .
 - Select heating circuit M2 (heating circuit with mixer):
 - Press \oplus .
 - 2 \blacksquare flashes on the display.
 - Press OK .



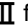

2. Adjust the set day temperature with rotary selector $\downarrow \star$.
The value will be automatically adopted after approx. 2 seconds. Accordingly, the heating curve is adjusted along set room temperature axis C , which results in modified start/shutdown characteristics of the heating circuit pumps, if the heating circuit pump logic is activated.

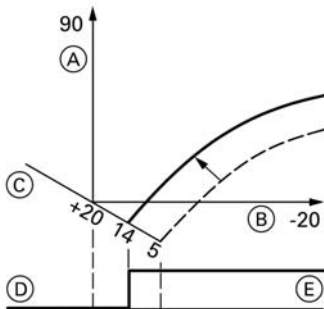
Example 1: Modifying the standard room temperature from 20 °C to 26 °C


- A Boiler water or flow temperature in °C
- B Outside temperature in °C
- C Set room temperature in °C
- D Heating circuit pump OFF
- E Heating circuit pump ON

Further details regarding the individual steps (cont.)

Reduced room temperature:

1. For two heating circuits – select heating circuit:
 - Press \oplus .
 - 1  flashes on the display.
 - Select heating circuit A1 (heating circuit without mixer):
Press OK .
 - Select heating circuit M2 (heating circuit with mixer):
 - Press \oplus .
 - 2  flashes on the display.
 - Press OK .



2. Call up the set night temperature with .
3. Change this value with \oplus and \ominus .
4. Confirm the set value with OK .

Example 2: Modifying the reduced room temperature from 5 °C to 14 °C.

- (A) Boiler water or flow temperature in °C
- (B) Outside temperature in °C
- (C) Set room temperature in °C
- (D) Heating circuit pump OFF
- (E) Heating circuit pump ON

Further details regarding the individual steps (cont.)

Instructing the system user

The system installer must hand the operating instructions to the system user and instruct them in the operation of the system.

Scanning and resetting the "Maintenance" display

The red fault indicator flashes when the limits set via coding address 21 and 23 have been reached. As regards the operating interface display:

- For constant temperature control units, the hours run (subject to setting) or the given time interval and the clock symbol flashes.
- For weather-compensated control units "Maintenance" flashes.

Note

Set code 24:1 and then code 24:0, if maintenance is implemented before maintenance is displayed; the set maintenance parameters for hours run and interval are then reset to 0.

1. Press **i**.
Maintenance scan is activated.
2. Scan maintenance messages with **+** or **-**.
3. Press **OK**, for weather-compensated control units also confirm the display "Acknowledge: Yes" with **OK**.
"Maintenance" is cancelled from the display, and the red fault indicator continues to flash.

Note

*An acknowledged maintenance message can be redisplayed by pressing **OK** (approx. 3 seconds).*

After maintenance has been carried out

1. Reset code 24:1 to 24:0.
The red fault indicator is extinguished.













Note

If coding address 24 is not reset, a new "Maintenance" message will be displayed on Monday at 07:00 h.

2. If required:
 - Press **i**.
 - Reset burner hours run, burner starts and consumption (see page 71).
 - Press **i**.

Code 1

Call up code 1

1. Press  and  simultaneously for approx. 2 seconds.
2. Select the required coding address with  or ; the address flashes. Confirm with ; the value flashes.
3. Change this value with  and ; confirm with . The display briefly shows "adopted", then the address flashes again. Select additional addresses (if required) with  or .
4. Press  and  simultaneously for approx. 1 second. Coding is terminated.

Note

Codes are displayed in plain text on weather-compensated control units. Codes, which are not relevant because of the equipment level of your heating system or because of settings of other codes, will not be displayed.

Code 1 (cont.)**Summary****Codes**

Coding in the as delivered condition Address: value	Function mode	Coding change Address: value	Possible change
System design			
00:1	System design 1: 1 heating circuit without mixer A1, without DHW heating	00:2	System design 1, 6: 1 heating circuit without mixer A1, with DHW heating
		00:3	System design 5: 1 mixer circuit M2, without DHW heating
		00:4	System design 5: 1 mixer circuit M2, with DHW heating
		00:5	System design 2, 3, 4: 1 heating circuit without mixer A1 and 1 mixer circuit M2, without DHW heating
		00:6	System design 2, 3, 4: 1 heating circuit without mixer A1, 1 mixer circuit M2 with DHW heating
Max. boiler temp.			
06:...	Maximum limit of the boiler water temperature, defaulted by the boiler coding card	06:20 to 06:127	Maximum limit of the boiler water temperature within the ranges defaulted by the boiler
Gas type			
1E:0	Operation with natural gas	1E:1	Operation with LPG
Venting/filling			
2F:0	Venting/filling program disabled	2F:1	Venting program enabled
		2F:2	Filling program enabled

Coding

Code 1 (cont.)

Coding in the as delivered condition Address: value	Function mode	Coding change Address: value	Possible change
User no.			
77:1	LON user number	77:2 to 77:99	LON user number, adjustable from 1 to 99: 1 - 4 = boiler 5 = cascade 10 - ... = Vitotronic 050 99 = Vitocom Note <i>Allocate each number only once.</i>
Summer econ. A1			
A5:5	*1With heating circuit pump logic function	A5:0	Without heating circuit pump logic function
Summer econ. M2			
A5:5	*1With heating circuit pump logic function	A5:0	Without heating circuit pump logic function
Min. flow temp. A1			
C5:20	Electronic limit of the minimum flow temperature: 20 °C	C5:1 to C5:127	Minimum limit adjustable from 1 to 127 °C
Min. flow temp. M2			
C5:20	Electronic limit of the minimum flow temperature: 20 °C	C5:1 to C5:127	Minimum limit adjustable from 1 to 127 °C
Max. flow temp. A1			
C6:75	*1Electronic maximum flow temperature limit at 75 °C	C6:1 to C6:127	Maximum limit adjustable from 1 to 127 °C
Max. flow temp. M2			
C6:75	*1Electronic maximum flow temperature limit at 75 °C	C6:1 to C6:127	Maximum limit adjustable from 1 to 127 °C


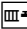

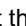


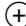


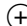


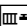
*1Only for weather-compensated control units.



Code 1 (cont.)

Coding in the as delivered condition Address: value	Function mode	Coding change Address: value	Possible change
Slope A1			
d3:14	*1Heating curve slope = 1.4	d3:2 to d3:35	Heating curve slope adjustable from 0.2 to 3.5 (see page 35)
Slope M2			
d3:14	*1Heating curve slope = 1.4	d3:2 to d3:35	Heating curve slope adjustable from 0.2 to 3.5 (see page 35)
Level A1			
d4:0	*1Heating curve level = 0	d4:-13 to d4:40	Heating curve level adjustable from -13 to 40 (see page 35)
Level M2			
d4:0	*1Heating curve level = 0	d4:-13 to d4:40	Heating curve level adjustable from -13 to 40 (see page 35)

Code 2**Calling up code 2**

1. Press  and  simultaneously for approx. 2 seconds; confirm with .
2. Select the required coding address with  or ; the address flashes. Confirm with ; the value flashes.
3. Change this value with  and ; confirm with . The display briefly shows "adopted", then the address flashes again. Select additional addresses (if required) with  or .
4. Press  and  simultaneously for approx. 1 second. Coding is terminated.

*1Only for weather-compensated control units.

Coding

Code 2 (cont.)

Overall summary

The coding addresses are grouped in accordance with the following **function ranges**. The respective function range is displayed.

Scroll through the ranges in the following sequence with ⊕ or ⊖.

Function range	Coding addresses
System design	00
Boiler/burner	06 to 54
DHW	56 to 73
General	76 to 9F
Boiler circuit (heating circuit A1 without mixer)	A0 to F7
Mixer circuit (heating circuit M2 with mixer)	A0 to F7

Code 2 (cont.)**Codes**

Coding in the as delivered condition Address: value	Function mode	Coding change Address: value	Possible change
System design			
00:1	System design 1: 1 heating circuit without mixer A1, without DHW heating	00:2	System design 1, 6: 1 heating circuit without mixer A1, with DHW heating
		00:3	System design 5: 1 mixer circuit M2, without DHW heating
		00:4	System design 5: 1 mixer circuit M2, with DHW heating
		00:5	System design 2, 3, 4: 1 heating circuit without mixer A1 and 1 mixer circuit M2, without DHW heating
		00:6	System design 2, 3, 4: 1 heating circuit without mixer A1, 1 mixer circuit M2 with DHW heating
Boiler/burner			
06:...	Maximum limit of the boiler water temperature, defaulted by the boiler coding card	06:20 to 06:127	Maximum limit of the boiler water temperature within the ranges defaulted by the boiler
1E:0	Operation with natural gas	1E:1	Operation with LPG
21:0	No maintenance indication Burner	21:1 to 21:100	The number of hours run before the burner should be serviced is adjustable from 100 to 10000 hours (each step represents 100 hours)



Coding

Code 2 (cont.)

Coding in the as delivered condition Address: value	Function mode	Coding change Address: value	Possible change
23:0	No time interval for burner maintenance	23:1 to 23:24	Time interval adjustable from 1 to 24 months
24:0	No "Maintenance" display	24:1	"Maintenance" display (the address is automatically set and must be manually reset after maintenance has been completed)
25:0	*1No recognition of outside temperature sensor or remote monitoring (only in ①)	25:1	Recognition of outside temperature sensor and fault monitoring
28:0	No burner interval ignition	28:1	The burner is forced ON once every 24 hours
2E:0	Without external extension	2E:1	Including external extension (automatical adjustment on connection)
2F:0	Ventilation program/filling program disabled	2F:1	Venting program enabled
		2F:2	Filling program enabled
30:1	Internal variable speed circulation pump (automatic adjustment)	30:0	Internal circulation pump without variable speed (e.g. temporarily for service)
31:65	Set speed of the internal circulation pump when operated as boiler circuit pump 65 %, defaulted by the boiler coding card	31:0 to 31:100	Set speed adjustable from 0 to 100 %
32:0	Signal "External lock-out" on circulation pumps - all pumps are controlled	32:1 to 32:15	Signal "External lockout" on circulation pumps - see the following table

*1Only for constant temperature control units.

Code 2 (cont.)

Coding	Internal circulation pump	Heating circuit pump Heating circuit without mixer	Heating circuit pump Heating circuit with mixer	Cylinder loading pump
0	Control funct.	Control funct.	Control funct.	Control funct.
1	Control funct.	Control funct.	Control funct.	OFF
2	Control funct.	Control funct.	OFF	Control funct.
3	Control funct.	Control funct.	OFF	OFF
4	Control funct.	OFF	Control funct.	Control funct.
5	Control funct.	OFF	Control funct.	OFF
6	Control funct.	OFF	OFF	Control funct.
7	Control funct.	OFF	OFF	OFF
8	OFF	Control funct.	Control funct.	Control funct.
9	OFF	Control funct.	Control funct.	OFF
10	OFF	Control funct.	OFF	Control funct.
11	OFF	Control funct.	OFF	OFF
12	OFF	OFF	Control funct.	Control funct.
13	OFF	OFF	Control funct.	OFF
14	OFF	OFF	OFF	Control funct.
15	OFF	OFF	OFF	OFF

Coding in the as delivered condition Address: value	Function mode	Coding change Address: value	Possible change
Boiler/burner			
34:0	Signal "External demand" on circulation pumps - all pumps are controlled	34:1 to 34:23	Signal "External demand" on circulation pumps - see the following table

Code 2 (cont.)

Coding	Internal circulation pump	Heating circuit pump Heating circuit without mixer	Heating circuit pump Heating circuit with mixer	Cylinder loading pump
0	Control funct.	Control funct.	Control funct.	Control funct.
1	Control funct.	Control funct.	Control funct.	OFF
2	Control funct.	Control funct.	OFF	Control funct.
3	Control funct.	Control funct.	OFF	OFF
4	Control funct.	OFF	Control funct.	Control funct.
5	Control funct.	OFF	Control funct.	OFF
6	Control funct.	OFF	OFF	Control funct.
7	Control funct.	OFF	OFF	OFF
8	OFF	Control funct.	Control funct.	Control funct.
9	OFF	Control funct.	Control funct.	OFF
10	OFF	Control funct.	OFF	Control funct.
11	OFF	Control funct.	OFF	OFF
12	OFF	OFF	Control funct.	Control funct.
13	OFF	OFF	Control funct.	OFF
14	OFF	OFF	OFF	Control funct.
15	OFF	OFF	OFF	OFF
16	ON	Control funct.	Control funct.	Control funct.
17	ON	Control funct.	Control funct.	OFF
18	ON	Control funct.	OFF	Control funct.
19	ON	Control funct.	OFF	OFF
20	ON	OFF	Control funct.	Control funct.

Code 2 (cont.)

Coding	Internal circulation pump	Heating circuit pump Heating circuit without mixer	Heating circuit pump Heating circuit with mixer	Cylinder loading pump
21	ON	OFF	Control funct.	OFF
22	ON	OFF	OFF	Control funct.
23	ON	OFF	OFF	OFF

Coding in the as delivered condition Address: value	Function mode	Coding change Address: value	Possible change
--	----------------------	---	------------------------

Boiler/burner

52:0	Without flow temperature sensor for low loss header	52:1	With flow temperature sensor for low loss header (automatic adjustment upon recognition)
53:1	Function connection ^[28] of the internal extension: DHW circulation pump	53:0	Function connection ^[28] : Central fault
		53:2	Function connection ^[28] : External heating circuit pump (heating circuit A1)
		53:3	Function connection ^[28] : External cylinder loading pump
54:0	Without solar control unit	54:1	With Vitosolic 100
		54:2	With Vitosolic 200 (automatic adjustment on recognition)

Domestic hot water

56:0	DHW temperature adjustable from 10 to 60 °C	56:1	DHW temperature adjustable from 10 to above 60 °C (subject to boiler coding card; only for gas fired boilers) Observe the max. permissible DHW temperature
------	---	------	---



Code 2 (cont.)

Coding in the as delivered condition Address: value	Function mode	Coding change Address: value	Possible change
58:0	Without auxiliary function for DHW loading	58:1 to 58:95	Input of DHW set value 2; adjustable from 1 to 95 °C (observe coding address 56)
59:0	DHW cylinder loading: Starting point -2.5 K Stopping point +2.5 K	59:1 to 59:10	Starting point adjustable from 1 to 10 K below the set value
5b:0	DHW cylinder directly connected to the boiler	5b:1	DHW cylinder connected downstream of the low loss header
60:20	*1During DHW loading, the boiler water temperature is up to 20 K higher than the set DHW temperature	60:5 to 60:25	The difference between the boiler water temperature and the set DHW temperature is adjustable from 5 to 25 K
62:2	Circulation pump with 2 minutes run-on time after cylinder loading	62:0	Circulation pump without run-on
		62:1 to 62:15	Run-on time adjustable from 1 to 15 minutes
63:0	*2Without auxiliary function for DHW loading	63:1	Additional function: 1 x daily
		63:2 to 63:14	Every 2 to every 14 days
		63:15	2 x daily
65:...	Information regarding the type of diverter valve (not adjustable)	65:0	Without diverter valve
		65:1	Diverter valve by Viessmann
		65:2	Diverter valve by Wilo
		65:3	Diverter valve by Grundfos
67:40	In conjunction with Vitosolic solar control unit - set DHW value 3	67:0 to 67:60	DHW set value adjustable from 0 to 60 °C

*1Only for weather-compensated control units.

*2Only for constant temperature control units.

Code 2 (cont.)

Coding in the as delivered condition Address: value	Function mode	Coding change Address: value	Possible change
6C:100	Set speed internal DHW loading pump 100 %	6C:0 to 6C:100	Set speed adjustable from 0 to 100 %
6F:100	Max. output during DHW loading 100 %, defaulted by the boiler coding card	6F:0 to 6F:100	Max. output during DHW loading adjustable from 0 to 100 %
71:0	*1DHW circulation pump: According to DHW time program: ON (Vitolrol 300 enables separate switching times)	71:1	OFF during DHW loading to set value 1
		71:2	ON during DHW loading to set value 1
72:0	*1DHW circulation pump: According to DHW time program: ON	72:1	OFF during DHW loading to set value 2
		72:2	ON during DHW loading to set value 2
73:0	*1DHW circulation pump: According to DHW time program: ON	73:1 to 73:6	During the time program 1x/h ON for 5 minutes up to 6x/h ON for 5 minutes
		73:7	Constantly ON
General			
76:0	Without LON communication module	76:1	With LON communication module; automatic recognition

Coding

Code 2 (cont.)

Coding in the as delivered condition Address: value	Function mode	Coding change Address: value	Possible change
77:1	LON user number	77:2 to 77:99	LON user number, adjustable from 1 to 99: 1 - 4 = boiler 5 = cascade 10 - ... = Vitotronic 050 99 = Vitocom Note <i>Allocate each number only once.</i>
79:1	*1Control unit is fault manager	79:0	Control unit is not fault manager
7b:1	*1Send time to LON	7b:0	Do not send time to LON
7F:1	*1Detached house	7F:0	Multi-occupancy house. Separate adjustment for holiday program and time program for DHW loading, as option.
80:1	With 5 seconds' time delay for fault message; message will be issued, if a fault persists for at least 5 seconds	80:0	Without time delay
		80:2 to 80:199	Time delay adjustable from 10 to 995; 1 step = 5 s
81:1	Automatic summer/winter changeover	81:0	Manual summer/winter changeover
		81:2	The application of the radio clock module will be recognised automatically
		81:3	Accept time via LON
88:0	Temperature display in Celsius	88:1	Temperature display in Fahrenheit
8A:175	Do not adjust		

*1Only for weather-compensated control units.

Code 2 (cont.)

Coding in the as delivered condition Address: value	Function mode	Coding change Address: value	Possible change
90:128	Time constant for calculating the adjusted outside temperature 21.3 hours	90:0 to 90:199	Quick (low values) or slow (high values) matching of flow temperature subject to set value if the outside temperature changes; 1 step = 10 min.
91:0	*1No external operating mode changeover via external extension	91:1	External heating program changeover applies to heating circuit without mixer
		91:2	External heating program changeover applies to heating circuit with mixer
		91:3	External heating program changeover applies to heating circuit without mixer and heating circuit with mixer
95:0	Without Vitocom 100 communication interface	95:1	With Vitocom 100 communication interface; automatic recognition
97:0	*1The outside temperature of the sensor connected to the control unit is utilised internally	97:1	Outside temperature is adopted by the LON BUS
		97:2	The outside temperature of the sensor connected to the control unit will be utilised internally and transmitted via LON BUS to any connected Vitotronic 050
98:1	Viessmann system numbers (in conjunction with monitoring of several systems via Vitocom 300)	98:1 to 98:5	System number adjustable from 1 to 5



Coding

Code 2 (cont.)

Coding in the as delivered condition Address: value	Function mode	Coding change Address: value	Possible change
9b:0	No minimum set boiler water temperature in case of external demand	9b:1 to 9b:127	Set temperature adjustable from 1 to 127 °C
9C:20	*1Monitoring LON users When there is no response from a user, values defaulted inside the control unit continue to be used for a further 20 minutes. Only then will a fault message be triggered.	9C:0	No monitoring
		9C:5 to 9C:60	Time adjustable from 5 to 60 minutes
9F:8	*1Differential temperature 8 K; only in conjunction with a mixer circuit	9F:0 to 9F:40	Differential temperature adjustable from 0 to 40 K
Boiler circuit, mixer circuit			
A0:0	*1Without remote control	A0:1	With Vitotrol 200 (automatic recognition)
		A0:2	With Vitotrol 300 (automatic recognition)



*1Only for weather-compensated control units.

Code 2 (cont.)

Coding in the as delivered condition Address: value	Function mode	Coding change Address: value	Possible change
A3:2	<p>*1Outside temperature below 1 °C: Heating circuit pump ON Outside temperature above 3 °C: Heating circuit pump OFF</p> <p>Note <i>When selecting a value below 1 °C there will be a risk of pipes outside the thermal insulation envelope of the house freezing-up. The standby mode, in particular, should be observed, e.g. during holidays.</i></p>	A3:-9 to A3:15	Heating circuit pump ON/ OFF (see the following table)

Parameters Address A3:...	Heating circuit pump	
	ON at	OFF at
-9	-10 °C	-8 °C
-8	-9 °C	-7 °C
-7	-8 °C	-6 °C
-6	-7 °C	-5 °C
-5	-6 °C	-4 °C
-4	-5 °C	-3 °C
-3	-4 °C	-2 °C
-2	-3 °C	-1 °C
-1	-2 °C	0 °C
0	-1 °C	1 °C
1	0 °C	2 °C
2	1 °C	3 °C
to	to	

*1Only for weather-compensated control units.

Coding

Code 2 (cont.)

Parameters Address A3:...	Heating circuit pump	
	ON at	OFF at
15	14 °C	16 °C

Coding in the as delivered condition Address: value	Function mode	Coding change Address: value	Possible change
---	---------------	------------------------------------	-----------------

Boiler circuit, mixer circuit

A4:0	*1With frost protection	A4:1	No frost protection, adjustment only possible if code A3:-9 is selected Note <i>When selecting a value below 1 °C there will be a risk of pipes outside the thermal insulation envelope of the house freezing-up. The standby mode, in particular, should be observed, e.g. during holidays.</i>
A5:5	*1With heating circuit pump logic function (economy circuit): Heating circuit pump OFF, if the outside temperature (AT) is 1 K higher than the set room temperature (RT _{Set}) AT > RT _{Set} + 1 K	A5:0	Without heating circuit pump logic function
		A5:1 to A5:15	With heating circuit pump logic function: Heating circuit pump OFF, if (see the following table)

Parameter address A5:...	With heating circuit pump logic function: Heating circuit pump OFF, if
1	AT > RT _{Set} + 5 K
2	AT > RT _{Set} + 4 K

*1 Only for weather-compensated control units.



Code 2 (cont.)

Parameter address A5:...	With heating circuit pump logic function: Heating circuit pump OFF, if
3	$AT > RT_{Set} + 3 K$
4	$AT > RT_{Set} + 2 K$
5	$AT > RT_{Set} + 1 K$
6	$AT > RT_{Set}$
7	$AT > RT_{Set} - 1 K$
to 15	$AT > RT_{Set} - 9 K$

Coding in the as delivered condition Address: value	Function mode	Coding change Address: value	Possible change
Boiler circuit, mixer circuit			
A6:36	*1Extended economy circuit inactive	A6:5 to A6:35	Extended economy circuit enabled, i.e. the burner and heating circuit pump will be switched OFF, and the mixer will be closed at a variable value, which is adjustable between 5 and 35 °C plus 1 °C. This value is based on the adjusted outside temperature, comprising the actual outside temperature and a time constant, which takes the cooling down of an average building into consideration.

Coding

Code 2 (cont.)

Coding in the as delivered condition Address: value	Function mode	Coding change Address: value	Possible change
A7:0	*1Without mixer economy function	A7:1	With mixer economy function (extended heating circuit pump logic): Heating circuit pump also OFF, if the mixer was closed for longer than 20 minutes. Heating pump ON, <ul style="list-style-type: none"> ■ if the mixer changes to control mode or ■ after cylinder loading (for 20 min.) or ■ if there is a risk of frost.
A8:1	*1Heating circuit M2 (mixer circuit) creates a demand for the internal circulation pump	A8:0	Heating circuit M2 (mixer circuit) creates no demand for the internal circulation pump
A9:7	*1With pump idle period: Heating circuit pump OFF in case of set value modification (by changing the operating mode or changing the set room temperature)	A9:0	*1Without pump idle period
		A9:1 to A9:15	With pump idle time, adjustable from 1 to 15



*1Only for weather-compensated control units.

Code 2 (cont.)

Coding in the as delivered condition Address: value	Function mode	Coding change Address: value	Possible change
b0:0	*1With remote control: Heating mode/reduced mode: Weather-compensated*2	b0:1	Heating mode: Weather-compensated Reduced mode: With room temperature hook-up
		b0:2	Heating mode: With room temperature hook-up Reduced mode: Weather-compensated
		b0:3	Heating mode/reduced mode: With room temperature hook-up
b2:8	With remote control unit and for the heating circuit, heating with room temperature hook-up must be encoded: Room influence factor 8*2	b2:0	Without room influence
		b2:1 to b2:64	Room influence factor adjustable from 1 to 64
b5:0	*1With remote control: Without room temperature-dependent heating circuit pump logic function*2	b5:1 to b5:8	Heating circuit pump logic function - see the following table

Parameter address b5:...	With heating circuit pump logic function: Heating circuit pump OFF, if
1:	active $RT_{Actual} > RT_{Set} + 5 \text{ K}$; passive $RT_{Actual} < RT_{Set} + 4 \text{ K}$
2:	active $RT_{Actual} > RT_{Set} + 4 \text{ K}$; passive $RT_{Actual} < RT_{Set} + 3 \text{ K}$
3:	active $RT_{Actual} > RT_{Set} + 3 \text{ K}$; passive $RT_{Actual} < RT_{Set} + 2 \text{ K}$
4:	active $RT_{Actual} > RT_{Set} + 2 \text{ K}$; passive $RT_{Actual} < RT_{Set} + 1 \text{ K}$
5:	active $RT_{Actual} > RT_{Set} + 1 \text{ K}$; passive $RT_{Actual} < RT_{Set}$
6:	active $RT_{Actual} > RT_{Set}$; passive $RT_{Actual} < RT_{Set} - 1 \text{ K}$

*1Only for weather-compensated control units.

*2Change the coding for the heating circuit without mixer A1 or for mixer circuit M2, if the remote control unit affects that heating circuit.

Code 2 (cont.)

Parameter address b5:...	With heating circuit pump logic function: Heating circuit pump OFF, if
7:	active $RT_{Actual} > RT_{Set} - 1 \text{ K}$; passive $RT_{Actual} < RT_{Set} - 2 \text{ K}$
8:	active $RT_{Actual} > RT_{Set} - 2 \text{ K}$; passive $RT_{Actual} < RT_{Set} - 3 \text{ K}$

Coding in the as delivered condition Address: value	Function mode	Coding change Address: value	Possible change
Boiler circuit, mixer circuit			
C5:20	*1Electronic minimum flow temperature limit in standard mode 20 °C	C5:1 to C5:127	Minimum temperature limit in standard mode adjustable from 1 to 127 °C
C6:74	*1Electronic maximum flow temperature limit 74 °C	C6:0 to C6:127	Maximum temperature limit adjustable from 1 to 127 °C
d3:14	*1Heating curve slope = 1.4	d3:2 to d3:35	Heating curve slope adjustable from 0.2 to 3.5 (see page 35)
d4:0	*1Heating curve level = 0	d4:-13 to d4:40	Heating curve level adjustable from -13 to 40 (see page 35)
d5:0	*1The external operating mode changeover changes the heating program to "Constant operation with reduced room temperature"	d5:1	The external operating mode changeover changes the heating program to "Constant operation with standard room temperature"
E1:1	*1With remote control: Set day value is adjustable at the remote control unit from 10 to 30 °C	E1:0	Set day value adjustable from 3 to 23 °C
		E1:2	Set day value adjustable from 17 to 37 °C
E2:50	*1With remote control: No display correction of the actual room temperature	E2:0 to E2:49	Display correction - 5 K or Display correction - 0.1 K
		E2:51 to	Display correction +0.1 K or

*1Only for weather-compensated control units.

Code 2 (cont.)

Coding in the as delivered condition Address: value	Function mode	Coding change Address: value	Possible change
		E2:99	Display correction +4.9 K
E5:0	*2Without variable speed circuit pump	E5:1	With variable speed circuit pump; automatic recognition
E6:65	*2Max. speed of the variable speed pump = 65 % of max. speed in standard mode	E6:0 to E6:100	Maximum speed adjustable from 0 to 100 % of max. speed
E7:30	*2Min. speed of the variable speed pump = 30 % of max. speed	E7:0 to E7:100	Minimum speed adjustable from 0 to 100 % of max. speed
E8:1	*2Min. speed subject to the setting in coding address E9	E8:0	Speed subject to the setting in coding address E7
E9:45	*2Speed of the variable speed pump = 45 % of max. speed in reduced mode	E9:0 to E9:100	Speed adjustable from 0 to 100 % of max. speed

Mixer circuit

F1:0	Screed drying function enabled (only for weather-compensated control unit).	F1:1 to F1:5	<p>Screed drying function adjustable in accordance with 5 optional temperature time profiles (see page 106)</p> <p>Note <i>Observe the screed drying supplier's instructions.</i></p> <p>Observe DIN 4725-2 or local regulations. The report to be provided by the heating contractor must contain the following heat-up details:</p>
------	---	--------------	--

Code 2 (cont.)

Coding in the as delivered condition Address: value	Function mode	Coding change Address: value	Possible change
			<ul style="list-style-type: none"> ■ Heat-up data with respective flow temperatures ■ Max. flow temperature achieved ■ Operating condition and outside temperature during handover. <p>The function continues after power failure or after the control unit has been switched OFF. The heating program III ↻ will be started, after the screed-drying function has been completed or if the address is manually set to 0.</p>
		F1:6 to F1:15	Constant flow temperature 20 °C
F2:8	*3Time limit for party operation 8 hours or external operating mode changeover via push button*4	F2:0	No time limit for party mode
		F2:1 to F2:12	Time limit adjustable from 1 to 12 hours*4
F5:12	Run-on time of the internal circulation pump in heating mode	F5:0	No run-on time of the internal circulation pump
		F5:1 to F5:20	Run-on time of the internal circulation pump adjustable from 1 to 20 minutes
F6:0	*5In "DHW only" operat-	F6:1	In "DHW only" operating

*3Only for weather-compensated control units.

*4In heating program III ↻, the party mode ends **automatically** when changing over to operation with standard room temperature.


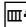




*5Only for constant temperature control units.



Code 2 (cont.)

Coding in the as delivered condition Address: value	Function mode	Coding change Address: value	Possible change
	ing mode, the internal circulation pump is permanently OFF	to F6:24	mode, the internal circulation pump will be started 1 to 24 times per day for 10 minutes respectively
		F6:25	In "DHW only" operating mode, the internal circulation pump is permanently ON
F7:10	*6In "Standby mode", the internal circulation pump will be started 10 times per day for 10 minutes respectively	F7:0	In "Standby mode", the internal circulation pump is permanently OFF
		F7:1 to F7:24	In "Standby mode", the internal circulation pump will be started 1 to 24 times per day for 10 minutes respectively
		F7:25	*6In "Standby mode", the internal circulation pump is permanently ON

Resetting the coding to the delivered condition

- Press  and  simultaneously for approx. 2 seconds.
- Press .
Confirm "Basic setting? Yes" with .
With  or , you can select "Basic setting? Yes" or "Basic setting? No".


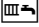



Service scans

Service level summary

Function	Key combination	Exit	Page
Temperatures, boiler coding card and brief scans	Press and simultaneously for approx. 2 seconds	Press	65
Relay test	Press and simultaneously for approx. 2 seconds	Press	69
Max. output (heating mode)	Press and simultaneously for approx. 2 seconds	Press	18
Operating condition	Press	Press	71
Maintenance scan	(if "Maintenance" flashes)	Press	39
Adjusting the display contrast	Press and simultaneously; display darkens	–	–
	Press and simultaneously; display becomes lighter	–	–
Fault history	Press and simultaneously for approx. 2 seconds	Press	74
User check (in conjunction with LON system)	Press and simultaneously for approx. 2 seconds	Press and simultaneously	34
Emissions test function	Press and simultaneously for approx. 2 seconds	Press and simultaneously	–
Coding level 1 Plain text display	Press and simultaneously for approx. 2 seconds	Press and simultaneously	40
Coding level 2 Numerical display	Press and simultaneously for approx. 2 seconds	Press and simultaneously	43


Temperatures, boiler coding card and brief scans

Weather-compensated control units







1. Press  and  simultaneously for approx. 2 seconds.
2. Select the required scan with  and .
3. Press .

The following values can be scanned, subject to the actual equipment level:

- Slope A1 – Level A1
- Slope M2 – Level M2
- Adj. outside temp.
- Outside temp. actual
- Boiler temp., set
- Boiler temp., actual
- DHW temp., set
- DHW temp., actual
- DHW outlet temp., actual
- DHW outlet temp., set
- Flow temperature, set
- Flow temperature, actual
- Mixed flow temp., set
- Mixed flow temp., actual
- Boiler coding card
- Brief scan 1 to Brief scan 8

The adjusted outside temperature can be reset to the current outside temperature with .

Heating circuit with mixer
 Heating circuit with mixer
 Low loss header
 Low loss header

	Display screen					
Brief scan						
Boiler coding card	N/A	N/A	X	X	X	X
1	Software version Control unit		Version Boiler (EEPROM)		Version Burner control unit (EEPROM)	



Temperatures, boiler coding card and brief scans (cont.)

Display screen						
Brief scan	0	0	0	0	0	0
2	System design 1 to 6 indication in accordance with the relevant design		Display KM BUS users	Max. demand temperature		
3	Flow switch position	Software version Programming unit	Software version Mixer extension kit	Software version Solar control unit	Software version LON system	Software version Ext. extension
4	Software version Burner control unit		Type Burner control unit		Boiler type	
5	0: No ext. demand or operating mode change-over 1: Ext. demand or operating mode change-over present	0: No ext. blocking 1: Ext. blocking present	N/A	External hook-up 0 to 10 V, displayed in %		
6	Number of LON users		Software version Third party controller	Max. output, displayed in %		



Temperatures, boiler coding card and brief scans (cont.)

Display screen						
Brief scan						
			Heating circuit 1 (boiler circuit A1)		Heating circuit 2 (mixer circuit M2)	
7	N/A	N/A	Remote control 0: excl. 1: Vito- trol 200 2: Vito- trol 300	Software version Remote control	Remote control 0: excl. 1: Vito- trol 200 2: Vito- trol 300	Software version Remote control
	Internal circulation pump		Heating circuit pump boiler circuit A1		Heating circuit pump mixer circuit M2	
8	Variable speed pump 0: excl. 1: Wilo 2: Grundfos	Software version Variable speed pump	Variable speed pump 0: excl. 1: Wilo 2: Grundfos	Software version Variable speed pump	Variable speed pump 0: excl. 1: Wilo 2: Grundfos	Software version Variable speed pump

Constant temperature control units

1. Press and simultaneously for approx. 2 seconds.
Scanning enabled.
 2. Select the required scan with and .
 3. Press .
- Scanning is completed.

Temperatures, boiler coding card and brief scans (cont.)

	Display screen				
Brief scan	0	0	0	0	0
0	Flow switch position	System design, indication in accordance with the design	Software version Control unit		Software version User interface
1	Software version Solar panel	Software version Burner control unit		Software version Ext. extension	Software version Cascade module
E	0: No ext. demand or operating mode change-over 1: Ext. demand or operating mode change-over present	0: No ext. blocking 1: Ext. blocking present	External hook-up 0 to 10 V, displayed in %		
3			Set boiler temperature		
A			Highest demand temperature		
4		Burner control unit type	Boiler type		
5			Set cylinder temperature at the cylinder temperature sensor (current value)		
b			Max. heating output in %		
C		Boiler coding card (hexa-decimal)			
c		Version Equipment (EEPROM)		Version Burner control unit (EEPROM)	








Temperatures, boiler coding card and brief scans (cont.)

	Display screen				
Brief scan	0	0	0	0	0
d				Variable speed pump 0: excl. 1: Wilo 2: Grundfos	Software version Variable speed pump

Checking outputs (relay test)

Weather-compensated control units

1. Press  and  simultaneously for approx. 2 seconds.
Relay test enabled.
2. Select the relay outputs with  and .
3. Press .
Relay test is completed.

Subject to the actual equipment level, the following relay outputs can be controlled:

Display	Description
Basic load	Burner modulation lower output
Full load	Burner modulation upper output
Heating valve	Diverter valve set to heating mode
Valve central pos.	Changeover valve in central position (fill)
DHW valve	Diverter valve set to DHW mode
Int. pump ON	Int. pump/output 20 ON
Close mixer	Mixer extension
Open mixer	Mixer extension
Heating circ. pump M2 ON	Mixer extension
Output int.	Internal extension
Heating circ. pump A1 ON	Ext. extension
Cylinder loading pump ON	Ext. extension
DHW circ. pump ON	Ext. extension
Central fault display ON	Ext. extension








Service scans

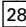
Checking outputs (relay test) (cont.)

Display	Description
Solar pump ON	Vitosolic

Constant temperature control units



1. Press  and  simultaneously for approx. 2 seconds.
Relay test enabled.
2. Select the relay outputs with  and .
3. Press .
Relay test enabled.

Subject to the actual equipment level, the following relay outputs can be controlled:

Display	Description
1	Burner modulation lower output
2	Burner modulation upper output
3	Diverter valve set to heating mode
4	Valve in central position
5	Valve set to DHW mode
6	Internal pump/output 20 ON
10	Output  internal extension
11	Heating circuit pump A1 external extension
12	Cylinder loading pump external extension
13	DHW circulation pump external extension
14	Central fault external extension

Scanning operating conditions and sensors

Weather-compensated control units


1. For two heating circuits – select heating circuit:
 - Press (+).
 - 1  flashes on the display.
 - Select heating circuit A1 (heating circuit without mixer):
Press (OK).
 - Select heating circuit M2 (heating circuit with mixer):
 - Press (+).
 - 2  flashes on the display.
 - Press (OK).
2. Press (i).
3. Select the required operating condition scan with (+) or (-).
4. Press (i).

Heating circuits A1 and M2





Operating condition display (subject to system equipment level)	Description
User no.	Encoded user no. in the LON system
Holiday program	Displayed only if a holiday program has been set up
Date of departure	Date
Date of return	Date
Outside temperature, ... °C	Actual value
Boiler temperature, ... °C	Actual value
Flow temperature, ... °C	Actual value (only for mixer circuit M2)
Standard room temperature, ... °C	Set value
Room temperature, ... °C	Actual value
Ext. set room temp., ... °C	If external hook-up
DHW temperature, ... °C	Actual DHW temperature
Solar DHW temp., ... °C	Actual value
Collector temperature, ... °C	Actual value
Mixed flow temp., ... °C	Actual value, only with low loss header
Burner, ... h* ¹	Hours run
Burner starts, ... * ¹	Actual value
Solar energy	Displayed in kW/h
Time	


*¹Reset hours run and burner starts after maintenance has been completed. You can reset the hours run to 0 by pressing (+).

Scanning operating conditions and sensors (cont.)

Operating condition display (subject to system equipment level)	Description
Date	
Burner OFF or ON	
Int. pump OFF or ON	Output 20
Int. output OFF or ON	Internal extension
Heating pump OFF or ON	External extension or extension kit for one heating circuit with mixer installed
Cylinder loading pump OFF or ON	Displayed only if the external extension is installed
DHW circulation pump OFF or ON	Displayed only if the external extension is installed
Central fault display OFF or ON	Displayed only if the external extension is installed
Mixer, mixer open or mixer close	Displayed only if the extension kit for one heating circuit with mixer is installed
Solar pump OFF or ON	Displayed only if Vitosolic is installed
Solar pump ...h	Hours run
Various languages	Each language can be selected as permanent display language with  .

Constant temperature control units

1. Press .
2. Select the required operating condition scan with  or .
3. Press .

Operating condition display (subject to system equipment level)	Description
1 15 °C/°F*1	Outside temperature sensor - actual value (): only if an outside temperature sensor is connected)
3 65 °C/°F*1	Boiler temperature sensor - actual value
5 50 °C/°F*1	Cylinder temperature sensor - actual value
5□ 45 °C/°F*1	Solar - actual DHW temperature

*1 Displayed in °F if the relevant code has been selected and with the fourth display digit.

Scanning operating conditions and sensors (cont.)

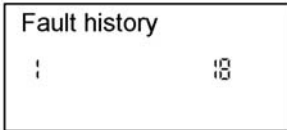
Operating condition display (subject to system equipment level)		Description
6	70 °C/°F*1	Actual value - collector sensor
263572	h*2	Burner hours run
030529*2		Burner starts
001417	h	Hours run - solar circuit pump
002850		Solar energy in kW/h

*1Displayed in °F if the relevant code has been selected and with the fourth display digit.

*2Reset hours run and burner starts after maintenance has been completed. You can reset the hours run to 0 by pressing ⊕.

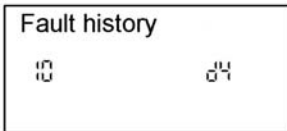
Calling up fault code history

The most recent 10 faults are saved and may be called up.



1. Press and simultaneously for approx. 2 seconds.

2. Call up the individual fault codes with or .

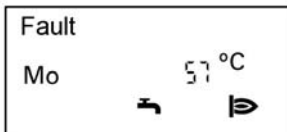


Fault code order	Fault code
1	most recent
.	.
.	.
.	.
10	10th from most recent

All saved fault codes can be deleted with .

3. Press .

Calling up current fault codes



Red fault indicator flashes for all faults.

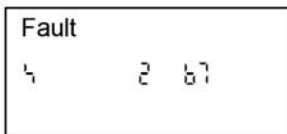
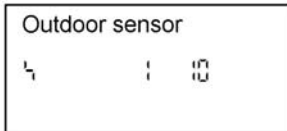
"Fault" flashes in the programming unit display when a fault message is issued.



A fault in the burner control unit causes the display to flash .

Calling up current fault codes (cont.)

Control unit faults



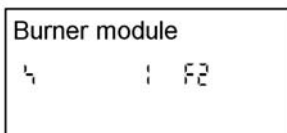
1. Find current fault with \textcircled{i} .

2. Select additional fault codes with $\textcircled{+}$ and $\textcircled{-}$.

3. Acknowledge fault.

The fault can be acknowledged with \textcircled{OK} . The fault message in the display will be hidden, but red fault indicator \textcircled{A} continues to flash. A new fault message will be shown in the display if an acknowledged fault is not removed by 07:00 h the following day.

Fault on the burner control unit



1. Find current fault with \textcircled{i} .

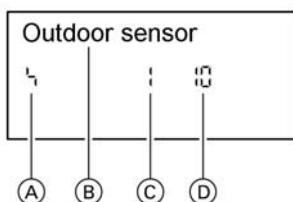
2. Select additional fault codes with $\textcircled{+}$ and $\textcircled{-}$.

3. Acknowledge fault.

The fault can be acknowledged with \textcircled{OK} . The fault message in the display will be hidden, but red fault indicator \textcircled{A} continues to flash. A new fault message will be shown in the display if an acknowledged fault is not removed by 07:00 h the following day.

Calling up current fault codes (cont.)

Fault display design



- (A) Fault symbol
- (B) Plain text fault display (only for weather-compensated control units)
- (C) Fault number
- (D) Fault code

1. Calling up acknowledged fault messages

Press **OK** for approx. 3 seconds.
The fault will then be displayed.

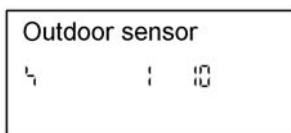
4. **↑** in the display indicates that the burner control unit is locked out.
After the fault has been removed, acknowledge by pressing reset **↑**.

Plain text fault display

- Burner control unit
- Outside temperature sensor
- Flow sensor
- Boiler sensor
- Mixed flow sensor
- DHW cylinder sensor
- Flue gas sensor
- DHW outlet sensor
- Room temperature sensor
- Collector sensor
- Solar DHW sensor
- Remote control

2. Select the acknowledged fault with **+** or **-**.

Checking and acknowledging faults



Weather-compensated control units

Red fault indicator **↑** flashes for all faults.

A fault message code flashes in the programming unit display when a fault message is issued.

Any fault codes present may be called up with **+** or **-**.

Checking and acknowledging faults (cont.)



Constant temperature control units

Note

The fault can be acknowledged with **OK**. The fault message in the display will be hidden, but the red fault indicator **|** continues to flash. A new fault message will be displayed if an acknowledged fault is not removed by the following morning.

Calling up acknowledged fault messages

Press **OK** for approx. 2 seconds; select the acknowledged fault with **+** or **-**.

Displayed fault code	Const.	Weather-comp.	System characteristics	Cause	Remedy
0F	X	X	Control mode	Maintenance	Carry out maintenance. Set code 24:0 after maintenance
10	X	X	Controls according to 0 °C outside temperature	Outside temperature sensor shorted out	Check the outside temperature sensor (see page 85)
18	X	X	Controls according to 0 °C outside temperature	Outside temperature sensor lead break	Check the outside temperature sensor (see page 85)
20	X	X	Controls without flow temperature sensor (low loss header)	System flow temperature sensor shorted out	Check the low loss header sensor (see page 87)



Checking and acknowledging faults (cont.)

Displayed fault code	Const.	Weather-comp.	System characteristics	Cause	Remedy
28	X	X	Controls without flow temperature sensor (low loss header)	System flow temperature sensor lead break	Check the low loss header sensor (see page 87)
30	X	X	Burner blocked	Boiler temperature sensor shorted out	Check the boiler temperature sensor (see page 87)
38	X	X	Burner blocked	Boiler temperature sensor lead break	Check the boiler temperature sensor (see page 87)
40		X	Mixer closes	Heating circuit M2 flow temperature sensor shorted out	Check the flow temperature sensor
48		X	Mixer closes	Heating circuit M2 flow temperature sensor lead break	Check the flow temperature sensor
50	X	X	No DHW heating	Cylinder temperature sensor/comfort sensor/loading sensor shorted out	Check sensors (see page 87)
58	X	X	No DHW heating	Cylinder temperature sensor/comfort sensor/loading sensor lead break	Check sensors (see page 87)



Checking and acknowledging faults (cont.)

Displayed fault code	Const.	Weather-comp.	System characteristics	Cause	Remedy
51	X	X	No DHW heating	Cylinder temperature sensor 2/outlet sensor lead break	Check sensors (see page 87)
59	X	X	No DHW heating	Cylinder temperature sensor 2/outlet sensor lead break	Check sensors (see page 87)
92	X	X	Control mode	Solar: Collector temperature sensor shorted out	Check sensor
9A	X	X	Control mode	Collector temperature sensor lead break	Check sensor
93	X	X	Control mode	Solar: Sensor S3 shorted out	Check sensor
9b	X	X	Control mode	Sensor S3 lead break	Check sensor
94	X	X	Control mode	Solar: Cylinder temperature sensor shorted out	Check sensor
9C	X	X	Control mode	Cylinder temperature sensor lead break	Check sensor
9F	X	X	Control mode	Solar control unit fault message	See solar control unit service instructions
A7		X	Control mode	Faulty user interface	Replace user interface
b0	X	X	Burner blocked	Flue gas temperature sensor short circuit	Check the flue gas temperature sensor (see page 89)



Checking and acknowledging faults (cont.)

Displayed fault code	Const.	Weather-comp.	System characteristics	Cause	Remedy
b8	X	X	Burner blocked	Flue gas temperature sensor lead break	Check the flue gas temperature sensor (see page 89)
b1	X	X	Control mode	Communication fault – programming unit (internal)	Check connections and replace the programming unit, if necessary
b4	X	X	Emissions test mode	Internal fault	Replace control unit
b5	X	X	Control mode	Internal fault	Replace control unit
b7	X	X	Burner blocked	Boiler coding card missing, faulty or incorrect card inserted	Insert the boiler coding card or replace, if faulty
bA		X	Mixer M2 continues to control	Communication fault - extension kit for mixer circuit M2	Check the extension kit connections and coding. Start the extension kit.
bC		X	Control mode without remote control	Communication fault - Vitotrol remote control heating circuit A1	Check connections, cable, coding address A0 and the remote control DIP switches
bd		X	Control mode without remote control	Communication fault - Vitotrol remote control heating circuit M2	Check connections, cable, coding address A0 and the remote control DIP switches
bE		X	Control mode	Vitotrol remote control incorrectly encoded	Check the remote control DIP switch settings
bF		X	Control mode	Incorrect LON communication module	Replace the LON communication module


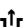


Checking and acknowledging faults (cont.)





Displayed fault code	Const.	Weather-comp.	System characteristics	Cause	Remedy
C2	X	X	Control mode	Communication fault - solar control unit	Check connections and coding address 54
C5	X	X	Control mode, max. pump speed	Communication fault - variable speed internal pump	Check coding address 30 settings; check the DIP switch settings in the pump wiring chamber: Switch 1: OFF (as delivered condition) Switch 2: OFF (as delivered condition)
C6		X	Control mode, max. pump speed	Communication fault - variable speed heating circuit pump, heating circuit M2	Check coding address E5 settings; check the DIP switch settings in the pump wiring chamber: Switch 1: OFF Switch 2: ON
C7	X	X	Control mode, max. pump speed	Communication fault - variable speed heating circuit pump, heating circuit A1	Check coding address E5 settings; check the DIP switch settings in the pump wiring chamber: Switch 1: ON Switch 2: OFF
Cd	X	X	Control mode	Communication fault Vitocom 100 (KM BUS)	Check connections and Vitocom 100
CE	X	X	Control mode	Communication fault - ext. extension	Check connections and coding address 2E settings



Checking and acknowledging faults (cont.)





Displayed fault code	Const.	Weather-comp.	System characteristics	Cause	Remedy
CF		X	Control mode	Communications fault - LON communication module	Replace the LON communication module
dA		X	Control mode without room influence	Room temperature sensor heating circuit A1 shorted out	Check the room temperature sensor for heating circuit A1
dB		X	Control mode without room influence	Heating circuit M2 room temperature sensor shorted out	Check the room temperature sensor for heating circuit M2
dd		X	Control mode without room influence	Room temperature sensor heating circuit A1 lead break	Check the room temperature sensor for heating circuit A1
dE		X	Control mode without room influence	Heating circuit M2 room temperature sensor lead break	Check the room temperature sensor for heating circuit M2
E4	X	X	Burner blocked	Fault - supply voltage	Replace control unit
E5	X	X	Burner blocked	Internal fault	Check the ionisation electrode and leads. Check flue gas system for soundness. Press  .
E6	X	X	Burner in fault state	Flue gas/air supply system blocked	Check the flue gas/air supply system. Check the differential pressure sensor. Press  .

Checking and acknowledging faults (cont.)

Displayed fault code	Con- st.	Weat- her- com- p.	System charac- ter- istics	Cause	Remedy
F0	X	X	Burner blocked	Internal fault	Replace control unit
F1	X	X	Burner in fault state	Flue gas temperature limiter has responded	Check the heating system water level. Vent the heating system. Press reset  no sooner than after 20 minutes.
F2	X	X	Burner in fault state	Temperature limiter has responded	Check the heating system water level. Check the circulation pump. Vent the heating system. Check the temperature limiter and leads. Press  .
F3	X	X	Burner in fault state	The flame signal is already present at burner start	Check the ionisation electrode and leads. Press  .
F4	X	X	Burner in fault state	No flame signal is present	Check the ionisation electrode and leads, measure the ionisation current, check the gas pressure, check the gas combination valve, ignition, ignition module, ignition electrodes and the condensate drain. Press  .
F7	X	X	Burner blocked	Differential pressure sensor faulty	Check the pressure differential sensor and connecting lead (see page 92)



Checking and acknowledging faults (cont.)

Displayed fault code	Const.	Weather-comp.	System characteristics	Cause	Remedy
F8	X	X	Burner in fault state	Fuel valve closes too late	Check gas combination valve. Check both control paths. Press  .
F9	X	X	Burner in fault state	Fan speed too low at burner start	Check the fan, check the fan cables and supply, check the fan control. Press  .
FA	X	X	Burner in fault state	Fan stop not achieved	Check the fan, check the fan cables, check the fan control. Press  .
Fd	X	X	Burner blocked	Burner control unit fault	Check the ignition electrodes and leads. Check whether a strong interference (EMC) field exists near the equipment. Press  . If the fault is not removed, replace the control unit.
FE	X	X	Burner blocked	Strong interference (EMC) field nearby; alternatively boiler coding card or main PCB faulty	Remove EMC interference. If the equipment will not restart, check the boiler coding card and replace, or replace the control unit.



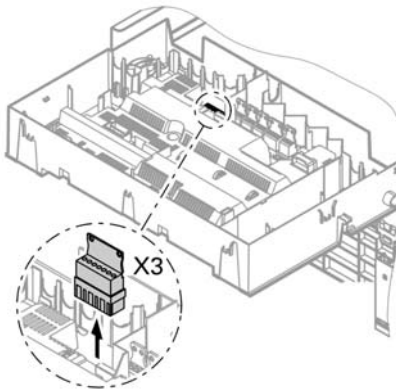
Checking and acknowledging faults (cont.)

Displayed fault code	Const.	Weather-comp.	System characteristics	Cause	Remedy
FF	X	X	Burner blocked	Internal fault	Remove EMC interference. If the equipment will not restart, check the boiler coding card and replace, or replace the control unit.

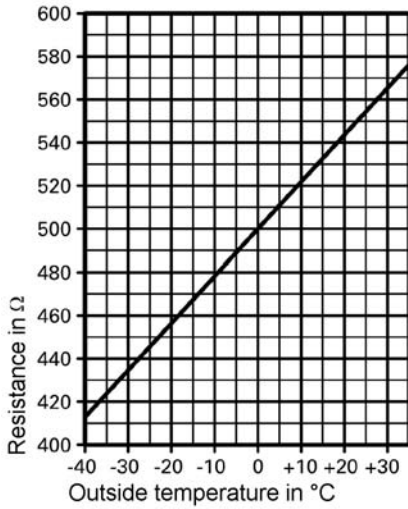
Repairs

Checking the outside temperature sensor (weather-compensated control units)

1. Pull plug X3 from the control unit.



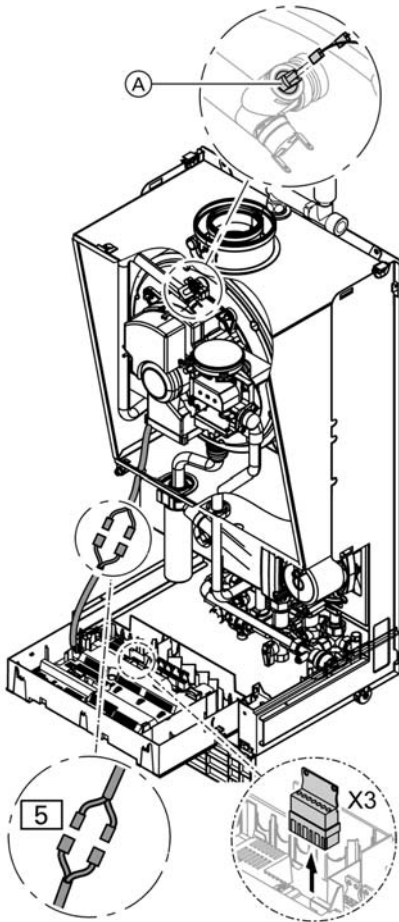
Repairs (cont.)



2. Test the resistance of the outside temperature sensor across terminals X3.1 and X3.2 on the disconnected plug and compare with the curve.
3. Where actual values strongly deviate from the curve values, disconnect the wires at the sensor and repeat test directly at the sensor.
4. Depending on the result, replace cable or outside temperature sensor.

Repairs (cont.)

Check the boiler temperature sensor, cylinder temperature sensor or the flow temperature sensor for low loss header



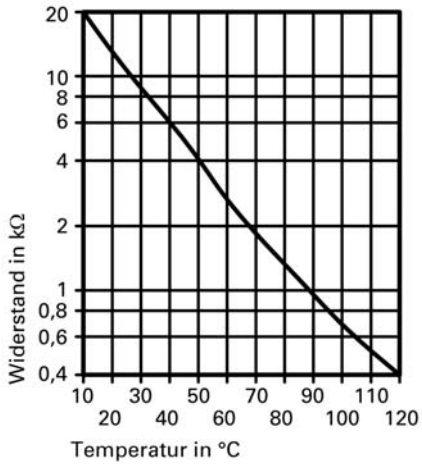
1. Boiler temperature sensor: Pull the leads from boiler temperature sensor **A** and measure the resistance.

Cylinder temperature sensor: Pull the plug **5** from the cable harness on the control unit and measure the resistance.

Flow temperature sensor: Pull plug X3 from the control unit and measure the resistance across terminals X3.4 and X3.5.



Repairs (cont.)



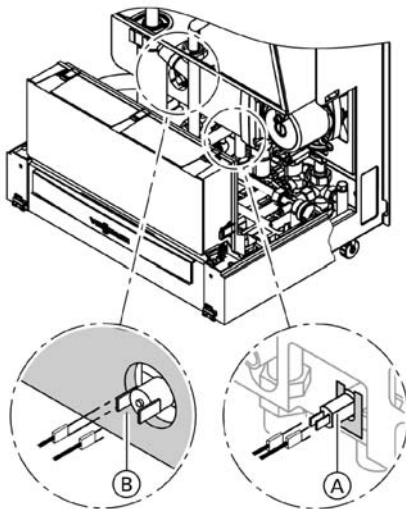
2. Check the sensor resistance and compare actual values with the curve.
3. Replace the sensor in case of severe deviation.



Danger

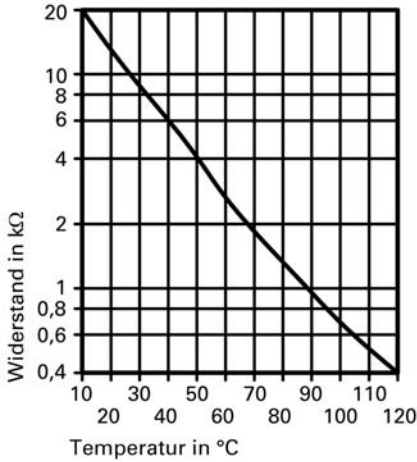
The boiler temperature sensor is immersed in the heating water (risk of scalding). Drain the boiler before replacing the sensor.

Checking the outlet or comfort sensor (only on gas fired combination boilers)



1. Pull the leads from outlet temperature sensor (A) or comfort sensor (B).
2. Check the sensor resistance and compare actual values with the curve.

Repairs (cont.)




3. Replace the sensor in case of severe deviation.

Note

Water can leak out when replacing the outlet sensor. Close the cold water shut-off valve. Drain DHW pipe and plate heat exchanger (secondary side).

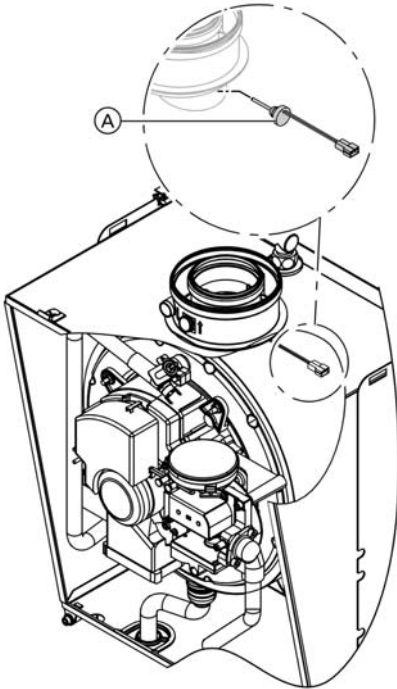
Checking the flue gas temperature sensor

The flue gas temperature sensor locks out the boiler when the permissible flue gas temperature is exceeded. The lockout can be reset no sooner than after 20 minutes by pressing the reset button .

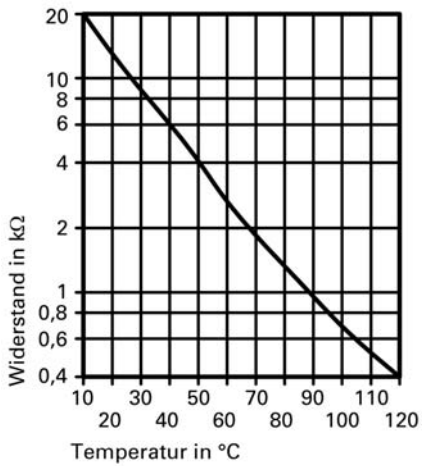
Note

The equipment will also be locked out again for 20 minutes if the mains power supply is switched OFF.

Repairs (cont.)



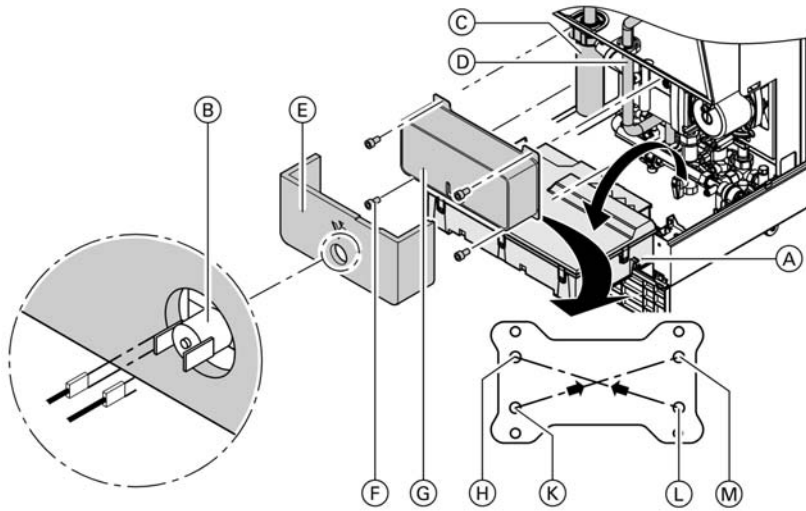
1. Pull the leads from the flue gas temperature sensor (A).



2. Check the sensor resistance and compare actual values with the curve.
3. Replace the sensor in case of severe deviation.

Repairs (cont.)

Checking plate heat exchanger



- Ⓜ Heating return
- Ⓚ Cold water

- Ⓛ Heating flow
- Ⓜ DHW

1. Shut off and drain the boiler on the primary and the secondary side.
2. Release the lateral closures and pivot the control unit ⓐ forward.
3. Pull leads from comfort sensor Ⓑ.
4. Remove the retaining clip and siphon Ⓒ.
5. Remove gas supply pipe Ⓓ.
6. Remove thermal insulation ⓔ.

7. Release screws Ⓕ and pull plate heat exchanger Ⓖ forward out of the assembly.

Note


During removal, small amounts of water may trickle out and escape from the removed plate heat exchanger.

8. Check the secondary side for scaling and, if necessary, clean or replace the plate heat exchanger.
9. Check the primary side for contamination and, if necessary, clean or replace the plate heat exchanger.



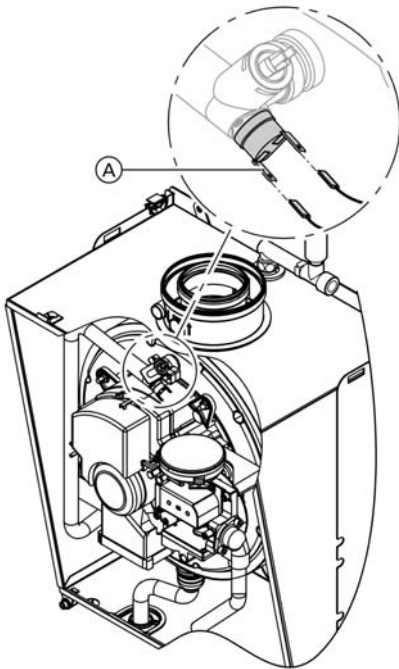
Repairs (cont.)

10. Install in reverse order using new gaskets. Lubricate the new gaskets/seals.


11.  **Danger**
Escaping gas leads to a risk of explosion.
Check the gas connections for soundness.

Check all fittings and the flange for soundness.

Checking the temperature limiter



If the burner control unit cannot be reset after a fault shutdown, although the boiler water temperature is below approx. 75 °C:

- Pull the leads from temperature limiter (A).
- Check the continuity of the temperature limiter with a multimeter.
- Remove faulty temperature limiter.
- Install a new temperature limiter.
- After commissioning, press reset button  on the control unit.

Checking and replacing pressure differential sensor

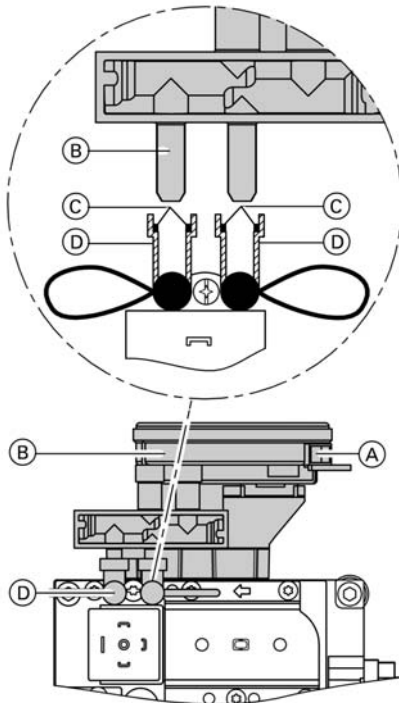
Check the sensor in case of fault messages concerning the differential pressure sensor:

- *Correct installation*

Repairs (cont.)

- *Electrical connection*
 - *Correct position of the O-rings inside the adaptor*
 - *Are the test nipples closed with plugs?*
- Replace the sensor if fault messages persist.*

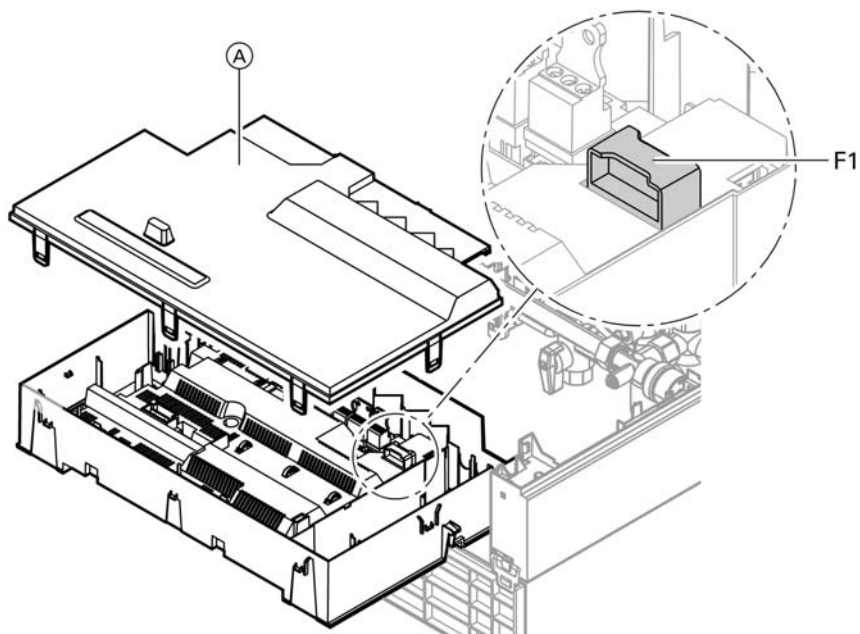
Checking O-rings:



1. Pull off the electrical plug (A).
2. Remove sensor (B) by pulling it upwards.
3. Ensure that both O-rings (C) are properly inserted into aperture adaptor retainers (D).
4. Insert the sensor with connection nipples into the gas combination valve adaptor and push in until it clicks into place.
5. Reconnect the electrical plug-in connector on the sensor.

Repairs (cont.)

Checking the fuse

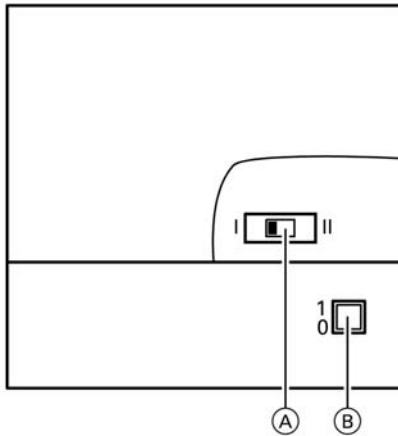



1. Switch OFF the mains power.
2. Release the lateral closures and pivot the control unit down.
3. Remove cover (A).
4. Check fuse F1.

Repairs (cont.)

Extension kit for heating circuit with mixer

Checking the rotational direction of the mixer motor



- (A) Rotational direction switch
- (B) ON/OFF switch 

1. Switch OFF the motor and restart it at the main ON/OFF switch. The device will carry out the following self-test:
 - Mixer close (150 seconds)
 - Pump ON (10 seconds)
 - Mixer open (10 seconds)
 - Mixer close (10 seconds)
 Then standard control mode recommences.

2. Note the rotational direction of the mixer motor during the self-test. Then set the mixer manually to the "Open" position.

Note

The flow temperature sensor must now sense a higher temperature. If the temperature falls, either the motor is turning in the wrong direction or the mixer set is incorrectly fitted.



Mixer installation instructions

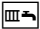
3. Adjust the rotational direction of the mixer motor (if required).
 - Switch position I for heating return from the l.h. side (as delivered condition).
 - Switch position II for heating return from the r.h. side.

Checking Vitotronic 050 (accessory)


Vitotronic 050 is connected with the control unit via the LON system. To test the connection, implement a user check on the boiler control unit (see page 34).

Constant temperature control units

Heating mode

The set boiler water temperature will be maintained in the heating and DHW operating program , when a demand is raised by the room temperature-dependent clock thermostat. If no demand is received, the boiler water temperature will be held at the defaulted frost protection temperature. The burner control unit limits the boiler water temperature: through the control thermostat to 74 °C, and through the electronic temperature limiter to 82 °C. The temperature limiter in the safety chain locks out the burner control unit at a boiler water temperature of 100 °C.

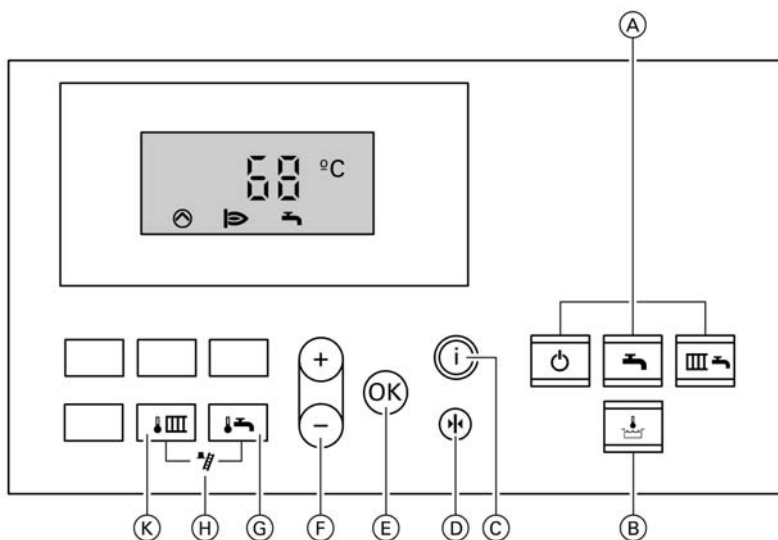
DHW loading with gas fired combination boilers

If the flow switch recognises that DHW is drawn off (> 3 l/min), the burner and circulation pump are switched ON, and the three-way valve changes over to DHW loading (display symbol ). The burner modulates to reach the DHW outlet temperature and is limited on the boiler side by the temperature limiter (82 °C). With activated comfort operation, the plate heat exchanger will be held to a standby temperature of 42 °C ON and 46 °C OFF.

DHW loading with a gas fired boiler

The DHW heating will be activated if the cylinder temperature falls 2.5 K below the set cylinder temperature. The burner, the circulation pump and the three-way valve are started or changed over. In the delivered condition, the set boiler temperature lies 20 K higher than the set DHW temperature (adjustable in coding address 60). If the actual cylinder temperature rises 2.5 K above the set cylinder temperature, the burner will be switched OFF and the cylinder loading pump run-on time will be activated.

Constant temperature control units (cont.)



- Ⓐ Heating programs
- Ⓑ Comfort mode
- Ⓒ Information
- Ⓓ Basic settings
- Ⓔ Confirmation/acknowledgement
- Ⓕ Setting values
- Ⓖ DHW temperature
- Ⓗ Emissions test function
- Ⓚ Boiler water temperature

Weather-compensated control units

Heating mode

The control unit determines a set boiler water temperature subject to outside temperature or room temperature (if a room temperature-dependent remote control is connected) and the slope/level of the heating curve. The determined set boiler water temperature is then transferred to the burner control unit. From the set and actual boiler water temperatures, the burner control unit calculates the modulation level and controls the burner accordingly. The burner control unit limits the boiler water temperature: through the control thermostat to 74 °C, and through the electronic temperature limiter to 82 °C. The temperature limiter in the safety chain locks out the burner control unit at a boiler water temperature of 100 °C.

DHW loading with gas fired combination boilers

If the flow switch recognises that DHW is drawn off (> 3 l/min), the burner and circulation pump are switched ON, and the three-way valve changes over to DHW loading. The burner modulates to reach the DHW outlet temperature and is limited on the boiler side by the temperature limiter (82 °C). With activated comfort operation, the plate heat exchanger will be held to a standby temperature of 42 °C ON and 46 °C OFF.

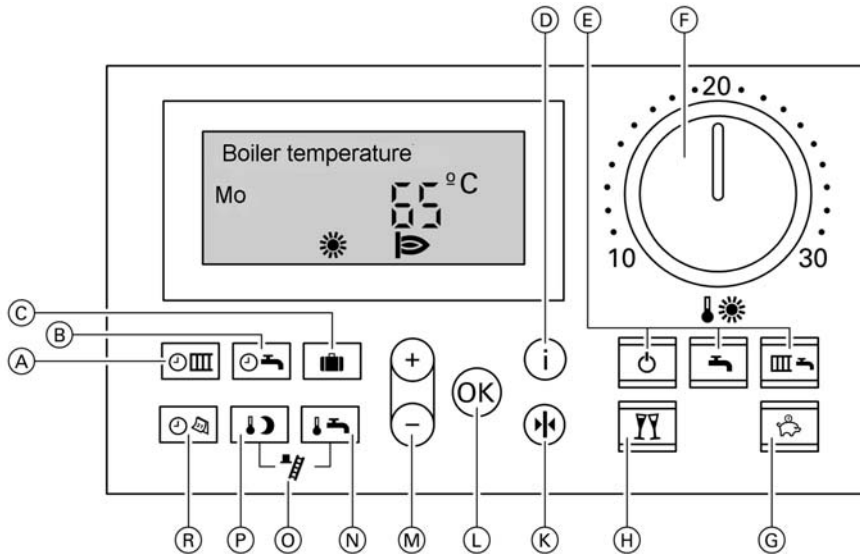
DHW loading with a gas fired boiler

The DHW heating will be activated if the cylinder temperature falls 2.5 K below the set cylinder temperature. The burner and the cylinder loading pump are switched ON. In the delivered condition, the set boiler water temperature lies 20 K above the set cylinder temperature. If the actual cylinder temperature rises 2.5 K above the set cylinder temperature, the burner will be switched OFF and the cylinder loading pump run-on time will be activated.

Supplementary DHW heating

The backup heating function is activated, if a switching period is selected for the fourth time phase. This period must lie outside the switching times for standard DHW heating to enable the control unit to recognise the signal. The set temperature value for backup heating is adjustable in coding address 58.

Weather-compensated control units (cont.)

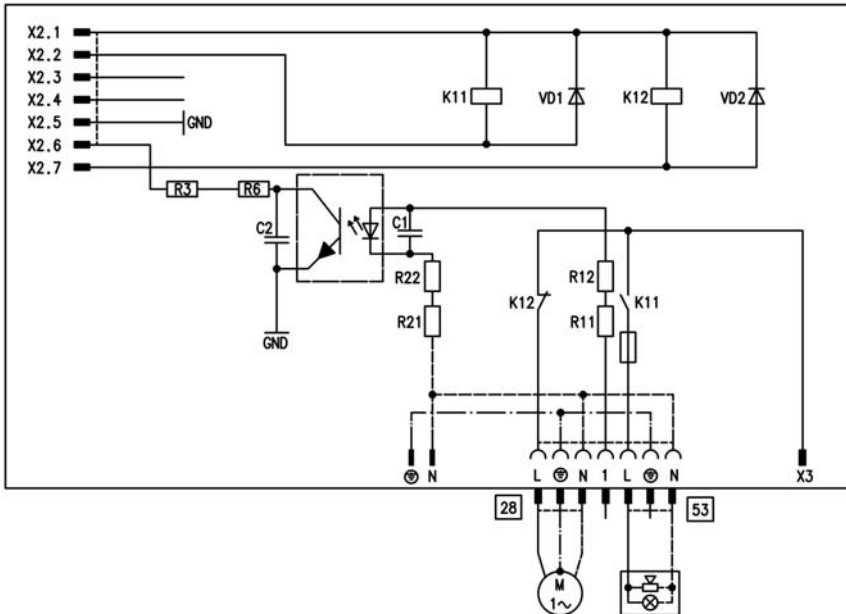


- | | |
|---|--------------------------------|
| Ⓐ Heating circuit time program | ⓓ Information |
| Ⓑ DHW time program and DHW circulation (if connected to the control unit) | ⓔ Heating programs |
| Ⓒ Holiday program | ⓕ Standard room temperature |
| Ⓓ Information | ⓖ Economy mode |
| ⓔ Heating programs | ⓓ Party mode |
| ⓕ Standard room temperature | ⓕ Basic settings |
| ⓖ Economy mode | ⓕ Confirmation/acknowledgement |
| | ⓕ Setting values |
| | ⓕ DHW temperature |
| | ⓕ Emissions test function |
| | ⓕ Reduced room temperature |
| | ⓕ Date/time |

Function description

Extensions for external connections (accessory)

Internal extension H1



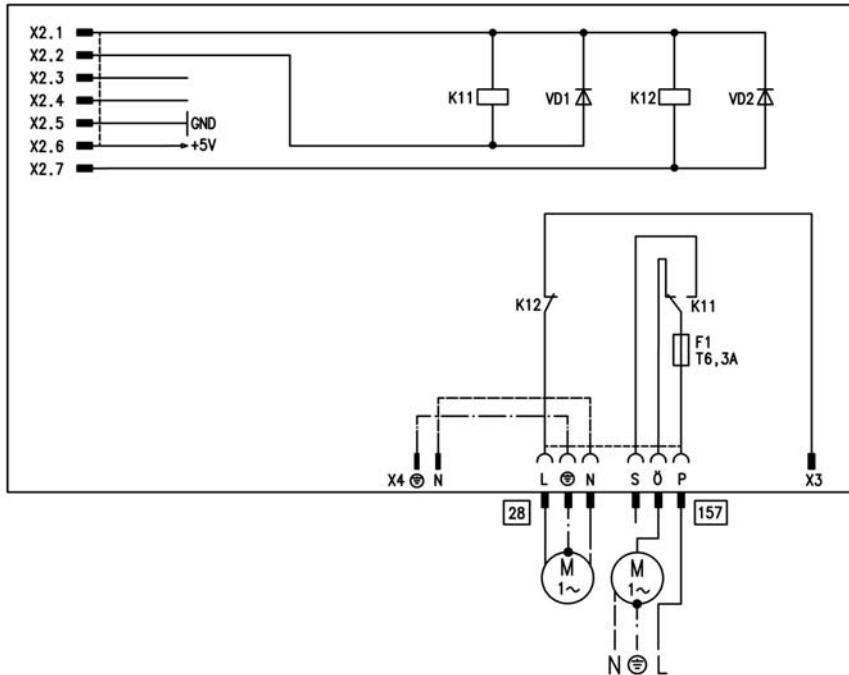
The internal extension is integrated into the control unit housing. As alternative, the following functions can be connected to relay output 28. The function is allocated via coding address 53:

- Central fault message (code 53:0)
- Cylinder loading pump (code 53:3)
- DHW circulation pump (code 53:1)
- Heating circuit pump for heating circuit without mixer (code 53:2)

An external safety valve can be connected to connection 53.

Extensions for external connections (accessory) (cont.)

Internal extension H2



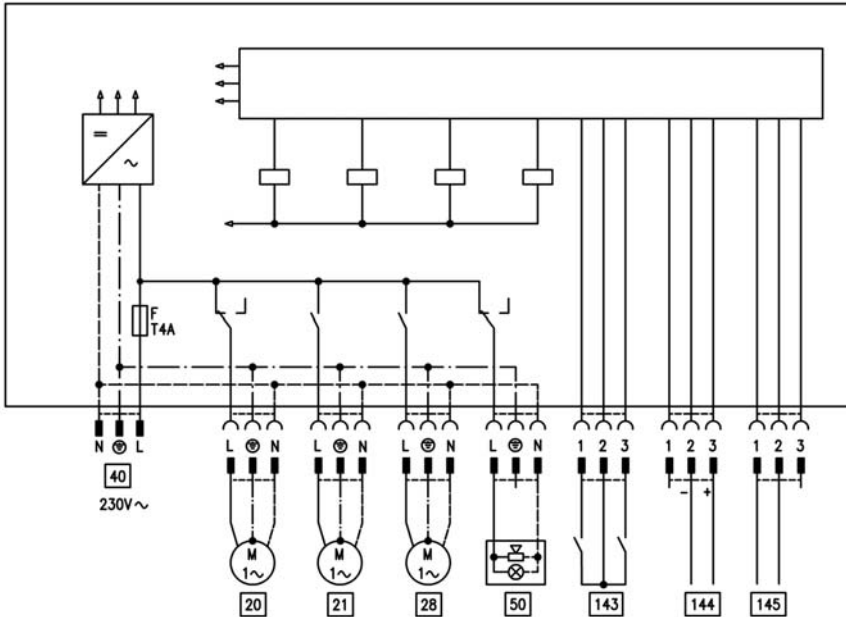
The internal extension is integrated into the control unit housing. As alternative, the following functions can be connected to relay output **28**. The function is allocated via coding address 53:

- Central fault message (code 53:0)
- Cylinder loading pump (code 53:3)
- DHW circulation pump (code 53:1)
- Heating circuit pump for heating circuit without mixer (code 53:2)

An interlock for extractors can be connected to connection **157**.

Extensions for external connections (accessory) (cont.)

External extension H1



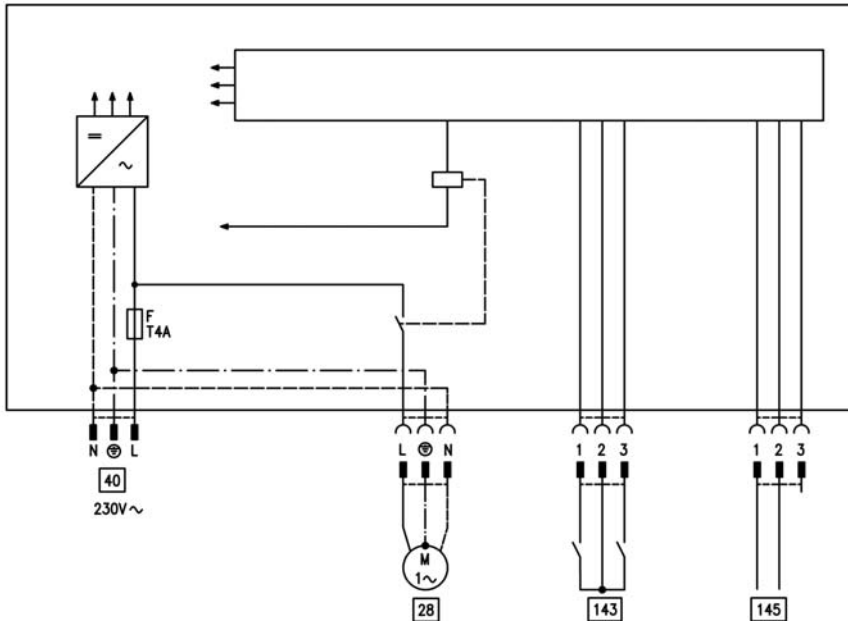
The external extension is connected to the boiler control unit via the KM BUS. The following functions can be controlled or processed via this extension:

- 20** Heating circuit pump for heating circuit without mixer
- 21** Cylinder loading pump
- 28** DHW circulation pump
- 40** Power supply
- 50** Central fault message

- 143** ■ External blocking (terminals 2 - 3)
 - External demand (terminals 1 - 2)
 - External changeover of the operating mode (terminals 1 - 2)
- The allocation of function "External changeover of operating mode" is selected via coding address 91.
- 144** External set value 0 to 10 V
 - 145** KM BUS

Extensions for external connections (accessory) (cont.)

External extension H2



The external extension is connected to the boiler control unit via the KM BUS. The following functions can be controlled or processed simultaneously via the extension:

- 28 DHW circulation pump
- 40 Power supply

- 143 ■ External blocking (terminals 2 - 3)
 - External demand (terminals 1 - 2)
 - External changeover of the operating mode (terminals 1 - 2)
- The allocation of function "External changeover of operating mode" is selected via coding address 91.

- 145 KM BUS

Function description

Control functions

External operating mode changeover

The function "External operating mode changeover" is connected via input [143] of the external extension. With coding address 91 you can select, for which heating circuit the changeover of operating mode should apply:

Coding	Changeover of operating mode affects:
91:0	No changeover
91:1	Heating circuit without mixer A1
91:2	Heating circuit with mixer M2
91:3	Heating circuit without mixer and heating circuit with mixer

With coding address d5, you can select in which direction the changeover should be made for each heating circuit:

Coding	Changeover of operating mode affects:
d5:0	Changeover towards "Constantly reduced" or "Constant standby mode" (subject to the selected set value)
d5:1	Changeover towards "Constant heating mode"

You can select the duration of the operating mode changeover with coding address F2.

Coding	Changeover of operating mode affects:
F2:0	No changeover of operating mode
F2:1 to F2:12	Duration of the operating mode changeover 1 to 12 hours

The changeover of operating mode remains active as long as the contact remains closed, but no less than the default duration selected with coding address F2.

Control functions (cont.)

External blocking

The function "External blocking" is connected via input 143 of the external extension.

In coding address 32 you can select the influence the signal "Ext. blocking" should have on the connected circulation pumps.

External demand

The function "External demand" is connected via input 143 of the external extension.

In coding address 34 you can select the influence the signal "Ext. demand" should have on the connected circulation pumps.

In coding address 9b, you can select the minimum set boiler water temperature in case of external demand.

Venting program

Note

Close the gas shut-off valve when operating the venting program.

During the venting program, the circulation pump will be alternately switched ON and OFF for 30 seconds respectively over a period of 20 minutes.

The diverter valve is alternately switched for a certain period towards heating and DHW operation. The burner is switched OFF during the venting program.

The venting program is activated via coding address 2F:1. The program is automatically deactivated after 20 minutes, and the coding address is set to 0.

Filling program

Note

Close the gas shut-off valve when operating the filling program.

In the delivered condition, the diverter valve is set to its central position, enabling the system to be filled completely. After starting the control unit, the diverter valve no longer goes into its central position.

Function description

Control functions (cont.)

The diverter valve can be moved into its central position via coding address 2F:2. The system can be filled completely, if the control unit is switched OFF in this position.

Filling with the control unit switched ON

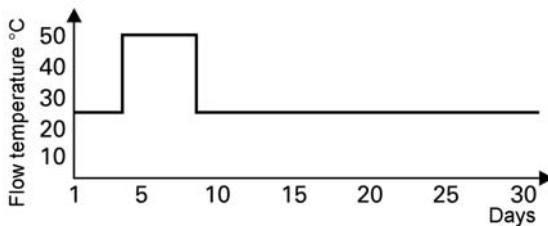
If the system is to be filled with the control unit switched ON, the diverter valve is moved into its central position via coding address 2F:2, and the pump is started. The burner shuts down if this program is activated via coding address 2F. The program is automatically deactivated after 20 minutes, and the coding address is set to 0.

Screed function

The screed drying function enables the drying of a freshly laid screed. For this, always observe the instructions issued by the screed manufacturer.

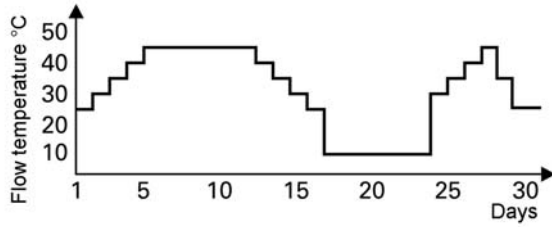
Various temperature profiles are available for selection.

Temperature profile: Diagram 1 (DIN 4725 part 4) code F1:1

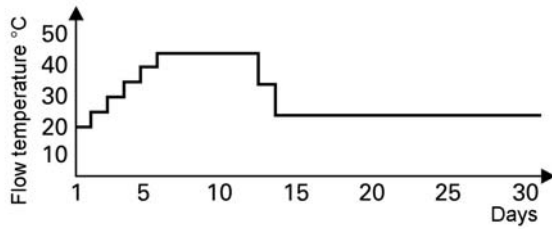


Control functions (cont.)

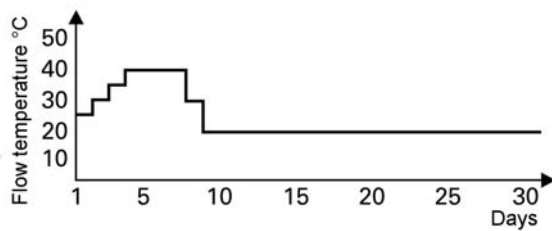
Temperature profile: Diagram 2 code F1:2



Temperature profile: Diagram 3 code F1:3



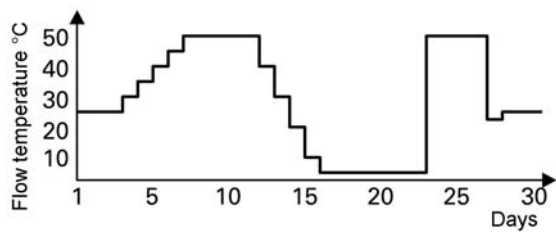
Temperature profile: Diagram 4 code F1:4



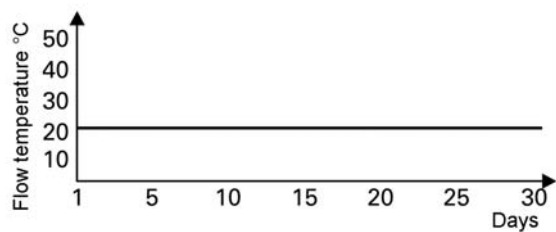
Function description

Control functions (cont.)

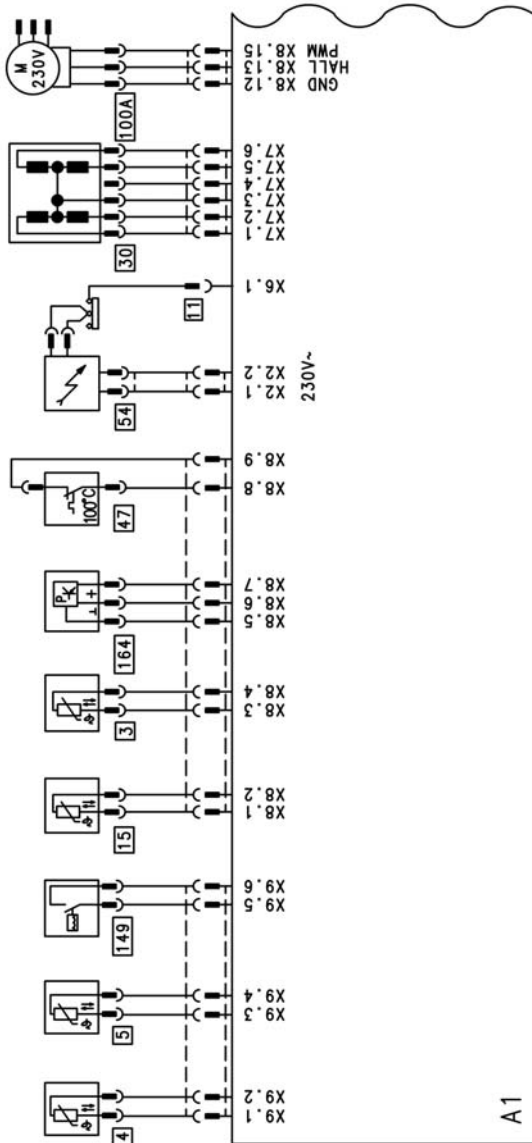
Temperature profile: Diagram 5 code F1:5



Temperature profile: Factory-set code F1:6 to F1:15



Connection and wiring diagrams – internal connections



5692.537 GB

- A1 Main PCB
- 3 Boiler temperature sensor

- 4 DHW outlet sensor

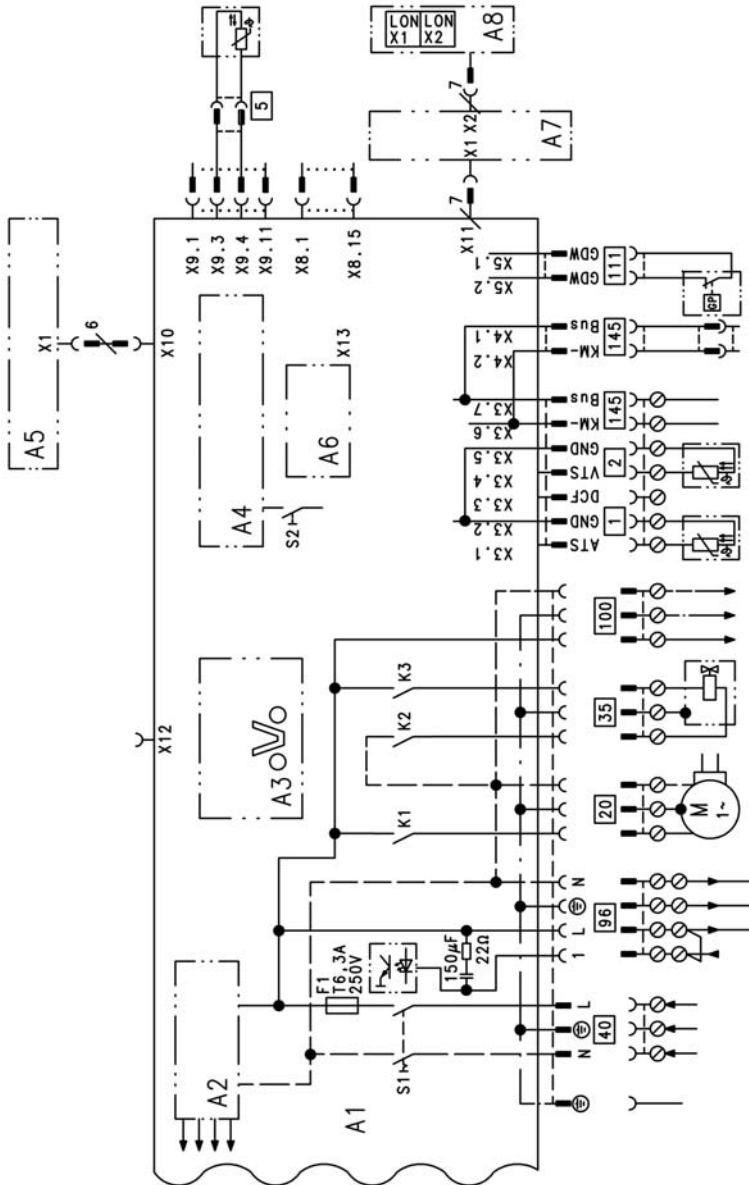


Designs

Connection and wiring diagrams – internal connectio . . . (cont.)

5	Cylinder temperature sensor (gas fired boiler)	30	Step motor for diverter valve
	Comfort sensor (gas combina- tion boiler)	47	Temperature limiter
	(plug on the cable harness)	54	Ignition unit
11	Ionisation electrode	100	Fan motor
15	Flue gas temperature sensor	149	Flow switch
		164	Differential pressure sensor

Connection and wiring diagrams – external connections



5692.537 GB

A1 Main PCB

A2 Mains supply unit



Designs

Connection and wiring diagrams – external connectio . . . (cont.)

A3	Optolink	5	Cylinder temperature sensor
A4	Burner control unit	20	Internal circulation pump
A5	User interface	35	Gas solenoid valve
A6	Coding card	40	Power supply
A7	Connection adaptor	96	Mains power supply - accessories and Vitotrol 100
A8	LON communication module	100	Fan motor
S1	ON/OFF switch	111	Gas governor
S2	Reset button	145	KM BUS
1	Outside temperature sensor		
2	Flow temperature sensor low loss header		

Parts lists

Spare parts information

Quote the type and serial no. (see type plate) and the item no. of the required part (as per this parts list).

Obtain standard parts from your local supplier.

001 Quick-acting air vent valve	034 Return pipe
002 Connecting pipe	035 Ventilation air gasket
003 Temperature limiter	036 Flue gas gasket
004 Temperature sensor	037 Clip nut
005 Boiler adaptor grommets	038 Gaskets - plug-in connector (set)
006 Comfort heat exchanger temperature sensor* ¹	051 Burner (with items 050 and 052 to 064)
007 Profiled gasket	052 Ignition unit
008 Thermal insulation - heat exchanger* ¹	055 Burner gauze assembly
009 Safety spring	056 Fan
010 Pump motor	057 Differential pressure sensor
011 DHW valve	058 Gas train
012 Flue gas temperature sensor	059 Conversion kit for natural gas E (gas restrictor)
013 Siphon	060 Conversion kit for natural gas LL (gas restrictor)
014 Heat exchanger	061 Conversion kit for LPG P (gas restrictor)
015 Heat exchanger siphon connection	064 Burner gauze assembly gasket
017 O ring 28 x 2.5	080 Vitodens control unit
018 Condensate hose	081 Rear cover
019 Boiler connection plug	082 Support
020 Heat exchanger gasket set* ¹	083 Damper
021 Plate heat exchanger* ¹	084 Pressure gauge retainer
022 Pressure gauge	085 Clip
023 Flow switch* ¹	086 Hinge
024 Water level limiter* ¹	087 Internal extension (accessory)
025 Linear step motor	088 LON Communication module (accessory)
026 Boiler adaptor (with items 019, 035, 036)	089 Connection adaptor
027 Diaphragm expansion vessel connection assembly	090 Coding card
028 Retainer - plug-in connector	091 Fuses (10 pieces)
029 Front plate (with item 030)	092 User interface for constant temperature operation
030 Fixing clip	093 Operating interface for weather-compensated operation
031 Interlocking connector	
032 Cover profile (with item 007)	
033 Gas supply pipe	

*¹Only for serial no. 7176538...



Parts lists

Parts lists (cont.)

- 095 Locking clips (10 pieces)
- 110 Outside temperature sensor

Wearing parts

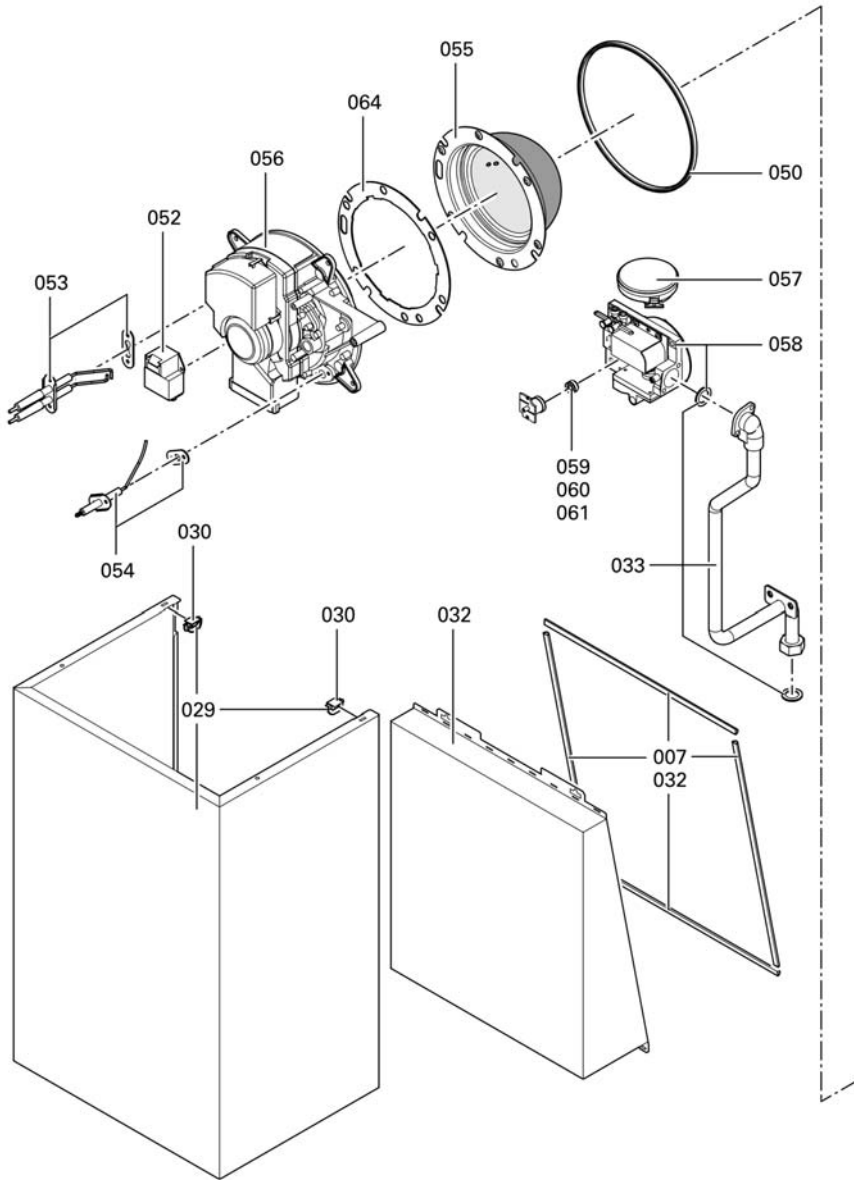
- 050 Burner gasket
- 053 Ignition electrode with gasket
- 054 Ionisation electrode with gasket
- 062 Burner maintenance set
- 063 Set of small burner parts
- 065 Insulation ring

Parts not shown

- 016 Special grease
- 017 Heat conducting paste
- 039 Fixing parts (set)
- 097 Cable harness X8/X9

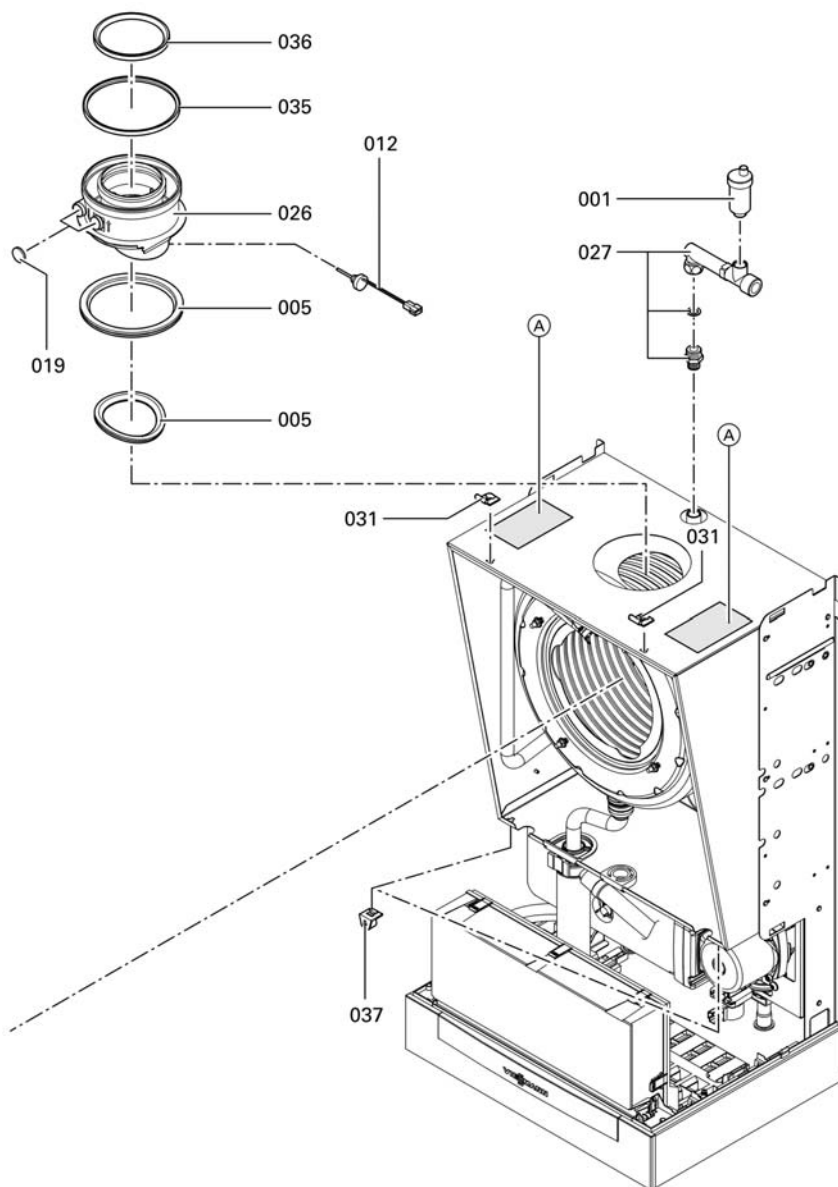
- 098 Cable harness 100/35/34 (auxiliary earth)
- 099 Step motor connecting cable
- 100 Cable harness ionisation/KM BUS (internal)
- 101 Internal ionisation lead
- 104 Adaptor - ionisation current test cable
- 150 Installation instructions
- 151 Service instructions
- 153 Operating instructions for constant temperature operation
- 154 Operating instructions for weather-compensated operation
- 156 Touch-up paint stick, Vitowhite
- 157 Touch-up spray paint, Vitowhite
- Ⓐ Type plate

Parts lists (cont.)

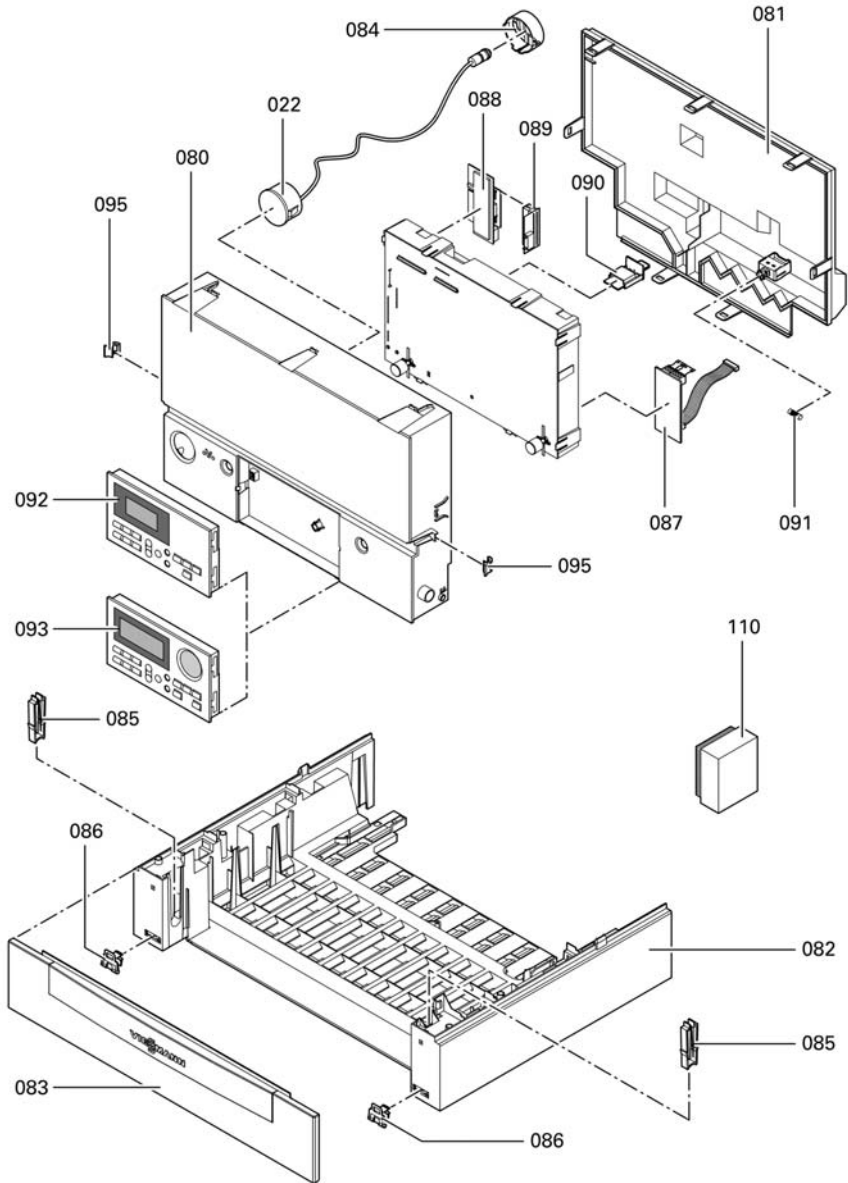


Parts lists

Parts lists (cont.)

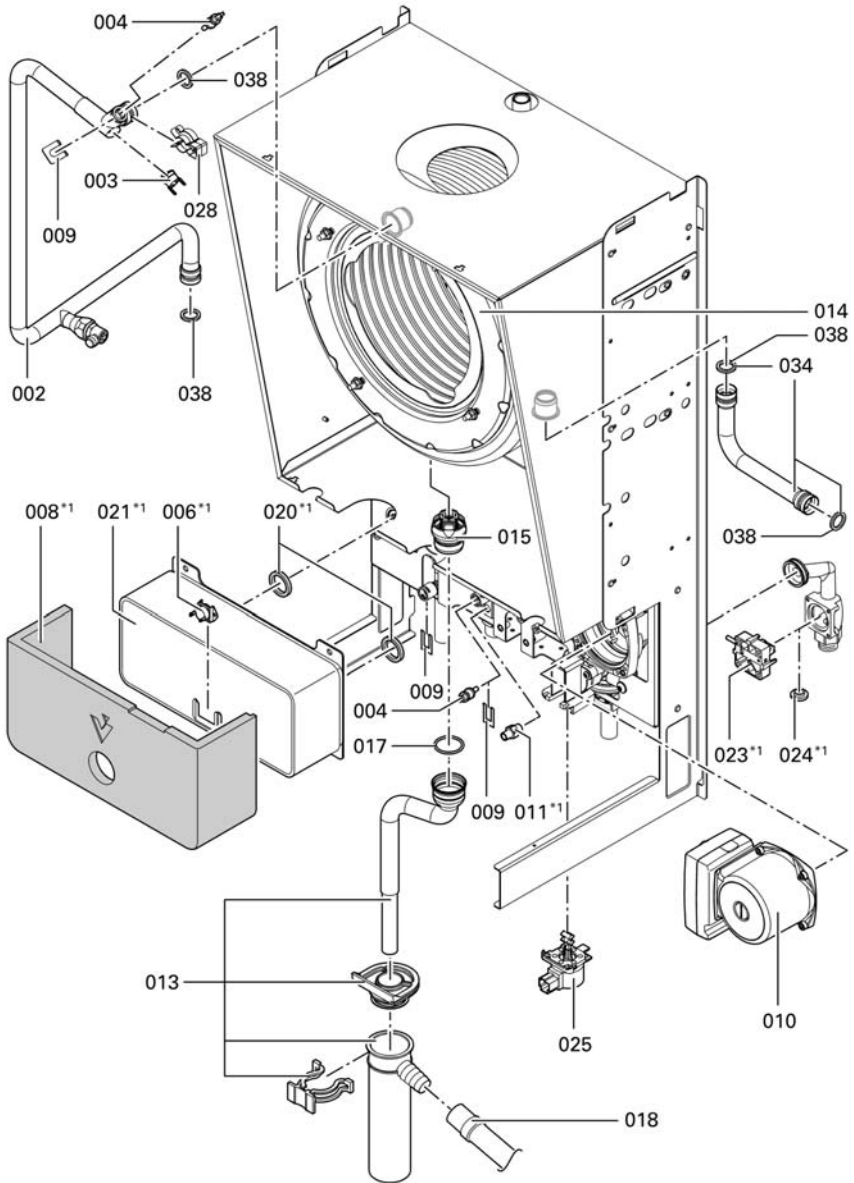


Parts lists (cont.)



Parts lists

Parts lists (cont.)



Parts lists (cont.)

Commissioning/service reports

Commissioning/service reports

Setting and test values	Date: By:	Set value	Initial start-up
Static pressure	<i>mbar</i>	max. 57.5 mbar	
Supply pressure (flow pressure)			
<input type="checkbox"/> for natural gas E	<i>mbar</i>	17.4 to 57.5 mbar	
<input type="checkbox"/> for natural gas LL	<i>mbar</i>	17.4 to 57.5 mbar	
<input type="checkbox"/> for LPG	<i>mbar</i>	42.5 to 57.5 mbar	
<i>Tick gas type</i>			
Carbon dioxide content CO₂			
■ at lower rated output	<i>% by vol.</i>		
■ at upper rated output	<i>% by vol.</i>		
Oxygen content O₂			
■ at lower rated output	<i>% by vol.</i>		
■ at upper rated output	<i>% by vol.</i>		
Carbon monoxide content CO			
■ at lower rated output	<i>ppm</i>		
■ at upper rated output	<i>ppm</i>		
Ionisation current	<i>µA</i>	min. 5 µA	

Commissioning/service reports (cont.)

Maintenance/service	Maintenance/service	Maintenance/service	Maintenance/service

Commissioning/service reports

Commissioning/service reports (cont.)

Setting and test values	Set value	Maintenance/ service
Date:		
By:		
Static pressure	<i>mbar</i>	max. 57.5 mbar
Supply pressure (flow pressure)		
<input type="checkbox"/> for natural gas E	<i>mbar</i>	17.4 to 57.5 mbar
<input type="checkbox"/> for natural gas LL	<i>mbar</i>	17.4 to 57.5 mbar
<input type="checkbox"/> for LPG	<i>mbar</i>	42.5 to 57.5 mbar
<i>Tick gas type</i>		
Carbon dioxide content CO₂		
■ at lower rated output	<i>% by vol.</i>	
■ at upper rated output	<i>% by vol.</i>	
Oxygen content O₂		
■ at lower rated output	<i>% by vol.</i>	
■ at upper rated output	<i>% by vol.</i>	
Carbon monoxide content CO		
■ at lower rated output	<i>ppm</i>	
■ at upper rated output	<i>ppm</i>	
Ionisation current	<i>µA</i>	min. 5 µA

Commissioning/service reports (cont.)

Maintenance/ser- vice	Maintenance/ service	Maintenance/ service	Maintenance/ser- vice

Commissioning/service reports

Commissioning/service reports (cont.)

Setting and test values	Set value	Maintenance/ service
Date:		
By:		
Static pressure	<i>mbar</i>	max. 57.5 mbar
Supply pressure (flow pressure)		
<input type="checkbox"/> for natural gas E	<i>mbar</i>	17.4 to 57.5 mbar
<input type="checkbox"/> for natural gas LL	<i>mbar</i>	17.4 to 57.5 mbar
<input type="checkbox"/> for LPG	<i>mbar</i>	42.5 to 57.5 mbar
<i>Tick gas type</i>		
Carbon dioxide content CO₂		
■ at lower rated output	<i>% by vol.</i>	
■ at upper rated output	<i>% by vol.</i>	
Oxygen content O₂		
■ at lower rated output	<i>% by vol.</i>	
■ at upper rated output	<i>% by vol.</i>	
Carbon monoxide content CO		
■ at lower rated output	<i>ppm</i>	
■ at upper rated output	<i>ppm</i>	
Ionisation current	<i>µA</i>	min. 5 µA

Commissioning/service reports (cont.)

Maintenance/service	Maintenance/service	Maintenance/service	Maintenance/service

Specification

Specification

Rated voltage:	230 V~	Electronic temperature limiter setting:	82 °C (fixed)
Rated frequency:	50 Hz	Temperature limiter setting:	100 °C (fixed)
Rated current :	6.0 A~	Mains fuse:	max. 16 A
Safety class:	I		
	IP X 4 D to		
Protection level:	EN 60529		
Permissible ambient temperature		Power consumption	
■ in operation:	0 to +40 °C	■ Circulation pump:	max. 115 W
■ during storage and transport:	-20 to +65 °C	■ Burner:	max. 60 W
		■ Control unit:	max. 10 W

Gas fired boiler, category II 2ELL3P

Rated output range Tv/TR 50/30 °C	kW	6.6 to 26	8.7 to 35
Rated heat load range	kW	6.3 to 24.7	8.3 to 33.3
Connection values*1			
Relative to the max. load with			
	with H _{uB}		
Natural gas E	9.45 kWh/m ³	m ³ /h	2.61
	34.02 MJ/m ³		3.52
Natural gas LL	8.13 kWh/m ³	m ³ /h	3.04
	29.25 MJ/m ³		4.10
LPG	12.79 kWh/m ³	kg/h	3.88
	46.04 MJ/m ³		5.24
Product ID	CE-0085 BO 0338		

Product characteristics (to EnEV [Germany])

Rated output range	kW	6.6 to 26	8.7 to 35
Efficiency at			
■ 100 % of rated output	%	96.3	96.5
■ 30 % of rated output	%	107.4	108.3
Standby loss q _{B,70} *2	%	0.7	0.5
Power consumption*2 for			
■ 100 % of rated output	W	207	238
■ 30 % of rated output	W	69	79

*1 The supply values are only for reference (e.g. in the gas contract application) or to estimate the supplementary volumetric settings. Because of factory settings, the gas pressure must not be altered from these values. Reference: 15 °C, 1013 mbar.

*2 Max. limit to EnEV.

Declaration of conformity

Declaration of conformity for Vitodens 300

We, Viessmann Werke GmbH & Co KG, D-35107 Allendorf, declare as sole responsible body, that the product

Vitodens 300

conforms to the following standards:

DIN 4702-6
EN 297
EN 483
EN 625
EN 677
EN 50 165
EN 60 335
EN 61 000-3-2
EN 61 000-3-3

This product is designated in accordance with the following directives:

90/396/EEC
89/336/EEC
73/23/EEC
92/42/EEC

as follows:

CE-0085

EC Declaration of conformity by an authorised body according to EMVG article 10.2 Certificate number: E9 02 08 1730.

This product complies with the requirements of the Efficiency Directive (92/42/EEC) for:

Condensing boilers

The product characteristics determined as system values for the product **Vitodens 300 as part of EC type testing according to the Efficiency Directive** (see specification table), can be utilised to assess the energy consumption of heating and ventilation equipment to DIN V 4701-10 which is specified by the EnEV [Germany].

Allendorf, 14.01.04

Viessmann Werke GmbH&Co KG



pp. Manfred Sommer

Certificates

Manufacturer's certificate according to the 1st BImSchV [Germany]

We, Viessmann Werke GmbH & Co KG, D-35107 Allendorf, confirm that the following product meets the NO_x limits specified by 1st BImSchV Paragraph 7 (2) [Germany]:

Vitodens 300

Allendorf, 14.01.04

Viessmann Werk GmbH&Co KG

A handwritten signature in black ink, appearing to read 'M. Sommer', written in a cursive style.

pp. Manfred Sommer

Keyword index

A	
Adjusting the room temperature	37
B	
Boiler temperature sensor	87
Brief scans	65
Burner gauze assembly	21
Burner installation	23
Burner removal	20
C	
Checking the differential pressure sensor	92
Cleaning agent	23
Cleaning the combustion chamber	23
Code	40
Code 1	40
Code 2	43
Coding during commissioning	27
Comfort sensor	88
Commissioning	7
Condensate drain	24
Cylinder temperature sensor	87
D	
Declaration of conformity	127
Deleting codes	63
E	
Extension kit for heating circuit with mixer	95
Extension	
■ external	102, 103
■ internal	100, 101
External blocking	105
External demand	105
F	
Fault history	74
Fault messages	74, 76
Filling function	105
Filling the system	7
Finding faults	75
Flow limiter	25
Flue gas temperature sensor	90
Function descriptions	96
Fuse	94
G	
Gas combination valve	14
Gas supply pressure	15
Gas type	11
H	
Heating curve	35
Heating curve slope	36
Heating surfaces	23
I	
Ignition	22
Ignition electrodes	22
Ionisation current	26
Ionisation electrode	22
L	
Language selection	10
Level	36
Level heating curve	36
LON communication module	33
LON system	33
LON user check	34
M	
Manufacturer's Declaration	128
O	
Operating mode changeover	104
Outlet temperature sensor	88
Outside temperature sensor	85

Keyword index

Keyword index (cont.)

P

Parts list	113
Plate heat exchanger	91
Product characteristics	126

R

Relay test	69
Resetting the coding to the delivered condition	63

S

Safety chain	92
Scanning	65
Scanning operating conditions	71
Scanning sensors	71
Screed drying	106
Screed function	106
Service level summary	64
Service report	120, 122, 124
Setting the date	11
Setting the output	18
Setting the time	11
Setting up LON user numbers	33
Siphon	10, 24
Slope	36
Soundness test, balanced flue system	19
Specification	126
Static pressure	14
Supply pressure	14
System designs	27, 41
System pressure	7

T

Temperature limiter	
■ Thermocouple	92
Temperature scans	65
Testing functions	69
Testing outputs	69

V

Venting	9
Venting program	105
Vitotronic 050	95

W

Wiring diagrams	109
-----------------------	-----



Applicability

Gas fired condensing boiler

Type WB3A

6.6 to 26 kW

from serial no.

7176 537 3 00001

8.7 to 35 kW

from serial no.

7176 539 3 00001

Gas fired condensing combination boiler

Type WB3A

6.6 to 26 kW

from serial no.

7176 538 3 00001

Viessmann Limited

Hortonwood 30, Telford, TF1 7YP, GB

Telephone: +44 1952 675000

Fax: +44 1952 675040

www.viessmann.co.uk

5692 537 GB Subject to technical modifications