

Installation and service instructions

for contractors

VIESMANN

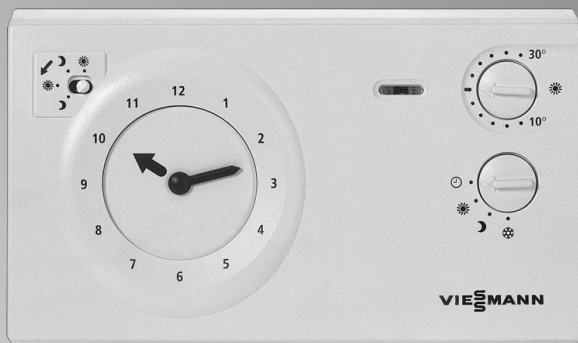
Vitotrol 100 Type UTA

Room thermostat for the Vitotronic 100

For applicability, see the last page



VITOTROL 100



Safety instructions



Please follow these safety instructions closely to prevent accidents and material losses.

Safety instructions explained



Danger

This symbol warns against the risk of injury.



Please note

This symbol warns against the risk of material losses and environmental pollution.

Note

Details identified by the word "Note" contain additional information.

Target group

These instructions are exclusively designed for qualified personnel.

- Work on gas equipment must only be carried out by a qualified gas fitter.
- Work on electrical equipment must only be carried out by a qualified electrician.
- The system must be commissioned by the system installer or a qualified person authorised by the installer.

Regulations

Observe the following when working on this system

- all legal instructions regarding the prevention of accidents,
- all legal instructions regarding environmental protection,
- the Code of Practice of relevant trade associations,

- all current safety regulations as defined by DIN, EN, DVGW, TRGI, TRF, VDE and all locally applicable standards,
- Gas Safety (Installation & Use) Regulations
 - the appropriate Building Regulation either the Building regulations, the Building Regulation (Scotland), Building Regulations (Northern Ireland),
 - the Water Fittings Regulation or Water Bylaws in Scotland,
 - the current I.E.E. Wiring Regulations.

If you smell gas



Danger

Escaping gas can lead to explosions which may result in serious injury.

- Never smoke. Prevent naked flames and sparks. Never switch lights or electrical appliances ON or OFF.
- Close the gas shut-off valve.
- Open windows and doors.
- Remove all people from the danger zone.
- Notify your gas or electricity supplier from outside the building.
- Shut off the electricity supply to the building from a safe place (outside the building).

Safety instructions (cont.)

If you smell flue gas



Danger

Flue gas can lead to life-threatening poisoning.

- Shut down the heating system.
- Ventilate the boiler room.
- Close all doors leading to the living space.

Working on the system

- When using gas as fuel, also close the main gas shut-off valve and safeguard against unauthorised reopening.
- Isolate the system from the power supply and check that it is no longer 'live', e.g. by removing a separate fuse or by means of a main isolator.
- Safeguard the system against unauthorised reconnection.



Please note

Electronic modules can be damaged by electro-static discharges.

Touch earthed objects, such as heating or water pipes, to discharge static loads.

Repair work



Please note

Repairing components which fulfil a safety function can compromise the safe operation of your heating system.

Replace faulty components only with original Viessmann spare parts.

Ancillary components, spare and wearing parts



Please note

Spare and wearing parts which have not been tested together with the heating system can compromise its function. Installing non-authorised components and non-approved modifications/conversion can compromise safety and may invalidate our warranty. For replacements, use only original spare parts from Viessmann or those which are approved by Viessmann.

Index

Installation instructions

Preparing for installation

Installation site..... 5

Installation sequence

Fitting the room thermostat..... 6

Electrical connection..... 6

Adjusting the room thermostat..... 9

Service instructions

Specification..... 12

Certificates

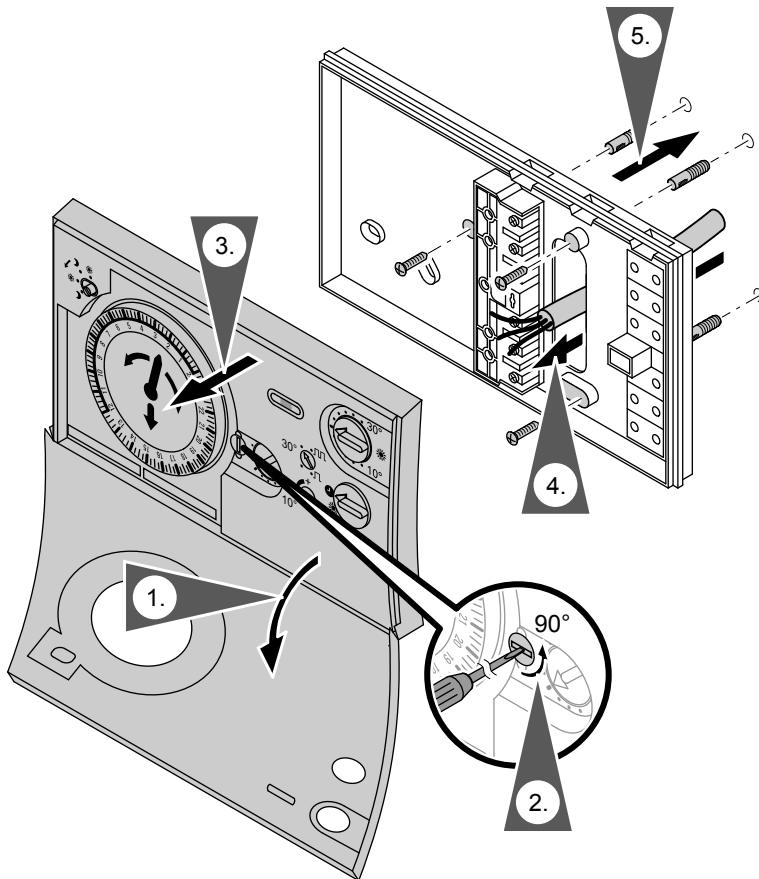
Declaration of conformity..... 13

Installation site

- In the main living room on an internal wall opposite radiators.
- Approximately 1.5 m above floor level.
- Away from windows or doors.
- Not on shelves or in recesses.
- Away from heat sources (radiators, direct sunlight, fireplace, TV set etc.).

Never install further controllers in this main living room. If the radiators are equipped with thermostatic valves, these must always be fully opened.

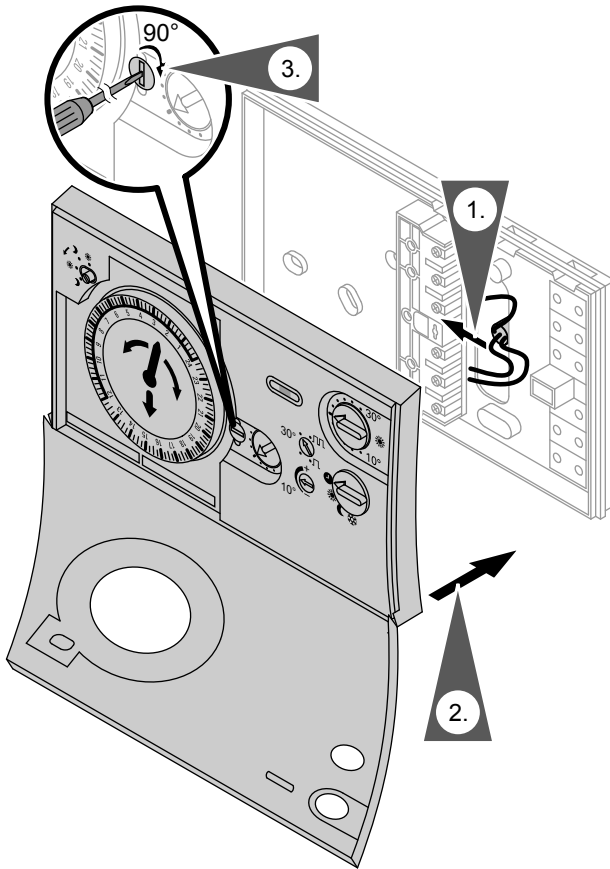
Fitting the room thermostat



Electrical connection

Recommended connecting cable:

- Without earth conductor: 3 x 1.5 mm²
- With earth conductor: 4 x 1.5 mm²

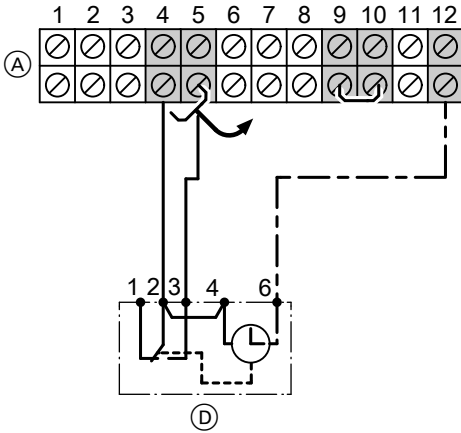
Electrical connection (cont.)**Information on step 1**

Press cables flat into the base.

Wiring subject to the type of Vitotronic 100, see the following chapter.

Electrical connection (cont.)

Connection to the Vitotronic 100 with a terminal strip

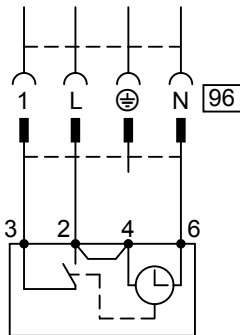


(A) Terminal strip inside the Vitotronic 100, type KC3

(D) Vitotrol 100, type UTA

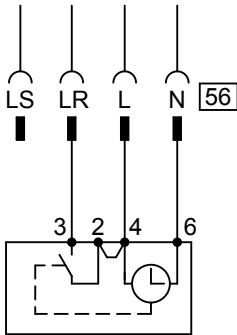
Remove jumper across terminals 4 and 5.

Connection to the Vitotronic 100 with plug 96



Electrical connection (cont.)

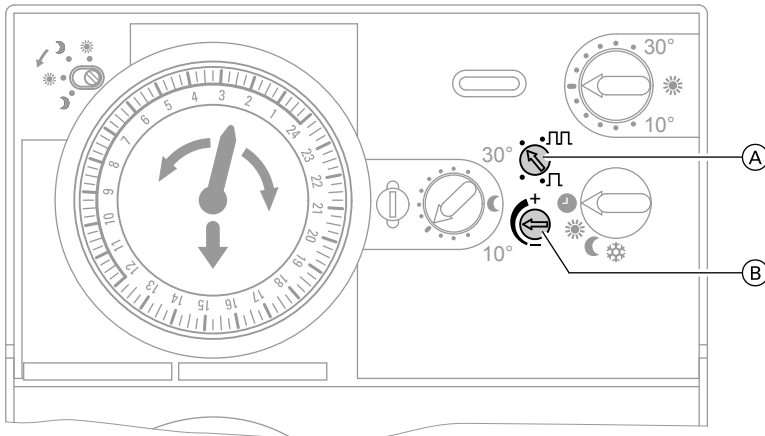
Connection to the Vitotronic 100 with plug 56



Adjusting the room thermostat

Note

Set room thermostat code, if required; see the installation and service instructions for the Vitotronic control unit.



- (A) Controller for electronic feedback
- (B) Controller for adjusting the temperature

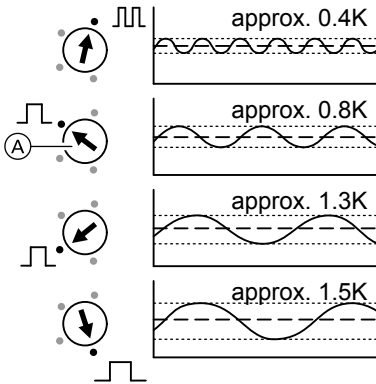
Adjusting the room thermostat (cont.)

Electronic feedback (setting the hysteresis)

The switching hysteresis is influenced by the electronic feedback.

The Vitotrol 100 is set up at the factory for standard mode. Only change this setting if the control unit must be adapted to the heating system.

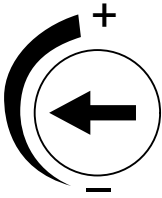
Bring the controller for the electronic feedback into the required position using a screwdriver.



(A) Standard mode (delivered condition)

Temperature adjustment

To adapt to local conditions, a temperature adjustment may be required, such as when installing it on a cold concrete wall, for example.

Adjusting the room thermostat (cont.)

- Regulated temperature too high:
To adjust the temperature, turn the controller towards "-"
- Regulated temperature too low:
To adjust the temperature, turn the controller towards "+"

Repeat if required after the room temperature has stabilised.

Note

Following commissioning, the Vitotrol 100 needs around 1 hour to adjust to its ambient temperature. Users should only then make adjustments to suit their personal requirements.

Specification

Specification

Rated voltage	230 V~/50 Hz
Rated breaking capacity of the contact	6 A/250 V~ 1 A/250 V~ $\cos\varphi = 0.6$
Switching hysteresis	0.4 to 1.5 K
Power consumption	2 W
Safety category	II
IP rating	IP 20
Ambient temperature	
■ During operation	5 to 40 °C
■ During storage and transport	-20 to +40 °C
Function	Type 1B to EN 60730-1

Declaration of conformity

We, Viessmann Werke GmbH&Co KG, D-35107 Allendorf, confirm as sole responsible body that the product **Vitotrol 100, type UTA complies** with the following standards:

EN 60 730-1
EN 60 730-2-9

In accordance with the following Directives, this product is designated with **CE**:

2011/65/EC
2004/108/EC
2006/95/EC

Allendorf, 29/10/2012

Viessmann Werke GmbH&Co KG



Authorised signatory Manfred Sommer





Applicability

Serial No.:

7170149

Viessmann Werke GmbH&Co KG
D-35107 Allendorf
Telephone: +49 6452 70-0
Fax: +49 6452 70-2780
www.viessmann.com

Viessmann Limited
Hortonwood 30, Telford
Shropshire, TF1 7YP, GB
Telephone: +44 1952 675000
Fax: +44 1952 675040
E-mail: info-uk@viessmann.com

5862 628 GB Subject to technical modifications.