

Installation and service instructions

for contractors

VIESSMANN

Vitodens 100-W

Type WB1A

Gas fired wall mounted condensing boiler

Natural gas version

For applicability, see the last page



VITODENS 100-W



Safety instructions



Please follow these safety instructions closely to prevent accidents and material losses.

Safety instructions explained



Danger

This symbol warns against the risk of injury.



Please note

This symbol warns against the risk of material losses and environmental pollution.

Note

Details identified by the word "Note" contain additional information.

Target group

These instructions are exclusively designed for qualified personnel.

- Work on gas equipment must only be carried out by a CORGI registered gas fitter.
- Electrical work must be compliant with Part P of the building regulations
- The system must be commissioned by the system installer or a qualified person authorised by the installer.

If you notice the smell of gas



Danger

Escaping gas can cause explosions which may lead to serious injury.

- Do not smoke. Prevent naked flames and sparks. Never operate light switches or those of electrical equipment.
- Open windows and doors.
- Close the gas shut-off valve.
- Remove all personnel from the danger zone.
- Observe the safety regulations of your local gas supplier, found on the gas meter.
- Notify your heating contractor from outside the building.

If you smell flue gas



Danger

Flue gas may lead to life-threatening poisoning.

- Heating system shutdown
- Ventilate the boiler room.
- Close all doors leading to the living space.
- Do not operate electrical switches.

Safety instructions (cont.)**Working on the heating system**

- Isolate the system from the mains electric power supply, e.g. by removing a separate fuse or by means of a mains electrical isolator, and check that it is no longer 'live'.
- Isolate the gas supply and safeguard against unauthorised reopening.

Repair work

- ! **Please note**
Repairing components which fulfil a safety function can compromise the safe operation of your heating system.
Replace faulty components only with original Viessmann spare parts.

Ancillary components, spare and wearing parts

- ! **Please note**
Spare and wearing parts which have not been tested together with the heating system can compromise its function. Installing non-authorised components and non-approved modifications/conversion can compromise safety and may infringe our warranty conditions.
For replacements, use only original spare parts from Viessmann or those which are approved by Viessmann.

Index	
Installation instructions	
Preparing for installation	
Product information	5
Preparing for installation	5
Installation sequence	
Installing the boiler and making all connections	42
Flue outlet	49
Electrical connections.....	50
Commissioning and testing	56
Service instructions	
Commissioning, inspection, maintenance	64
Service Instructions	
Routine Servicing Instructions	64
Troubleshooting	
Fault finding.....	75
Repairs	79
Designs	
Connection and wiring diagrams – combi boiler	87
Connection and wiring diagram - system boiler.....	89
Parts lists	91
Commissioning/service reports	98
Certificates	
Declaration of conformity	102
Keyword index	103

Product information

Vitodens100-W, WB1A

Set up for operation with natural gas.

Preparing for installation

General Information

Appliance description

The Vitodens 100-W is a fully automatic, wall hung, fan assisted balanced flue condensing boiler for use with Natural Gas (G20).

The Vitodens 100-W is fully modulating and provides central heating outputs between 8.0 kW (27,300Btu/h) and 24.0 kW (84,300Btu/h)/30.0 kW (93,550 Btu/h) and instantaneous hot water at outputs between 8.0 kW (27,300 Btu/h) and 24.0 kW (84,300Btu/h)/30.0 kW (93,550 Btu/h).

The appliance always gives priority to domestic hot water supply.

The appliance is designed for use with sealed primary water systems (only) and incorporates a circulation pump, diverter valve assembly, flow switch (combi boiler only), DHW plate heat exchanger (combi boiler only), safety valve and CH expansion vessel. A separate DHW expansion vessel is not required.

Internal frost protection and an electronic control unit is fitted as standard equipment and the boiler may be used with any suitable room thermostat and / or time clock in addition to the optional controls available from Viessmann.

Asbestos, mercury or CFC's have not and will not be used in this product.

Certification details

The Vitodens 100-W is certified to comply with the requirements of EN 483, EN 625 and EN 677 for use in GB and IE (Great Britain and Ireland) using gas category 2H (G20 with a governed gas supply at 20 mbar (8 in. wg) inlet pressure).

The appliance classification is either C_{13x} or C_{33x} depending upon whether a horizontal or vertical flue terminal is used.

Technical Specification

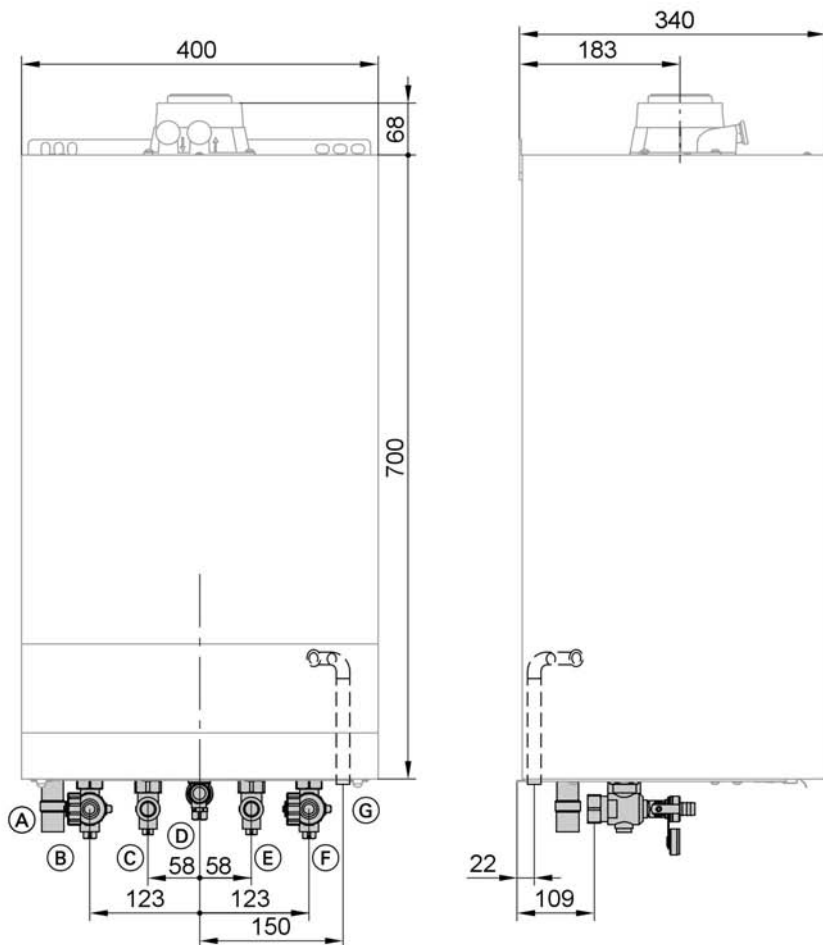
General Specifications and Performance Data.

Vitodens 100-W WB1A				
Appliance		Combi 24 kW	Combi 30 kW	System 24 kW
Mode	Unit			
Rated central heating output				
Tf/Tr 50/30 °C (condensing)	kW	8 to 24	8 to 30	8 to 24
Tf/Tr 80/60 °C (non condensing)	kW	7.3 to 21.8	7.3 to 27.3	7.3 to 21.8
Rated central heating input (net)	kW	7.4 to 22.3	7.4 to 28.0	7.4 to 22.3
Domestic hot water output range	kW	21.8	27.3	n/a
Maximum gas rate (CH mode)	m ³ /h	2.36	2.96	2.36
Seasonal efficiency (SEDBUK)	%	90.1	90.1	90.1
SEDBUK rating		A		
No _x classification		Class 5		
DHW performance @ 35°C temp rise	l/min	8.9	11.2	n/a
DHW temperature range	°C	30-60		n/a
Maximum mains water inlet pressure	bar	10		n/a
Minimum mains water inlet pressure for max DHW flow rate	bar	1		n/a
Minimum mains water inlet pressure for operation	bar	0.5		n/a
Minimum DHW flow rate for operation	l/min	2		n/a
Minimum CH system pressure - cold	bar	1		
Maximum CH system pressure - hot	bar	3		
CH flow temperature	°C	30 to 80		
Integral expansion vessel capacity	ltr	8		
Integral expansion vessel pre-charge pressure	bar	0.75		
Max CH system water content using fitted expansion vessel @ 0.75 bar and 80°C	ltr	125		
Total water capacity	ltr	3.5	3.5	3.5
Lift weight	kg	43	43	43
Total weight (incl packaging)	kg	48	48	48
Electricity supply		230v, 50Hz		
Internal fuse	A	4		
Maximum power consumption	W	145	145	145
Water protection rating		IP x4D		
Inner flue duct diameter	mm	60		
Outer flue duct diameter	mm	100		
Gas council number		47-819-04	47-819-05	41-819-09
Product ID		CE-0085 BQ 0017		

Preparing for installation (cont.)

Overall Appliance Dimensions

Combi boiler

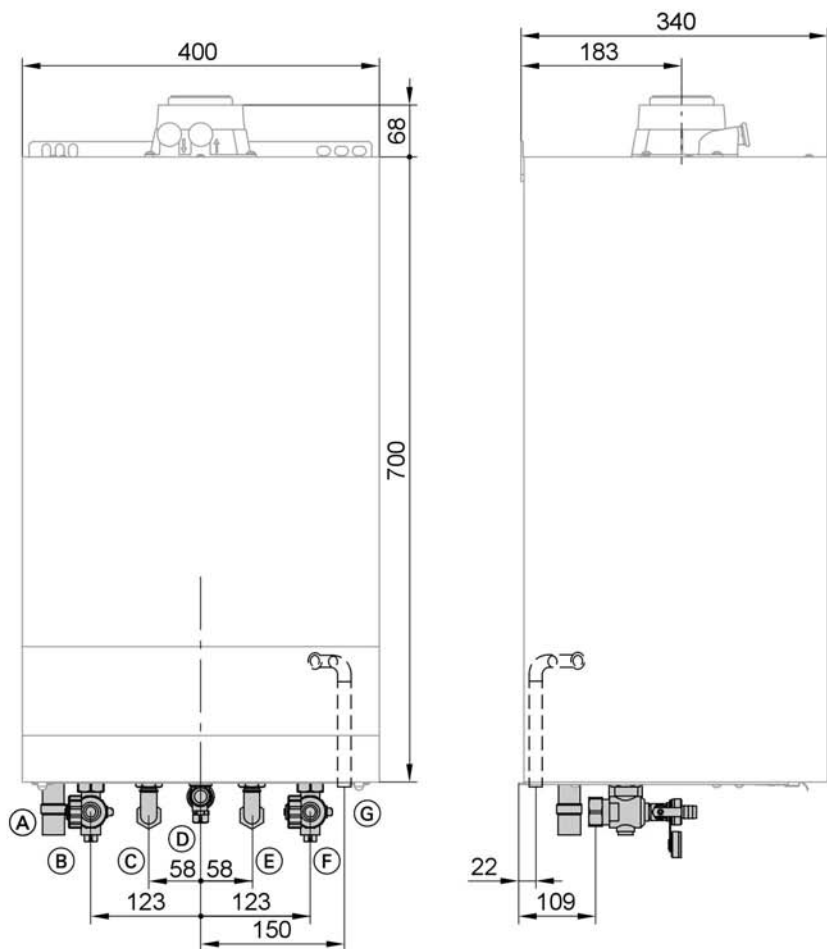


- (A) Condensate drain: Plastic pipe
Ø22 mm
- (B) Heating flow: Ø22 mm
- (C) DHW: Ø15 mm
- (D) Gas connection: Rp ½

- (E) Cold water: Ø15 mm
- (F) Heating return: Ø22 mm
- (G) Safety valve drain: Ø18 mm/
22 mm

Preparing for installation (cont.)

System boiler



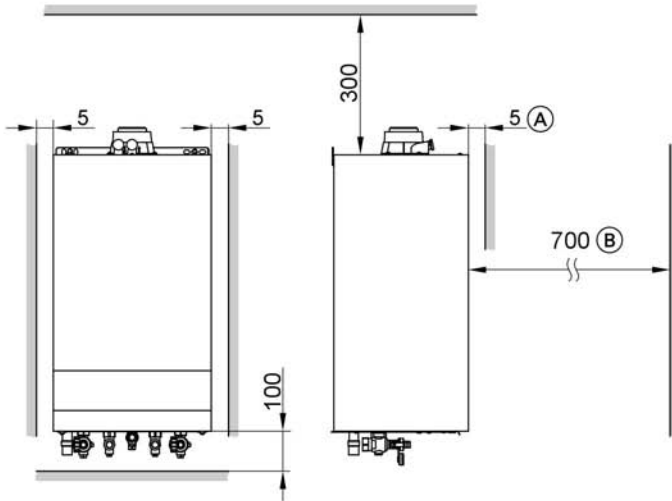
- (A) Condensate drain: Plastic pipe
Ø22 mm
- (B) Heating flow: Ø22 mm
- (C) DHW cylinder flow: Ø22 mm
- (D) Gas connection: Rp ½

- (E) DHW return: Ø22 mm
- (F) Heating return: Ø22 mm
- (G) Safety valve drain: Ø18 mm/
22 mm

Preparing for installation (cont.)

Minimum installation clearances

The following minimum clearances (mm) must be maintained for installing and servicing the appliance.



(A) Front (behind removable panel)

(B) Front (for service)

Flue System Specifications

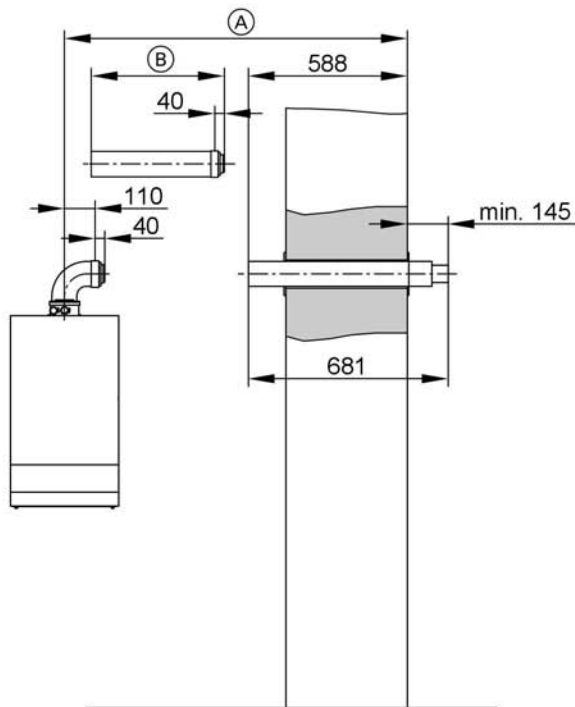
Concentric Horizontal Flue System

Standard horizontal flue kit: The appliance can be supplied complete with a standard concentric horizontal flue terminal assembly, suitable for flue lengths of up to 620 mm from the centre of the flue outlet, which equates to wall thicknesses of up to 480 mm for rear flues and 463 mm for side flues, including minimum clearances.

Extension ducts can be used to increase the straight flue length up to 6 m and include one 87° elbow.

Preparing for installation (cont.)

An extra 87° elbow can be used but this reduces the maximum permissible length by 1 m . An extra 45° elbow can be used but this reduces the maximum permissible length by 0.5 m .



Ⓐ Combined length of flue outlet/ventilation pipe max 6m.

Ⓑ Flue outlet/ventilation pipe (can be shortened as necessary)

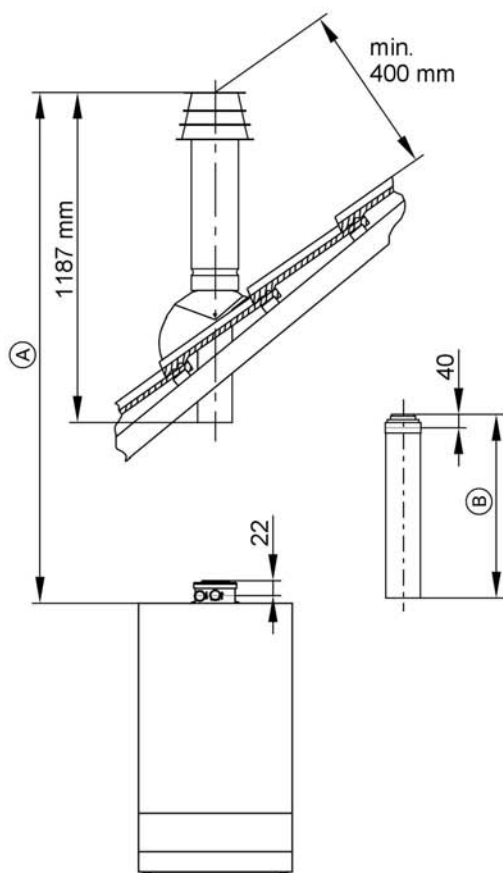
Concentric Vertical Flue System

The vertical flue kit (optional extra) with extensions may be used for up to 10 m applications.

An extra 87° elbow can be used but this reduces the maximum permissible length by 1 m . An extra 45° elbow can be used but this reduces the maximum permissible length by 0.5 m .

Preparing for installation (cont.)

Before commencing the installation refer to diagram below to determine which optional extension kits are required, if any.



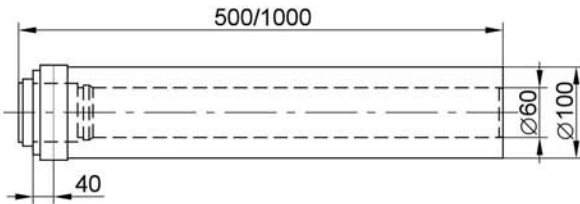
Ⓐ Combined length of flue outlet/ventilation pipe max. 10 m.

Ⓑ Flue outlet/ventilation pipe (can be shortened as necessary)

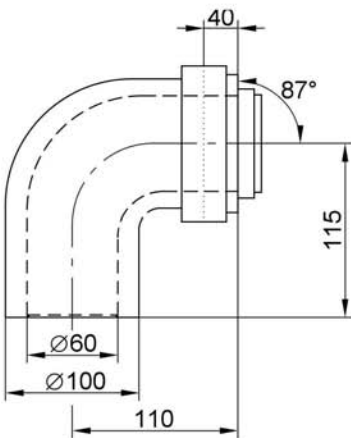
Preparing for installation

Preparing for installation (cont.)

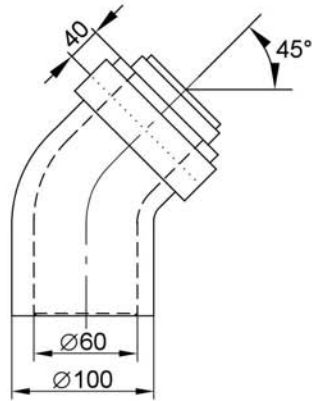
Elbows and extensions



Extension



Elbow 87°



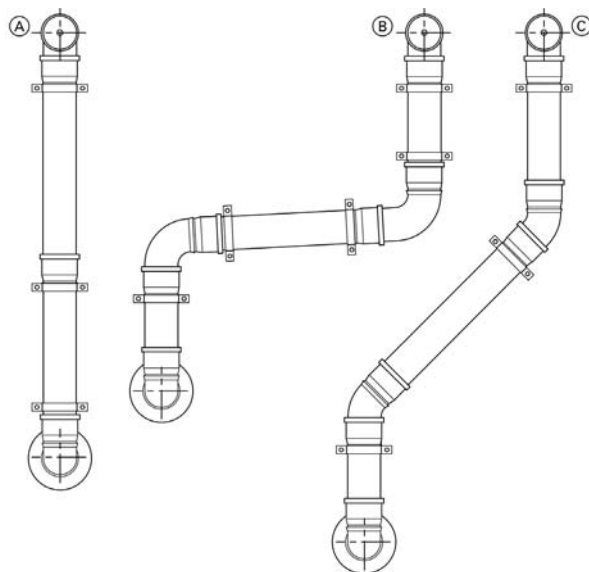
Elbow 45°

Preparing for Installation (cont.)

Plume kit installation instructions

The plume kit enables the relocation of the flue outlet of a standard horizontal flue system to another position and is available as an optional extra, please contact your supplier for further information.

Routing options



(A) Plume kit standard delivery 2m max length

(B) Plume kit standard delivery additional options:

- 2 x 87° bends
- 1 pipe 1m long

(C) Plume kit standard delivery additional options:

- 2 x 45° bends
- 1 pipe 1m long

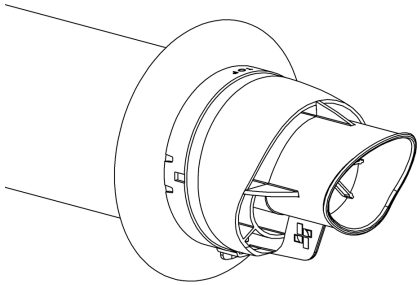
Ensure the max. length of the entire balanced flue system is not exceeded.

The max. length is reduced by 1m when using a further 87° bend or 2 x 45° bends.

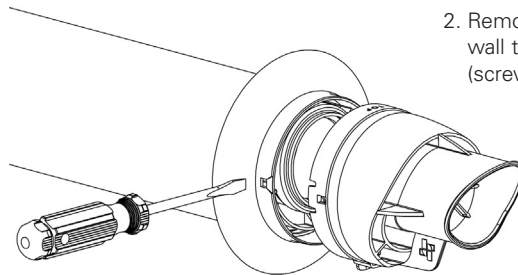
Deduct 3m from the max. possible standard concentric horizontal flue length and add the standard plume kit max length to give max. length of entire flue system. ie. 6m - 3m + 2m = 5m max.

Preparing for Installation (cont.)

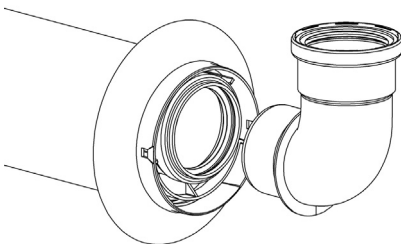
Flue kit installation instructions



1. Start



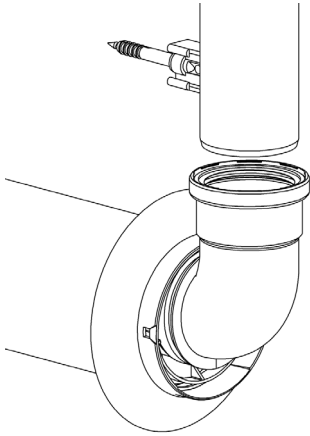
2. Remove the nozzle of the wall terminal with a tool (screwdriver)



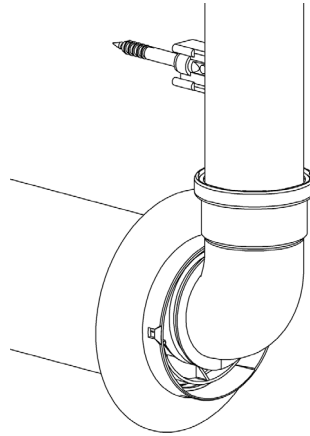
3. Mount the 90°. Its main advantage is that you can install this bend into the necessary angle by simply turning the outlet. Please do so.

Preparing for Installation (cont.)

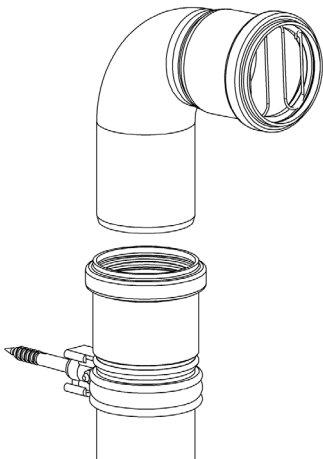
Flue kit installation instructions



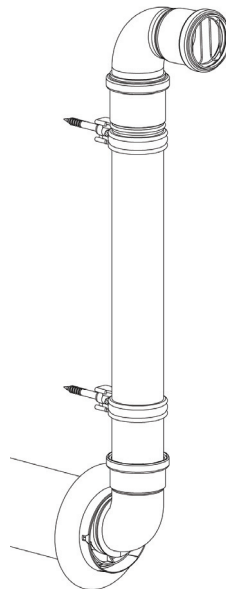
4. Connect the pipe to the bend.



5. Brace the pipe to the bend.
6. Continue step 4 and 5 until the desired height is reached.

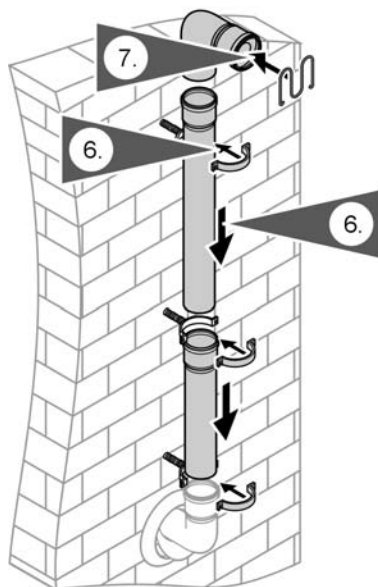


7. Connect the 87° bend with bird mesh to the last mounted pipe.



Preparing for Installation (cont.)

Fitting the plume kit (cont.)



6. Fit the flue pipes and bends in accordance with the selected installation method and secure with the fixing clamps supplied.
7. Insert the rodent protection grill into the uppermost bend.

Ventilation Requirements

Detailed recommendations for air supply are given in BS 5440:2. Please see additional notes below.

- It is not necessary to have a purpose provided air vent in the room or internal space in which the appliance is installed.
- If the boiler is to be installed in a cupboard or compartment, no permanent air vents are required for cooling purposes in the cupboard or compartment, however, it is essential to ensure that the minimum clearances stated (page 9) are maintained.

Hydraulic connections

Heating System (typical system designs)

- The Vitodens 100-W is designed for connection to sealed central heating water systems only.
- A sealed system must only be filled by a competent person.

Combination boiler

Note

The boiler incorporates an internal bypass to ensure adequate water flow. Certain thermostatic radiator valve manufacturers may require that a bypass valve is fitted in addition to the integral bypass.

Specifications as to the individual requirements should be sought prior to installation.

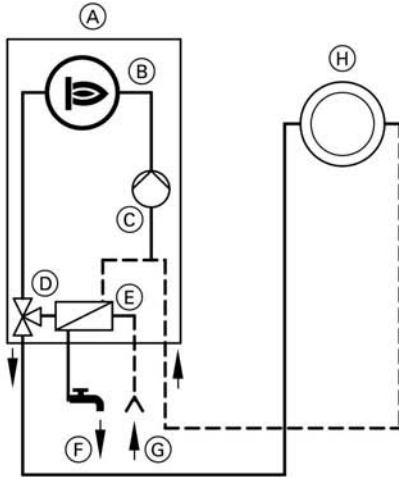
Filling Loop

This boiler is not fitted or supplied with a filling loop. Any filling loop being fitted should comply with the water supply (water fittings) regulations 1999 Section G24.1 and G24.2. A filling loop should be fitted at some point to allow the CH system to be filled.

Preparing for installation (cont.)

Hydraulic circuit

Combi boiler

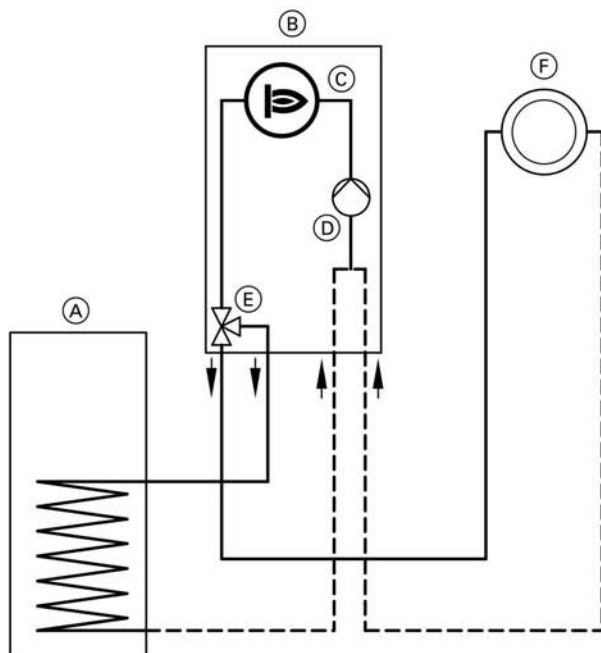


- Ⓐ Boiler
- Ⓑ heat exchanger
- Ⓒ circulation pump
- Ⓓ Three-way diverter valve

- Ⓔ Plate heat exchanger
- Ⓕ DHW outlet
- Ⓖ Cold water inlet
- Ⓗ Heating circuit

Preparing for installation (cont.)

System boiler

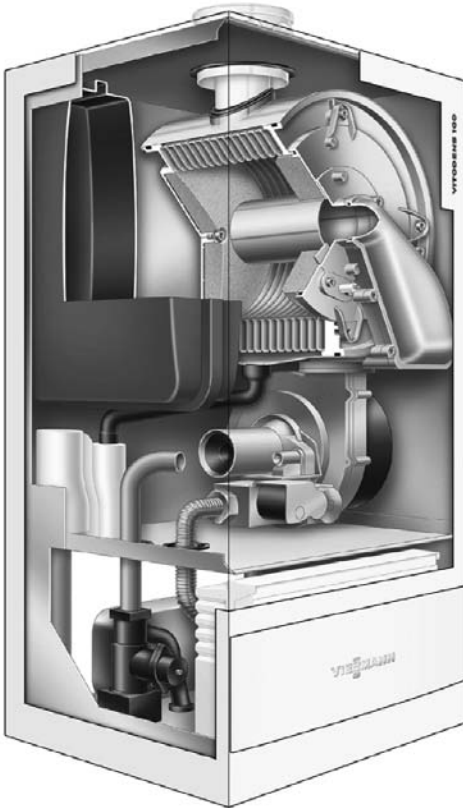


- Ⓐ DHW cylinder
- Ⓑ Boiler
- Ⓒ heat exchanger

- Ⓓ circulation pump
- Ⓔ Three-way diverter valve
- Ⓕ Heating circuit

Preparing for installation (cont.)

Sectional Diagram



Combi boiler illustrated

Installation requirements

Statutory requirements

The appliance is suitable only for installation in GB and IE and should be installed in accordance with the rules in force. In GB, a corgi Registered Installer must carry out the installation. It must be carried out in accordance with the relevant requirements of the:

Gas safety (installation and use) regulations (current issue)

It is in your own interest and safety to ensure that the law is complied with.

In addition to the above regulations, this appliance must be installed in accordance with the current IEE Wiring Regulations for electrical installation (BS 7671), local Building Regulations, the Building Standards (Scotland) (Consolidation) Regulations, bye laws of the local water undertaking and Health and Safety Document No. 635 'The Electricity at Work regulations 1989'.

In Ireland (IE), the installation must be carried out by a Competent Person and installed in accordance with the current edition of I.S.813 "Domestic Gas Installations", the current Building Regulations and reference should be made to the current ETCI rules for electrical installation.

It should also be in accordance with the relevant recommendations in the current editions of the following British Standards and Codes of Practice: BS 5449, BS 5546, BS 5440:1, BS 5440:2, BS 6798, BS 7593, BS 6891, IGE/UP/7 and IS 813 for IE

Boiler position

The following limitations must be observed when siting the boiler:

- The boiler is not suitable for external installation. The position selected for installation should be within the building, unless otherwise protected by a suitable enclosure and must allow adequate space for installation, servicing and operation of the appliance and for air circulation around it.

All CORGI Registered installers are required to notify building control when they have installed or exchanged a gas appliance in a residential dwelling, this can be done via CORGI.

CORGI will then issue either a Building Compliance Certificate (for England and Wales) or a Declaration of Safety (Scotland, Northern Ireland, Isle of Man or appliances out of the scope of Building Regulations) to the homeowner, which will confirm that the work has been carried out by a competent CORGI Registered Installer. This document will be used to form part of the Home Information Pack (HIP).



Please note

Manufacturers instructions must not be taken in any way as overriding statutory obligations.

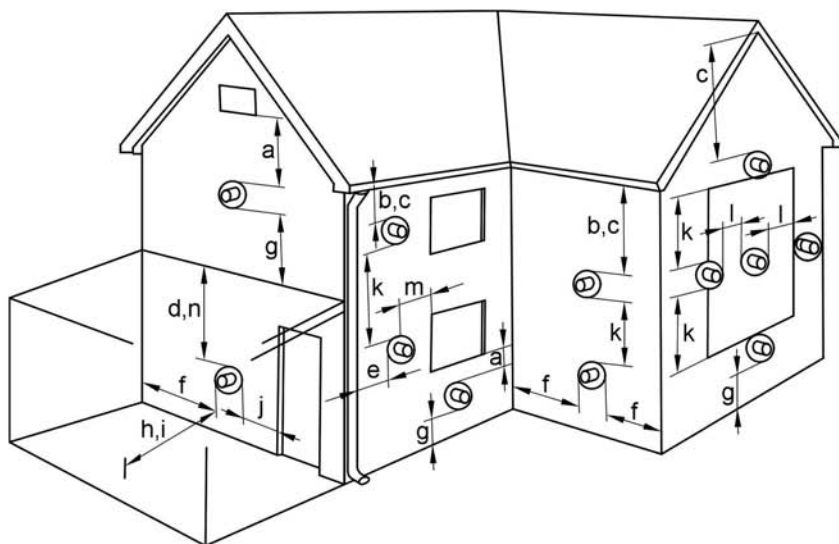
- The position must allow for a suitable flue system and terminal position. The boiler must be installed on a flat vertical wall capable of supporting the weight of the appliance and any ancillary equipment when full.
- Due consideration should be given to the routing of the condensate drain from the chosen position.
- If the boiler is to be fitted in a timber framed building it should be fitted in accordance with IGE/UP/7. If in doubt advice must be sought from the Institute of Gas Engineers.

Preparing for installation (cont.)

- Due consideration should be given to the routing of the condensate drain from the chosen position.
- If the boiler is to be fitted in a timber framed building it should be fitted in accordance with the British Gas publication 'Guide for Gas Installations In Timber Frame Housing', reference DM2. If in doubt, advice must be sought from British Gas.
- If the appliance is to be installed in a room containing a bath or shower, any electrical switch or control utilising mains electricity, it must be so situated, that it cannot be touched by a person using the bath or shower. Attention is drawn to the requirements of BS 7671 (the current I.E.E Wiring Regulations) and in Scotland the electrical provisions of the Building Regulations applicable in Scotland.
- A compartment used to enclose the appliance must be designed and constructed specifically for this purpose. An existing cupboard or compartment may be used provided it is modified accordingly. BS 5376:2 gives details of the essential features of cupboard / compartment design, including airing cupboards
- Where installation will be in an unusual location, special procedures may be necessary. BS 6798 gives detailed guidance on this aspect.

Preparing for installation (cont.)

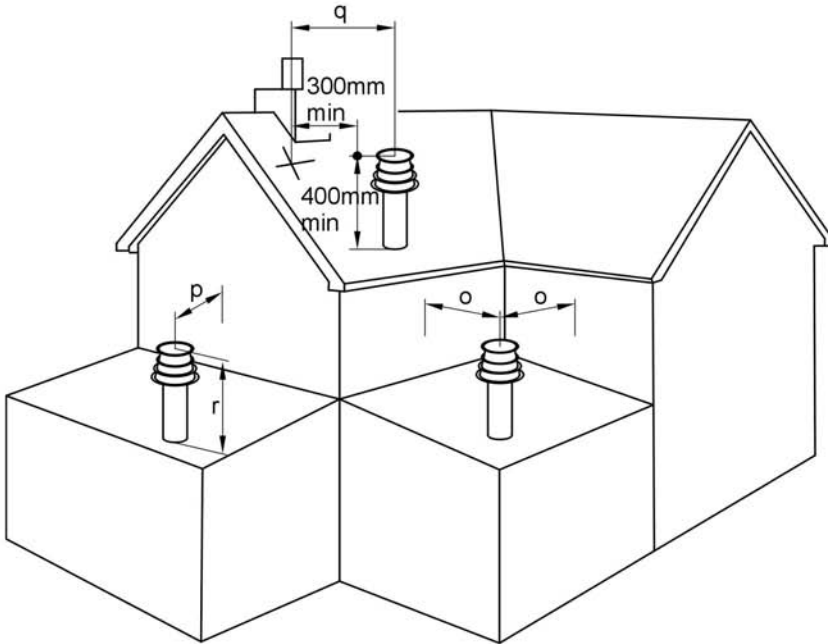
Flue terminal position Horizontal flue system



Position		Minimum spacing mm
a	Directly below a window that can be opened, air vent or any other ventilation opening	300
b	Below gutter drain or soil pipe	75
c	Below eaves	200
d	Below a balcony	200
e	From vertical drain or soil pipes	150
f	From internal and external corners	300
g	Above adjacent ground or balcony level/roof	300
h	From a surface facing the terminal	600
i	Facing terminals	1200
j	From opening door/window in carport into dwelling	1200
k	Vertically from a terminal on same wall	1500
l	Horizontally from a terminal on same wall	300
m	Adjacent to opening	300
n	Below carport/roof	200

Preparing for installation (cont.)

Vertical flue systems



Position		Minimum spacing mm
o	From adjacent wall	300
p	From adjacent opening window	1000
q	From another terminal	600
r	Minimum height	300

Flue Terminal Location

Detailed recommendations for flue installation are given in BS 5440:1. The following notes are for general guidance.

- The boiler must be installed so that the terminal is exposed to external air.
- It is important that the position of the terminal allows free passage of air across it at all times.

Preparing for installation (cont.)

- It is essential to ensure that products of combustion discharging from the terminal cannot re-enter the building or any other adjacent building, through ventilators, windows, doors, other sources of natural air infiltration or forced ventilation / air conditioning.
- The minimum acceptable dimensions from the terminal to obstructions and ventilation openings are specified in BS 5440 Part 1 .
- If the terminal discharges into a pathway or passageway check that combustion products will not cause nuisance and that the terminal will not obstruct the passageway.
- Where the lowest part of the terminal is fitted less than 2 m above ground, above a balcony or above a flat roof to which people have access, the terminal must be protected by a purpose designed guard. (Available as an optional extra).
- Where the terminal is fitted within 850 mm of a plastic or painted gutter, or 450 mm of painted eaves, an aluminium shield, at least 750 mm long, must be fitted to the underside of the painted surface.
- The air inlet / flue outlet duct must not be closer than 25 mm to combustible material.
- Due to the high efficiency of the boiler the terminal may emit a plume of vapour. This is normal but positions where this would cause a nuisance should be avoided.

Ventilation Requirements

Detailed recommendations for air supply are given in BS 5440:2. The following notes are for general guidance.

- It is not necessary to have a purpose provided air vent in the room or internal space in which the appliance is installed.
- If the boiler is to be installed in a cupboard or compartment, no permanent air vents are required for cooling purposes in the cupboard or compartment, however, it is essential to ensure that the minimum clearances stated in page 9 are maintained.

Preparing for installation (cont.)

Central Heating System (typical system designs)

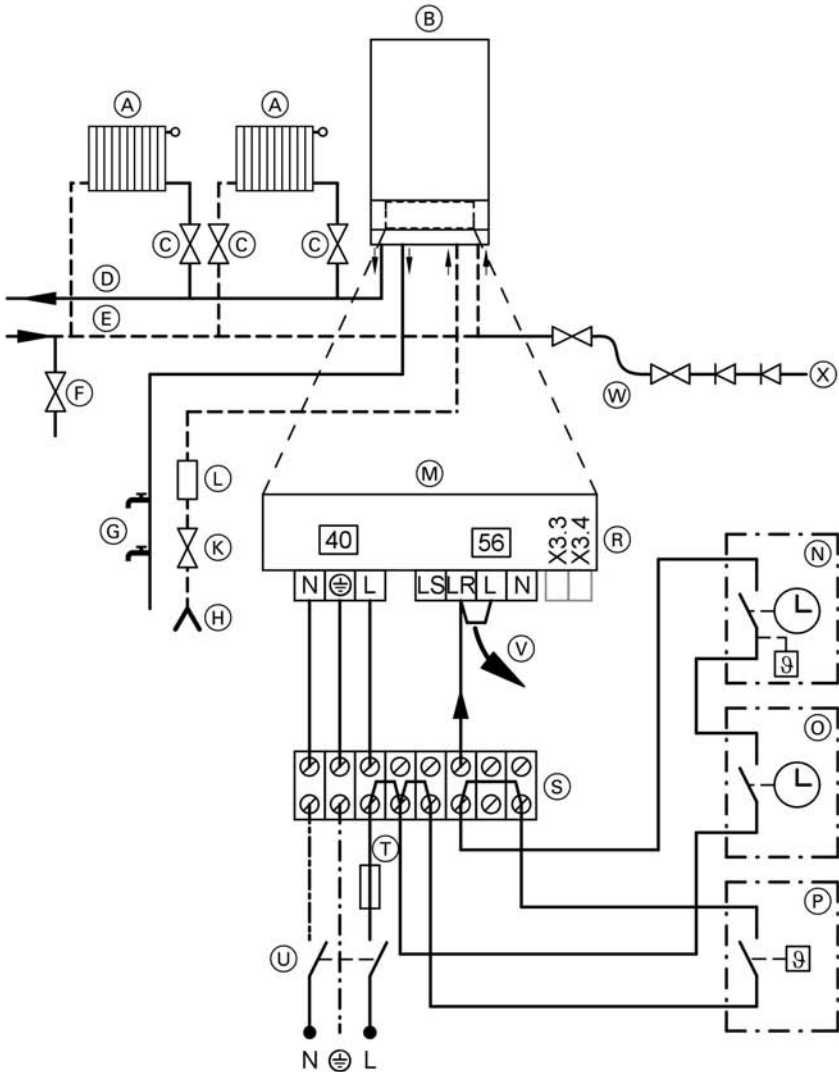
- The Vitodens 100-W is designed for connection to sealed central heating water systems.
- A sealed system must only be filled by a competent person.
Filling the heating system see page 57.

Combination boiler

Note

The boiler incorporates an internal bypass to ensure adequate water flow. Certain thermostatic radiator valve manufacturers may require that a bypass valve is fitted in addition to the integral by pass. Specifications as to the individual requirements should be sought prior to installation.

Preparing for installation (cont.)



- | | |
|----------------------|--|
| (A) Radiators | (F) Drain cock at lowest point in the system |
| (B) Boiler | (G) Hot water taps |
| (C) Lockshield valve | (H) Water main |
| (D) CH flow | (K) BS stop valve |
| (E) CH return | |

Preparing for installation (cont.)

- Ⓛ Pressure reducing valve (if necessary)
- Ⓜ Control unit
- Ⓝ Room temperature control (on site)
Connection of Viessmann Vitotrol 100 see page 52
- Ⓞ Time switch
- Ⓟ Frost stat
- Ⓠ Connection box (not supplied)
- Ⓣ Fuse 3 A
- Ⓤ Mains ON/OFF switch
- Ⓥ When connecting, remove jumper
- Ⓦ Temporary filling loop
- Ⓧ Water mains
- 40 Power supply
- 56 Mains connection accessories/
room temperature control/DHW
cylinder control
- LR Connection of room temperature
control
- LS Connection of DHW cylinder control

- The following Viessmann control configurations are available:
Constant temperature
Timer with constant temperature
Vitotrol 100 UTD
- The boiler requires a permanent live feed via plug 40.

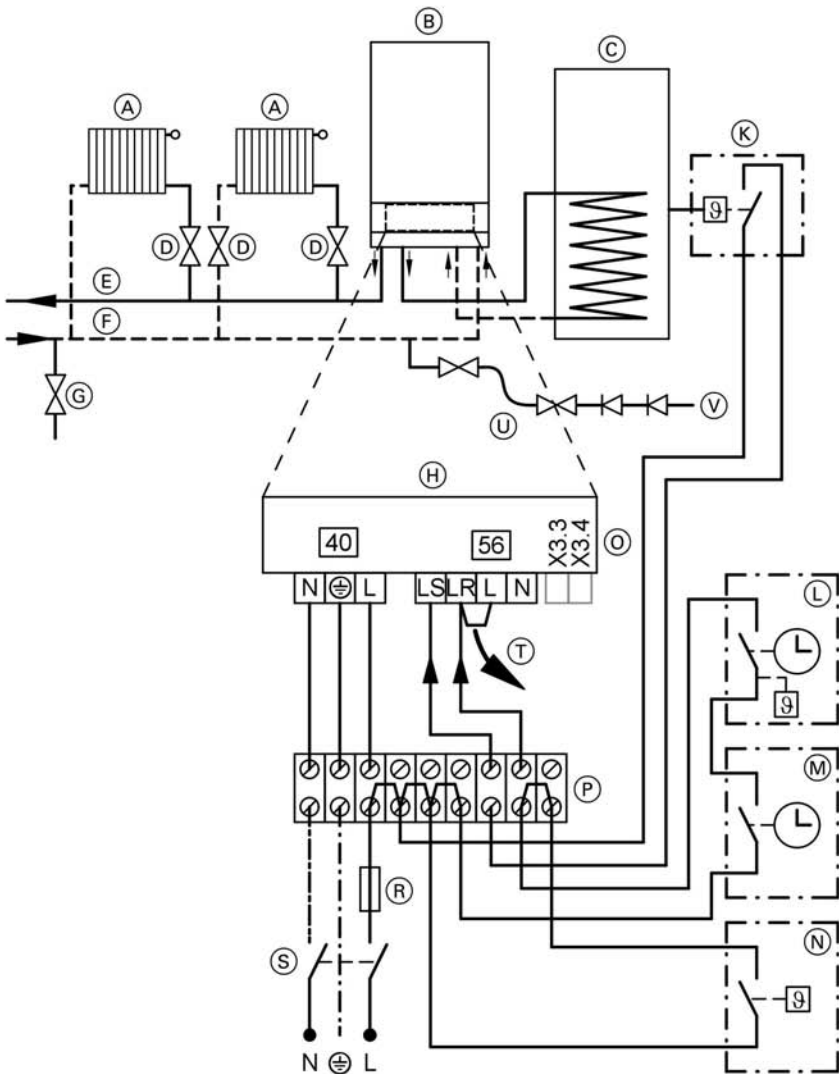
System boiler

Cylinder connected directly to boiler.

Note

The boiler incorporates an internal bypass to ensure adequate water flow, however one radiator should be permanently open (fitted with two lockshield valves) to dissipate any excess heat.

Preparing for installation (cont.)



- | | |
|----------------------|--|
| (A) Radiators | (F) CH return |
| (B) Boiler | (G) Drain cock at lowest point in the system |
| (C) DHW-Cylinder | (H) Control unit |
| (D) Lockshield valve | (K) Cylinder thermostat |
| (E) CH flow | |

Preparing for installation (cont.)

- Ⓛ Room temperature control (on site)
Connection of Viessmann Vitotrol 100 see page 52
- Ⓜ Time switch
- Ⓝ Frost stat
- Ⓞ Open therm-connection(alternative)
Connection see page 52
- Ⓟ Connection box (not supplied)
- Ⓡ Fuse 3 A
- Ⓢ Mains ON/OFF switch
- Ⓣ When connecting, remove jumper
- Ⓤ Temporary filling loop
- Ⓥ Water mains
- 40 Power supply
- 56 Mains connection accessories/
room temperature control/DHW
cylinder control
- LR Connection of room temperature control
- LS Connection of DHW cylinder control
- The following Viessmann control configurations are available:
Constant temperature
Timer with constant temperature
Vitotrol 100 UTD
- The boiler requires a permanent live feed via plug 40.
- The DHW cylinder must have an integrated temperature control connected to the Vitodens
- The DHW will always take priority over the central heating when timed demand is selected.

Hydraulic components in the boiler

Pump

The available head shown in following figure is that in excess of the appliance hydraulic resistance, i.e that available for the system.

System boiler only

Y-plan and S-plan system

Notes

The hot water connections must be capped off.

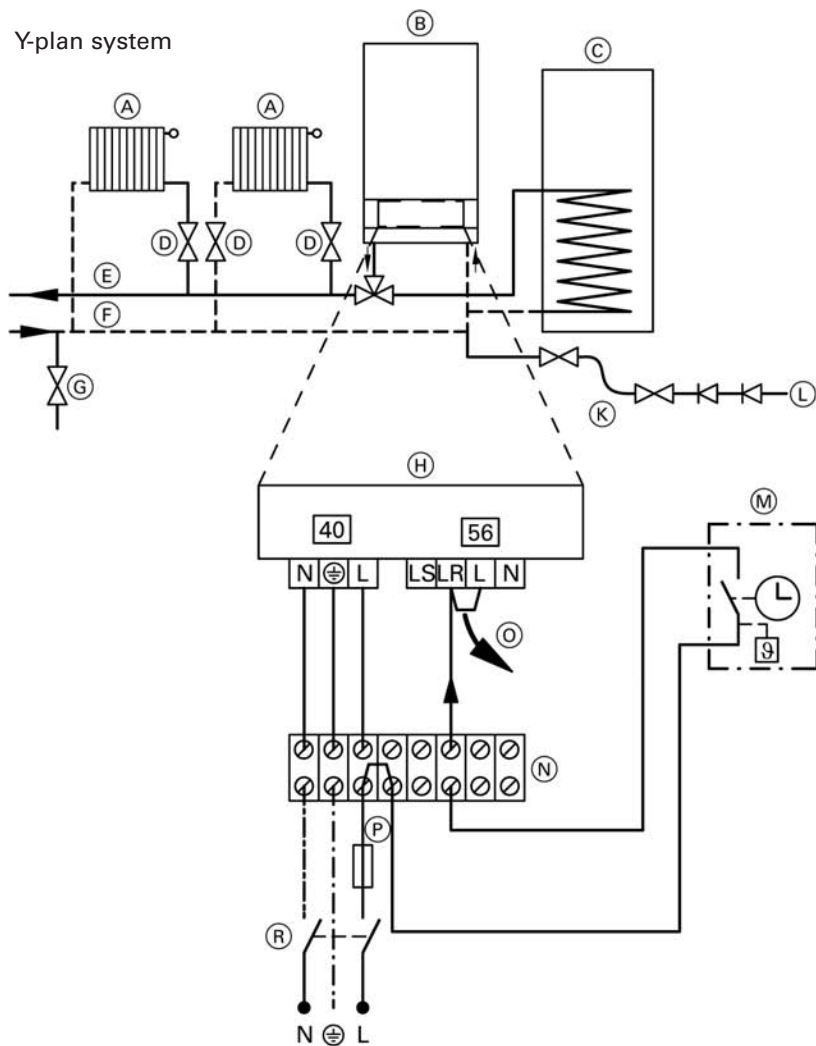
An external pump is only required on larger systems where additional pump duty is required. Integral pump, see diagram below.

The integral three-way valve becomes redundant in this application.

Where Y-plan and S-plan systems connected to traditional unvented hot water systems are used, a remote timer, cylinder thermostat and room thermostat are generally required.

System boiler only

Y-plan system



- (A) Radiators
- (B) Boiler
- (C) DHW cylinder
- (D) Lockshield valve
- (E) CH flow
- (F) CH return

- (G) Drain cock at lowest point in the system
- (H) Control unit
- (K) Temporary filling loop
- (L) Water mains

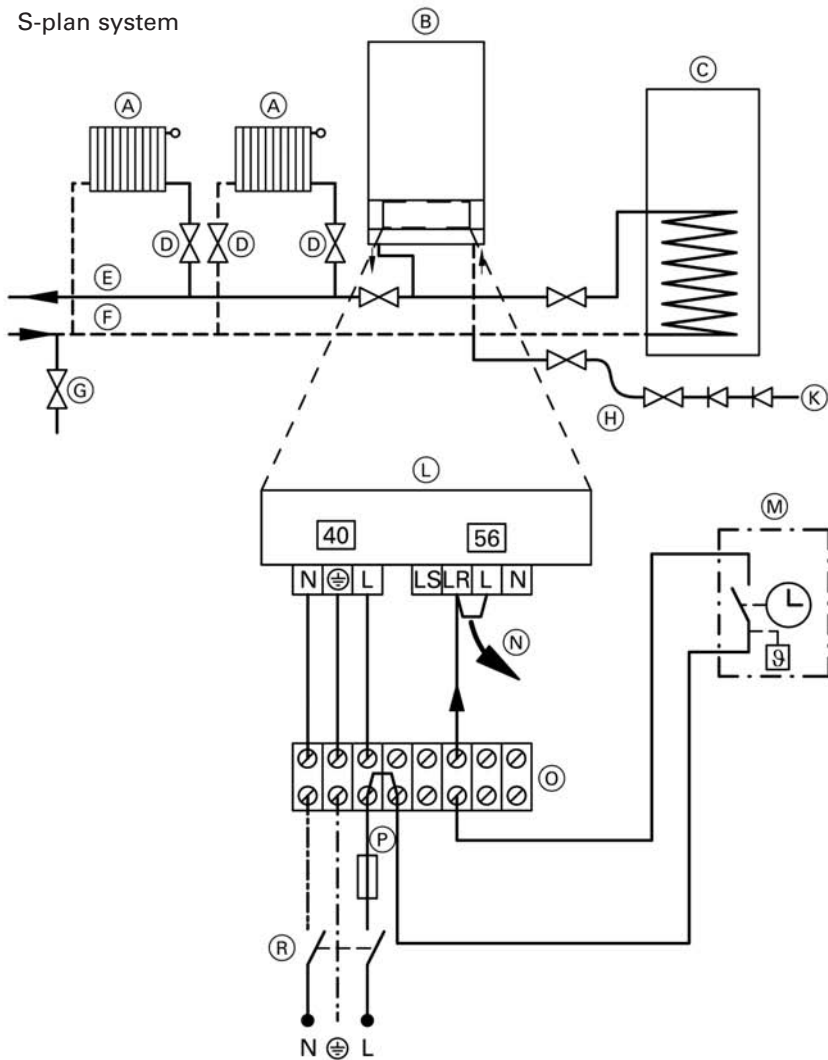
System boiler only

Y-plan system (cont.)

- Ⓝ Room temperature controller (on site)
- Ⓝ Installation box (on site)
- Ⓞ Remove jumper when connecting a room thermostat
- Ⓟ Fuse 3 A (on site)
- Ⓡ Mains isolator (on site)
- 40 Mains power connection
- 56 Mains power connection, accessories/room temperature control/DHW cylinder control
- LR Room temperature control connection
- LS DHW cylinder control connection

System boiler only

S-plan system



- (A) Radiators
- (B) Boiler
- (C) DHW cylinder
- (D) Lockshield valve
- (E) CH flow

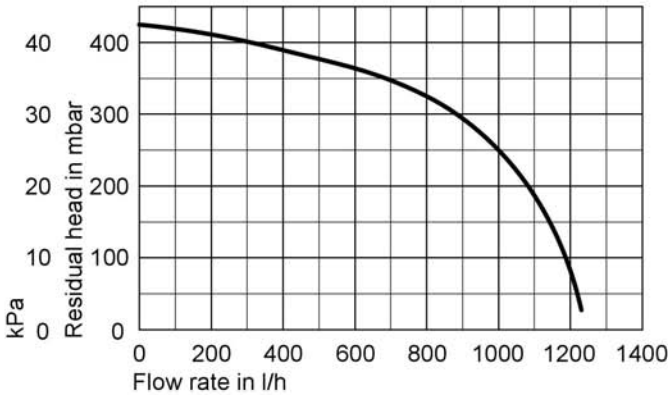
- (F) CH return
- (G) Drain cock at lowest point in the system
- (H) Temporary filling loop

System boiler only

S-plan system (cont.)

- Ⓚ Water mains
- Ⓛ Control unit
- Ⓝ Room temperature controller (on site)
- Ⓝ Remove jumper when connecting a room thermostat
- Ⓞ Installation box (on site)
- Ⓟ Fuse 3 A (on site)
- Ⓡ Mains isolator (on site)
- 40 Mains power connection
- 56 Mains power connection, accessories/room temperature control/DHW cylinder control
- LR Room temperature control connection
- LS DHW cylinder control connection

Preparing for installation (cont.)



Expansion vessel

The table shows the maximum system volume that the integral expansion vessel can sustain under different charge pressure conditions. If the system volume exceeds that shown, an additional expansion vessel must be fitted and connected to the heating system primary return pipe as close as possible to the appliance. If an extra vessel is required, ensure that the total capacity of both vessels is adequate.

Further details are available in the current issues of BS 5449 and BS 6798.

If the pressure gauge rises by 1.5 bar when the appliance is at maximum temperature with all radiators in circulation an extra expansion vessel is required.

Vessel charge and initial system pressure	bar	0.5	1.0	1.5
	psi	7.3	14.5	21.5
Total water content of system using 8 litre capacity expansion vessel supplied with appliance	litres	106	75	42
	gallons	23	16.5	9
For systems having larger capacity, multiply the total system capacity in litres by the factor to obtain the total minimum expansion vessel capacity required		0.0833	0.11	0.16

Preparing for installation (cont.)

Pressure relief valve

A pressure relief valve set at 3 bar (43.5 psi) is supplied with the appliance.

Domestic Hot Water System (Combi boiler only)

- Check that the mains water pressure is sufficient to produce the required DHW flow rate of 8.9 l/min (24 kW)/ 11.2 l/min (30 kW), but does not exceed the maximum DHW pressure (10 bar).
The flow rate may vary by approx. 10%. If necessary, a pressure reading valve must be fitted to the main supply before the DHW inlet connection.
- The final 600 mm (24 in) of the mains supply pipe to the boiler must be copper.
- A regulator is fitted to control the maximum water flow rate.
- If the appliance is installed in an area where the temporary hardness of the water supply is high (over 150 ppm) the fitting of an in line scale inhibitor may be an advantage. Consult the Local Water Authority if in doubt.
- For specific information relating to fittings (e.g.. showers, washing machines etc) suitable for connection in the DHW circuit, consult the Local Water Authority. However, the following information is given for guidance.
Domestic hot/cold water supply taps and mixing taps: All equipment designed for use at mains water pressure is suitable.
Showers and bidets: Any mains pressure shower or bidet complying with the Local Water Authority regulations is suitable.

Gas Supply

- The Gas Supplier should be consulted at the installation planning stage in order to establish the availability and supply of an adequate supply of gas.
- A gas meter can only be connected by the gas supplier or by their contractor.
- An existing meter and / or pipework should be of sufficient size to carry the maximum boiler input plus the demand of any other installed appliance. (BS 6891: 1988). A minimum of 22 mm dia. pipework is required to within 1 metre of the appliance gas cock.
- The governor at the meter must give a constant outlet pressure of 21 mbar +/- 1mbar. when the appliance is running.

Preparing for installation (cont.)

- The gas supply line should be purged.
Warning: Before purging open all doors and windows, also extinguish any cigarettes, pipes and any other naked lights.
- The complete installation must be tested for gas soundness.

Electricity Supply

- Wiring external to the appliance must be in accordance with BS 7671 (the current I.E.E Wiring Regulations) for electrical installation and any local regulations which apply.
- The mains cable must be at least 0.75 mm^2 (24/0.2 mm) PVC insulated to BS 6500 table 16.
- **Warning:** This Appliance must be earthed. (Failure to provide a satisfactory earth connection would be a safety hazard and may also result in appliance malfunction).
- The method of connection to the mains supply must facilitate complete electrical isolation of the appliance. Either a 3A fused three pin plug and unswitched shuttered socket outlet, both complying with BS 1363, or a 3A fused double pole switch having a 3 mm contact separation in both poles and serving only the boiler (and its external controls) may be used.

External Controls

To ensure optimum performance, Viessmann offer a range of external controls however the appliance may be used with any certificated room thermostat or time clock room thermostat.

Preparing for installation (cont.)

Preparations for boiler installation

Unpacking the appliance

The appliance is supplied in 2 separate packages plus any optional flue packages. Check the availability and contents of each package before commencing the installation.

Boiler package

Combi boiler

- Boiler (assembled)
- 5 shut-off valves
- Wall mounting fixture
- 2 wall plugs and 2 screws
- Installation template
- Installation & user manual

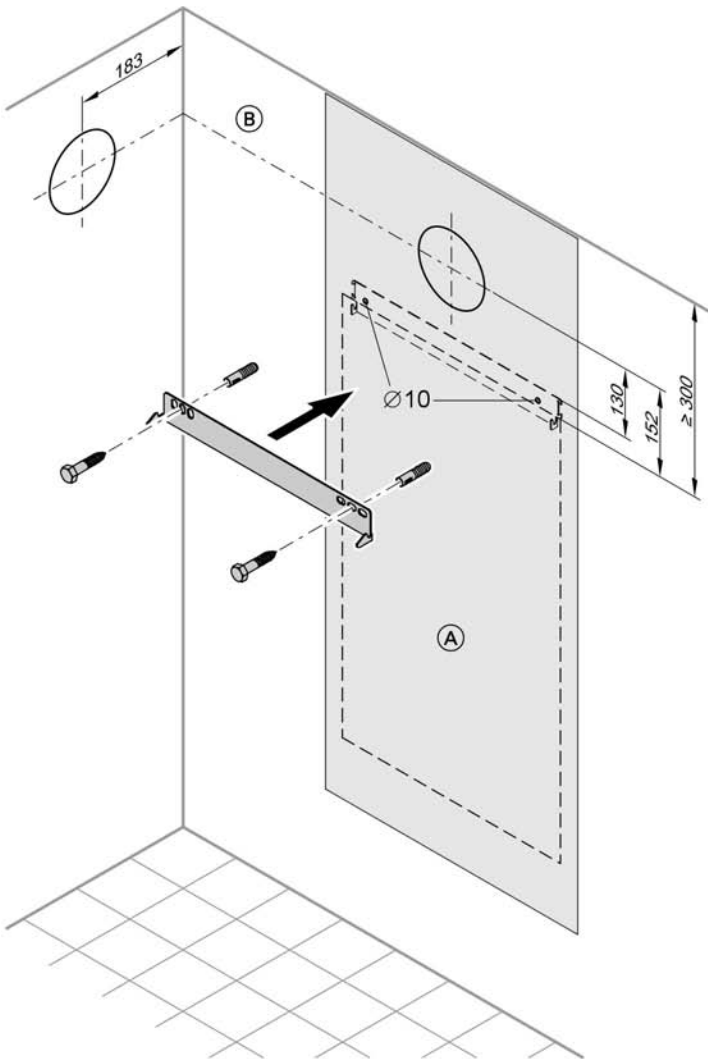
System boiler

- Boiler (assembled)
- 3 shut-off valves
- 2 connection elbows
- Wall mounting fixture
- 2 wall plugs and 2 screws
- Installation template
- Installation & user manual

Wall mounting bracket installation

Important: Before installing the appliance, check that the chosen position is suitable, adequate installation clearances are available and that the requirements for flue terminal position are satisfied.

Preparing for installation (cont.)



(A) Installation template

(B) Observe the minimum slope of 3° (5mm/m) towards the boiler

1. Position the installation template on the wall.

2. Mark wall plug holes and balanced flue pipe opening.

Preparing for installation (cont.)

3. Drill \varnothing 10 mm holes and insert the rawl plugs.
4. Cut flue pipe opening to 100 mm \varnothing .
5. Fit wall mounting frame with enclosed screws.

Preparing the connections

Note

For dimensions for on-site preparations of the gas and water side connections see "Overall Appliance Dimensions" on page 7.

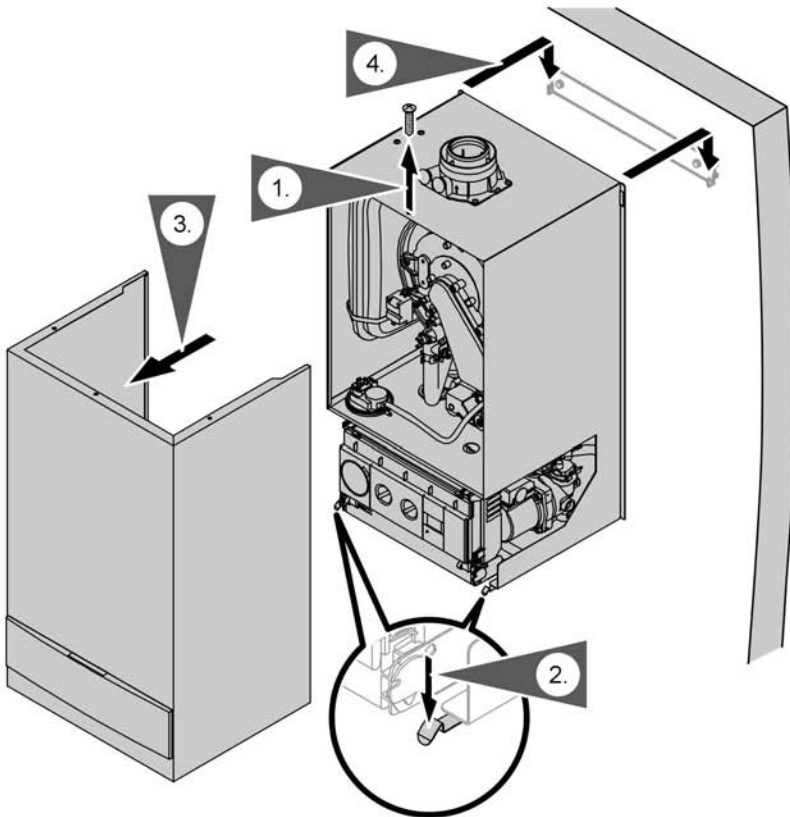
1. Prepare the water connections.
2. Clean and flush the heating system.
Use only the following additives:
 - Cleanser (Ferrox)
 - Sentinal X300...
3. Prepare gas connection to BS 6891.
4. Prepare the electrical connections.
 - Mains cable: H05V2V2-F 3 G 0.75 mm², 230 V~, 50 Hz.
A 1.5m power cable is part of the standard delivery.
 - Accessory cables: H05V2V2-F 3 G 0.75mm² for connection of room temperature control and DHW cylinder control (system boiler).

Installing the boiler and making all connections

Remove front panel and mount boiler

Note

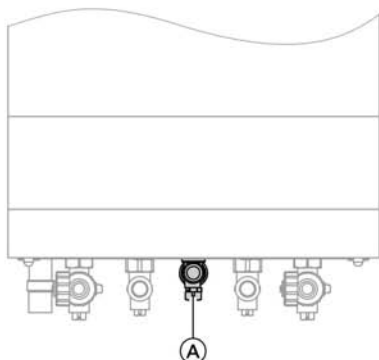
The front panel must be removed before mounting the boiler.



1. Remove the screw at the top of the boiler.
2. Press down the springs on the underside of the boiler and remove the front panel.
3. Hook the boiler on to the wall mounting frame.

Installing the boiler and making all connections (cont.)

Gas connection

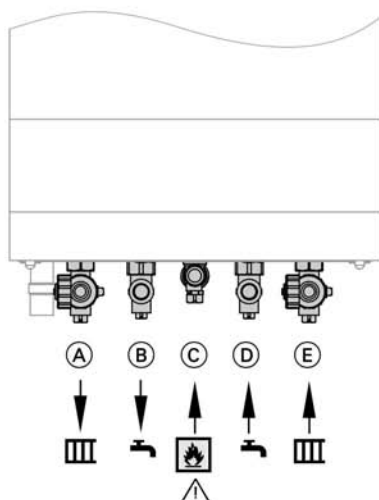


1. Connect the gas supply to the gas inlet connection on the gas cock (A). Upon completion, tighten the union connection.
2. Carry out a gas soundness test.
3. Purge the gas supply pipe.

(A) Gas connection: ½" BSP

Installing water fittings

Combi boiler



(A) Heating flow: \varnothing 22 mm

(B) DHW: \varnothing 15 mm

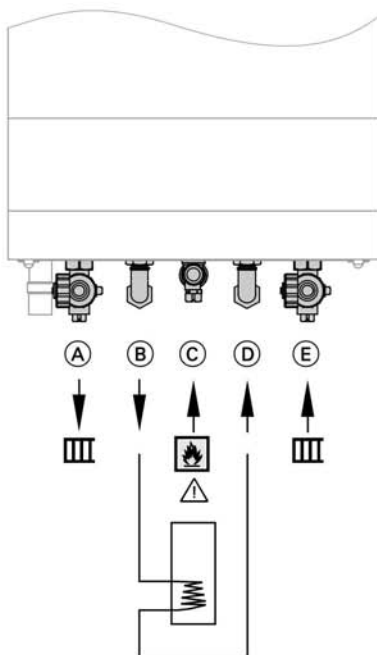
Installing the boiler and making all connections (cont.)

Ⓒ Gas connection: ½" BSP

Ⓓ Cold water: Ø15 mm

Ⓔ Heating return: Ø22 mm

System boiler



Note

For operation without a DHW cylinder, shut-off connections Ⓑ and Ⓓ.

Ⓐ Heating flow: Ø22 mm

Ⓑ DHW cylinder flow: Ø22 mm

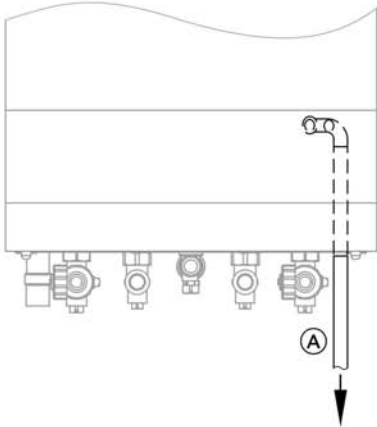
Ⓒ Gas connection: ½" BSP

Ⓓ DHW return: Ø22 mm

Ⓔ Heating return: Ø22 mm

Installing the boiler and making all connections (cont.)

Connect safety valve drain



Ⓐ Ø18/22 mm

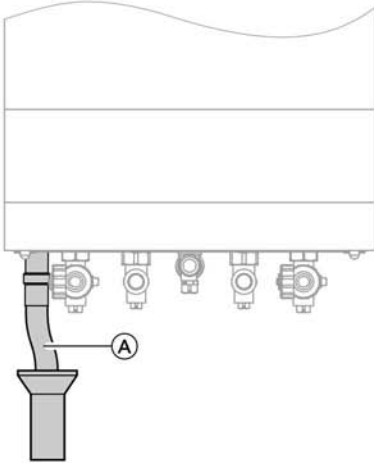
Connect a suitable discharge pipe to the pressure relief valve outlet. The pipe discharging to a safe place must be a minimum of 15 mm copper and run continually downwards. The pipe from the pressure relief valve must not discharge above an entrance, window or any type of public access area.

The pipe must be routed to a position so that any discharge of water possibly boiling, or steam, cannot create any danger to persons, damage to property or external electric components and wiring. The point of discharge must be clearly visible. To ease future servicing it is advisable to use a compression type fitting to extend the discharge pipe.

Installing the boiler and making all connections (cont.)

Condensate connection

Vitodens 100-W has within a syphonic condensate trap.



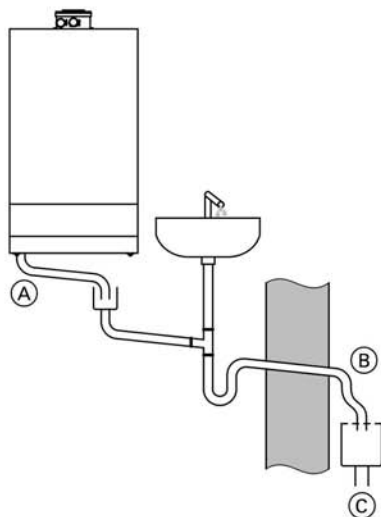
Ⓐ Ø22 mm plastic condensate pipe

Routing

The condensate pipe can terminate into any one of the following areas. It is always the best practice to terminate the condensate pipe via an internal waste system.

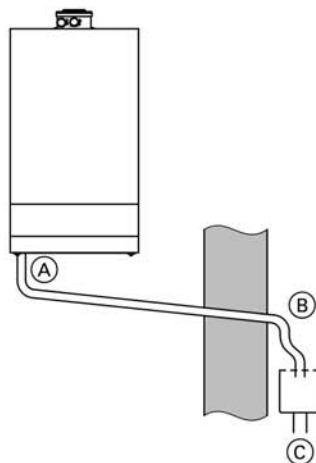
- The pipe run should take the shortest practical route with a downward slope of at least 2.5° (4.5 mm/m)
- The external pipework should be insulated to prevent freezing
- The pipework should terminate as close as possible to the ground or drain, whilst still allowing the condensate to safely disperse.
- The condensate pipe must be of non corrosive material, preferably plastic.
Note: ferrous materials or copper must not be used.

Installing the boiler and making all connections (cont.)



Terminating into an internal waste system

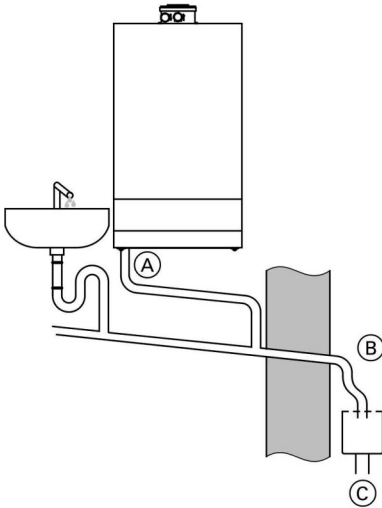
- (A) Ø22 mm plastic condensate pipe
- (B) External length of pipe 3 m max.
- (C) Open end direct into gully, below ground but above water level



Terminating into an external waste system

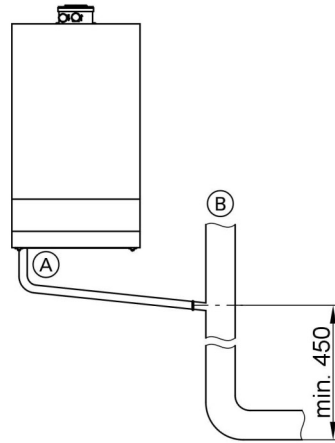
- (A) Ø22 mm plastic condensate pipe
- (B) External length of pipe 3 m max.
- (C) Open end direct into gully, below ground but above water level

Installing the boiler and making all connections (cont.)



Terminating into an external purpose made soakaway

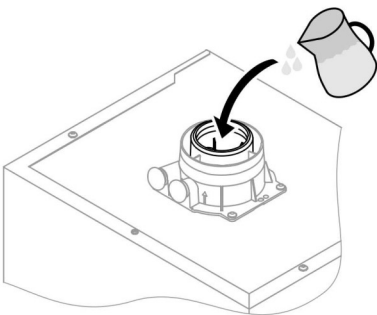
- (A) \varnothing 22 mm plastic condensate pipe
- (B) External length of pipe 3 m max.
- (C) Open end direct into gully, below ground but above water level



Terminating into the rainwater system

- (A) \varnothing 22 mm plastic condensate pipe
- (B) Internal soil and vent stack

Filling the siphon with water



Fill a minimum of 0.3 l of water into the boiler connect kit flue outlet.



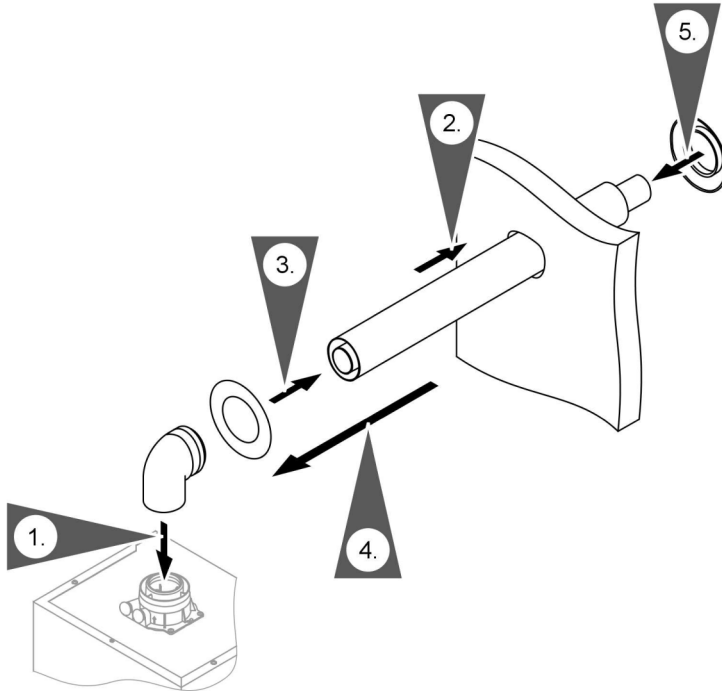
Please note

At initial start-up, flue gas may be emitted from the condensate drain.

Fill the siphon with water before start-up.

Flue outlet

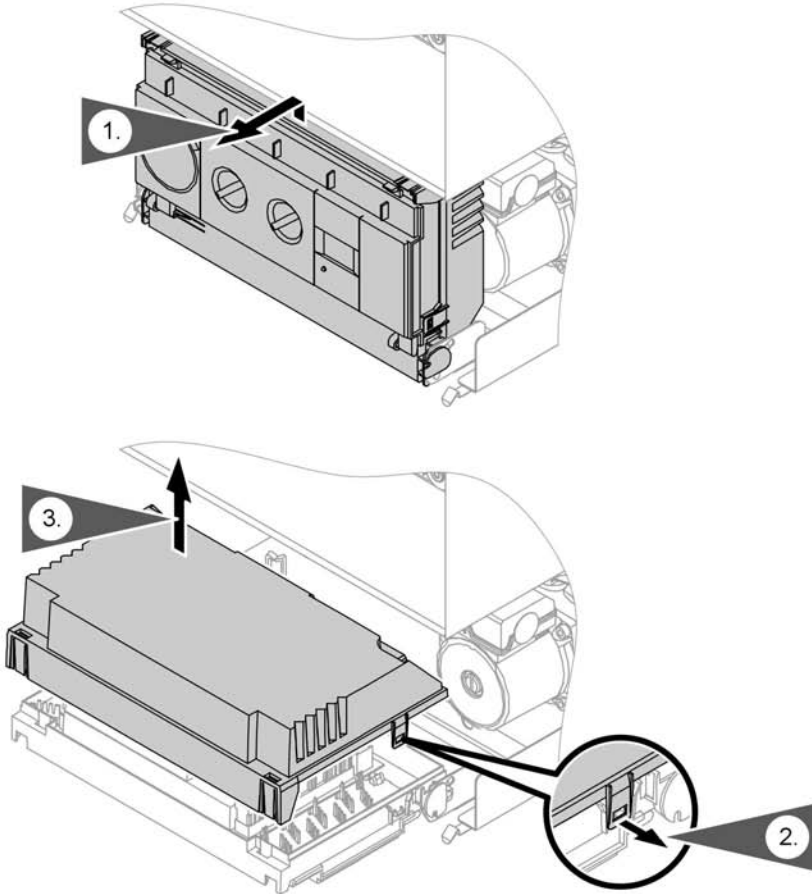
External wall terminal C13x



1. Connect flue bend elbow onto the boiler flue outlet.
2. Insert external flue terminal into the wall outlet.
3. Secure the wall bezel internally.
4. Connect external flue terminal to pipe bend.
Install flue and supply pipes accordingly, with a minimum of 3° slope (ca. 50 mm/m) towards the boiler.
5. Secure the wall bezel externally.

Electrical connections

Opening the control unit housing



Please note

Electronic modules can be damaged by electrostatic discharges.

Touch earthed objects, such as heating or water pipes, to discharge static loads.

Electrical connections (cont.)

Making connections



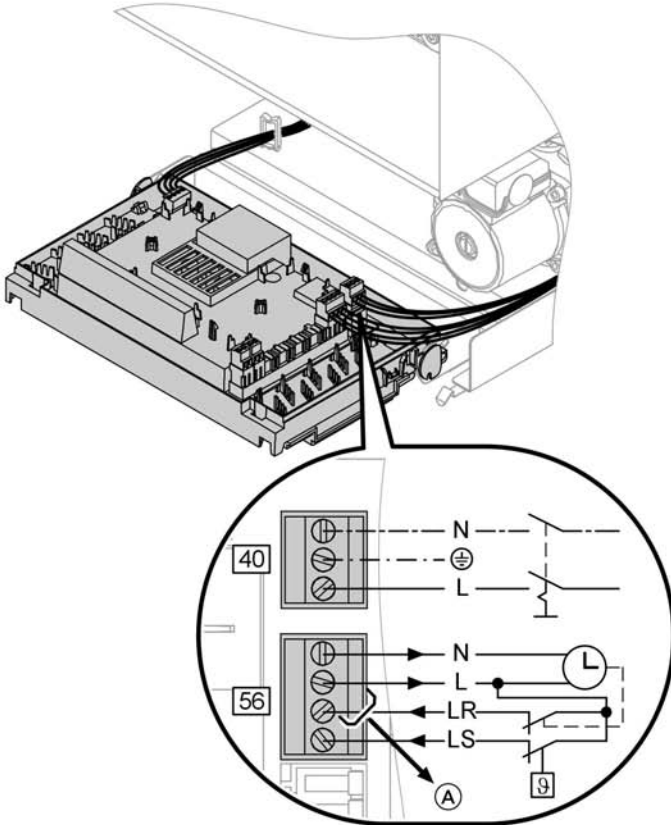
Notes regarding the connection of accessories

For details of accessories, also observe the separate installation instructions provided.

Notes regarding the connection of room temperature and DHW cylinder temperature control

For more information about the connection of on site temperature controls see page 21.

Electrical connections (cont.)

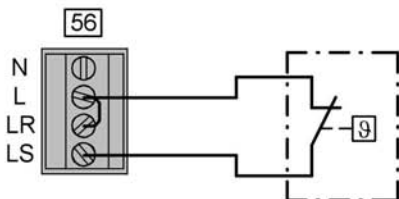


- 40** Mains power connection 230 V ~ 50 Hz (green plug)
Do not interchange the supply conductors L1 and the neutral conductor N.
A two pole shut off switch with a contact separation of at least 3 mm must be fitted in the mains supply to the boiler with a maximum fuse value of 3 A.
A 1.5m power cable is part of the standard delivery.

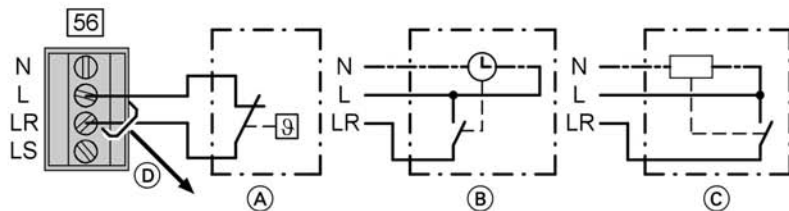
- 56** Mains connection accessories/
room temperature control/DHW
cylinder control (black plug)
- A** If making the connection between "L" and "LR" remove jumper **56**.
- LR** Connection of room temperature control
- Vitotrol 100 UTA
 - Vitotrol 100 UTD
- LS** Connection of DHW cylinder control (System boiler only)

Electrical connections (cont.)

Connect DHW cylinder temperature control



Connect Vitotrol 100



(A) Vitotrol 100 UTD

(B) Vitotrol 100 UTA

(C) Vitotrol 100 RT

(D) When connecting, remove jumper

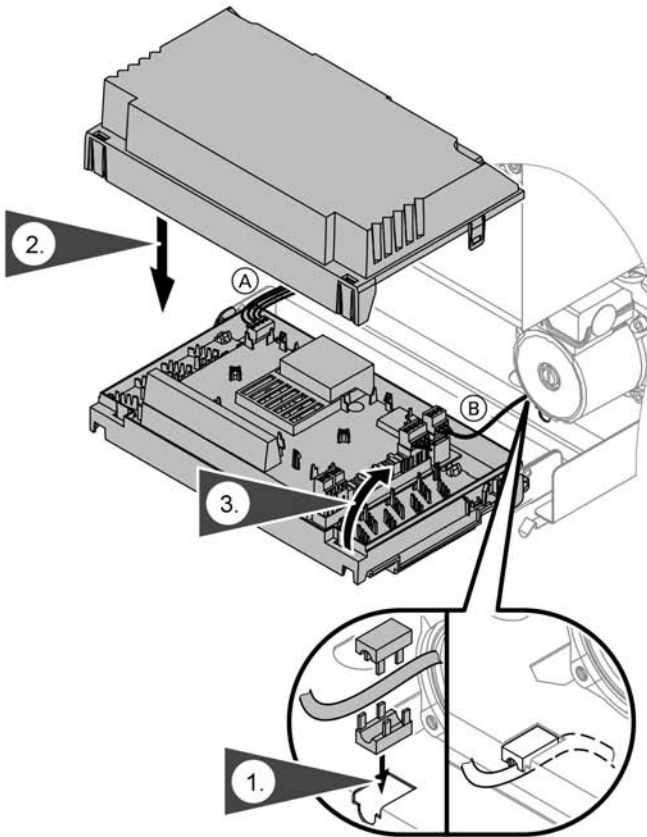
Routing connecting cables



Please note

Connecting cables can be damaged if they touch hot components. When routing and securing connecting cables on site, ensure that the maximum permissible cable temperatures are not exceeded.

Electrical connections (cont.)



Ⓐ Low voltage connections

Ⓑ 230 V connections

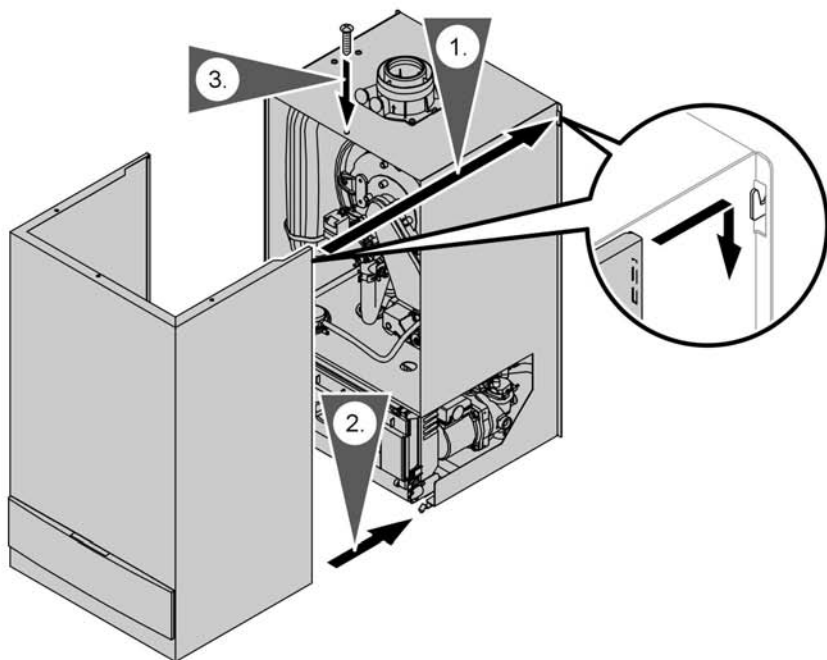
1. Connect strain relief to the external cable and clip into the mounting plate aperture.

2. Fit cover.

3. Pivot the control unit upwards.

Electrical connections (cont.)

Front panel installation



1. Hang the front panel to the wall mounting frame by the appropriate hook.
2. Press down the front panel at the bottom.

3. Insert the screw at the top of the boiler.

Note

The outer case forms a seal with the combustion box. It must therefore be securely fitted with the screw provided.

Commissioning and testing

Before commissioning the appliance, the whole gas installation including the meter must be purged and tested for gas soundness in accordance with BS 6891: 1988.

Commissioning and testing



Danger

Open all doors and windows; extinguish naked lights and **do not smoke** whilst purging the gas line.

Before commencing the commissioning procedure, ensure that the gas service cock is turned on, the electricity supply is isolated and that the DHW and CH pipework is complete.

Fill the system with cold water. It may be convenient to carry out this procedure before fitting the boiler to the piping frame. Vent the system via the radiator valves and system air vents in accordance with normal practice, close all air vents and check for system soundness. Drain the entire system to flush out any debris.

Additives from the approved list below may be used. The use of non approved additives will invalidate the warranty on this product.

- Anti-scaling: Sentinel X200
- Anti-bacterial:
 - System Cleaner (Fernox)
 - Sentinel X300...
- Antifreeze:
 - Glycol (30% max.)
 - Antifreeze (Fernox)
 - Sentinel X500...
- Anti-corrosion:
 - Inhibitor (Fernox)
 - Sentinel X100...
- Cleaner:
 - Cleanser (Fernox)
 - Sentinel X300...

Do not use non approved additives or any chemicals from the following list

- Boiler noise silencer
- Leak sealer
- Fuel, Oil, Grease, Washing powder/liquid
- pipe jointing compound (like boss white and boss green, Sentinel)
- Anti-blockage

Commissioning and testing (cont.)

Note

Additive combinations are permitted only if approved additive suppliers recommend it and always according to supplier's dosage recommendation. It is essential that the procedure below is followed to ensure that all the air in the boiler heat exchanger and the system is completely vented prior to firing the appliance.

Filling the heating system

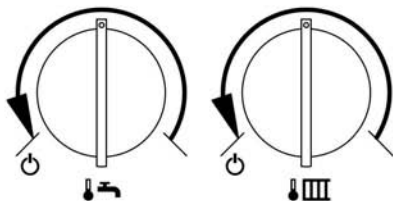


Please note

Unsuitable fill water increases the level of deposits and corrosion and may lead to boiler damage.

- Thoroughly flush the entire heating system prior to filling with water.
- Only use fill water of potable quality.
- Soften fill water harder than 150 ppm temporary hardness.
- Inhibitors or antifreeze additives suitable for heating systems should be injected or added manually.

1. Close the gas shut-off valve.
2. Only when operating with DHW cylinder: Prevent heat demand from the DHW cylinder.
3. Switch on mains supply and turn rotary selectors "🔥🔌" and "🔥🔌" counterclockwise to the end stop (turn selector "🔥🔌" only for system boiler).

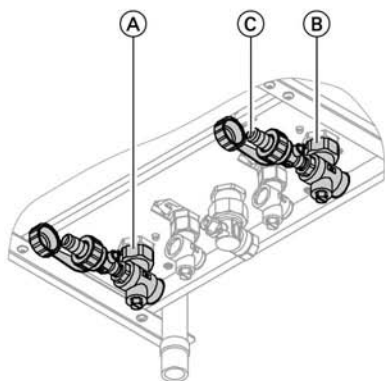


Note

The display will show the actual operating pressure and the circulation pump is switched on.

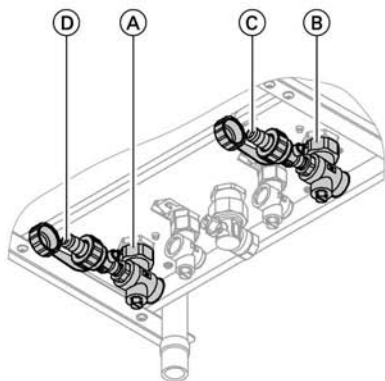


Commissioning and testing (cont.)



4. Open shut-off valves (A) and (B).
5. Connect filling hose to valve (C) and open valve (C).
6. Fill heating system. (minimum system pressure > 1.0 bar).
The actual system pressure is displayed electronically on the boiler display.
7. Close valve (C).

Venting the boiler by flushing out (after venting system)



1. Connect the drain hose to shut-off valve (D) and connect with a drain outlet.
2. Close shut-off valves (A) and (B).
3. Open valves (C) and (D) and flush at mains pressure, until no sound of escaping air can be heard.
4. First shut off valve (C) and then valve (D).
5. Operating pressure ≥ 1.0 bar; adjust with valves (C) and (D).
6. Disconnect hoses.
7. Open shut-off valves (A) and (B).
8. Seal shut-off valves (C) and (D) with the caps.

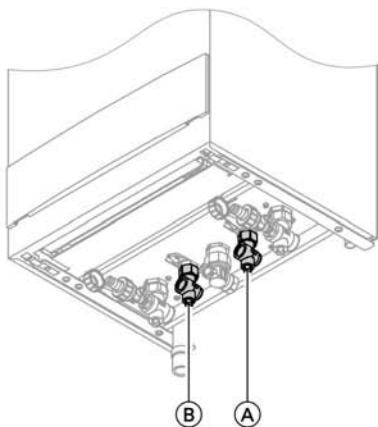
Commissioning and testing (cont.)

9. Turn rotary selectors "⚠️" and "⚠️" into control range again (turn selector "⚠️" only for system boiler).

Note

Be aware that the boiler may still need to be vented as air pockets are drawn into the heat exchanger.

Filling the Domestic Hot Water Circuit (Combi boiler only)



1. Open the DHW inlet valve (A) and outlet valve (B).
2. Open all DHW taps in turn to vent any air from the DHW pipework.

Checking static and supply pressure

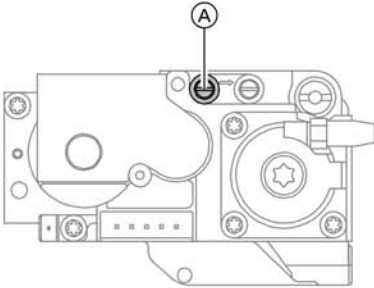


Danger

CO formation, as a result of incorrect burner adjustment, can lead to severe health problems.

Carry out a CO test prior to, and after, work on gas equipment.

Commissioning and testing (cont.)



1. Close the gas shut-off valve.
2. Release the screw inside test nipple "IN" (A) on the gas combination valve, but do not remove, and connect the pressure gauge.
3. Open the gas shut-off valve.
4. Check the static pressure; it should be 20 mbar +/- 1mbar.
5. Switch on mains voltage and start up the boiler.

Note

*During commissioning, the boiler can enter a fault state because of airlocks in the gas pipe.
To reset press "I" key. The ignition procedure will then be repeated.*

6. Check the inlet working pressure = 20 mbar.
 - Minimum working pressure = 12 mbar
 - Maximum working pressure = 20 mbar

Note

Use suitable test equipment, with a resolution of at least 0.5 mbar, to measure the supply pressure.

7. Shut down the boiler, close the gas shut-off valve, remove the pressure gauge, and close test nipple (A) with the screw.

Commissioning and testing (cont.)

- Open the gas shut-off valve and start the boiler.



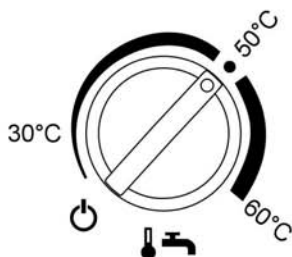
Danger


Gas escaping from the test nipple leads to a risk of explosion.

Check test nipple (A) for soundness.

Domestic hot water flow rate and temperature (Combi boiler only)

A flow regulator is fitted to ensure that no adjustment of maximum flow is necessary.




Setting DHW temperature:
Set rotary selector  to the desired DHW temperature.

Comfort function (Combi boiler only)

When the comfort function is selected, the instantaneous water heater will be held at temperature (standby). This makes DHW available quickly.

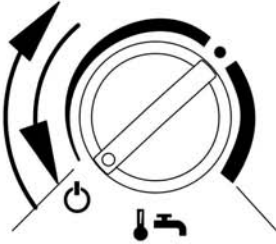
Enabling the comfort function




Turn the rotary selector  briefly and fully clockwise (shorter than 3 s), and then turn it anti-clockwise. The display will then show "COMFORT".

Commissioning and testing (cont.)

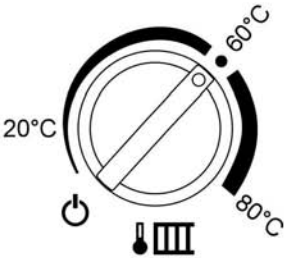
Disabling the comfort function




Turn the rotary selector  briefly and fully anti-clockwise (shorter than 3 s), and then turn it clockwise. The display will then show "ECO".

Adjusting the boiler water temperature

The boiler water temperature must be set at an adequate level to satisfy the requirements of the heating system.



Selecting the boiler water temperature:
Set rotary selector  to the desired DHW temperature.

Final checks

1. If a time switch has been built into the control unit:
Set required activation periods as per the time switch operating instructions.
2. Fill in the relevant details for the installation in the benchmark logbook supplied in the instructions pack and affix the self adhesive bar code strip from the outside of the boiler packaging to this logbook.



Time switch operating instructions

Commissioning and testing (cont.)

User's instructions

Upon completion of commissioning and testing, hand the appliance over to the user, with reference to the following.

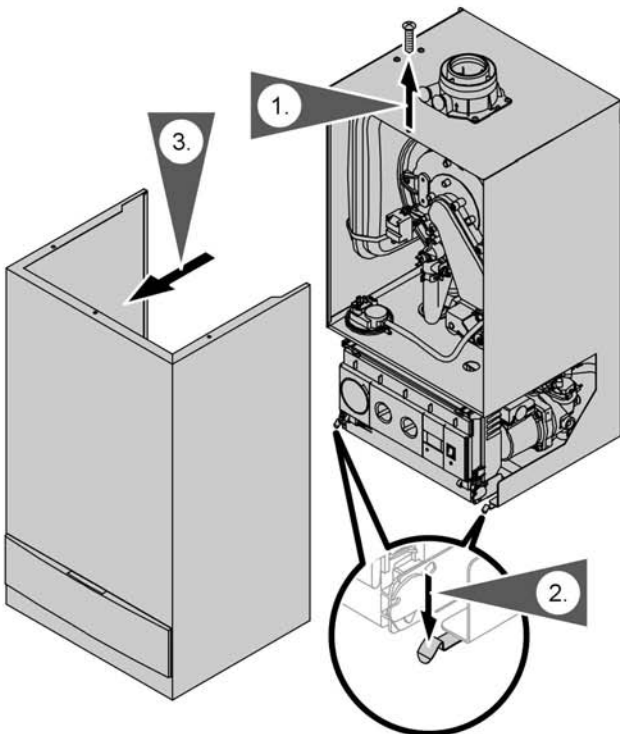
- Give the users instructions to the responsible person for the property and emphasise their responsibilities under the current edition of the Gas Safety (Installation and Use) Regulations.
- Explain and demonstrate the lighting and shutdown procedures.
- Advise the householder on the efficient use of the system, including the use and adjustment of all system controls for both DHW and CH.
- Advise the user of the precautions necessary to prevent damage to the system and to the building in the event of the system remaining inoperative during frost conditions.
- Explain the function of the boiler safety controls and how to reset them. Emphasise that if cut-out persists, the boiler should be turned off and the installer or service engineer consulted.
- Stress the importance of an annual service by a registered heating engineer.

Routine Servicing Instructions

To ensure continued efficient operation of the appliance, it is recommended that it is checked and serviced as necessary at regular intervals. The frequency of servicing will depend upon the particular installation conditions and usage but in general once a year should be adequate. It is the law that any service work must be carried out by a competent CORGI registered person.

The boiler incorporates a flue sampling point in front of the flue outlet. The flue gases can be analysed if required. The push fit cap may be removed and a sample tube fitted. The push fit cap must be replaced after use. The flue gas sample will enable the service engineer to judge whether any major action is required. Before commencing any service operation, isolate the mains electrical supply and turn off the gas supply at the main service cock.

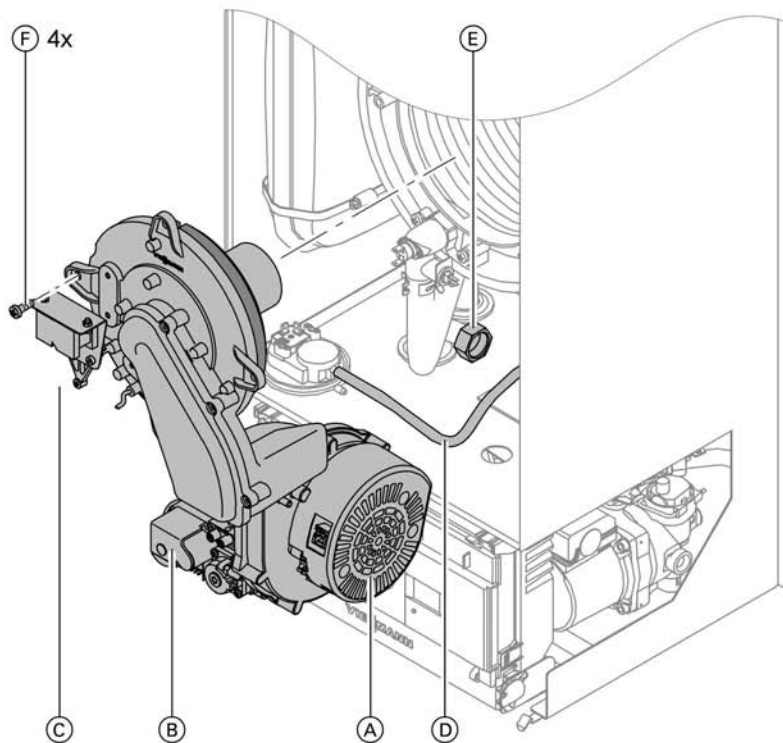
Removing front panel



Routine Servicing Instructions (cont.)

1. Remove the screw at the top of the boiler.
2. Press down the springs on the underside of the boiler and remove the front panel.
3. Lift the front panel from the wall mounting frame.

Burner removal



1. Switch OFF the mains power.
2. Close the gas shut-off valve and safeguard against reopening.
3. Pull electrical cables from fan motor (A), gas train (B), and ignition unit (C).
4. Remove connection hose from air pressure switch (D).

Routine Servicing Instructions (cont.)

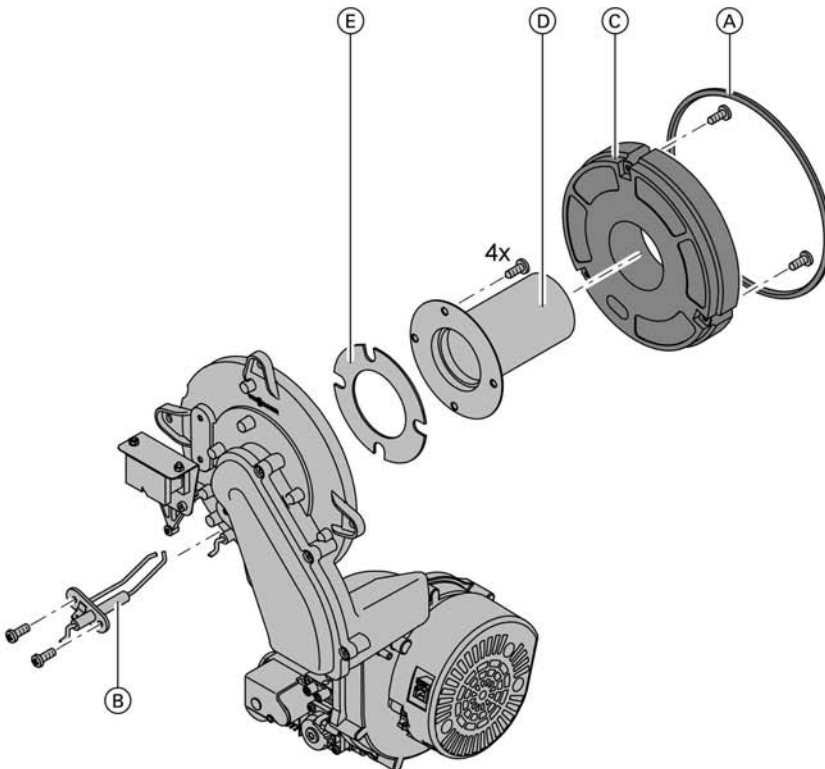
5. Release gas connection pipe (E).
6. Release four screws (F) and remove the burner.

! **Please note**
To prevent damage,
never rest the burner on the
gauze assembly.

Check the burner gasket and burner gauze assembly for damage.

Check the burner gasket (A) for damage and replace if necessary.

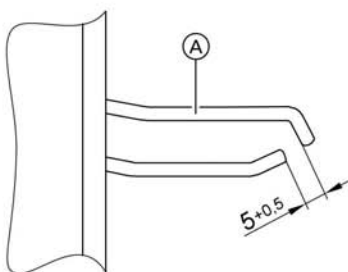
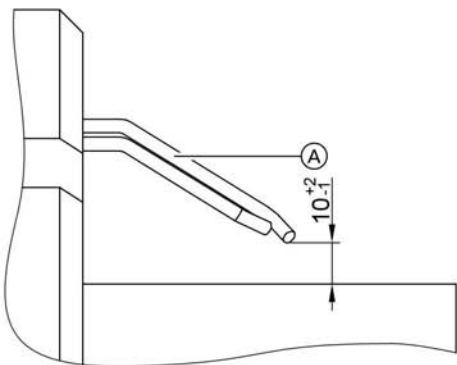
Replace the burner gauze assembly if it is damaged.



Routine Servicing Instructions (cont.)

1. Remove electrode (B).
2. Release the three Torx screws, and remove thermal insulating ring (C).
3. Release the four Torx screws, and remove burner gauze assembly (D) with its gasket (E).
4. Insert and secure a new burner gauze assembly (D) with a new gasket (E).
Torque: 3.5 Nm.approx.
5. Refit the thermal insulation ring (C).
6. Refit the electrode (B).
Torque: 2.5 Nm.approx.

Checking and adjusting the ignition and ionisation electrodes

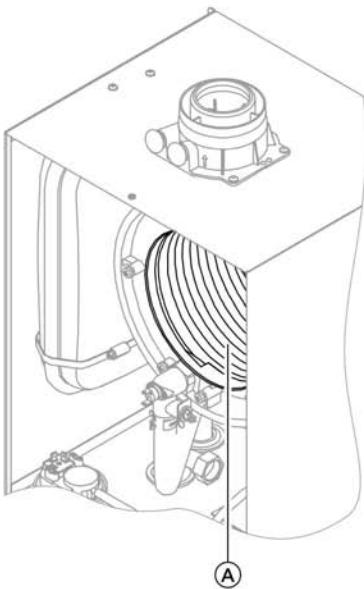


(A) Ignition and ionisation electrode

1. Check the electrode for wear and contamination.
2. Clean the electrode with a small brush (not with a wire brush) or emery paper.

Routine Servicing Instructions (cont.)

3. Check all clearances. If the gaps are not as specified or the electrode is damaged, replace and align the electrode together with new gaskets. Tighten the electrode fixing screws. (2.5 Nm approx.).

Cleaning the heating surfaces

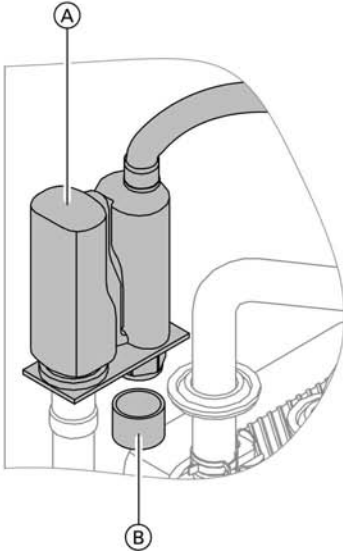
If required, clean heating surfaces (A) with a brush or flush with water.

**Please note**

Scratches on parts which are in contact with flue gases can lead to corrosion. Only use plastic brushes and NOT wire brushes.

Routine Servicing Instructions (cont.)

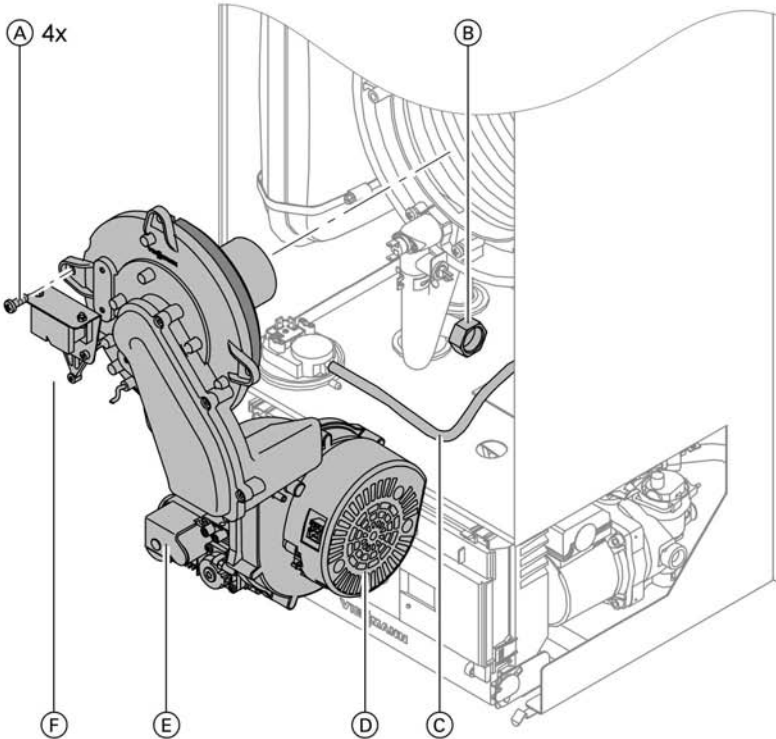
Checking the condensate drain and cleaning the siphon



1. Check at the siphon, that the condensate can freely drain.
2. Place an appropriate container under the siphon (A).
3. Remove the locking cap (B) and drain the siphon content.
4. Replace the locking cap (B).
5. Fill the siphon (A) with water by pouring about 0.3l of water into the combustion chamber.

Routine Servicing Instructions (cont.)

Burner installation



1. Install the burner and torque screws (A) diagonally. (4 Nm. approx.)
2. Insert new gasket and tighten the fittings on the gas connection pipe (B)
3. Insert air pressure switch connection pipe (C) onto the gas valve "OUT" connector.
4. Replace electrical cables from fan motor (D), gas valve (E), and ignition unit (F).
5. Open gas shut-off valve and switch on the mains.

Routine Servicing Instructions (cont.)

6. Check the gas connections for soundness.



Danger

Escaping gas leads to a risk of explosion.
Check all fittings for soundness.

Check primary and secondary connections for leaks

Checking diaphragm expansion vessel and system pressure

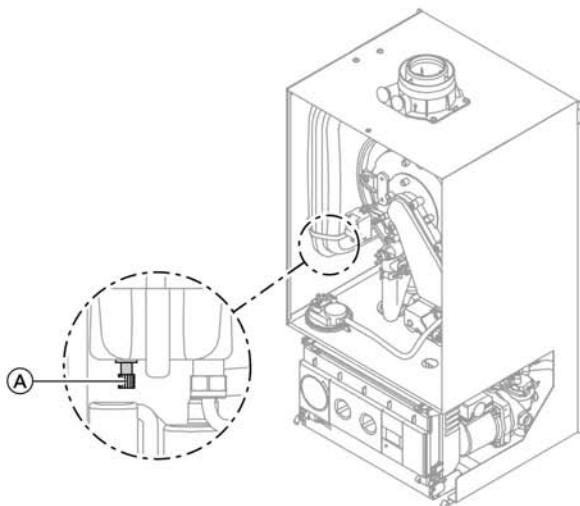
Note

Carry out this test on a cold system.

1. Empty the system until a pressure of "0" is displayed.

Note

To view the operating pressure, turn rotary selectors "⏴ III" and "⏴ ⚙" counter clockwise to the end stop.



Routine Servicing Instructions (cont.)

2. Check the inlet pressure of the diaphragm expansion vessel at the test nipple (A).
3. If the inlet pressure of the diaphragm expansion vessel is lower than the static system pressure, top up with nitrogen until the inlet pressure is raised by 0.1 to 0.2 bar.
4. Top up your heating system with water and vent until the filling pressure of a cool system is 0.2 bar higher than the inlet pressure of the diaphragm expansion vessel.
Max. operating pressure: 3 bar
Min. operating pressure: 1.0 bar

Topping up heating water via an external filling loop

1. Turn both rotary selectors "⏴ IIII" and "⏴ ⚡" counter clockwise to the end stop.
The display shows the operating pressure.
2. Top up heating water via the external filling loop, until the required operating pressure has been reached.
3. Return both rotary selectors "⏴ IIII" and "⏴ ⚡" to their original positions.

Checking function of all safety valves

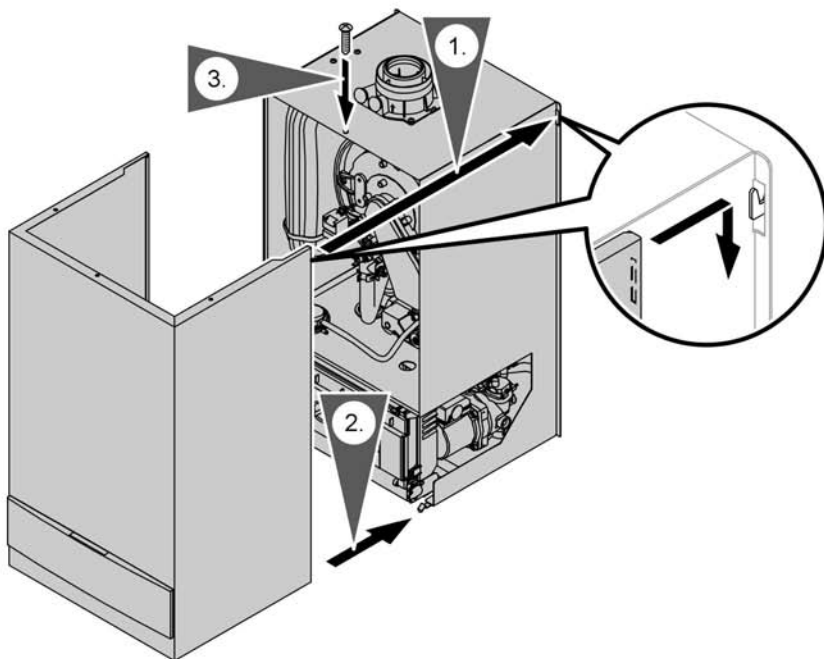
Checking tightness of electrical connections

Checking static and supply pressure

See page 50.

Routine Servicing Instructions (cont.)

Front panel installation



1. Hang the front panel to the wall mounting frame by the appropriate hook.
3. Insert the screw at the top of the boiler.

2. Press down the front panel at the bottom.

Note

The outer case forms a seal with the combustion box: It must therefore be securely fitted with the screw provided.

Start-up the boiler

1. Open gas shut-off valve and switch on mains voltage.
2. Check the operation of the appliance in both central heating and DHW modes.

Routine Servicing Instructions (cont.)

Checking all gas equipment for soundness at operating pressure



Danger

Escaping gas leads to a risk of explosion.

Check gas equipment for soundness.

Final checks

1. Check that the flue terminal is in good condition and clear of any obstructions.
2. Return all appliance and external controls (if fitted) to their original settings.

Fault finding

General

Note

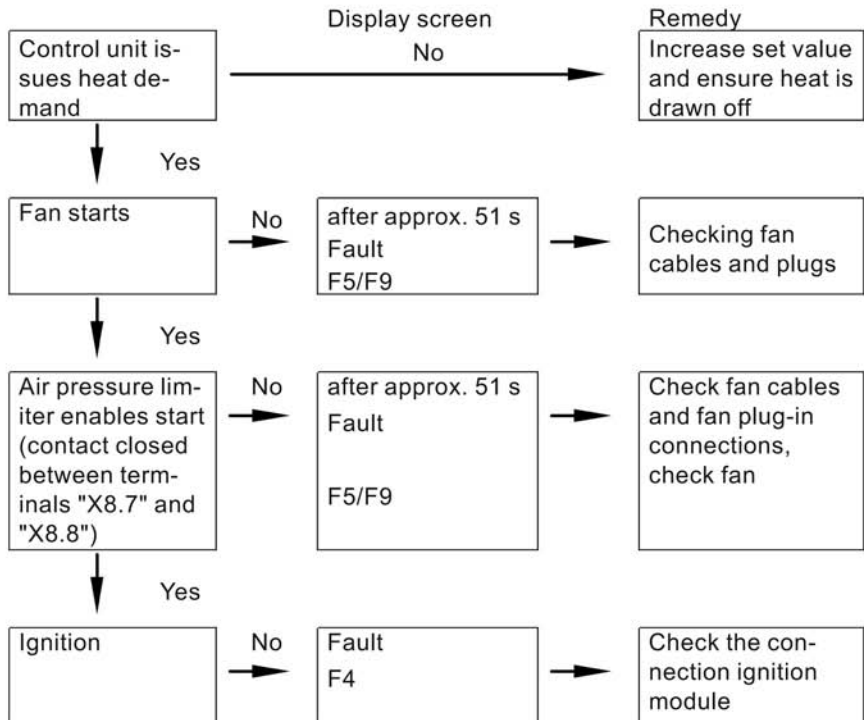
It is the law that any service work must be carried out by a competent CORGI registered engineer.

Before looking for a fault condition, check that:

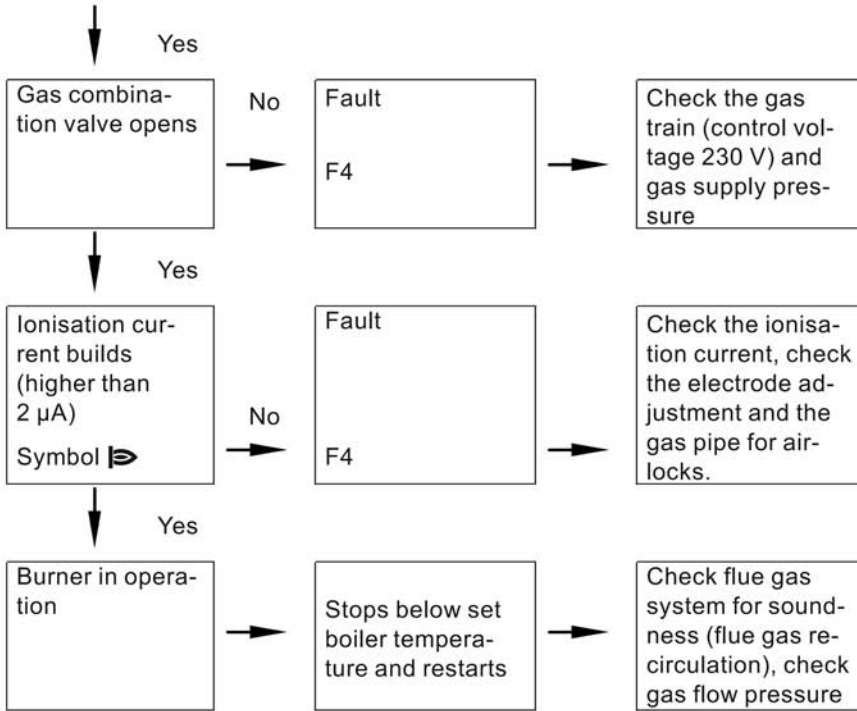
- The mains electrical supply is turned on.
- The clock and / or room thermostat (if fitted) are calling for heat (CH 'faults' only).

- The gas service cock is open.
 - The DHW (Combi only) and CH isolation cocks are open.
 - The system is at design pressure.
- Before attempting any electrical fault finding, always conduct the preliminary electrical system safety checks. On completion of any service or fault finding operation involving making or breaking electrical connections always check for earth continuity, polarity and resistance to earth.

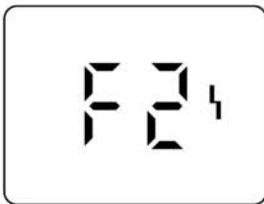
Function sequence and possible faults



Fault finding (cont.)



Fault messages in the display



Faults are indicated by a flashing fault code with fault symbol "f" and the reset key is illuminated. For fault code explanations see the following table.

Fault finding (cont.)

Display fault code	System characteristics	Cause	Measures
0b	Burner blocked	Flow of water to low. Air in heat exchanger. Flow switch faulty.	Check the circulation pump. Vent the heating system. Check the interconnecting cable.
0C	Burner blocked	Voltage to low.	Contact the electricity supplier.
30	Burner blocked	Boiler temperature sensor shorted out	Check the boiler temperature sensor (see page 81).
38	Burner blocked	Boiler temperature sensor lead break	Check the boiler temperature sensor (see page 81).
51	No DHW heating	Draw off temperature sensor short circuit	Check sensors (see page 83).
59	No DHW heating	Draw off temperature sensor short circuit	Check sensors (see page 83).
b1	Control mode	Communication fault – programming unit (internal)	Check connections and replace the programming unit, if necessary.
b5	Control mode	Internal fault	Replace control unit.
E4	Burner blocked	Fault – supply voltage	Replace control unit.
E5	Burner blocked	Internal fault	Check the ionisation electrode and leads. Press "Reset".
E6	Burner blocked	Water pressure too low	Top up water (see page 72).
F0	Burner blocked	Internal fault	Replace control unit.
F2	Burner in fault state	Temperature limiter has responded	Check the heating system water level. Check the circulation pump. Vent the heating system. Check the temperature limiter and leads. Press "Reset".

Fault finding (cont.)

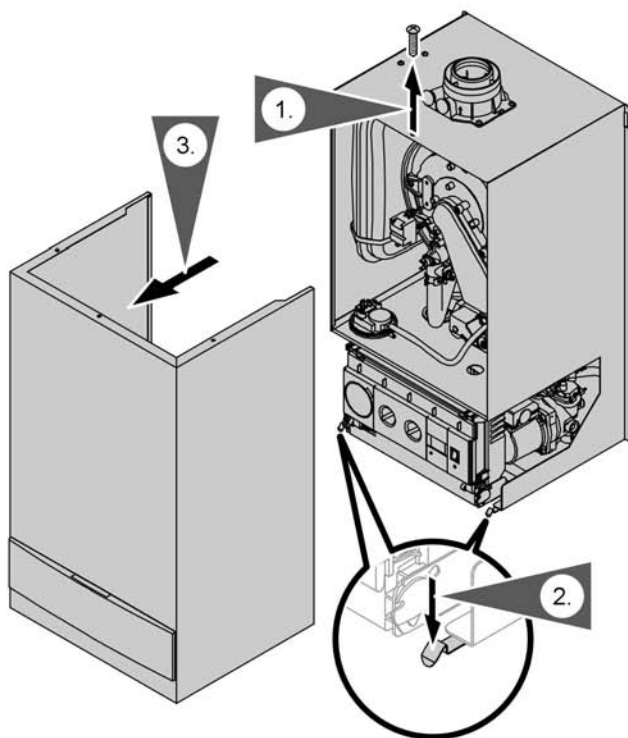
Display fault code	System characteristics	Cause	Measures
F3	Burner in fault state	The flame signal is already present at burner start	Check the ionisation electrode and leads. Press "Reset".
F4	Burner in fault state	No flame signal is present	Check the ionisation electrode and leads, measure the ionisation current, check the gas pressure, check the gas combination valve, ignition, ignition module and condensate drain. Press "Reset".
F5	Burner blocked	Air pressure switch faulty	Check the air pressure switch and the interconnecting cable.
F7	Burner blocked	Faulty water pressure sensor	Check the water pressure sensor and the interconnecting cable.
F8	Burner in fault state	Fuel valve closes too late	Check gas combination valve. Check both control paths. Press "Reset".
F9	Burner in fault state	Fan speed too low at burner start	Check the fan, check the fan cables and supply, check the fan control. Press "Reset".
FA	Burner in fault state	Fan not at standstill	Check the fan, check the fan cables, check the fan control. Press "Reset".
Fd	Burner blocked	Burner control unit fault	Check the ignition electrodes and leads. Check whether a strong interference (EMC) field exists near the equipment. Press "Reset". If the fault is not removed, replace the control unit.

Fault finding (cont.)

Display fault code	System characteristics	Cause	Measures
FE	Burner blocked	Faulty main PCB	Switch OFF the control unit, if the equipment will not restart.

Repairs

Removing front panel



1. Remove the screw at the top of the boiler.
2. Press down the springs on the underside of the boiler and remove the front panel.

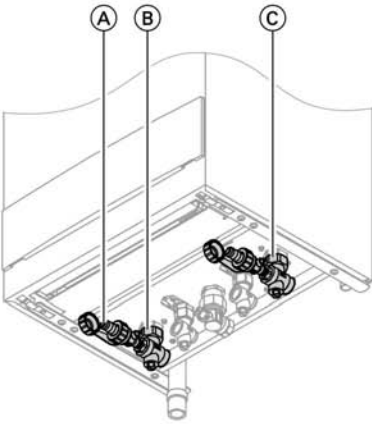
Repairs (cont.)

- Lift the front panel from the wall mounting frame.

Drain boiler on the primary side

Note

For certain repairs the boiler must be drained on the primary side.



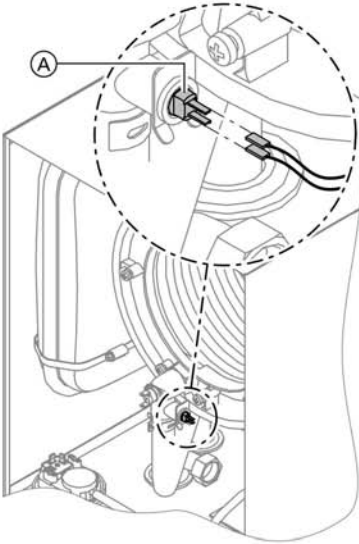
- Connect the drain hose to valve (A) and connect with a drain outlet.
- Close shut-off valves (B) and (C).
- Open valve (A) and drain the boiler as far as required.

Note

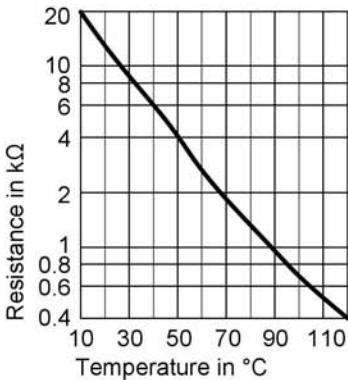
Residual water left in the boiler.
Filling up on the primary side see page 48.

Repairs (cont.)

Boiler temperature sensor



1. Pull the leads from boiler temperature sensor (A) and measure the resistance.



2. Check the sensor resistance and compare actual values with the curve.
3. In case of severe deviation, drain boiler on the primary side (see page 80) and replace the sensor.

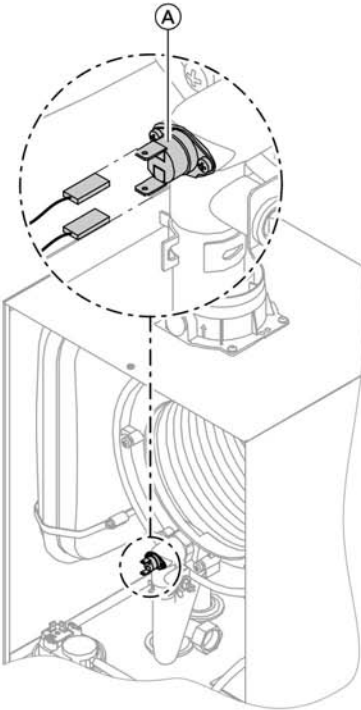


Danger

The boiler temperature sensor is immersed in the heating water (risk of scalding). Drain the boiler before replacing the sensor.

Repairs (cont.)**Check the temperature limiter**

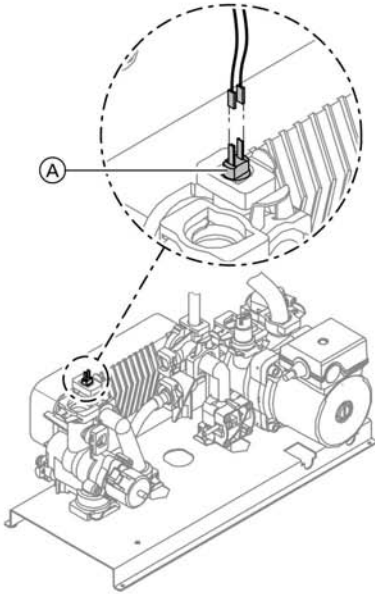
If the burner control unit cannot be reset after a fault shutdown, although the boiler water temperature is below approx. 75 °C, check the temperature limiter.



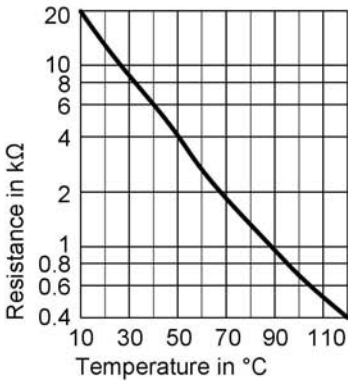
1. Pull the leads from temperature limiter **(A)**.
2. Check the continuity of the temperature limiter with a multimeter.
3. Remove faulty temperature limiter.
4. Coat the replacement temperature limiter with heat conducting paste and install.
5. To reset press "Reset" key on the control unit.

Repairs (cont.)

Check the DHW temperature sensor (only for gas combination devices)



1. Pull the leads from outlet temperature sensor (A)
2. Check the sensor resistance and compare actual values with the curve.



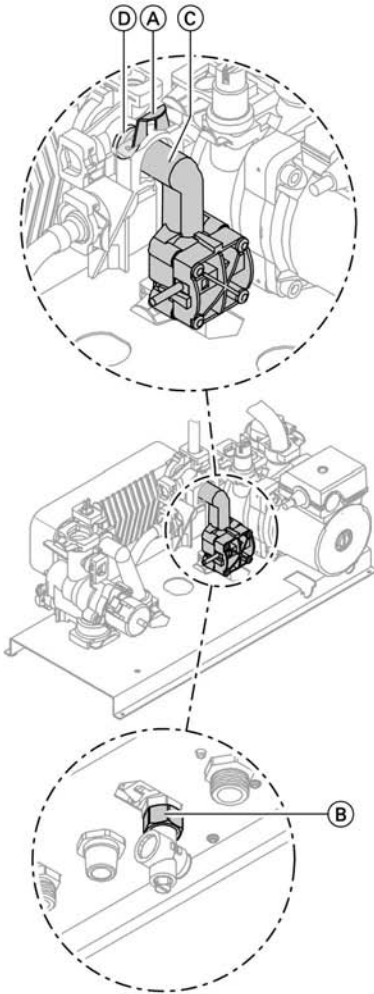
3. Replace the sensor in case of severe deviation.

Note

Water can leak out when replacing the outlet sensor. Close the cold water shut-off valve. Drain DHW pipe and plate heat exchanger (secondary side).

Repairs (cont.)

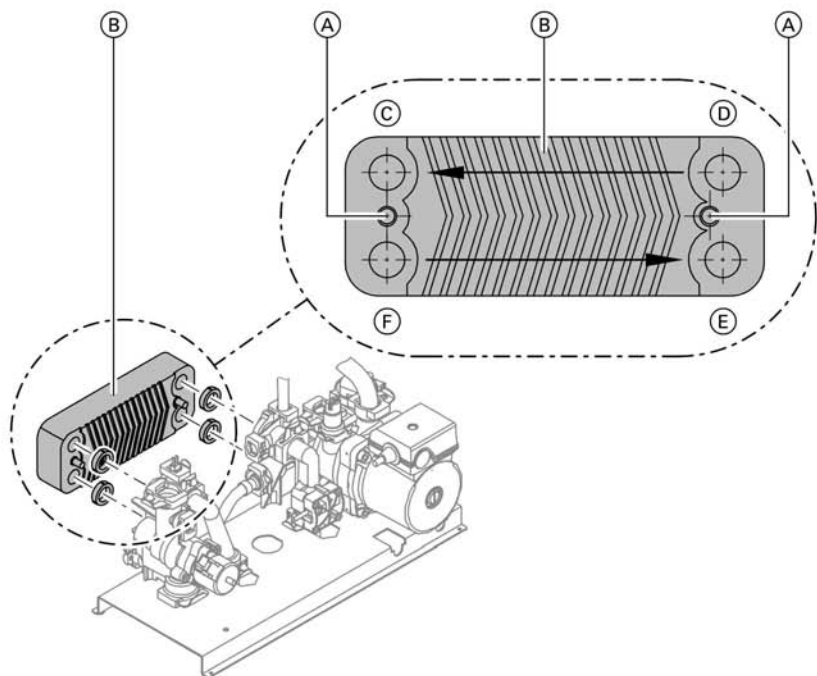
Replacing flow limiter



1. Switch OFF the mains power.
2. Close the gas shut-off valve and safeguard against reopening.
3. Drain the boiler from the secondary side.
4. Pivot the control unit downwards.
5. Release the ties (A) and screws (B).
6. Remove the flow switch (C) connector.
7. Replace flow limiter (D).
8. Refit the flow switch (C) connector.

Repairs (cont.)

Checking plate heat exchanger



- Ⓒ DHW
- Ⓓ Cold water

- Ⓔ Heating water return
- Ⓕ Heating water flow

1. Switch OFF the mains power.
 2. Close the gas shut-off valve and safeguard against reopening.
 3. Shut off and drain the boiler on the primary and the secondary side. Draining on the primary side (see page 80).
 4. Flip down control unit.
 5. Remove two screws Ⓐ at the plate heat exchanger and Ⓑ remove.
- Note**
During removal, small amounts of water may trickle out and escape from the removed plate heat exchanger.
6. Check the secondary side for contamination and, if necessary, clean or replace the plate heat exchanger.

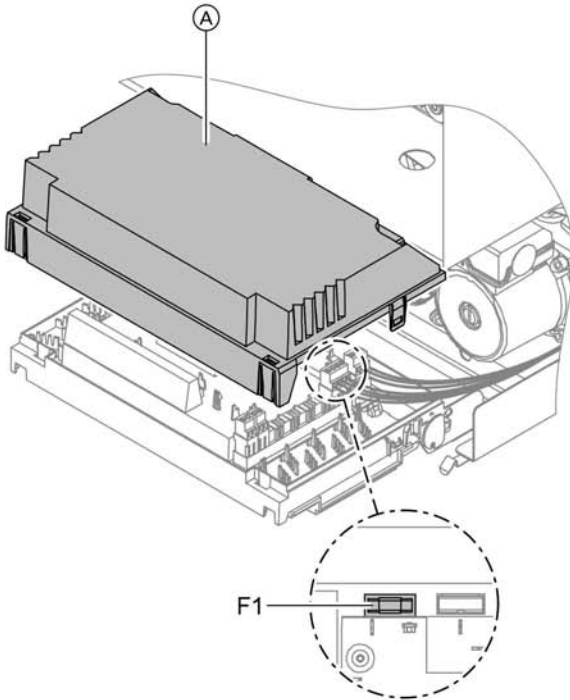
Repairs (cont.)

7. Check the primary side for contamination and, if necessary, clean or replace the plate heat exchanger.
8. Install in reverse order using new gaskets.

Note

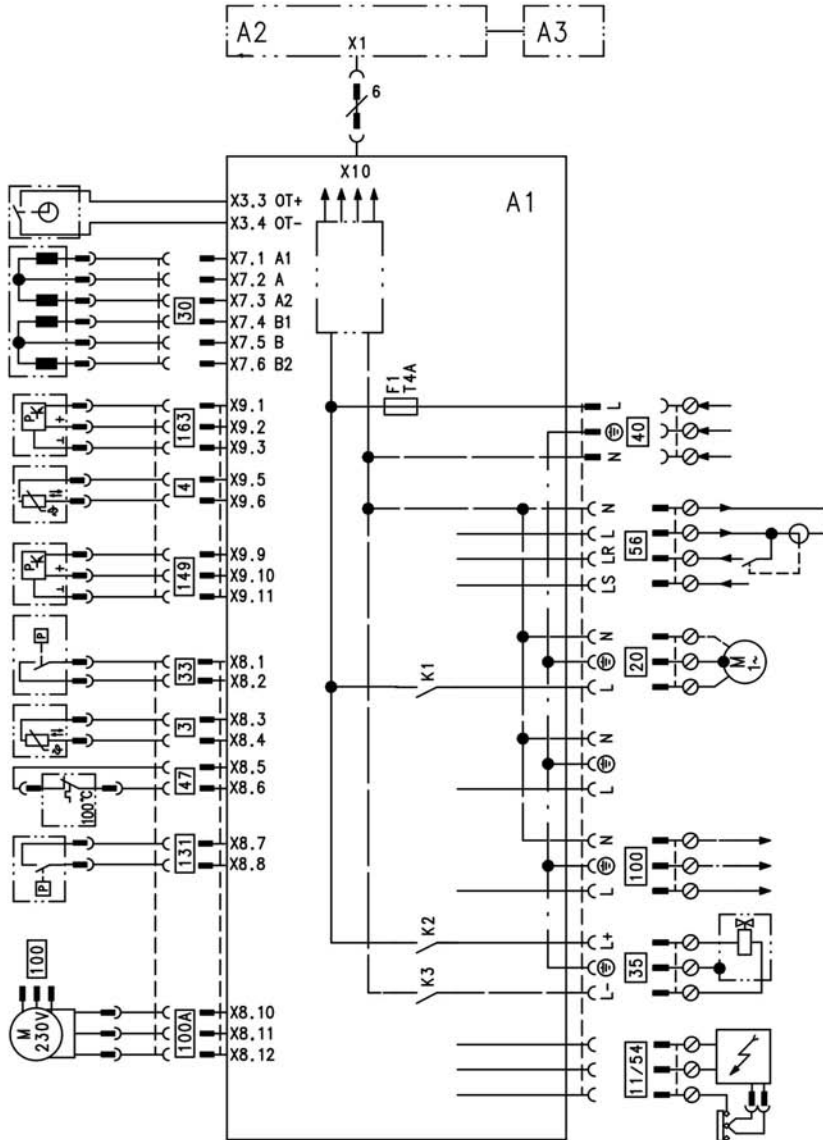
Ensure that fixing holes and seals are aligned. Install the heat plate exchanger the correct way round.

Checking the fuse



1. Switch OFF the mains power.
2. Flip down control unit.
3. Remove cover (A).
4. Check fuse F1.

Connection and wiring diagrams – combi boiler



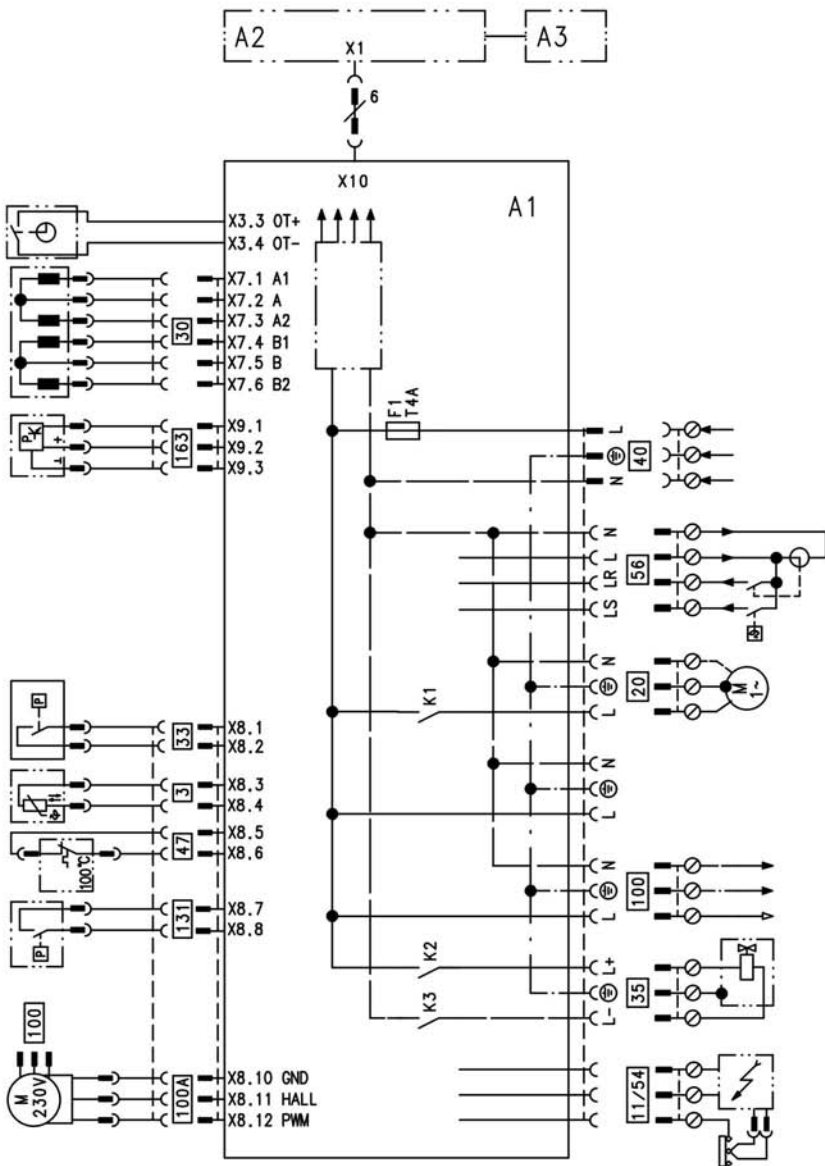
A1 Main PCB
 A2 Programming unit

A3 Time switch

Connection and wiring diagrams – combi boiler (cont.)

Ⓐ	Alternative (remove jumper when connecting)	40	Mains input 230V~/50Hz
3	Boiler temperature sensor	47	Temperature limiter
4	DHW outlet sensor	56	Mains connection accessories/ room temperature control
20	Circulation pump 230V~	100	A Fan
30	Step motor diverter valve	131	Air pressure switch
33	Flow switch (Heating water)	149	Flow switch (DHW)
35	Gas solenoid valve	163	Water pressure sensor

Connection and wiring diagram - system boiler



A1 Main PCB
A2 Programming unit

A3 Time switch

Connection and wiring diagram - system boiler (cont.)

Ⓐ	Alternative (remove jumper when connecting)	47	Temperature limiter
3	Boiler temperature sensor	56	Mains connection accessories/ room temperature control/DHW cylinder control
20	Circulation pump 230V~	100	A Fan
30	Step motor diverter valve	131	Air pressure switch
33	Flow switch (Heating water)	163	Water pressure sensor
35	Gas solenoid valve		
40	Mains input 230V~/50Hz		

Parts lists

Spare parts information

Quote the type and serial no. (see data plate) and the item no. of the required part (as per this parts list).

Obtain standard parts from your local supplier.

001 Thermocouple	032 Bypass with overflow valve
002 Temperature sensor	033 Grommets
003 Pressure switch	034 Line retainer
004 Control cable	037 Hydraulic
005 Diaphragm expansion vessel connecting cable	038 Expansion pipe
006 Diaphragm expansion vessel	043 DHW connection
007 Boiler connection plug	050 Burner gasket
008 Boiler adaptor	051 Insulation ring
009 Flue gas gaskets (set)	052 Burner gauze assembly
010 Heat exchanger	053 Burner gauze assembly gasket
011 Insulating block	058 Mixture damper
012 Heat exchanger mounting (set)	059 Radial fan
013 Condensate hose	060 Venturi top
014 Siphon	061 Gas train
015 Condensate pipe	062 Burner door
016 Gas supply pipe	063 Ignition unit
017 Heating water flow connection elbow	065 Flow switch (Heating water)
018 Heating water return connection elbow	070 Drain pipe safety valve
019 Heating water flow connection pipe	071 Clip Ø 8 mm
020 Heating water return connection pipe	072 Clip Ø 10 mm
021 Plate heat exchanger* ¹	073 Clip Ø 14 mm
022 Gasket set – plate heat exchan- ger* ¹	074 Clip Ø 18 mm
026 Quick air vent valve cartridge	075 Clip Ø 20 mm
027 Safety valve	076 Hose clip
028 Water pressure sensor	077 Safety spring
029 Flow switch (DHW)* ¹	078 Locking pin
030 Step motor cartridge	080 Control unit
031 Circulation pump	081 Cover – wiring chamber
	097 O-ring 17.9 x 2.6 mm (set)
	098 Gasket 19 x 2 mm (set)
	099 Gasket A 11.5 x 18.5 x 2 mm
	100 Gasket A 17 x 24 x 2 mm (set)
	103 O-ring 9.6 x 2.4 mm (set)
	104 O-ring 20.6 x 2.6 mm (set)
	200 Front panel
	201 Spring tie
	202 Cover flap
	302 Domestic water fittings* ¹
	303 Fill & drain valve
	304 Heating water fittings
	305 Elbow with locking ring fittings* ²

*¹Only for serial no. 7248 589 and 7248 590

*²Only for serial no. 7248 588

Parts lists (cont.)

- 306 Corner gas tap
- 307 Dichtungen (Satz)
- 308 Heating water pipe bends (set)
- 309 Domestic water pipe bends (set)
*1

Wearing parts

- 054 Ignition and ionisation electrode

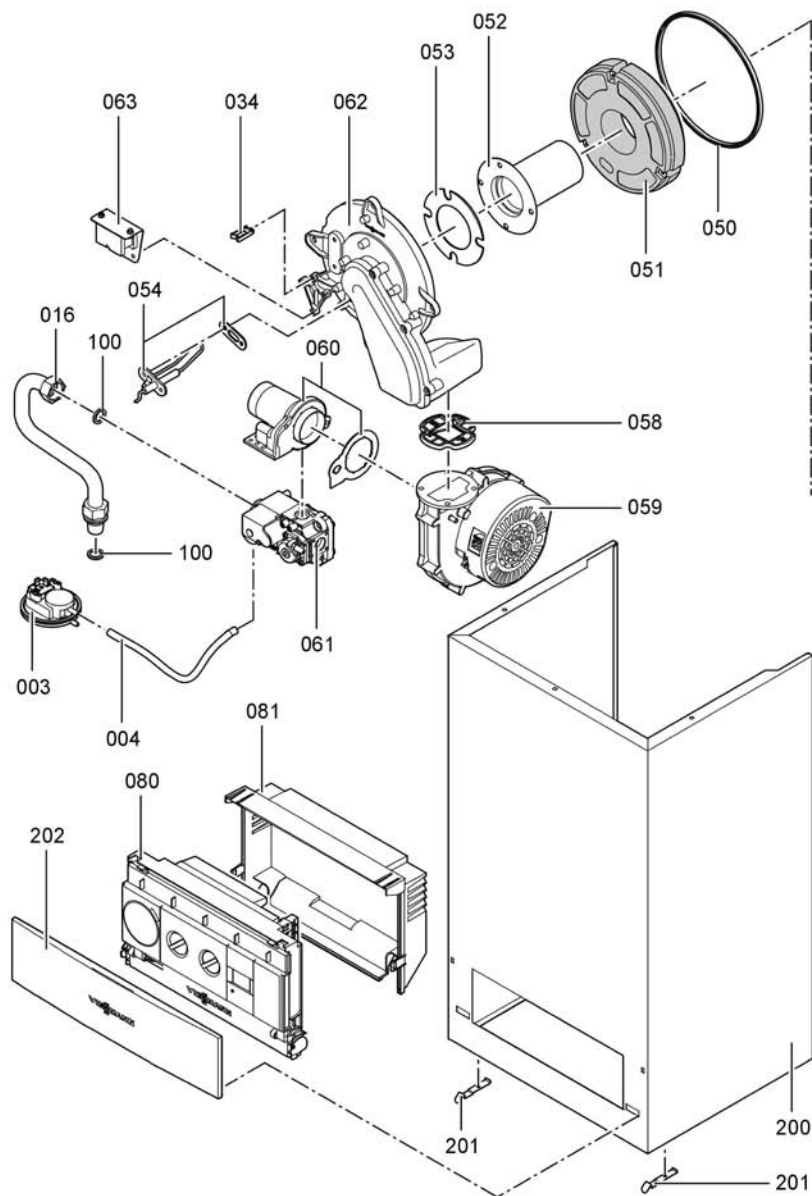
Parts not shown

- 039 Installation and service instructions
- 090 Cable harness X8

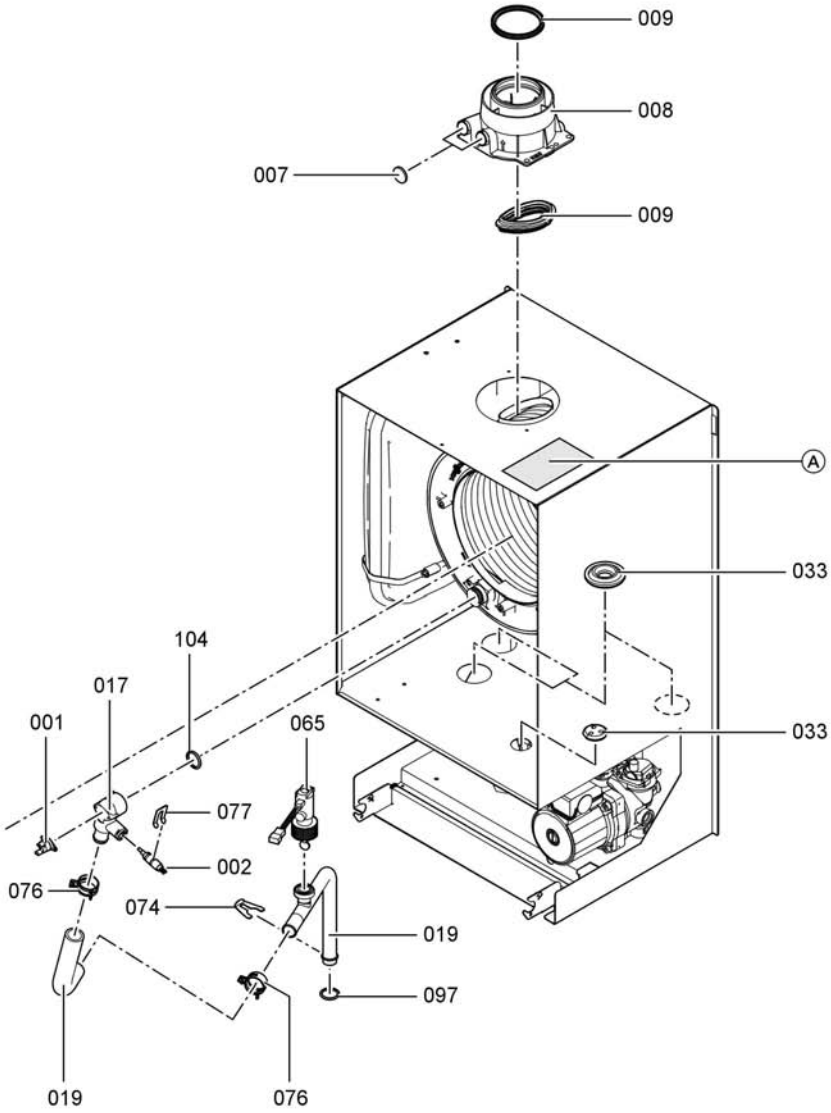
- 091 Cable harness X9
- 092 Cable harness 100
- 093 Step motor connecting cable
- 094 Mains power switch cable harness
- 095 Gas valve connecting cable 35
- 096 Ignition transformer/ionisation connecting cable
- 300 Touch-up spray paint, Vitowhite
- 301 Touch-up paint stick, Vitowhite
- Ⓐ Data plate

*1 Only for serial no. 7248 589 and 7248 590

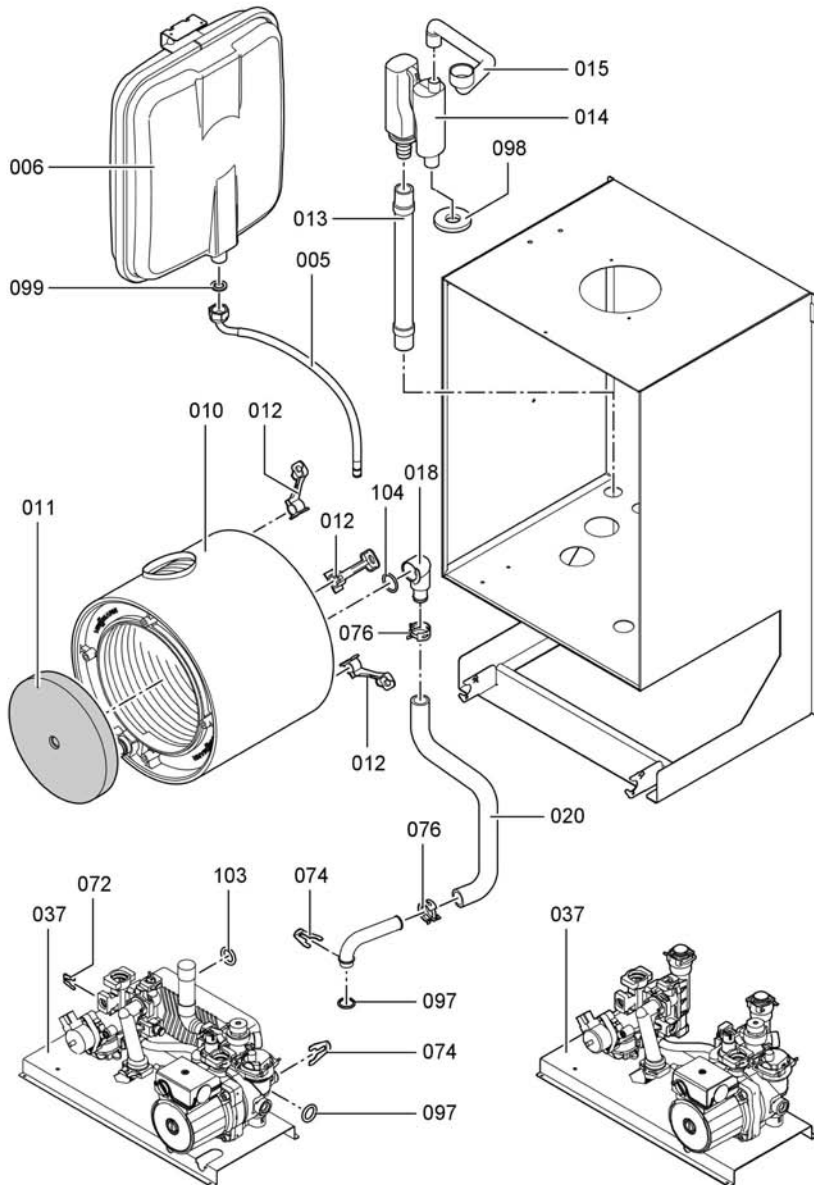
Parts lists (cont.)



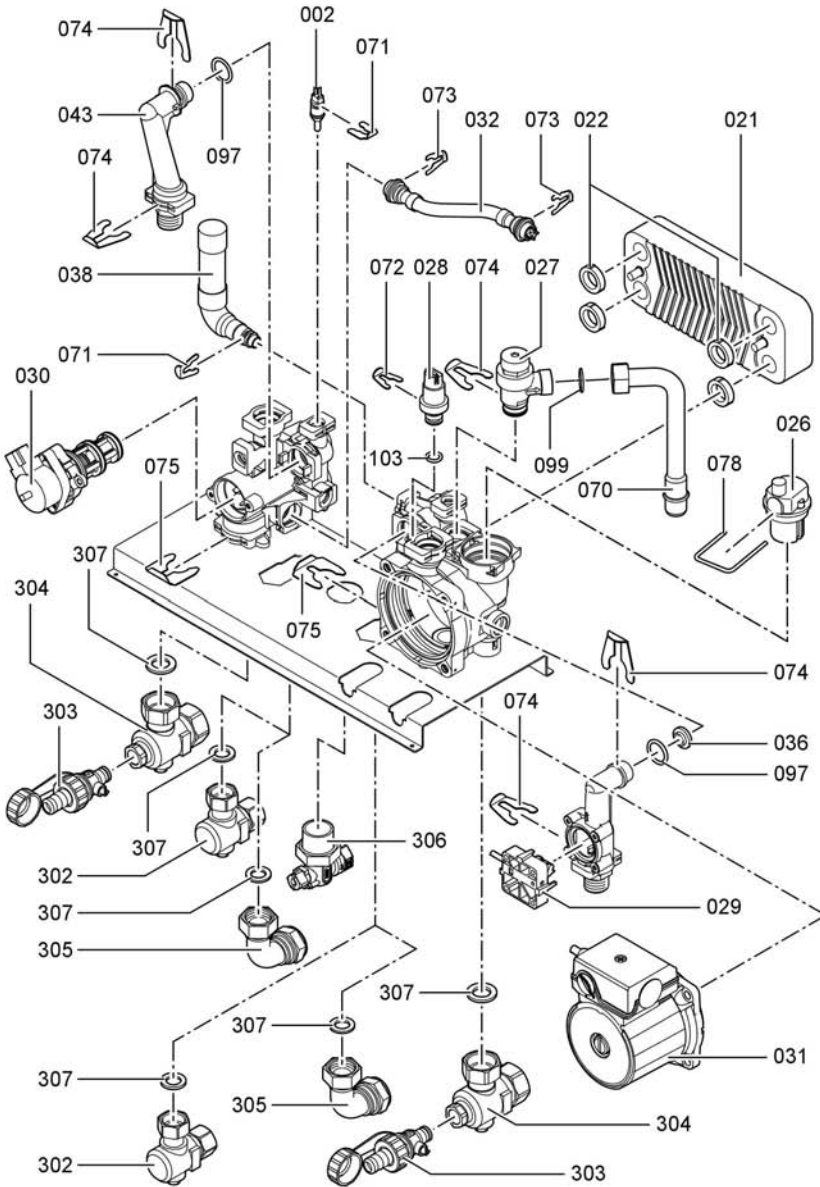
Parts lists (cont.)



Parts lists (cont.)

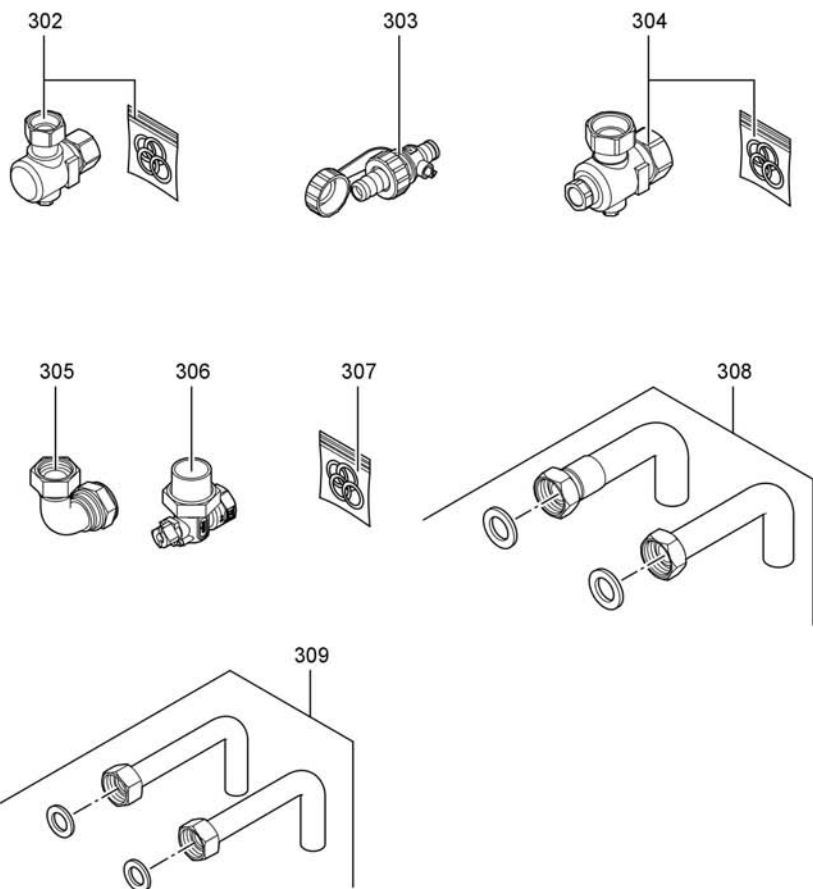


Parts lists (cont.)



Parts lists

Parts lists (cont.)



Commissioning/service reports



BENCHMARK No. | | | | | | | | | |

GAS BOILER COMMISSIONING CHECKLIST

BOILER SERIAL No. _____ NOTIFICATION No. _____

CONTROLS To comply with the Building Regulations, each section must have a tick in one or other of the boxes

TIME & TEMPERATURE CONTROL TO HEATING	ROOM T/STAT & PROGRAMMER/TIMER	<input type="checkbox"/>	PROGRAMMABLE ROOMSTAT	<input type="checkbox"/>
TIME & TEMPERATURE CONTROL TO HOT WATER	CYLINDER T/STAT & PROGRAMMER/TIMER	<input type="checkbox"/>	COMBI BOILER	<input type="checkbox"/>
HEATING ZONE VALVES	FITTED	<input type="checkbox"/>	NOT REQUIRED	<input type="checkbox"/>
HOT WATER ZONE VALVES	FITTED	<input type="checkbox"/>	NOT REQUIRED	<input type="checkbox"/>
THERMOSTATIC RADIATOR VALVES	FITTED	<input type="checkbox"/>	NOT REQUIRED	<input type="checkbox"/>
AUTOMATIC BYPASS TO SYSTEM	FITTED	<input type="checkbox"/>	NOT REQUIRED	<input type="checkbox"/>

FOR ALL BOILERS CONFIRM THE FOLLOWING

THE SYSTEM HAS BEEN FLUSHED IN ACCORDANCE WITH THE BOILER MANUFACTURER'S INSTRUCTIONS?

THE SYSTEM CLEANER USED _____

THE INHIBITOR USED _____

FOR THE CENTRAL HEATING MODE, MEASURE & RECORD

GAS RATE _____ m³/hr _____ ft³/hr

BURNER OPERATING PRESSURE (IF APPLICABLE) _____ N/A mbar

CENTRAL HEATING FLOW TEMPERATURE _____ °C

CENTRAL HEATING RETURN TEMPERATURE _____ °C

Commissioning/service reports (cont.)

FOR COMBINATION BOILERS ONLY

HAS A WATER SCALE REDUCER BEEN FITTED? YES NO

WHAT TYPE OF SCALE REDUCER HAS BEEN FITTED? _____

FOR THE DOMESTIC HOT WATER MODE, MEASURE & RECORD

GAS RATE _____ m³/hr _____ ft³/hr

MAXIMUM BURNER OPERATING PRESSURE (IF APPLICABLE) _____ mbar

COLD WATER INLET TEMPERATURE _____ °C

HOT WATER OUTLET TEMPERATURE _____ °C

WATER FLOW RATE _____ lts/min

FOR CONDENSING BOILERS ONLY CONFIRM THE FOLLOWING

THE CONDENSATE DRAIN HAS BEEN INSTALLED IN ACCORDANCE WITH THE MANUFACTURER'S INSTRUCTIONS? YES

FOR ALL INSTALLATIONS CONFIRM THE FOLLOWING

THE HEATING AND HOT WATER SYSTEM COMPLIES WITH CURRENT BUILDING REGULATIONS

THE APPLIANCE AND ASSOCIATED EQUIPMENT HAS BEEN INSTALLED AND COMMISSIONED IN ACCORDANCE WITH THE MANUFACTURER'S INSTRUCTIONS

IF REQUIRED BY THE MANUFACTURER, HAVE YOU RECORDED A CO/CO₂ RATIO READING? N/A YES CO/CO₂ RATIO _____

THE OPERATION OF THE APPLIANCE AND SYSTEM CONTROLS HAVE BEEN DEMONSTRATED TO THE CUSTOMER

THE MANUFACTURER'S LITERATURE HAS BEEN LEFT WITH THE CUSTOMER

COMMISSIONING ENG'S NAME PRINT _____ SIGN _____
 _____ CORGI ID No. _____
 _____ DATE _____

Commissioning/service reports (cont.)

SERVICE INTERVAL RECORD

It is recommended that your heating system is serviced regularly and that you complete the appropriate Service Interval Record Below.

Service Provider. Before completing the appropriate Service Interval Record below, please ensure you have carried out the service as described in the boiler manufacturer's instructions. Always use the manufacturer's specified spare part when replacing all controls

SERVICE 1 DATE

ENGINEER NAME

COMPANY NAME

TEL No.

CORGI ID CARD SERIAL No.

COMMENTS

SIGNATURE

SERVICE 2 DATE

ENGINEER NAME

COMPANY NAME

TEL No.

CORGI ID CARD SERIAL No.

COMMENTS

SIGNATURE

SERVICE 3 DATE

ENGINEER NAME

COMPANY NAME

TEL No.

CORGI ID CARD SERIAL No.

COMMENTS

SIGNATURE

SERVICE 4 DATE

ENGINEER NAME

COMPANY NAME

TEL No.

CORGI ID CARD SERIAL No.

COMMENTS

SIGNATURE

Commissioning/service reports (cont.)

SERVICE 6 DATE _____
ENGINEER NAME _____
COMPANY NAME _____
TEL No. _____
CORG I D CARD SERIAL No. _____
COMMENTS _____
SIGNATURE _____

SERVICE 8 DATE _____
ENGINEER NAME _____
COMPANY NAME _____
TEL No. _____
CORG I D CARD SERIAL No. _____
COMMENTS _____
SIGNATURE _____

SERVICE 10 DATE _____
ENGINEER NAME _____
COMPANY NAME _____
TEL No. _____
CORG I D CARD SERIAL No. _____
COMMENTS _____
SIGNATURE _____

SERVICE 5 DATE _____
ENGINEER NAME _____
COMPANY NAME _____
TEL No. _____
CORG I D CARD SERIAL No. _____
COMMENTS _____
SIGNATURE _____

SERVICE 7 DATE _____
ENGINEER NAME _____
COMPANY NAME _____
TEL No. _____
CORG I D CARD SERIAL No. _____
COMMENTS _____
SIGNATURE _____

SERVICE 9 DATE _____
ENGINEER NAME _____
COMPANY NAME _____
TEL No. _____
CORG I D CARD SERIAL No. _____
COMMENTS _____
SIGNATURE _____

Declaration of conformity

Declaration of conformity for Vitodens 100-W

We, Viessmann Werke GmbH & Co KG, D-35107 Allendorf, declare as sole responsible body, that the product

**Vitodens 100-W
conforms to the following stan-
dards:**

DIN 4702-6
EN 297
EN 483
EN 625
EN 677
EN 50,165
EN 55,014
EN 60,335
EN 61 000-3-2
EN 61 000-3-3

**This product is designated in accor-
dance with the following directives:**

90/ 396/EEC
89/ 336/EEC
92/ 42/EEC
2006/95/EEC

as follows:

CE-0085

This product complies with the requirements of the Efficiency Directive (92/42/EEC) for condensing boilers.

Allendorf, 02.04.07

Viessmann Werke GmbH&Co KG



pp. Manfred Sommer

Keyword index

A		H	
additives	56	Horizontal Flue System	9
Appliance description	5	I	
Appliance Dimensions	7	Ignition electrode	67
B		Installing fittings	43
Boiler Position	21	M	
Boiler temperature sensor	81	Mains connection	52
Burner removal	65	Mounting boiler	42
C		O	
Certification details	5	Outlet temperature sensor	83
Cleaning the heating surfaces	68	P	
Condensate connection	46	Plate heat exchanger	85
Connect room temperature control	53	R	
Connect safety temperature control	42	Removing front panel	42
Connection diagrams	87	S	
D		Safety chain	73
Declaration of conformity	102	Safety Valve	45
E		Siphon cleaning	69
Electrical connections	50	Static pressure	59
Electricity Supply	38	System pressure	59
F		T	
Fault codes	77	Technical Specification	6
Fault finding	75	Temperature limiter	82
Fault messages	76	Topping up heating water	72
Fill the system	59	U	
Final checks	62	User's instructions	63
Flow limiter	84	V	
Flue outlet	49	Venting	58
Function sequence	75	Vertical Flue System	10
Fuse	86	W	
G		Wall mounting bracket installation	39
Gas combination valve	51		
Gas connection	43		
Gas Supply	37		
Gas supply pressure	59		
General Information	5		

Applicability

Gas fired condensing combi boiler

Type WB1A

8 to 24 kW

from serial no.

7248 590 7 00001

8 to 30 kW

from serial no.

7248 589 7 00001

Viessmann Werke GmbH&Co KG

D-35107 Allendorf

Telephone: +49 6452 70-0

Fax: +49 6452 70-2780

www.viessmann.com

Gas fired condensing boiler

Type WB1A

8 to 24 kW

from serial no.

7248 588 7 00001

Viessmann Limited

Hortonwood 30, Telford

Shropshire, TF1 7YP, GB

Telephone: +44 1952 675000

Fax: +44 1952 675040

E-mail: info-uk@viessmann.com

