

Replacing the heat exchanger or return pipe

for Vitodens 200-W, type WB2B and WB2C, 80 and 105 kW

Safety instructions



Please follow these safety instructions closely to prevent accidents and material losses.

Safety instructions explained



Danger

This symbol warns against the risk of injury.

When using gas as fuel, also close the main gas shut-off valve and safeguard against unauthorised reopening.

Note

Details identified by the word "Note" contain additional information.

Repairing components which fulfil a safety function can compromise the safe operation of your heating system. For replacements, use only original spare parts supplied or approved by Viessmann.

Installation, initial start-up, inspection, maintenance and repairs must only be carried out by a competent person (heating engineer/installation contractor).

Before working on the equipment/heating system, isolate the power supply (e.g. by removing a separate mains fuse or by means of a mains isolator) and safeguard against unauthorised reconnection.

Opening and draining the boiler and removing the burner



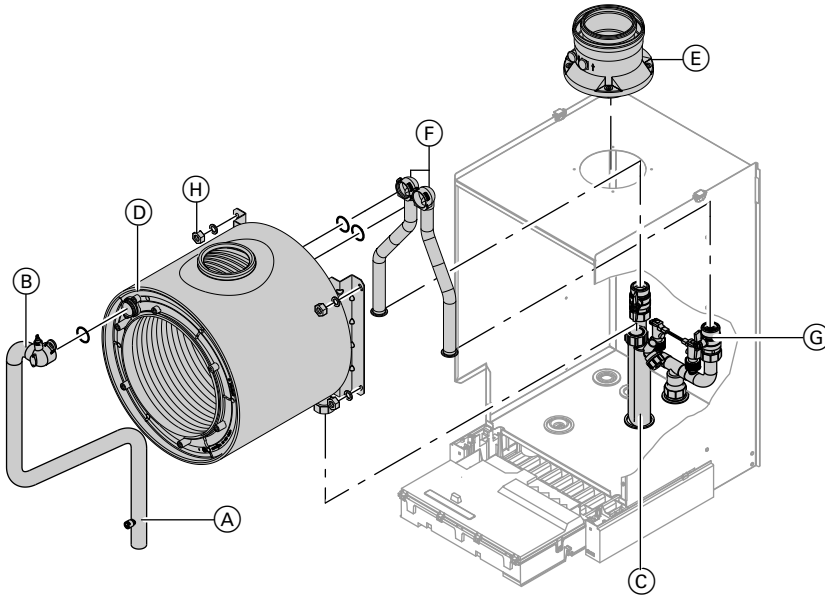
Service instructions

Vitodens 200-W

Replacing the heat exchanger

Note

Residual water may escape during dismantling.



Shown: type WB2B

1. Pull the leads off the sensors on flow pipe (A).
2. Release fitting on flow pipe (A) and unscrew connection bracket (B). Remove flow pipe (A) with sensors.
3. Undo union nuts and remove siphon (C) from heat exchanger (D).
4. Remove balanced flue connection, undo screws and pull out boiler flue connection (E).
5. Undo fittings on return pipes (F) at the ball valves (G).
6. Release hexagon nuts (H) and remove heat exchanger (D).
7. Undo connection bracket screw and remove faulty return pipe (F) or both return pipes (F).
8. Secure return pipes (F) with new gaskets to (new) heat exchanger (D).

Replacing the heat exchanger (cont.)

9. Install heat exchanger (D) in the boiler and tighten hexagon nuts (H) with 6 Nm torque.
10. Assemble the boiler in reverse order.
11. Fill the boiler with water, flush and check for leaks.



Service instructions



Danger

Escaping gas leads to a risk of explosion.

Check gas equipment for tightness.

Note

Insert new gaskets on all connections on the gas and water side. Lubricate all O-rings on the heating water side with the instrument grease supplied.



Viessmann Climate Solutions SE
35108 Allendorf / Germany
Telephone: +49 6452 70-0
Fax: +49 6452 70-2780
www.viessmann.com



Viessmann Limited
Hortonwood 30, Telford
Shropshire, TF1 7YP, GB
Telephone: +44 1952 675000
Fax: +44 1952 675040
E-mail: info-uk@viessmann.com

5724033 Subject to technical modifications.