

Pressure gauge replacement

for Vitodens 100-W

Safety instructions



Please follow these safety instructions closely to prevent accidents and material losses.

Safety instructions explained



Danger

This symbol warns against the risk of injury.

When using gas as fuel, also close the main gas shut-off valve and safeguard against unauthorised reopening.

Note

Details identified by the word "Note" contain additional information.

Installation, initial start-up, inspection, maintenance and repairs must only be carried out by a competent person (heating engineer/installation contractor).

Repairing components which fulfil a safety function can compromise the safe operation of your heating system. For replacements, use only original spare parts supplied or approved by Viessmann.

Before working on the equipment/heating system, isolate the power supply (e.g. by removing a separate mains fuse or by means of a mains isolator) and safeguard against unauthorised reconnection.

Opening the Vitodens and removing the burner

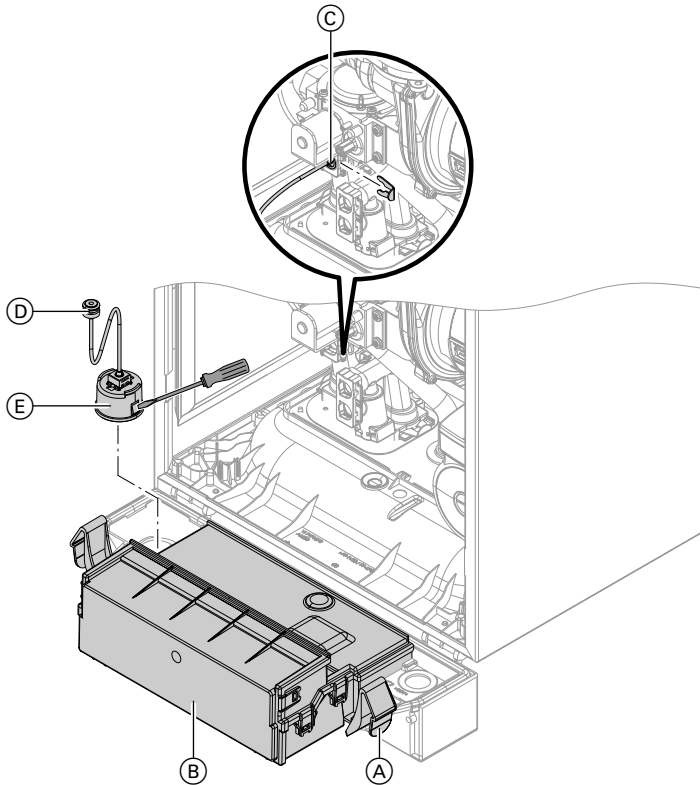


Installation and service instructions

Replacing the pressure gauge

Note

Residual water may escape during removal.



1. Drain the boiler on the heating water side.



Installation and service instructions

2. Release side closures (A) and pivot control unit (B) downward.
3. Remove spring clip (C) and pull capillary tube (D) off pressure gauge (E).
4. Using a screwdriver, undo catches on control unit support and remove pressure gauge (E).
5. Fit new pressure gauge (E).

Replacing the pressure gauge (cont.)

6. Insert capillary tube (D) and secure with spring clip (C).
8. Fill the boiler with water, flush (vent) and check for leaks.

Note

Route capillary tube (D) so that the control unit can be pivoted.

7. Reassemble the boiler in reverse order.



Installation and service instructions



Danger

Escaping gas leads to a risk of explosion.

Check all gas equipment for tightness.



Viessmann Climate Solutions SE
35108 Allendorf / Germany
Telephone: +49 6452 70-0
Fax: +49 6452 70-2780
www.viessmann.com



Viessmann Limited
Hortonwood 30, Telford
Shropshire, TF1 7YP, GB
Telephone: +44 1952 675000
Fax: +44 1952 675040
E-mail: info-uk@viessmann.com

5603003 Subject to technical modifications.