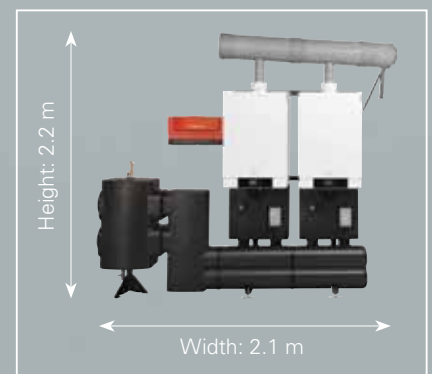


# TopTechnology

## New Vitodens 200-W compact cascade system

**30% smaller**



Previous cascade

Fitting Viessmann commercial boilers has never been easier, thanks to the new Vitodens 200-W compact cascade system. Available on the 49, 60, 80 and 99 kW Vitodens 200-W models, the compact cascade system saves significant space within the plant room and halves installation time.

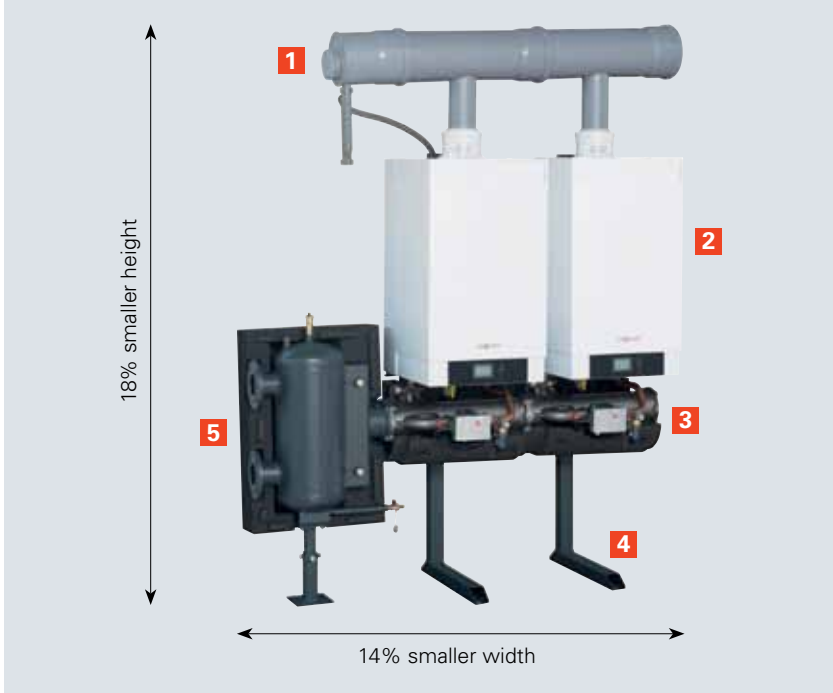
Now 30% smaller than the previous cascade configuration, it is perfect for plant rooms with lower footprints or with a small headroom, as the boiler height can be adjusted on the frame. Suitable for row, block or even corner installations, the compact cascade can be wall mounted or simply fitted with a free-standing frame for 2,3,4,5 or 6 boiler units at a time. This can deliver a maximum output of 594 kW with a 6 boiler cascade.

The easy to assemble cascade will save up to 50% on the installation time thanks to a refined design and brand new fully preassembled heating circuit connection set. This integrates the flow and return cascade, 4 bar safety valve, ball cocks and draining all within a single connection set, which can be easily fitted to the frame or wall mount.

Additional 120 and 150 kW Vitodens 200-W models are also available with a separate cascade system.

- **30% smaller than previous configurations**
- **Adjustable boiler height on cascade frame**
- **Save up to 50% on installation time**
- **New preassembled heating circuit connection set**
- **Available on 49 - 99 kW Vitodens 200-W models**
- **Cascade 2,3,4,5 or 6 boilers up to 594 kW**

**Vitodens 200-W compact cascade system**



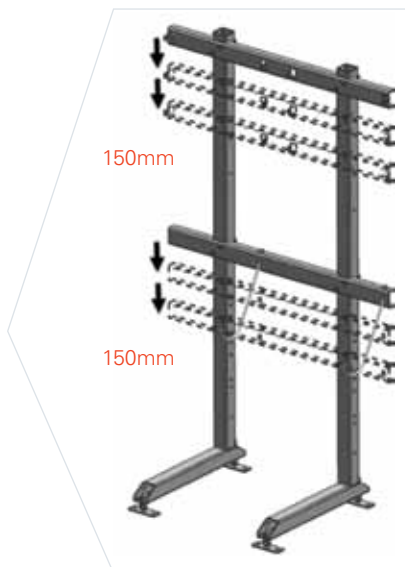
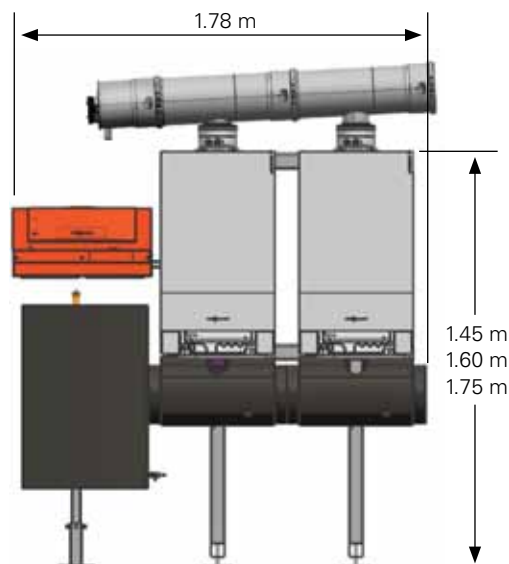
**Vitodens 200-W compact cascade system**

- 1 Flue gas cascade
- 2 Vitodens 200-W gas condensing boiler
- 3 Heating circuit connection set
- 4 Cascade frame or wall bracket
- 5 Low loss header

**Cascade Specifications**

- Maximum Install Height  
With frame and gas header: 2 metres  
Without frame: 1.8 metres
- Minimum Install Height  
With frame and gas header 1.7 metres  
Without frame: 1.5 metres

**Vitodens 200-W, Cascade - New mounting frame with height adjustment**



**10 Year Warranty**

on all stainless steel heat exchangers for gas condensing boilers up to 150 kW

Viessmann Limited  
Hortonwood 30  
Telford TF1 7YP  
Telephone: 01952 675000  
Fax: 01952 675040  
Email: info-uk@viessmann.com  
**www.viessmann.co.uk**

Copyright Viessmann. Duplication and alternative use only with prior written consent. Subject to technical modifications.