

Solar flow and return line  
Connection line  
Installation kit

---

**Safety instructions**



**Please follow these safety instructions closely to prevent accidents and material losses.**

Installation, initial start-up, inspection, maintenance and repairs must only be carried out by a competent person (heating engineer/installation contractor).

Before working on the equipment/heating system, isolate the power supply (e.g. by removing a separate mains fuse or by means of a mains isolator) and safeguard against unauthorised reconnection.

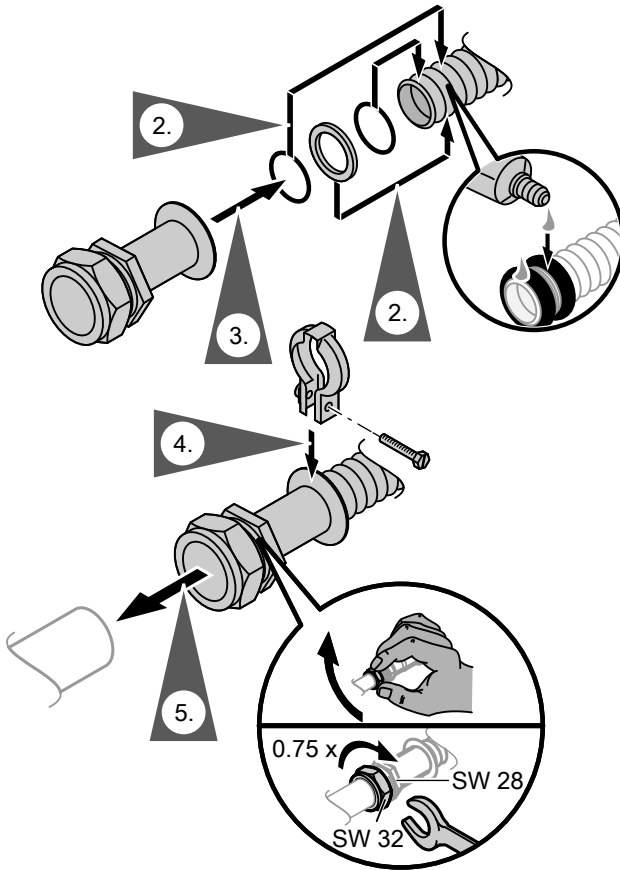
When using gas as fuel, also close the main gas shut-off valve and safeguard against unauthorised reopening.

Repairing components which fulfil a safety function can compromise the safe operation of your heating system. For replacements, use only original spare parts supplied or approved by Viessmann.

## Installation information

- Never kink lines; install them free of stress and with a bending radius of at least 40 mm.
- Extend sensor lead (for solar flow and return lines) with crimps.
- Installation of the locking ring fittings:
  - All pipes must be cut at right angles and deburred.
  - Push the union nut and the locking ring onto the pipe and lightly lubricate the threads with oil.
  - Push the pipe into the locking ring fitting as far as it will go.
  - Initially turn the union nut by hand, then tighten with an open-ended spanner by a further  $\frac{3}{4}$  turn.
  - Never fit annealed copper pipes onto the locking ring fittings.

## Solar flow and return line

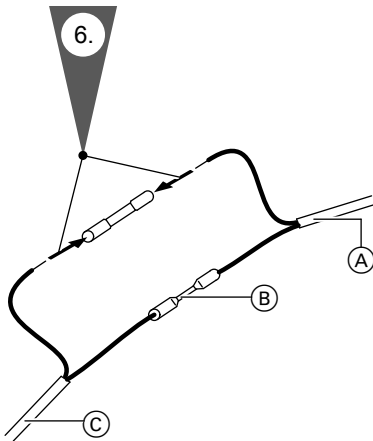


1. Determine the required line lengths. Cut open the thermal insulation and push it back. Apply pipe trimmer in the valley and cut carefully whilst slowly closing in the cutting wheel. Deburr.
2. Fit O-rings in the first and third valley and a support ring in the valley in between. Lubricate O-rings and support ring with special grease. **Never** damage or twist O-rings.
3. Invert the pipe sleeve with locking ring fitting as far as it will go over the pipe; the support ring must not be pushed out of the valley.
4. Secure the profiled clips onto the flared pipe sleeve coupling and the pipe valley.
5. Make the connection to the collector or DHW cylinder via the locking ring fitting.



## Solar flow and return line (cont.)

6.



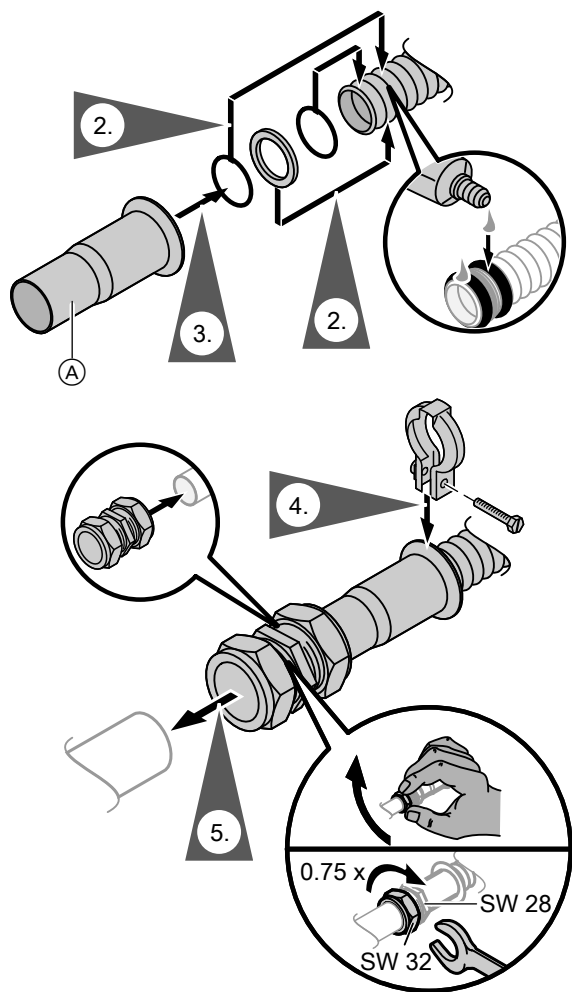
- (A) Sensor lead
- (B) Crimp
- (C) Collector temperature sensor lead

Strip the insulation from the wire ends.

Insert the wire ends into the crimp supplied and push the crimp together. Heat up shrink hose to seal the joint.

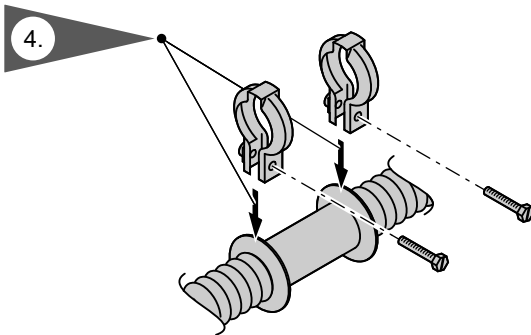
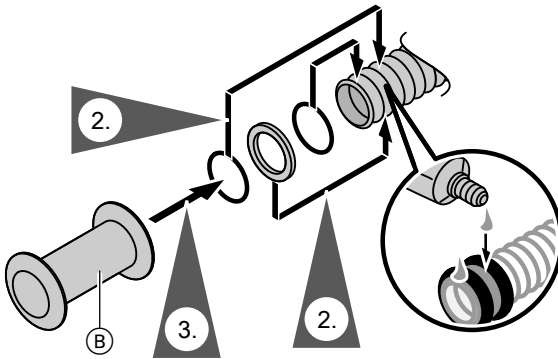
7. Thermally insulate the joints. Secure the thermal insulation with the HT tape supplied.

## Installation and connecting kit for connection line



(A) Pipe sleeve

## Installation and connecting kit for connection... (cont.)



Ⓑ Pipe sleeve to extend the solar lines

1. Determine the required line lengths. Cut open the thermal insulation and push it back. Use pipe trimmer in the valley and cut carefully whilst slowly applying the cutting wheel. Deburr.
2. Fit O-rings in the first and third valley and a support ring in the valley in between. Lubricate O-rings and support ring with special grease. **Never** damage or twist O-rings.
3. Invert the pipe sleeve as far as it will go over the pipe; the support ring must not be pushed out of the valley.
4. Secure the profiled clips onto the flared pipe sleeve coupling and the pipe valley.
5. Make the connection to the collector or DHW cylinder via the locking ring fitting.

## Installation and connecting kit for connection... (cont.)

6. Thermally insulate the joints.

Viessmann Werke GmbH&Co KG  
D-35107 Allendorf  
Telephone: +49 6452 70-0  
Fax: +49 6452 70-2780  
[www.viessmann.com](http://www.viessmann.com)

Viessmann Limited  
Hortonwood 30, Telford  
Shropshire, TF1 7YP, GB  
Telephone: +44 1952 675000  
Fax: +44 1952 675040  
E-mail: [info-uk@viessmann.com](mailto:info-uk@viessmann.com)

5609 905 GB Subject to technical modifications.