

Installation instructions

for contractors

VISSMANN

Replacing the control unit

for the Vitodens 100-W, type WB1B

Safety instructions



Please follow these safety instructions closely to prevent accidents and material losses.

Safety instructions explained



Please note

This symbol warns against the risk of material losses and environmental pollution.

Note

Details identified by the word "Note" contain additional information.

Installation, initial start-up, inspection, maintenance and repairs must only be carried out by a competent person (heating engineer/installation contractor).

Before working on the equipment/heating system, isolate the power supply (e.g. by removing a separate mains fuse or by means of a mains isolator) and safeguard against unauthorised reconnection.

When using gas as fuel, also close the main gas shut-off valve and safeguard against unauthorised reopening.

Repairing components which fulfil a safety function can compromise the safe operation of your heating system. For replacements, use only original spare parts supplied or approved by Viessmann.

Opening the Vitodens



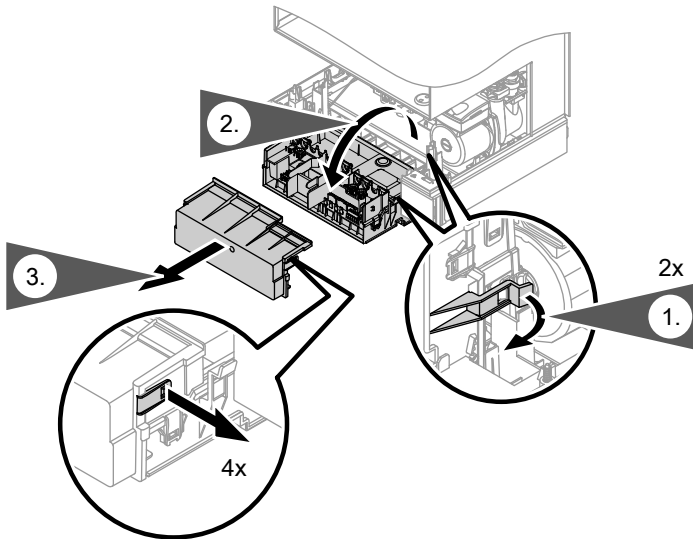
Installation and service instructions

Replacing the control unit



Please note

Electronic modules can be damaged by electrostatic discharges. Touch earthed objects, such as heating or water pipes, to discharge static loads before starting.

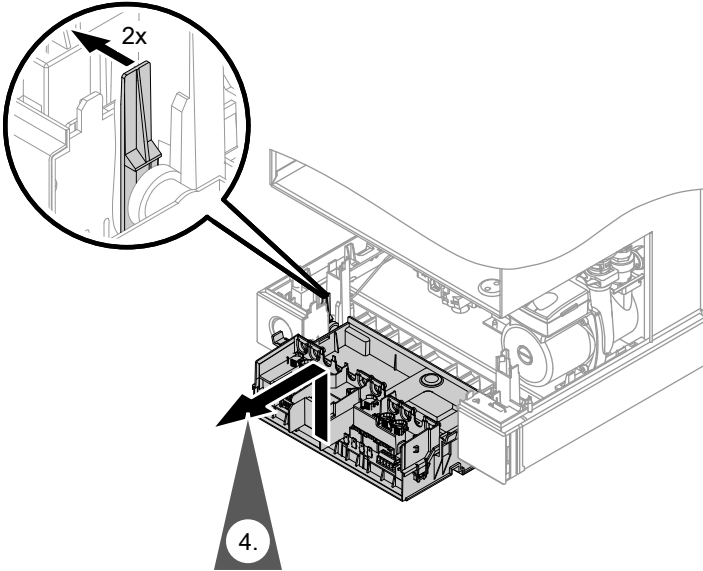


1. Switch OFF the power.

3. Pull all plugs from the control unit.

2. Open the control unit casing.

Replacing the control unit (cont.)

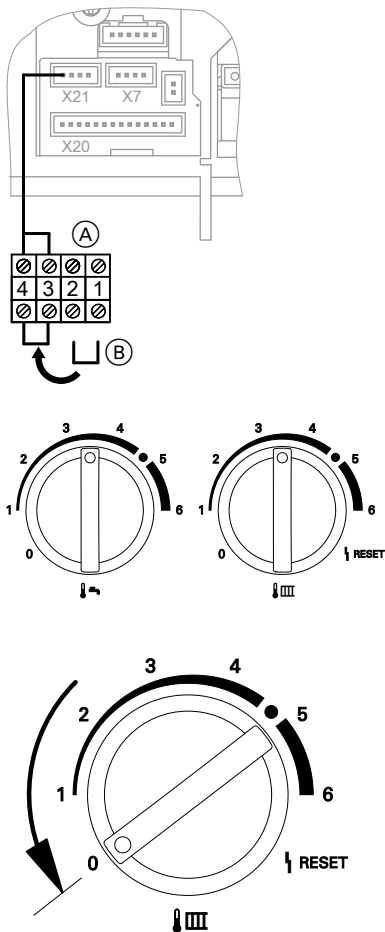


4. Release the locking tabs on the control unit and remove the unit.
5. Insert the new control unit into the control unit support.
6. Connect all plugs to the control unit. **Observe colour coding of the plugs.**
GAS V. 35: Black plug
FAN 100: Red plug

Matching the control unit to the boiler

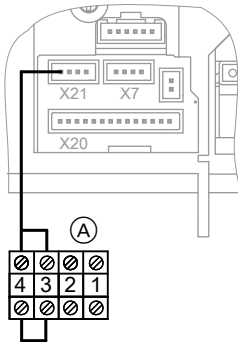
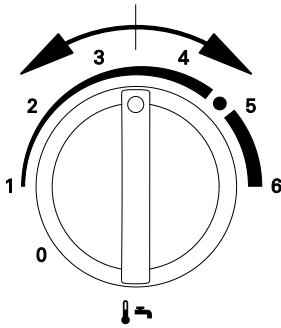
Match the new control unit to the boiler by selecting a set of parameters.

Matching the control unit to the boiler (cont.)



1. Plug lead (A) provided with the new control unit into "X 21".
2. Remove jumper (B) from terminals 1 and 2, and insert into terminals 3 and 4.
3. Turn ON/OFF switch ON.
4. Simultaneously turn rotary selectors "⚡" and "⚡ III" to their central position.
"SERV" appears on the display.
5. Turn rotary selector "III ⚡" anticlockwise within 2 s.
In the display "III" and the value for the selected set of parameters (1 - 12) flash.
6. Select the set of parameters that suits the boiler in accordance with the following table and the serial number (see type plate).

Matching the control unit to the boiler (cont.)



7. Select the correct set of parameters by turning rotary selector "🔥".
8. Wait until the standard display is shown. The selected set of parameters is now saved.
9. Enabling parameter setting:
Switch the control unit ON/OFF switch first OFF and then ON again.
10. Remove new lead (A) from "X 21" again (is no longer required).
11. If a lead was previously connected to "X 21" at the control unit (remote control unit or outside temperature sensor):
Reconnect this lead to "X 21".

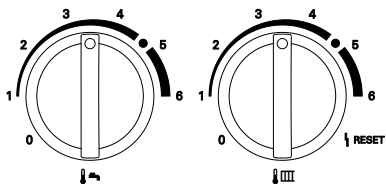
Serial number (Type plate)	Parameter set No.
7373 054	2
7373 055	9
7373 056	6
7373 057	10
7373 058	11
7373 059	12
7373 060	2
7373 061	1

Serial number (Type plate)	Parameter set No.
7373 062	4
7373 063	3
7373 064	6
7373 065	5
7373 066	9
7373 067	10
7373 068	7
7373 069	8

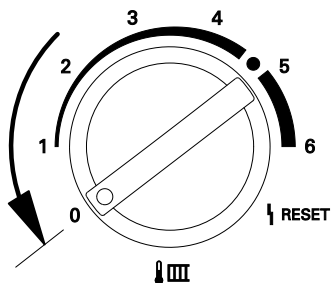
Converting gas type on the control unit

Note

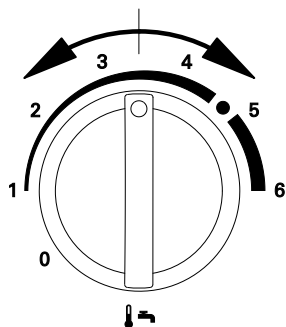
The gas type must only be converted when operating with LPG. In the delivered condition, the control unit is set to operate with natural gas.



1. Simultaneously turn rotary selectors "0" and "1" to their central position. "SERV" appears on the display.



2. Turn rotary selector "1" anticlockwise within 2 s. "1" and the set value flash on the display.

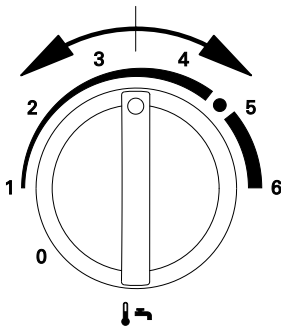
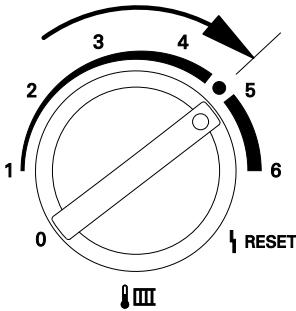
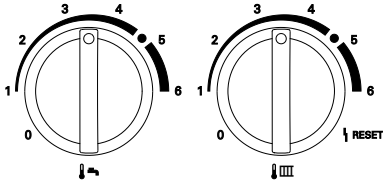


3. Set the control unit to natural gas or LPG by turning the rotary selector "0".
The display shows:
 - "0" for operation with natural gas
or
 - "1" for operation with LPG.
4. Wait until the standard display is shown. The selected gas type is now saved.
5. Enabling parameter setting:
Switch the control unit ON/OFF switch first OFF and then ON again.

Matching the circulation pump to the heating system

Only for gas fired condensing combi boilers:

In the delivered condition, the circulation pump in heating mode is set to stage 1. If necessary to suit the heating system, the circulation pump can be adjusted to stage 2.



1. Turn ON/OFF switch ON.
2. Simultaneously turn rotary selectors "🔥🌡️" and "🌡️🔥" to their central position.
"SERV" appears on the display.
3. Within 2 s turn rotary selector "🔥🌡️" to the top right area.
"🔥🌡️" and the set value flash on the display.
4. Adjust the control unit to stage 1 or 2 by turning rotary selector "🌡️🔥".
The display shows:
 - "1" for operation with stage 1
or
 - "2" for operation with stage 2
5. Do **not** adjust the rotary selectors for 15 s. The set operating mode is then saved and the control unit returns to standard mode.

Closing the control unit and starting the boiler

1. Close the control unit casing and flip up the control unit.
2. Fit the front panel.
3. Start up the boiler and check for correct function.

Viessmann Werke GmbH&Co KG
D-35107 Allendorf
Telephone: +49 6452 70-0
Fax: +49 6452 70-2780
www.viessmann.com

Viessmann Limited
Hortonwood 30, Telford
Shropshire, TF1 7YP, GB
Telephone: +44 1952 675000
Fax: +44 1952 675040
E-mail: info-uk@viessmann.com

5355 239 GB Subject to technical modifications.



Printed on environmentally friendly,
chlorine-free bleached paper