

# Installation Instructions

for use by heating contractor



## Ignition and Ionization Components

Part Number: 7838311 Ignition transformer  
Part Number: 7828878 Ignition cable  
Part Number: 7837685 Ignition cable "54"  
Part Number: 7839170 Ignition electrode  
Part Number: 7839171, 7861491 Ionization electrode

For use with: Vitocrossal 200, CM2 400, 500, 620 and 620 TX

### Safety and Installation Requirements

Please ensure that these instructions are read and understood before starting any service work. Failure to comply with these instructions may cause product/property damage, severe personal injury and/or loss of life.

#### Working on the equipment

The installation, adjustment, service and maintenance of this product must be performed by a licensed professional heating contractor who is qualified and experienced in the installation, service, and maintenance of hot water boilers. There are no user serviceable parts on the boiler, burner or control.

Ensure that main power to the equipment being serviced is off.

Ensure that the main fuel supply valve to the boiler is closed.

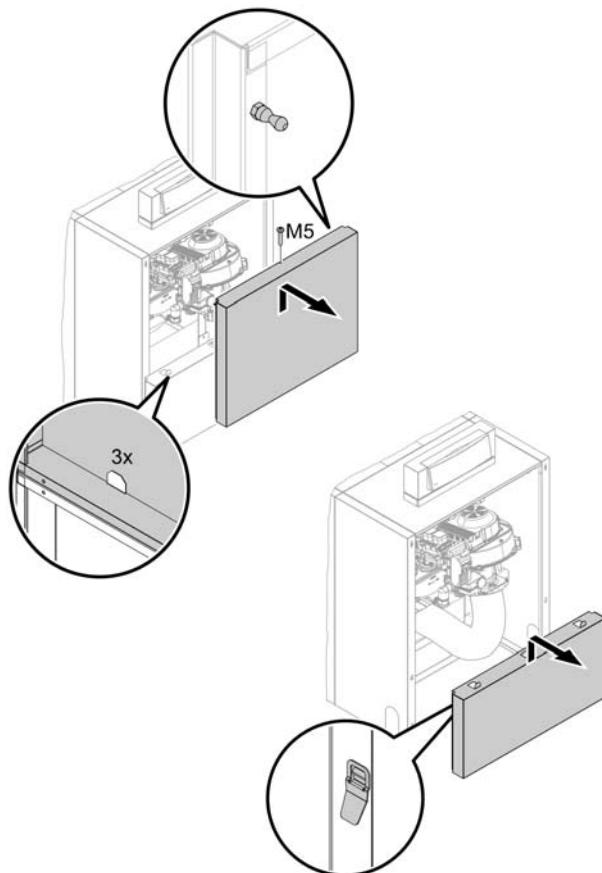
Take precautions to avoid accidental activation of power or fuel during service work.

Do not perform service work on any component part without ensuring safe operation of the heating system. When replacing parts, use original Viessmann or Viessmann approved replacement parts.



Refer to the Installation and Start-up/Service Instructions applicable to this boiler.

### Removing the Front Covers

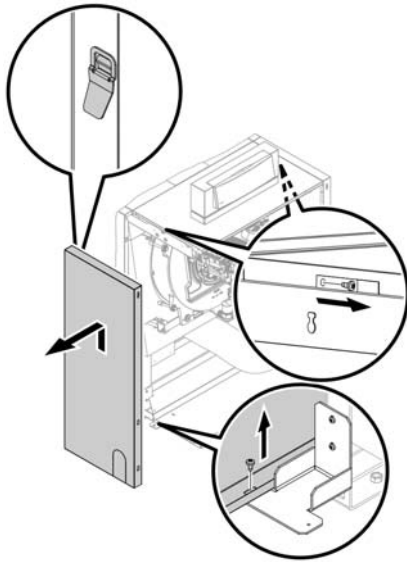


1. Remove the M5 screw and set aside.
2. Pull top of upper front panel forward then lift and remove.
3. Lift and remove the lower front panel.
4. Reinstall front covers when finished in reverse order.  
**Note:** Install side cover prior to installing the front covers.



Refer to the Installation and Service Instructions applicable to this boiler.

## Removing the Side Cover

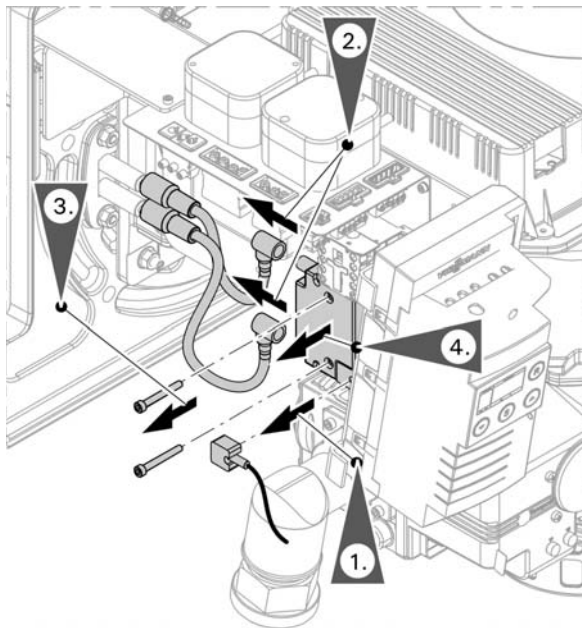


1. Remove the M6 screw (one per panel) on the top rail and bottom support bracket. Then lift up and remove the panel.
2. Reinstall the side cover when finished in reverse order.  
**Note:** Install side cover prior to installing the front covers.



Refer to the Installation and Service Instructions applicable to this boiler.

## Replacing the Ignition Transformer



1. Disconnect power cable from ignition transformer.
2. Remove ignition cables from ignition transformer.
3. Remove screws of ignition unit. Installation torque: 13 lb/in (1.5 Nm).
4. Remove ignition transformer.
5. Reinstall in reverse order.

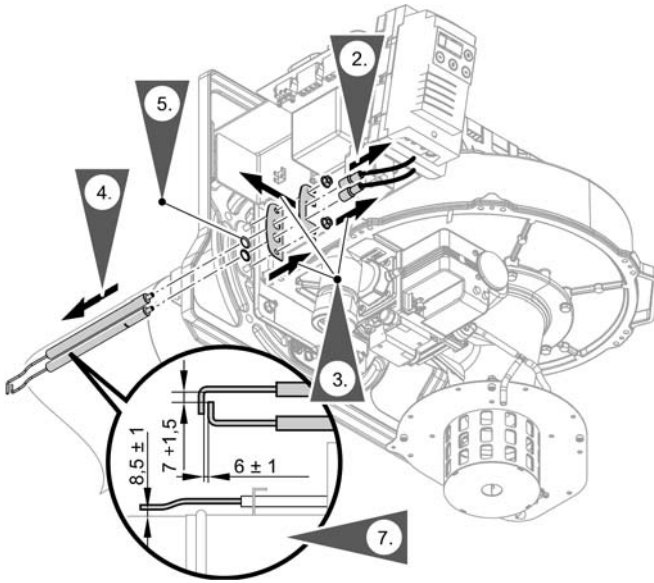


Refer to the Installation and Service Instructions applicable to this boiler.

## Replacing the Ignition Cable

1. Remove ignition cables from ignition transformer.
2. Remove plugs from ignition electrodes.
3. Reinstall in reverse order.

## Replacing the Ignition Electrode

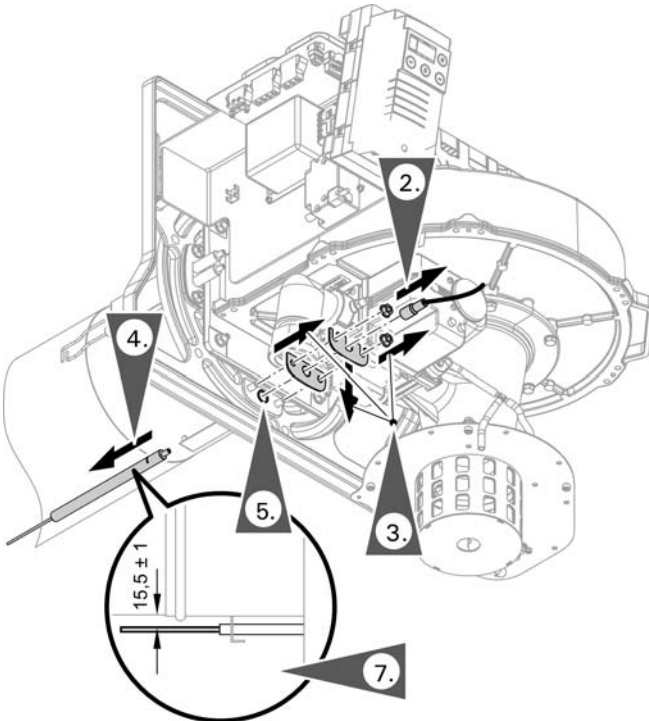


1. Loosen the six bolts and open burner door.
2. Remove plugs from ignition electrodes.
3. Loosen the two nuts from the centering plate to remove centering plate and holding plate.  
Installation torque: 35 lb/in (4 Nm).
4. Remove electrodes completely.
5. Replace O-rings.
6. Reinstall electrodes in reverse order.
7. Check the dimensions and adjust carefully if necessary.



Refer to the Installation and Service Instructions applicable to this boiler.

## Replacing the Ionization Electrode



1. Loosen the six bolts and open burner door.
2. Remove plug from the ionization electrode.
3. Loosen the two nuts from the centering plate to remove centering plate and holding plate.  
Installation torque: 35 lb/in (4 Nm).
4. Remove electrode.
5. Replace O-ring.
6. Reinstall electrode in reverse order.
7. Check the dimensions and adjust carefully if necessary.

Printed on environmentally friendly  
(recycled and recyclable) paper.



Technical information subject to change without notice.

Viessmann Manufacturing Company Inc.  
750 McMurray Road  
Waterloo, Ontario • N2V 2G5 • Canada  
**TechInfo Line 1-888-484-8643**  
1-800-387-7373 • Fax (519) 885-0887  
[www.viessmann.ca](http://www.viessmann.ca) • [info@viessmann.ca](mailto:info@viessmann.ca)

Viessmann Manufacturing Company (U.S.) Inc.  
45 Access Road  
Warwick, Rhode Island • 02886 • USA  
**TechInfo Line 1-888-484-8643**  
1-800-288-0667 • Fax (401) 732-0590  
[www.viessmann-us.com](http://www.viessmann-us.com) • [info@viessmann-us.com](mailto:info@viessmann-us.com)