

Replacing the flow line, heat exchanger and return line

for Vitodens, Vitosolar 200-F, Vitotwin 300-W and Vitovalor 300-P

Safety instructions



Please follow these safety instructions closely to prevent accidents and material losses.

Safety instructions explained



Danger

This symbol warns against the risk of injury.

Note

Details identified by the word "Note" contain additional information.

Installation, initial start-up, inspection, maintenance and repairs must only be carried out by a competent person (heating engineer/installation contractor).

Before working on the equipment/heating system, isolate the power supply (e.g. by removing a separate mains fuse or by means of a mains isolator) and safeguard against unauthorised reconnection.

When using gas as fuel, also close the main gas shut-off valve and safeguard against unauthorised reopening.

Repairing components which fulfil a safety function can compromise the safe operation of your heating system. For replacements, use only original spare parts supplied or approved by Viessmann.

Application information

- Vitodens 100-W
- Vitodens 111-W
- Vitodens 111-F
- Vitodens 200-W
- Vitodens 222-F
- Vitodens 222-W

Application information (cont.)

- Vitodens 242-F
- Vitosolar 200-F
- Vitotwin 300-W
- Vitovalor 300-P

Opening and draining the appliance



Installation and service instructions

Replacing the flow line

Note

Residual water may escape during removal.

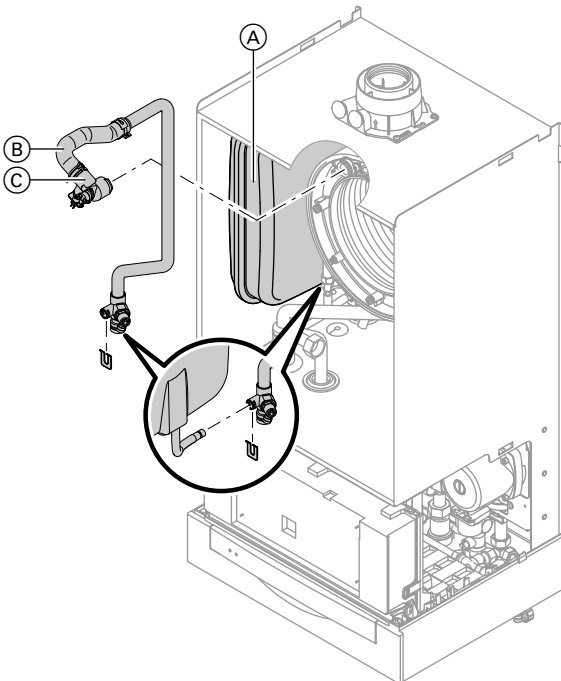


Illustration shows Vitodens 200-W, type WB2B

Replacing the flow line (cont.)

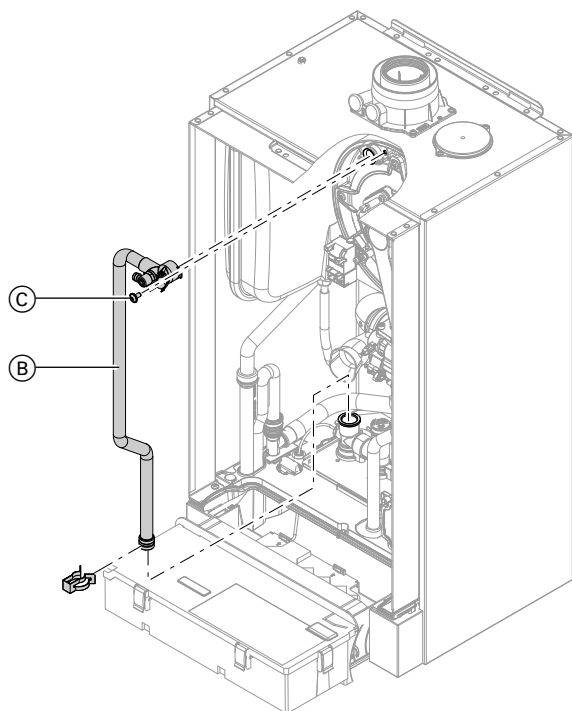


Illustration shows Vitodens 200-W, type B2HB/B2KB



Replacing the flow line (cont.)

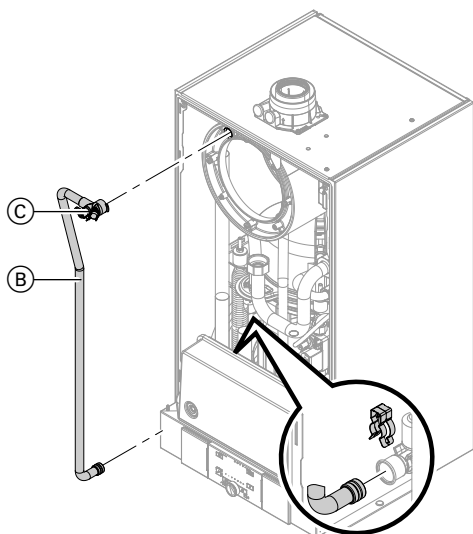


Illustration shows Vitotwin 300-W, type C3HC

1. Disconnect the line to expansion vessel (A) (if installed) from flow line (B).
2. Disconnect the cables from connection elbow (C).
3. Undo the screw and disconnect connection elbow (C) from the heat exchanger.
4. Pull off the spring clip / hose clip and remove flow line (B).
5. Fit flow line (B) with new gaskets. Lubricate gaskets with valve grease.
Torque for fixing screw: 6 Nm
6. Reassemble the boiler in reverse order.
7. Fill the boiler with water, flush and check for leaks.



Installation and service instructions

Replacing the heat exchanger

Note

Residual water may escape during removal.

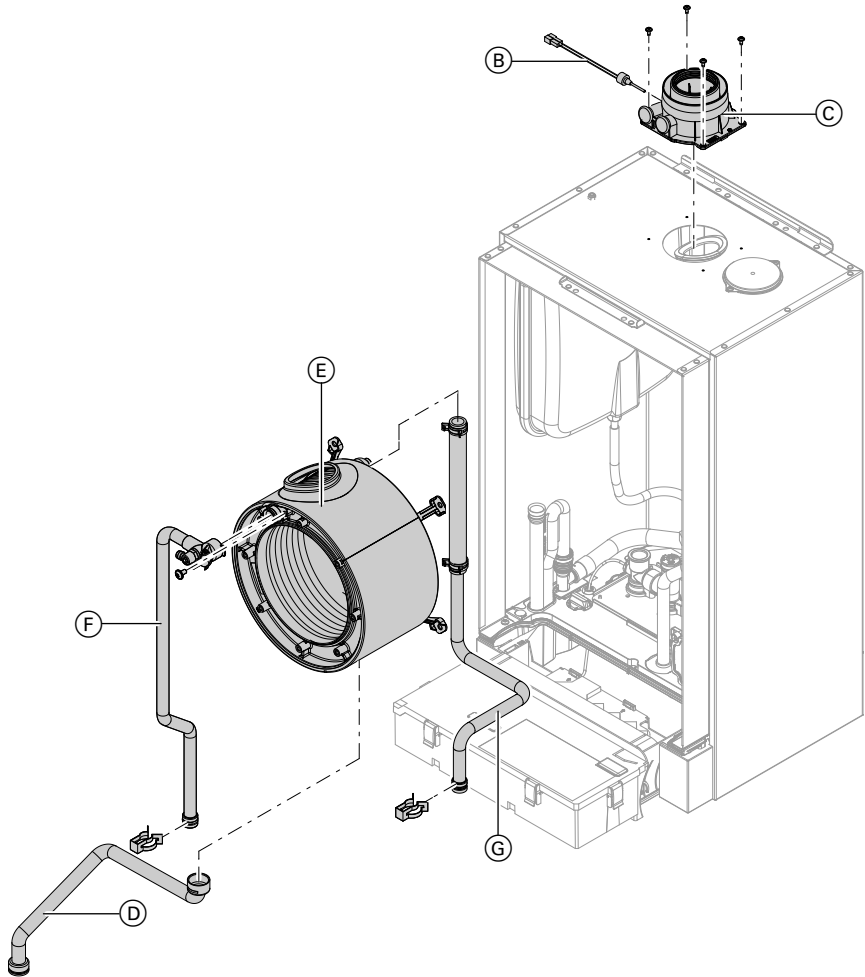


Illustration shows Vitodens 200-W, type B2HB/B2KB



Replacing the heat exchanger (cont.)

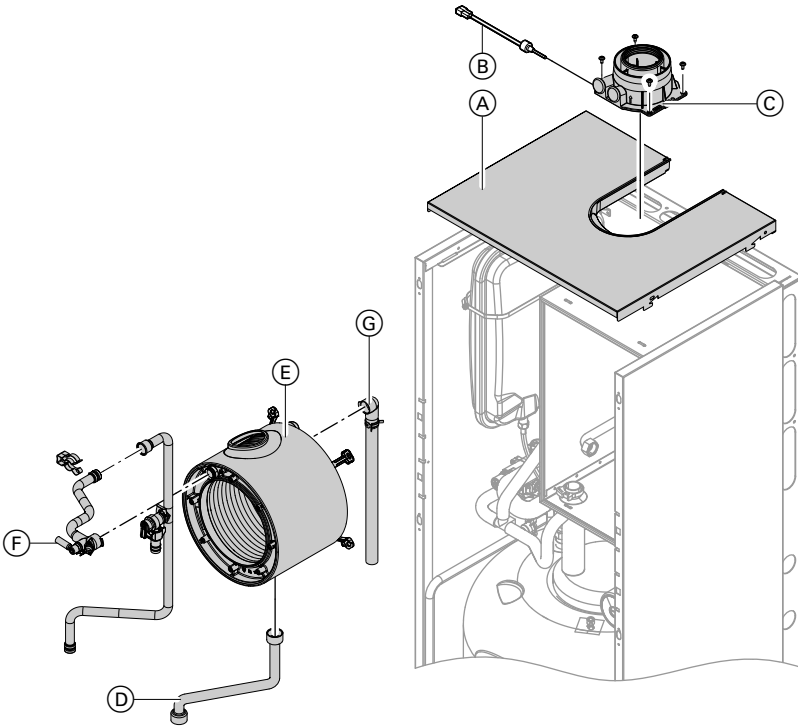


Illustration shows Vitodens 111-F/222-F

Replacing the heat exchanger (cont.)

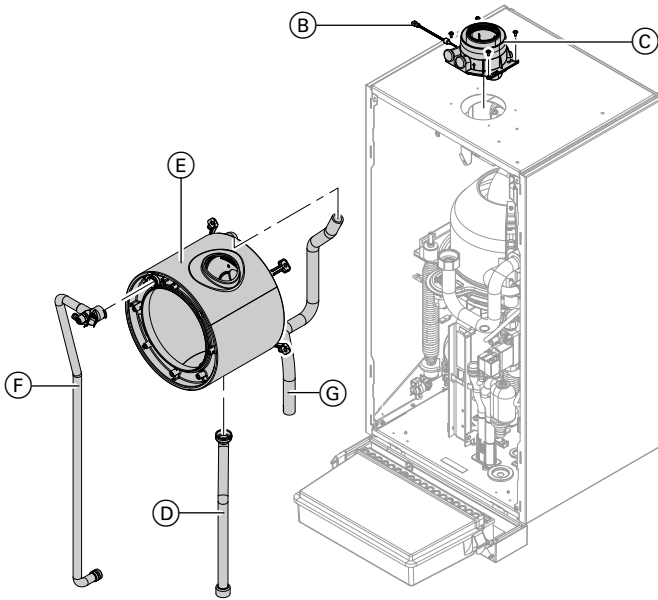


Illustration shows Vitotwin 300-W, type C3HC

1. Remove the burner.



Installation and service instructions

2. Drain the boiler on the heating water side.



Installation and service instructions

3. Remove the balanced flue pipe.

4. If possible: Undo top panel (A) remove towards the front (not with Vitotwin 300-W or Vitodens 200-W, type B2HB/B2KB).

5. Pull flue gas temperature sensor (B) out from boiler flue connection (C).

6. Undo 4 screws and pull out boiler flue connection (C).

7. Release the clip and pull condensate connection (D) from heat exchanger (E).

8. Disconnect cables from flow line (F) and remove flow line (F) (see page 2).

9. Remove return line (G) at a suitable point.




Replacing the heat exchanger (cont.)

10. Undo 3 nuts and remove heat exchanger (E) with return line (G).
11. Undo the screw and remove return line (G) from heat exchanger (E).
12. Push return elbow (G) with return line onto new heat exchanger (E) and secure.
Torque for fixing screw: 6 Nm
13. Fit new heat exchanger (E).
Torque for fixing nuts 5 Nm
14. Reassemble the boiler in reverse order.
Install the burner.

Torque settings:

- Fixing screws for connection elbow (F): 6 Nm
- Fixing screws for burner: 8.5 Nm
- Union nut for gas connection: 30 Nm

 Installation and service instructions

Note

Insert new gaskets on all connections on the gas and water sides.

15. Fill the boiler with water, flush (vent) and check for leaks.



Installation and service instructions



Danger

Escaping gas leads to a risk of explosion.

Check all gas equipment for tightness.



Danger

Flue gas can lead to life threatening poisoning.

Check flue gas components for tightness.

Replacing the return line

Vitodens, Vitosolar 200-F and Vitovalor 300-P

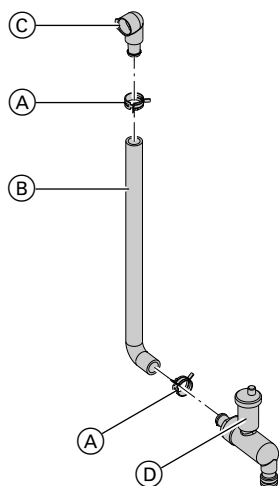
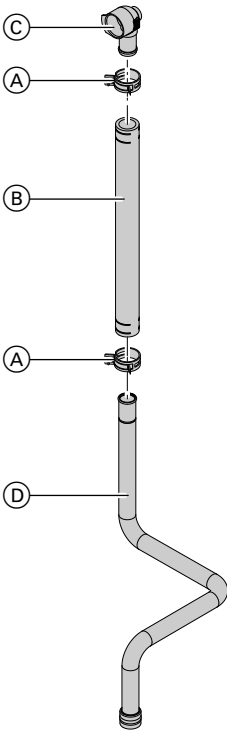


Illustration shows Vitodens

1. Remove the heat exchanger; see page 5.
2. Release clips (A) and replace return line (B).
3. Secure new return line (B) with clips (A) to return elbow (C) and return connection (D).



Replacing the return line (cont.)



Vitodens 200-W, type B2HB/B2KB

4. Reassemble the boiler in reverse order using new gaskets (see page 8).

Replacing the return line (cont.)

Vitotwin 300-W

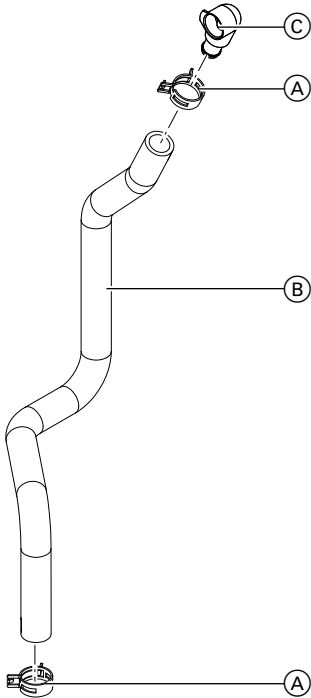


Illustration shows Vitotwin 300-W, type C3HC

1. Remove the heat exchanger; see page 7.
2. Release clips (A) and replace return line (B).
3. Secure new return line (B) with clips (A) to return elbow (C) and return connection.
4. Reassemble the boiler in reverse order using new gaskets (see page 8).



Viessmann Werke GmbH & Co. KG
D-35107 Allendorf
Telephone: +49 6452 70-0
Fax: +49 6452 70-2780
www.viessmann.com

Viessmann Limited
Hortonwood 30, Telford
Shropshire, TF1 7YP, GB
Telephone: +44 1952 675000
Fax: +44 1952 675040
E-mail: info-uk@viessmann.com

5782 586 GB Subject to technical modifications.