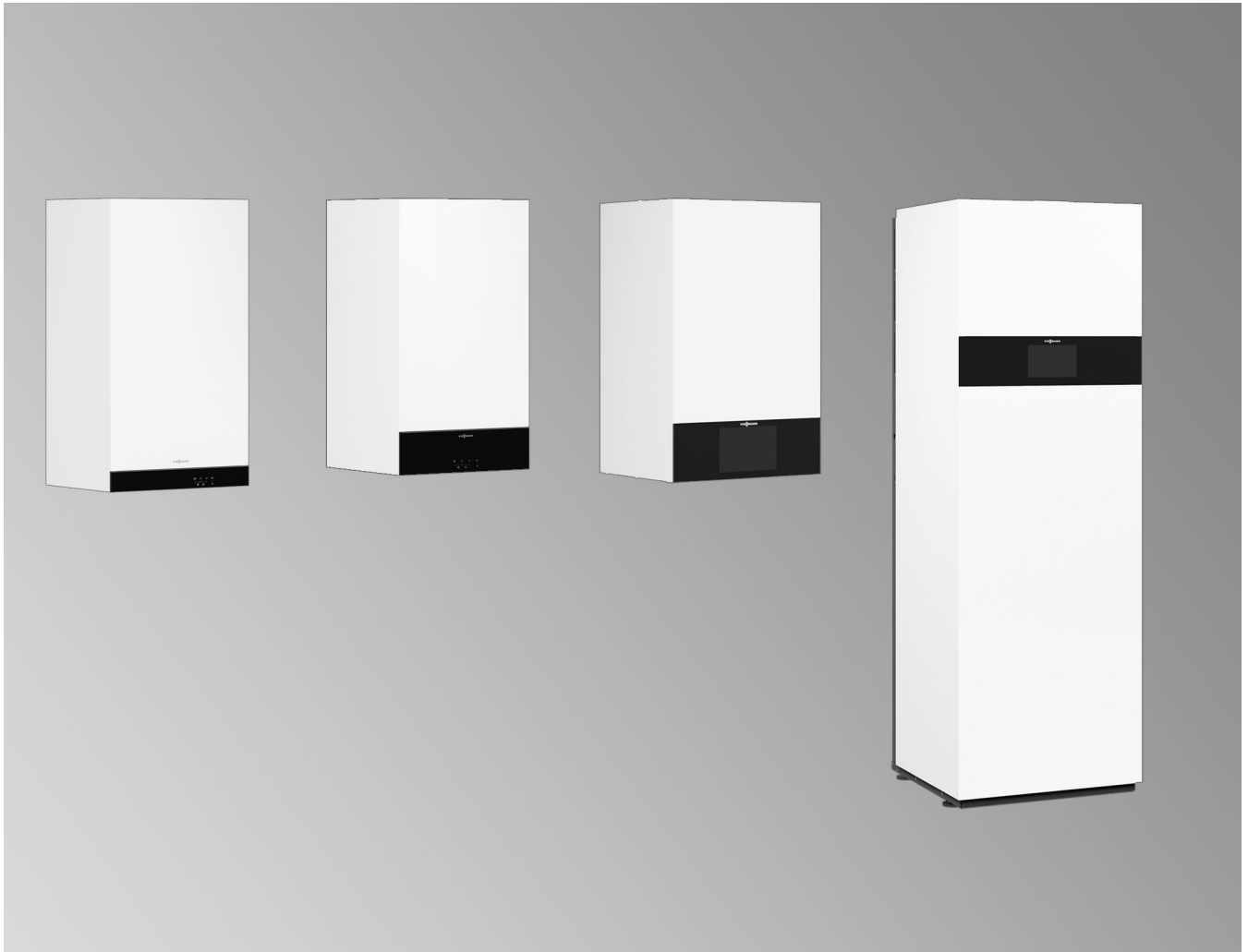


Technical guide



Vitodens flue systems

Index

1. Flue systems		
1. 1	Flue systems	4
	■ System certification	4
1. 2	Room sealed operation	4
	■ Use of third party flue systems of type C ₆₃ /C _{63x}	5
1. 3	Use of third party flue systems of type C ₍₁₀₎₃ /C _{(10)3x}	5
1. 4	Open flue operation	5
1. 5	Flue gas high limit safety cut-out	6
1. 6	Lightning protection	6
1. 7	CE designation for PPs flue systems (rigid and flexible) for the Vitodens	7
1. 8	Replacement of existing systems with type C ₄ gas appliances to EN 483 and EN 677 with additional requirements to DVGW G 635:2001 (positive pressure operation)	9
	■ Fig. 1	9
	■ Fig. 2	9
1. 9	Flue system installation options for room sealed operation	9
	■ Inside occupied rooms (living space) with one or more full storeys above	10
	■ In occupied rooms (living space) immediately below the roof or with only the roof space above	11
	■ In the installation room, with ventilation air supplied through the external wall	11
	■ Several Vitodens in the living space or in living spaces	12
1.10	Flue system installation options for open flue operation	12
	■ In the installation room (non-living space) with one or more full floors above	12
	■ Special version: Open flue operation and installation location in the living space with combustion air supply via interconnected rooms (rated heating output ≤ 35 kW)	13
	■ Flue gas header for several Vitodens 050-W, 100-W, 111-W, 111-F, 200-W, 222-W, 222-F, 242-F (appliance types not available in all countries) – positive pressure	13
	■ Flue gas collector for several Vitodens – negative pressure	14
2. Design and sizing information for connection on the flue gas side		
2. 1	Boiler allocation — flue gas/ventilation air pipe size	14
2. 2	Installing flue pipes	14
	■ Installation and position of inspection ports	15
2. 3	Plastic (PPs) balanced flue system for routing in a shaft – for room sealed operation (type C _{93x} to CEN/TR 1749)	15
	■ Internal shaft dimensions to DIN V 18160	15
	■ Flue, system size 60, 80 and 110 (components) (type C _{93x} to CEN/TR 1749)	17
	■ Vitodens in conjunction with solid fuel boilers	18
	■ Flue, flexible, system size 60, 80 and 110 (components) (type C _{93x} according to CEN/TR 1749)	20
2. 4	Plastic (PPs) balanced flue system for vertical roof outlets through a pitched or flat roof (type C _{33x} to CEN/TR 1749)	21
	■ For vertical roof outlets when the Vitodens is installed in attics	21
	■ Vertical flat roof outlet	21
2. 5	Plastic (PPs) balanced flue system for external wall connection (type C _{13x} to CEN/TR 1749)	23
	■ Max. total flue length	23
2. 6	Plastic (PPs) balanced flue system for separate ventilation air and flue gas routing (type C _{93x} to CEN/TR 1749)	24
2. 7	Plastic (PPs) balanced flue system for routing over external walls (type C _{53x} to CEN/TR 1749)	25
2. 8	Plastic (PPs) balanced flue system for routing through a lightweight shaft	27
	■ "UNIFIX" shaft profiles from Skoberne (made from aerated concrete)	27
	■ "SKOBIFIXnano" and "SKOBIFIXs 30" shaft elements from Skoberne (made from foamed ceramics)	28
	■ Anchoring of the roof outlet in shaft profiles	28
	■ Shaft profiles from Promat	28
	■ Roof outlet for shafts with Promat profiles	29
2. 9	Plastic (PPs) flue gas/ventilation air system for routing multiple pipes through a shaft	29
	■ Layout examples	30
2.10	Plastic (PPs) balanced flue system (connection line) for multiple connection of flues to a single balanced flue system	30
	■	31
2.11	Third party flue systems for multiple connection, type C ₍₁₀₎	36
2.12	Plastic (PPs) flue pipe for routing through a shaft – open flue operation (type B according to CEN/TR 1749)	36
	■ Internal shaft dimensions	37

	<ul style="list-style-type: none"> ■ Flue, system size 60, 80 and 110 (components) (type B₂₃ /B₃₃ to CEN/TR 1749) .. 38 ■ Flexible flue, system size 60, 80 and 110 (components) (type B₂₃ according to CEN/TR 1749) 39 ■ Special version: Open flue operation with combustion air supply via interconnected rooms for Vitodens up to 32 kW (type B₃₃ to CEN/TR 1749) 40 ■ Connection to a moisture-resistant chimney (MR chimney negative pressure) with a plastic (PPs) flue pipe (type B_{23x}, to CEN/TR 1749) 41 ■ Multi boiler systems with pressurised flue systems (open flue operation) 42 ■ Multi boiler systems with flue systems under negative pressure 48
3. Individual parts for flue systems	<ul style="list-style-type: none"> 3. 1 Balanced flue system components 48 3. 2 Components for routing a flue over an external wall 53 <ul style="list-style-type: none"> ■ External wall components for multiple connections 55 3. 3 Single pipe system components 55 3. 4 Components for multiple connection of a balanced flue system – positive pressure for Vitodens 100-W, 111-W, 200-W, 222-W, 222-F and 242-F, 11 to 32 kW 59 3. 5 Components of the flexible single pipe system for flexible flues 60 3. 6 Components for multi boiler systems 62 <ul style="list-style-type: none"> ■ Flue gas collector 62 3. 7 Roof elements 63
4. Keyword index 64

1.1 Flue systems

The following requirements regarding design and installation apply to flue systems for condensing combustion equipment:

Prior to starting work on the flue system, your heating contractor should confer with the responsible flue gas inspector [where applicable].

Gas combustion equipment must be connected to the domestic chimney on the same floor that it is installed on (no transition through separating ceilings).

Here, differentiation is required as to whether the condensing boiler should be installed in the **living space** (occupied rooms) or in the **non-living space** (installation room).

Siting the Vitodens in the **living space** is feasible, provided that the section of the flue pipe that is routed within occupied space is routed inside a protective pipe and is surrounded by air (balanced flue system, **room sealed** operation).

As a special case, installation in the living space is also feasible for **open flue** operation, provided a connection piece with secondary ventilation up to the shaft (operation with interconnected room air supply) is provided (see page 40).

System certification

Note

Appliance types not available in all countries

System certification to Gas Appliances Regulation 2016/426/EU in conjunction with PPs flues from Skoberne

Vitodens 050-W	CE-0063DL3422
Vitodens 100-W	CE-0085DL0217
Vitodens 111-W	CE-0085DL0217
Vitodens 200-W	CE-0085CT0017
Vitodens 222-F	CE-0085CT0017
Vitodens 222-W	CE-0085CT0017
Vitodens 242-F	CE-0085CT0017

The aforementioned conditions are generally met with the flue systems (accessories) that are CE designated together with the Vitodens.

The following Viessmann balanced flue systems for **room sealed** operation are tested to DVGW and CE designated with the Vitodens:

- Vertical roof outlet
- External wall connection
- Horizontal roof outlet
- External routing through a coaxial pipe

Benefits:

- No calculated performance verification for flues to EN 13384 is required in individual cases
- Simplified visual inspection by the local flue gas inspector every 2 years
- No additional approval certificate by the flue pipe manufacturer is required

In **non-living space**, the flue in the installation room may also be routed without secondary ventilation. However, in that case the installation room would require an adequately sized ventilation air aperture to the outside (according to TRGI).

Rated heating output up to 50 kW:

150 cm² or 2 × 75 cm²

Rated heating output above 50 kW (e.g. Vitodens 200-W from 60 kW or multi boiler system):

150 cm² plus 2 cm² for every kW above 50 kW

- Ⓐ The country-specific regulations (which may include the TR Gas and ÖVGW guidelines) apply to the installation of this appliance.

The plain flue pipe must be type approved by the Deutsches Institut für Bautechnik (DIBT) [Germany] (**open flue** operation).

The flue available as an accessory is CE designated and approved in accordance with EN 14471.

1.2 Room sealed operation

The sealed combustion chamber of Vitodens gas condensing boilers enables their use in **room sealed** operation. These boilers are categorised as equipment type C_{13x}, C_{33x}, C_{43x}, C_{53x}, C_{63x}, C_{83x}, C_{93x} or C_{14(3)x} according to CEN/TR 1749 ("x" applies only to DE).

A **joint approval** for the Vitodens appliances and Skoberne balanced flue system applies to this type of equipment (except for C_{63x}).

The joint approval/system certification means that a calculated verification is not required if the actual flue pipe lengths are within the specifications of this technical guide. However both deviations and flue accessories from other manufacturers are permitted based on the C6 type approval. For such systems, a calculated verification must be carried out to EN 13384 by the installer of the vertical flue system.

The leak test (overpressure test) by the flue gas inspector during commissioning as well as the verification of the "General Building Regulations approval" by the DIBt may be omitted for this type of equipment.

The combustion air is supplied and the flue gas extracted through one coaxial pipe (balanced flue system). The combustion air is supplied through the annular gap between the external aluminium ventilation air pipe and the flue. Flue gases are extracted through the internal plastic pipe (PPs).

For balanced flue systems tested together with the wall mounted gas boiler, there is no requirement for a leak test (positive pressure test) during commissioning by the flue gas inspector.

In this case, we recommend that the heating contractor carries out a simple leak test when commissioning the system. For this it would be sufficient to check the CO₂ concentration in the combustion air at the annular gap of the balanced flue pipe. The flue pipe is deemed to be gas-tight if the CO₂ concentration in the combustion air is no higher than 0.2 % or the O₂ concentration is at least 20.6 %.

If higher CO₂ or lower O₂ values are established, check the flue system for leaks by pressure testing.

The flue should be designed as short and straight as possible.

If bends are unavoidable, do not install them directly one after another. It must be possible to test and clean the entire flue gas path as required.

In accordance with the FeuVo [check local fire regulations], two ventilation air apertures leading directly outside are required in the installation room for total rated heating outputs of 100 kW and above. These apertures must have an unobstructed cross-section of at least 150 cm² plus 1 cm² for every kW above 100 kW. This also applies to equipment types that have been tested for leaks (...x). In conjunction with the coaxial pipe (balanced flue system), the surface temperature of the Vitodens and that of the balanced flue system do not exceed 85 °C at any point. Therefore, clearances to combustible components according to TRGI are **not** required.

Install the connection pipes (horizontal routing) with a fall of at least 3° (approx. 50 mm/m) to the boiler. In addition, we recommend using fixing clamps spaced about 1 m apart to support/suspend the connection line.

Flue systems (cont.)

The balanced flue system is CE designated and approved in accordance with EN 14471: See page 7.

The boiler casing creates a system that is sealed against its surroundings. Any leaks caused by escaping flue gas are returned via the combustion air, thereby preventing flue gas from entering the living space.

When siting the Vitodens in a cellar or basement, an existing chimney or shaft of adequate size may be used for routing the balanced flue (type C_{14(3)x} and C_{93x}).

According to CEN/TR 1749, flues that bridge several floors must be routed inside a shaft with a fire rating of at least 90 minutes, and for buildings in categories 1 and 2, a fire rating of at least 30 minutes.

Use of third party flue systems of type C₆₃/C_{63x}

Any approved flue system can be used for type C₆₃/C_{63x}. A system test of these flue systems with Viessmann heat generators has not been carried out, so there is no system certification in accordance with Gas Appliances Regulation (EU) 2016/426.

When implementing type C₆₃/C_{63x} with Viessmann heat generators, the following specifications must be observed and complied with:

- Viessmann design specifications for types C_{13x}, C_{14(3)x}, C_{33x}, C_{53x}, C_{83x} and C_{93x}
- Appliance-specific details of Viessmann heat generators, e.g. max. draughts, flue gas temperatures, mass flow rates, boiler flue connection tolerances
- Reverse flow of flue gas at the terminal of the flue system, even when it is windy: ≤ 10 %
- Wind protection devices for the supply of combustion air and the discharge of flue gas must not be installed on opposite walls of the building.

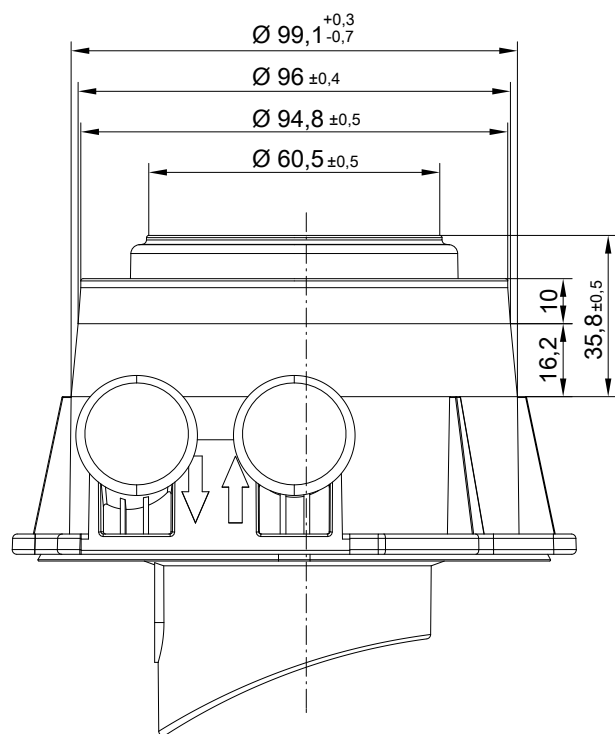
Flue pipes

- Flues made from plastic (PPS):
Measures inside the equipment ensure that the flue gas temperature of 120 °C will never be exceeded. Flues made from plastic (PPS) with an approval for flue gas temperatures up to a maximum of 120 °C (type B) can therefore be used.
- Flues made from aluminium:
Aluminium residues in the condensate can impair the function of the heat generator. A condensate trap must therefore be additionally installed above the boiler flue connection. The condensate trap must allow the condensate returned from the flue system to completely bypass the heat generator.

The flue gas/ventilation air is routed in a balanced flue pipe up to the chimney or shaft. The flue is then routed inside the chimney or shaft to above the roof.

Where no suitable shaft is available, the flue may be routed to the roof through a retrofitted shaft. For this shaft, a test certificate from the building inspectorate or a CE designation corresponding to the design of the shaft is required. In addition, the shaft must have a fire rating of L30 or L90.

Dimensions of boiler flue gas connection



1.3 Use of third party flue systems of type C₍₁₀₎₃/C_{(10)3x}

Any approved flue system can be used for type C₍₁₀₎₃/C_{(10)3x}. A system test of these flue systems with Viessmann heat generators has not been carried out, so there is no system certification in accordance with Gas Appliances Regulation (EU) 2016/426.

Note

When implementing type C₍₁₀₎₃/C_{(10)3x} with Viessmann heat generators, the following must be observed and complied with: 2 back draught safety devices are required, for installation in the Vitodens and in the flue system.

With the Vitodens 100-W, one back draught safety device is already installed in the boiler. A further back draught safety device must be installed in the flue system.

The back draught safety devices must be added to the order for every boiler.

1.4 Open flue operation

(Type B₂₃ and B₃₃)

Flue gas is routed through single wall plastic flue pipes (PPs). The flue system is CE designated and approved in accordance with EN 14471: See page 7.

The combustion air is supplied via the annular gap between the flue pipe and the ventilation air connection on the boiler flue connection of the Vitodens.

Install the connection pipes (horizontal routing) with a fall of at least 3° (approx. 50 mm/m) to the boiler. In addition, we recommend using fixing clamps spaced about 1 m apart to support/suspend the connection line.

Flue systems (cont.)

The connection piece to the chimney should be as short as possible. Therefore position the Vitodens as close to the chimney as possible. The flue pipe should be designed to be as straight as possible. If bends are unavoidable, do not install them directly one after another. It must be possible to test and clean the entire flue gas path as required.

In accordance with the FeuVo [check local fire regulations], either one ventilation air aperture leading to the outside with an unobstructed cross-section of at least 150 cm² or alternatively two apertures each with an unobstructed cross-section of 75 cm², are required in the installation room. In accordance with the FeuVo [check local fire regulations], two ventilation air apertures leading directly outside are required in the same wall of the installation room for total rated heating outputs of 100 kW and above. These apertures must have an unobstructed cross-section of at least 150 cm² plus 1 cm² for every kW above 100 kW.

Note

Also applicable to room sealed operation.

No special protective measures or clearances towards combustible objects, such as furniture, packaging or similar, need to be taken/observed. The surface temperatures of the Vitodens and the flue system do not exceed 85 °C at any point.

1.5 Flue gas high limit safety cut-out

According to CE designation to EN 14471 the plastic flue pipe (PPs) can be used for flue gas temperatures of up to 120 °C max. (type B). Measures inside the equipment ensure that the flue gas temperature of 110 °C will never be exceeded.

A flue gas high limit safety cut-out is therefore not required.

1.6 Lightning protection

If a lightning protection system is installed, any metallic flue system should be included in the lightning protection scheme.

1.7 CE designation for PPs flue systems (rigid and flexible) for the Vitodens

ZERTIFIKAT ◆ CERTIFICATE ◆ 認証証書 ◆ CERTIFICADO ◆ CERTIFICAT

Notifizierte Stelle
Nr. 0036



Industrie Service

**Zertifikat der Konformität
der werkseigenen Produktionskontrolle**

0036 CPR 9184 001
Revision 07

Gemäß der Verordnung (EU) Nr. 305/2011 des Europäischen Parlaments und des Rates vom 9. März 2011 (Bauproduktenverordnung - CPR) gilt dieses Zertifikat für das Bauprodukt

**System-Abgasanlage mit einer Innenschale aus starren
und flexiblen Rohren und –Formstücken aus PP
Ausführungen**

Ohne Außenschale, starr	EN 14471	T120 H1 W 2 O20 XXX
Kunststoff- Außenschale, starr	EN 14471	T120 H1 W2 O00 LI E U1
Metall. Außenschale, starr	EN 14471	T120 H1 W2 O00 LE E U0
Mineral. Außenschale, flexibel	EN 14471	T120 H1 W2 O00 LE E U0

Für Details der Kennzeichnung siehe Seite 2 des Zertifikates

hergestellt von

Skoberne GmbH
Ostendstraße 1
64319 Pfungstadt

im Herstellwerk

Werk 1 Werk 2 Werk 3 Werk 4 Werk 5

Dieses Zertifikat bescheinigt, dass alle Vorschriften über die Bewertung und Überprüfung der Leistungsbeständigkeit beschrieben im Anhang ZA der harmonisierten Norm

EN 14471:2013 + A1:2015

entsprechend System 2+ angewendet werden und dass die werkseigene Produktionskontrolle alle darin vorgeschriebenen Anforderungen erfüllt.

Die Feststellung des Produkt-Typs anhand einer Typprüfung ist dokumentiert im Bericht: TÜV SÜD Industrie Service GmbH, A 1614-00/06, A 1614-02/09, A 1614-03/09, A 1614-04/09, A 1614-05/10, A 1614-06/10, A 1614-07/10, A 1614-09/12 und A 1614-14/16.

Dieses Zertifikat wurde erstmals am 2007-02-27 ausgestellt und bleibt gültig, solange sich die in der harmonisierten Norm genannten Prüfverfahren und/oder Anforderungen der werkseigenen Produktionskontrolle zur Bewertung der Leistung der erklärten Merkmale nicht ändern und das Produkt und die Herstellbedingungen im Werk nicht wesentlich geändert werden.

München, 2016-06-10

Johannes Steiglechner
Leiter Zertifizierungsstelle Bauprodukte (EG)

TÜV SÜD INDUSTRIE SERVICE GMBH, WESTENDSTRASSE 199, 80686 MÜNCHEN



Notifizierte Stelle
Nr. 0036

Seite 2 des Zertifikates Nr.

0036 CPR 9184 001
Rev. 07



Industrie Service

Systemabgasanlage mit einer Innenschale aus starren und flexiblen Rohren und Formstücken aus PP	EN 14471
ohne Außenschale	
DN 80 - DN 110, schwarz	T120 H1 W2 O20 LE E U
DN 60 - DN 250, weiß, grau	T120 H1 W2 O20 LI E U
starr, mit Kunststoffaußenschale ≤ DN 80, weiß	T120 H1 W2 O00 LI E U1
starr, mit metallischer Außenschale ≤ DN 250 weiß, grau, schwarz	T120 H1 W2 O00 LE E U0
flexibles Rohr mit mineralischem Schacht DN 60 - DN 110	T120 H1 W2 O00 LE E U0

TÜV SÜD INDUSTRIE SERVICE GMBH, WESTENDSTRASSE 199, 80686 MÜNCHEN

1.8 Replacement of existing systems with type C₄ gas appliances to EN 483 and EN 677 with additional requirements to DVGW G 635:2001 (positive pressure operation)

Existing appliances from systems with type C₄ gas appliances can be replaced with type C_{(10)3x} Vitodens 100-W, 111-W, 111-F, 200-W, 222-W, 222-F and 242-F appliances if the following conditions are met:

The maximum rated heat input is less than or equal to the rated heat input of the existing gas appliance.

The combustion-related sizing of the flue system is carried out based on EN 13384-2+A1.

The flue gas temperature for sizing the balanced flue system to EN 13384-2 for partial and full load (minimum and maximum heat input) is set to 25 °C.

The balanced flue system must be designated in accordance with DIN V 18160-1 and in a manner comparable with the requirements of EN 15287-2:2008, section 4.4.

It must also be indicated that the appliance in question is a type C_{(10)3x} appliance – see Fig. 1 as an example of a balanced flue system with concentric air/flue gas routing. In addition to the designation for the flue system, a further plate must be affixed for each flue inlet (as shown in Fig. 2).

Fig. 1

Example of a plate for designating balanced flue systems with concentric air/flue gas routing to EN 15287-2:2008

Warning —Do not cover or remove this plate	
Flue system with concentric air/flue gas routing	
Flue system designation:	NSB EN 15287-2 T160 - P1 - W - 1 - O00
Nominal cross-section of flue shaft:	80 mm
Thermal resistance of flue shaft:	0.00 m ² K/W
Flow resistance of flue shaft:	—
External dimension of air shaft:	(120 · 120) mm ²
External thermal resistance of air shaft:	0.12 m ² K/W
Flow resistance of air shaft:	—
Installer/address/tel.:	_____
Date of installation:	_____
Additional details	
L Position of flue system:	

Fig. 2

Example of a plate for designating flue inlets on balanced flue systems for gas appliances of type C₍₁₀₎/C_{(10)_x}

Manufacturer:	Sample company
Only suitable for:	C ₍₁₀₎ /C _{(10)_x} appliances
Maximum permissible mass flow rate:	15 g/s
Maximum permissible heat input:	35 kW
Temperature class:	T120

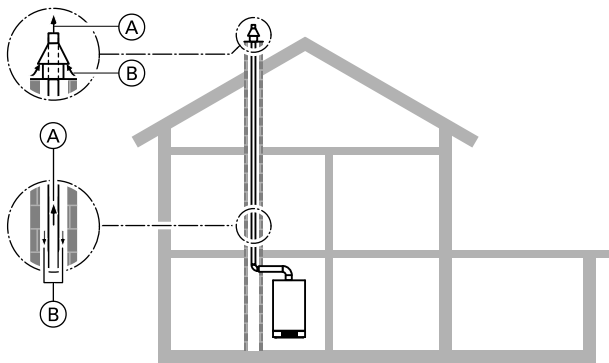
Caution: When removing the appliance, the openings of the combustion gas outlet and the air supply must be closed off separately.

1.9 Flue system installation options for room sealed operation

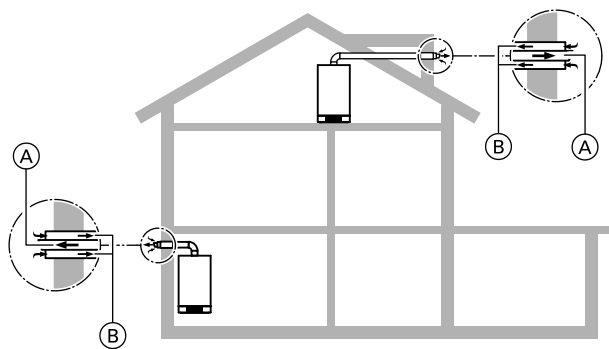
In accordance with the FeuVo [check local fire regulations], either one ventilation air aperture leading to the outside with an unobstructed cross-section of at least 150 cm² or alternatively two apertures each with an unobstructed cross-section of 75 cm², are required in the installation room. In accordance with the FeuVo [check local fire regulations], two ventilation air apertures leading directly outside are required in the same wall of the installation room for total rated heating outputs of 100 kW and above. These apertures must have an unobstructed cross-section of at least 150 cm² plus 1 cm² for every kW above 100 kW.

No special protective measures or clearances towards combustible objects, such as furniture, packaging or similar, need to be taken/observed. The surface temperatures of the Vitodens and the flue system do not exceed 85 °C at any point.

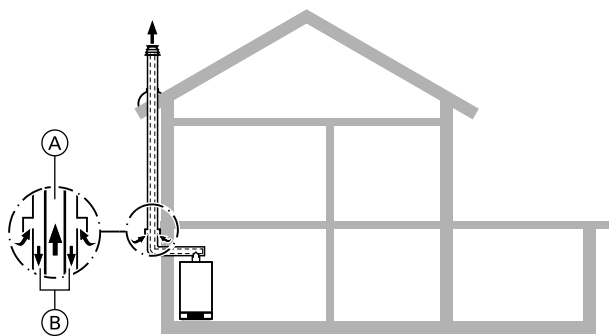
Inside occupied rooms (living space) with one or more full storeys above



- (A) Flue gas
- (B) Ventilation air



- (A) Flue gas
- (B) Ventilation air



- (A) Flue gas
- (B) Ventilation air

Routing through a shaft (type C_{93x1} to CEN/TR 1749)

The boiler draws combustion air from the outside through the annular gap inside the shaft (chimney) and expels the flue gas via the flue pipe to above the roof. For gas condensing boilers > 50 kW the installation room **must** be ventilated even with **room sealed** operation. The shaft is not part of the standard delivery. For a detailed description, see page 15 onwards.

Retrofitted shafts

Installation in a retrofitted shaft approved by the building inspectorate [Germany] consisting of individual shaft elements (e.g. as supplied by SIMO, Wienerberger or Skoberne) or including mineral profiles (e.g. from PROMATECT). For a detailed description of the shafts, see page 27.

External wall connection

Only for existing flues with exemption rights (Type C_{13x1} to CEN/TR 1749)

Permissible up to a rated heating output of 11 kW for central heating or 28 kW for DHW heating.

In accordance with the FeuVo, issue 1999 [check local fire regulations], an external wall connection is only permissible in individual cases where flue gas routing by other means is not appropriate for technical or economic reasons.

The heat generator draws combustion air from the outside via a coaxial pipe in the external wall and expels flue gas to the outside through the external wall. For a detailed description, see page 23.

Horizontal roof outlet

(Type C_{13x1} to CEN/TR 1749)

No limit for rated heating output.

The heat generator draws combustion air from the outside via a coaxial pipe in the dormer and expels flue gas to the outside through the dormer.

Routing over external walls

(Type C_{53x1} to CEN/TR 1749)

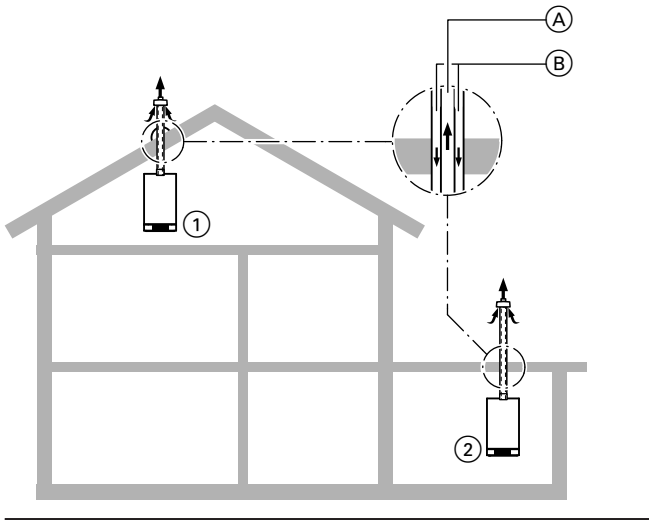
The heat generator draws combustion air from the outside via a horizontal coaxial pipe (balanced flue air inlet piece) on the external wall and expels flue gas above the roof.

In its vertical section, the external pipe of the coaxial pipe acts as thermal insulation thanks to its static air gap.

For a detailed description, see page 25.

Flue systems (cont.)

In occupied rooms (living space) immediately below the roof or with only the roof space above



- (A) Flue gas
- (B) Ventilation air

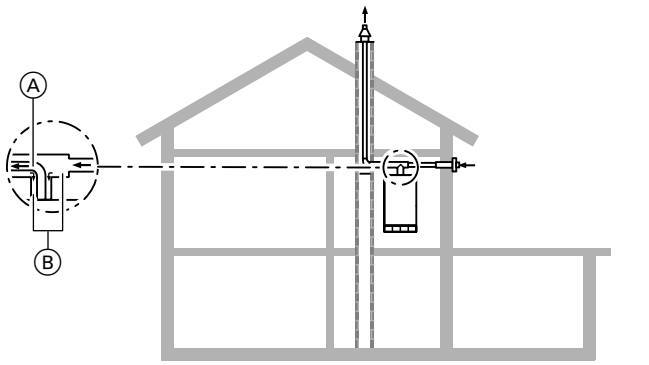
Vertical roof outlet if no shaft is available (Type C_{33x}, to CEN/TR 1749)

(Various options)

- ① Direct, vertical roof outlet through a pitched roof
- ② Direct, vertical roof outlet through a flat roof

The heat generator draws combustion air from the outside via a coaxial pipe and expels flue gas above the roof. For a detailed description, see page 21.

In the installation room, with ventilation air supplied through the external wall



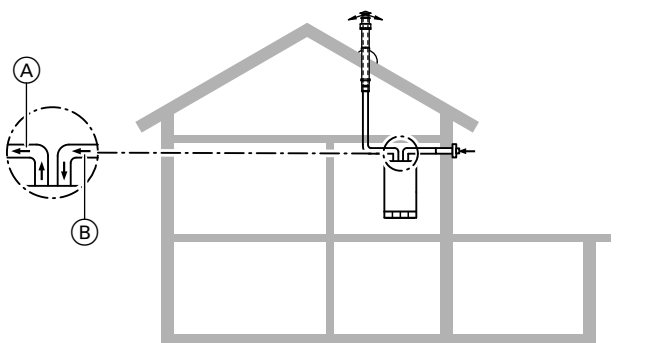
- (A) Flue gas
- (B) Ventilation air

Separate ventilation air and flue gas routing (Type C_{83x}, to CEN/TR 1749)

The heat generator draws combustion air from the outside via a separate ventilation air pipe routed through the external wall, and expels flue gas to the outside via a shaft leading through the roof.

The connection piece to the chimney is designed as a coaxial pipe. This flue gas/ventilation air system is used if the existing chimney is unsuitable for routing combustion air due to its dimensions or characteristics (deposits).

For a detailed description, see page 24.

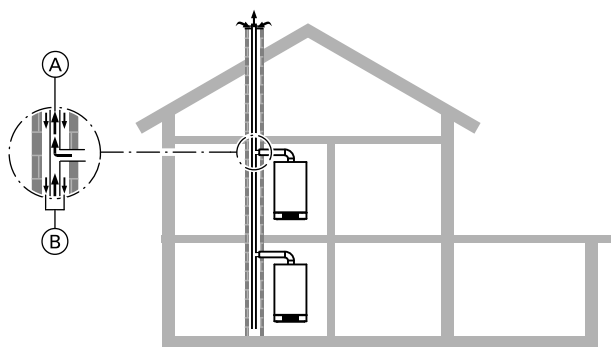


- (A) Flue gas
- (B) Ventilation air

Parallel ventilation air and flue gas routing (Type C₈₃, to CEN/TR 1749)

The heat generator draws combustion air from the outside via a separate ventilation air pipe routed through the external wall, and expels flue gas to the outside via the flue leading through the roof.

Several Vitodens in the living space or in living spaces



- (A) Flue gas
- (B) Ventilation air

Installation on different floors with a common balanced flue system

(Type C_{14(3)x}, C₄₃ to CEN/TR 1749))

Operation with negative pressure:

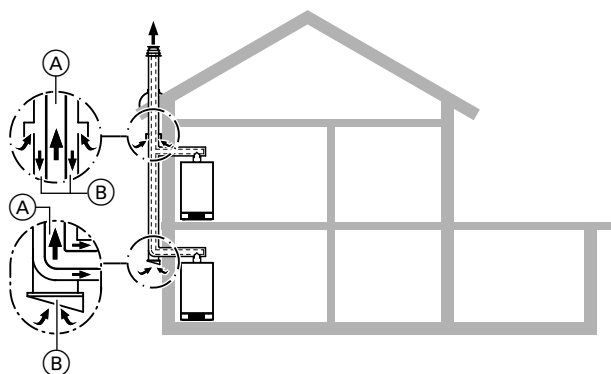
Balanced flue system required.

Operation with positive pressure:

Balanced flue system for multiple connections.

Several heat generators draw combustion air from the outside through the annular gap of the balanced flue system and expel flue gas to the outside through a common shaft in the roof.

For a detailed description, see page 31.



- (A) Flue gas
- (B) Ventilation air

Installation on different floors with a common balanced flue header on the external wall

(Type C_{14(3)x}, to CEN/TR 1749))

Balanced flue system for multiple connections on the external wall.

Several boilers draw combustion air from the outside through the annular gap of the balanced flue header and expel flue gas to the outside through the roof outlet of the balanced flue header.

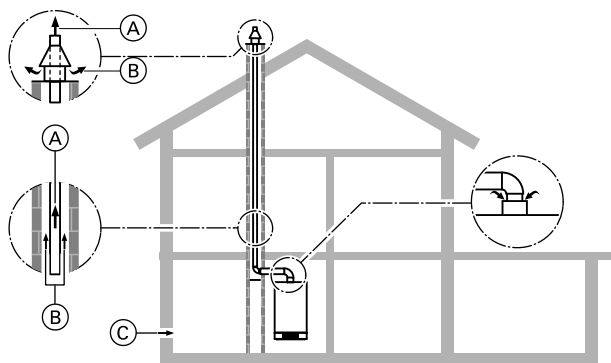
For a detailed description, see page 31.

1.10 Flue system installation options for open flue operation

Separate ventilation air aperture 150 cm² or 2 × 75 cm² cross-section required.

- (A) For installation in Austria, observe the relevant safety regulations of the ÖVGW-TR Gas (G1) 1985, ÖVGW-TRF (G2), ÖNORM, ÖVGW, ÖVE and regional regulations.

In the installation room (non-living space) with one or more full floors above



- (A) Flue gas
- (B) Secondary ventilation
- (C) Ventilation air

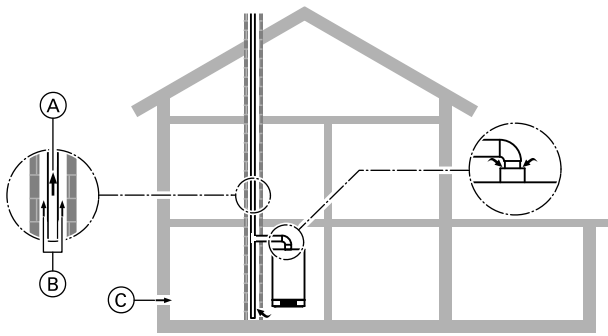
Routing through a shaft (positive pressure)

(Type B₂₃, to CEN/TR 1749)

The boiler draws combustion air from the installation room and expels flue gas through the flue to above the roof (balanced flow).

For a detailed description, see page 36.

Flue systems (cont.)

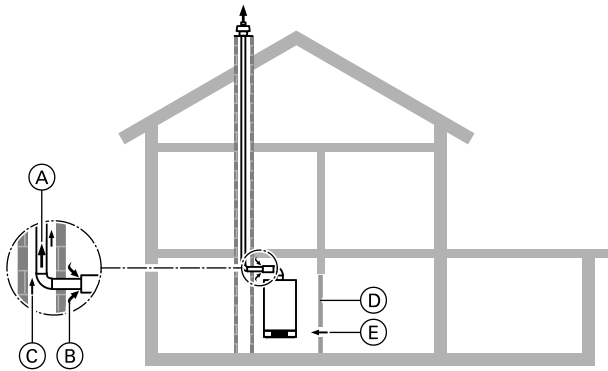


- (A) Flue gas
- (B) Secondary ventilation
- (C) Ventilation air

Connection to a moisture-resistant chimney (MR chimney, negative pressure) (Type B₂₃, to CEN/TR 1749)

The boiler draws combustion air from the installation room and expels flue gas through the roof in the moisture-resistant chimney. For a detailed description, see page 41.

Special version: Open flue operation and installation location in the living space with combustion air supply via interconnected rooms (rated heating output ≤ 35 kW)



- (A) Flue gas
- (B) Ventilation air
- (C) Secondary ventilation
- (D) Door
- (E) Interconnected air supply

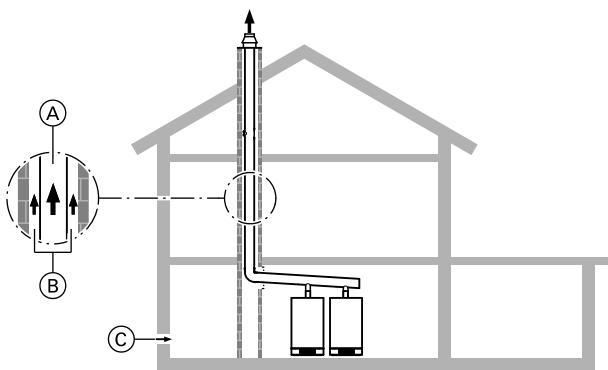
Routing through a shaft or

Connection to a moisture-resistant chimney (Type B₃₃, to CEN/TR 1749)

The boiler draws combustion air from the living space through a coaxial pipe with ventilation air apertures upstream of the shaft inlet, and expels flue gas either through a flue or a moisture-resistant chimney in the roof (combustion air supply via interconnected rooms in accordance with TRGI).

For a detailed description, see page 40.

Flue gas header for several Vitodens 050-W, 100-W, 111-W, 111-F, 200-W, 222-W, 222-F, 242-F (appliance types not available in all countries) – positive pressure



- (A) Flue gas
- (B) Secondary ventilation
- (C) Supply air

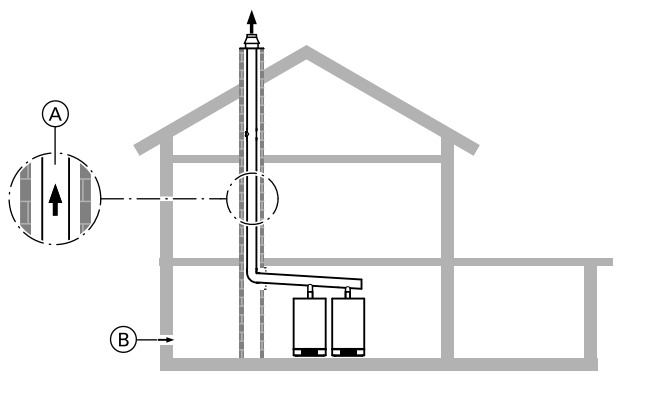
Type B₂₃, to CEN/TR 1749

Several boilers in the same room draw combustion air from the outside through vents and expel flue gas to the outside through a common flue pipe in the roof.

For a detailed description, see page 42.

Flue systems (cont.)

Flue gas collector for several Vitodens – negative pressure



Type B₂₃, to CEN/TR 1749

Several boilers in the same room draw combustion air from the outside through vents and expel flue gas to the outside through a common flue pipe in the roof.

For a detailed description, see page 48.

- (A) Flue gas
- (B) Ventilation air

Design and sizing information for connection on the flue gas side

2.1 Boiler allocation — flue gas/ventilation air pipe size

All details regarding length and cross-section in the following tables are only valid in connection with the balanced flue components offered in the Viessmann pricelist.

The specified system sizes are nominal diameters. Actual component dimensions may differ.

	Nominal diameter in mm		Actual internal diameter in mm	
	Flue pipe	Ventilation air pipe	Flue pipe	Ventilation air pipe
– Vitodens 050-W	60	100	60.5 +0.3	98.6 +0.3
– Vitodens 100-W, Vitodens 111-W, Vitodens 111-F and Vitodens 141-F				
– Vitodens 200-W up to 32 kW, Vitodens 222-W, Vitodens 222-F and Vitodens 242-F				
– Vitodens 200-W, 49 to 60 kW	80	125	80.5 +0.8	126 ±0.5
– Vitodens 200-W, 69 to 150 kW	110	150	111 +1/-0.3	151 +0.8/-0.3

2.2 Installing flue pipes

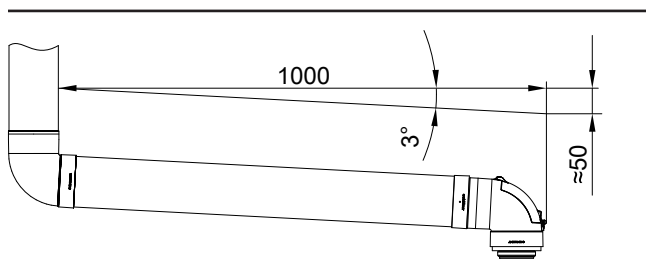
When designing and installing the flue pipe, a fall of at least 3° towards the boiler must be maintained.

The required fall is the same if using an 87° boiler flue connection bend or 87° inspection tee.

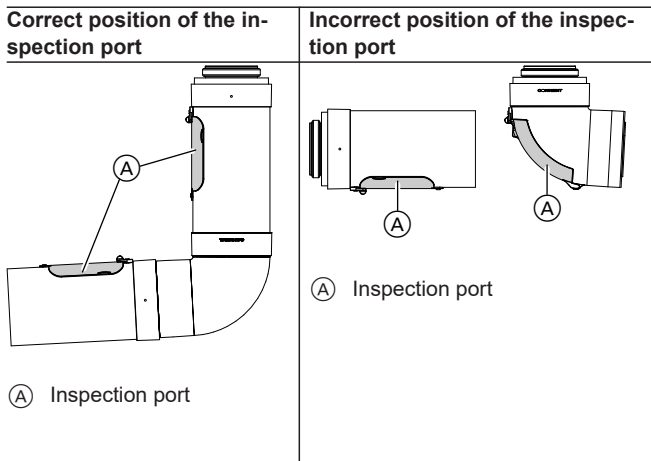
The required fall of 3° also corresponds to a height differential of approx. 50 mm over a length of 1 m.

If the required fall is not maintained, condensate will not drain off fully and residue will remain in the joints. This will lead to an increase in acid concentration and possible damage to the gaskets.

For this reason, the flue must also never be designed and installed with a fall leading away from the boiler.



Installation and position of inspection ports



Design the inspection ports to ensure that no condensate can collect around them. Collected condensate would lead to an increase in acid concentration and possible gasket damage. Install the inspection pieces with the port at the top/in the upper section.

2.3 Plastic (PPs) balanced flue system for routing in a shaft – for room sealed operation (type C_{93x} to CEN/TR 1749)

For **room sealed operation**, a coaxial flue (internal pipe for flue gas, external pipe for combustion air) is required as a connection piece between the Vitodens and the shaft.
The connection piece is fitted to the boiler flue connection and must contain an inspection port.

Note

Gas condensing boilers with a total rated heating output greater than 100 kW may only be installed in rooms that provide ventilation air apertures to the outside; see page 36.

For routing through shafts or ducts with longitudinal ventilation which meets the requirements for chimneys to DIN V 18160-1, or have a fire rating of 90 minutes (L90), or a fire rating of 30 minutes (L30) for buildings in categories 1 and 2 (max. 2 storeys).

Prior to installation, the relevant flue gas inspector should check that the shaft to be used is suitable and approved for this purpose. Ventilation air shafts with which oil or solid fuel boilers were previously used must not contain any sulphur or soot deposits on the inner surfaces of the chimney. Sulphur and soot deposits cause operating faults. If thorough cleaning is not possible, a balanced flue pipe must be laid through the shaft. Alternatively, the flue gas/ventilation air pipes can be routed separately. Viessmann accepts no liability for damages resulting from failure to observe these instructions. Close off and seal any other connection apertures with appropriate materials.

This does not apply to any cleaning or inspection apertures that are provided with chimney cleaning covers and that are identified with an appropriate test mark.

Check prior to installation whether the shaft runs straight from top to bottom or if it is offset (check with mirrors).

If the chimney is offset, we recommend the installation of a flexible flue pipe: See page 20.

In the installation room, at least one inspection port must be provided in the flue system for inspection, cleaning and pressure testing (if required). If the flue is inaccessible from the roof, a second inspection port must be provided in the attic behind the chimney cleaning hatch. For further information, see FeuVo [Germany]. Provide an inspection port at the base of the shaft for checking the secondary ventilation. Safeguard the unrestricted draining of the condensate from the flue into the boiler through an appropriate fall of at least 3°.

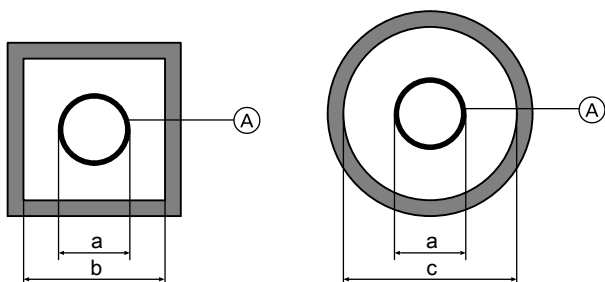
The flue system must be routed to above the roof (protrusion above the roof in accordance with the Landes-FeuVO – check local fire regulations).

Alternative CE designated flue pipes may be used, e.g. if a larger pipe diameter is required because of greater flue lengths. The performance verification to EN 13384 should then be provided by the respective flue manufacturer.

If flue pipes other than those offered as accessories (certified as a system with the Vitodens) are used, the flue system must be checked for tightness by the flue gas inspector prior to commissioning.

This may be carried out, in accordance with the flue system approval certificate, by measuring the CO₂ or O₂ value inside the annular gap. Check the flue system for tightness if this test results in a CO₂ content above 0.2 % or an O₂ content lower than 20.6 %.

Internal shaft dimensions to DIN V 18160



Design and sizing information for connection on the flue gas side (cont.)

Minimum internal shaft dimensions

System size ^(A)	External diameter, female connection		Minimum internal shaft dimensions	
	a	b	Square or rectangular	c
			(short side)	Round
	Ø mm	mm	Ø mm	
60 (rigid)	73	113		133
60 (flexible, shaft cover PPs)	72	112		132
60 (flexible, shaft cover metal)	87	140		147
80 (rigid)	94	135		155
80 (flexible, shaft cover PPs)	102	142		162
80 (flexible, shaft cover metal)	116	165		176
110 (rigid)	128	170		190
110 (flexible, shaft cover PPs)	127	167		187
110 (flexible, shaft cover metal)	142	182		202

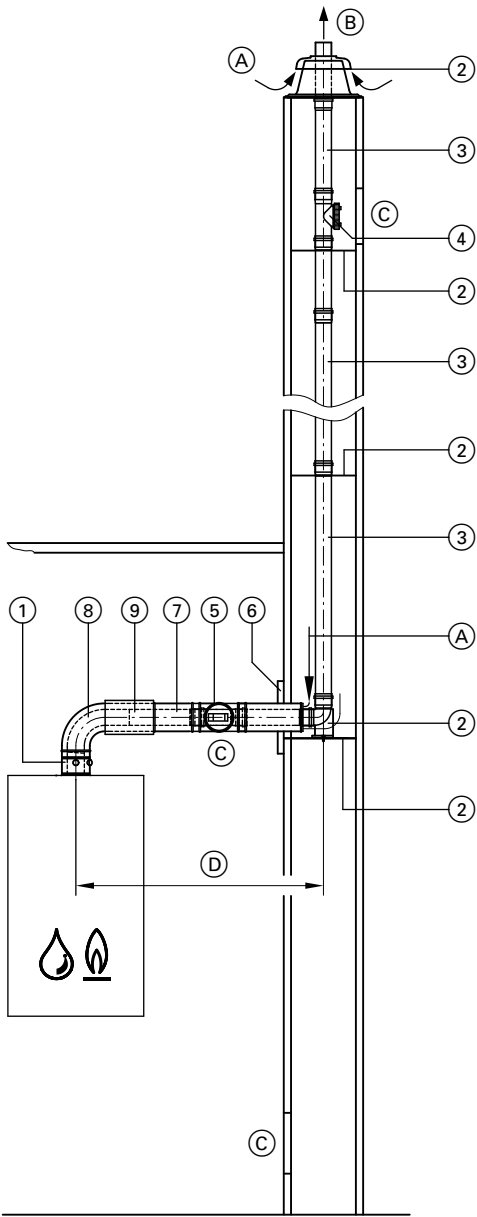
Reduced internal shaft dimensions

System size ^(A)	External diameter, female connection		Reduced internal shaft dimensions	
	a	b	Square or rectangular	c
			(short side)	Round
	Ø mm	mm	Ø mm	
60 (rigid)	73	112		112
80 (rigid)	94	120		135
110 (rigid)	128	150		165

Minimum shaft dimension in which a flue may be used in the shaft (positive pressure operation) without separate calculation to EN 13384. **Observe the maximum flue lengths.**

Design and sizing information for connection on the flue gas side (cont.)

Flue, system size 60, 80 and 110 (components) (type C_{93x} to CEN/TR 1749)



- (A) Ventilation air
- (B) Flue gas
- (C) Inspection port
- (D) Connection piece

	System size Ø mm		
	60	80	110
① Boiler flue connection (part of the standard boiler delivery)	60	80	110
② Standard shaft pack (PPs, rigid) Comprising: – Support bend – Support rail – Shaft cover – Spacers (5 pce, max. distance 5 m) or Standard shaft pack (metal/PPs, rigid) For twin flue chimneys; one flue for solid fuel boilers Comprising: – Support bend – Support rail – Shaft cover (metal) – Terminal pipe (stainless steel) – Spacers (5 pce, max. distance 5 m)	60	80	110
Spacers (3 pce, max. distance 5 m)	60	80	110
③ Flue pipe 1.95 m long (2 pce @ 1.95 m = 3.9 m) 1.95 m long (1 pce) 1 m long (1 pce) 0.5 m long (1 pce)	60	80	110
Flue bend (for use in corbelled chimneys) 30° (2 pce) 15° (2 pce)	60	80	110
④ Inspection piece , straight (1 pce)	60	80	110
⑤ Balanced flue inspection piece , straight (1 pce)	60	80	110
⑥ Balanced flue wall bezel	60	80	110
⑦ Balanced flue pipe 1 m long 0.5 m long	60	80	110
⑧ Balanced flue bend 87° (1 pce) 45° (2 pce) or Balanced flue inspection tee 87° (1 pce) Balanced flue inspection bend 87° (1 pce)	60	80	110
⑨ Balanced flue slide coupling	60	80	110
Fixing clamp , white (1 pce)	60	80	110
Stainless steel extension , 380 mm long for shaft cover, standard shaft pack (metal/PPs, rigid)	60	80	110
Balanced flue adaptor – Ø 80/125 mm to Ø 60/100 mm – Ø 60/100 mm to Ø 80/125 mm – Ø 80/125 mm to Ø 110/150 mm	60 60 —	80 80 80	— — 110

Max. total flue length up to the boiler flue connection

Vitodens 100-W and 111-W

Rated heating output	kW	11	19	25	32
Max. length – system size 60/100	m	20	20	20	20
Max. length – system size 80/125 ^{*1}	m	30	30	30	30

^{*1} Alternative system size. Balanced flue adaptor must be ordered separately.

5414641

Design and sizing information for connection on the flue gas side (cont.)

Vitodens 200-W, 222-F, 222-W and 242-F (appliance types not available in all countries)

Rated heating output	kW	11	19	25	32
Max. length – system size 60/100	m	30	30	30	30
Max. length – system size 80/125 ^{*1}	m	30	30	30	30

Vitodens 200-W, from 49 kW

Rated heating output	kW	49	60	80	99	120	150
Max. length – system size 80/125	m	20	15	—	—	—	—
Max. length – system size 110/150	m	25 ^{*1}	20 ^{*1}	20	20	8	5

The following components are taken into consideration for the maximum flue lengths:

- Balanced flue connection pipe (D) 1 m long.
- 1 balanced flue bend 87° and 1 support bend 87°
or
- 2 balanced flue bends 45° and 1 support bend 87°

For other bends, tees and straight lengths, subtract the following values from the maximum length:

- Balanced flue connection pipe 0.5 m long: 1 m
- Balanced flue connection pipe 1 m long: 2 m

- Balanced flue bends 45°: 0.5 m
- Balanced flue bends 87°: 1 m
- Balanced flue inspection tee: 1 m

Note

Observe the specifications for internal shaft dimensions: See page 15.

For information on routing type C6, see page 4.

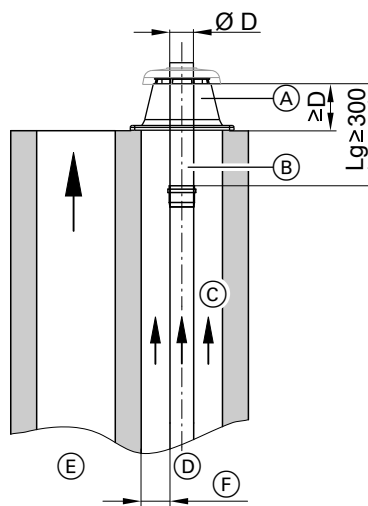
Vitodens in conjunction with solid fuel boilers

Routing a plastic flue adjacent to a shaft at risk of chimney fire from soot (e.g. 2-draught chimney with wood burning stove) is generally permitted. Depending on the design of the chimney top and the operation of the condensing systems (open flue or room sealed), fire regulations specify different measures. Design the balanced flue terminals so that flue gas will not be drawn into the air shaft in dangerous amounts and that pressure fluctuations due to wind influence affect the room sealed balanced flue shaft as evenly as possible. For the required steps, see the following sections:

Open flue operation and/or ventilation air not being supplied through the shaft

The terminals of combustible flues in the upper area should be made from non-flammable materials for fire protection reasons. The length of flue pipe made from non-combustible materials, situated in area L_g and protected from thermal radiation, must be at least 300 mm. The length of the external terminal pipe of the shaft cover must correspond, as a minimum, to external diameter D of the internal flue pipe.

The standard shaft pack (metal/PPs) contains a stainless steel pipe (380 mm long). A stainless steel extension (380 mm long) is available as an additional accessory.



- (A) Metal shaft cover
- (B) Terminal made from non-combustible material
- (C) Secondary ventilation
- (D) Vitodens flue pipe
- (E) Chimney for solid fuel boilers
- (F) Minimum clearance to DIN V 18160, reduced minimum clearance or maximum clearance to EN 14471 (see page 16)

Room sealed operation – the ventilation air is supplied through the shaft

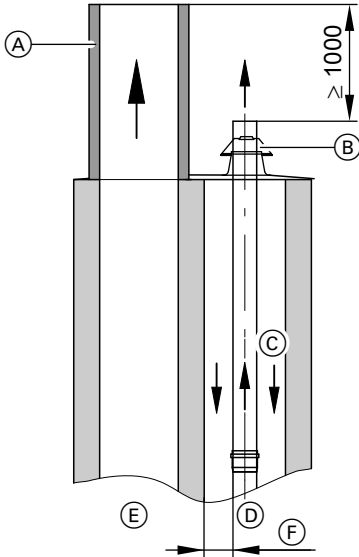
Design the balanced flue terminals so that flue gas will not be drawn into the air shaft in dangerous volumes and that pressure fluctuations due to wind influence affect the balanced flue system as evenly as possible.

^{*1} Alternative system size. Balanced flue adaptor must be ordered separately.

Design and sizing information for connection on the flue gas side (cont.)

■ When using a plastic shaft cover:

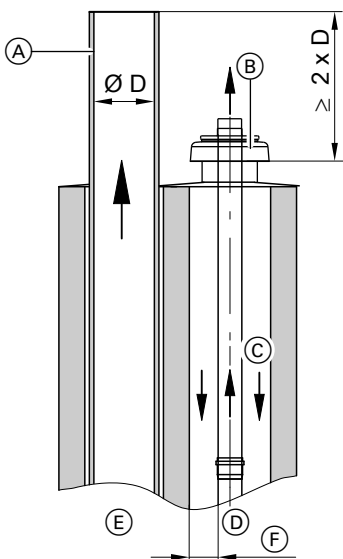
The chimney for solid fuel must stand at least 1000 mm proud of the Vitodens flue. For the chimney extension, only use components that are resistant to soot fires.



- (A) Chimney extension made from soot fire resistant material
- (B) Shaft cover, plastic
- (C) Ventilation air/secondary ventilation
- (D) Vitodens flue pipe
- (E) Chimney for solid fuel boilers
- (F) Minimum clearance to DIN V 18160, reduced minimum clearance or maximum clearance to EN 14471 (see page 16)

■ When using a metal shaft cover:

The chimney for solid fuel boilers must stand at least $2 \times \varnothing D$ proud of the Vitodens flue. For the chimney extension, only use components that are resistant to soot fires.

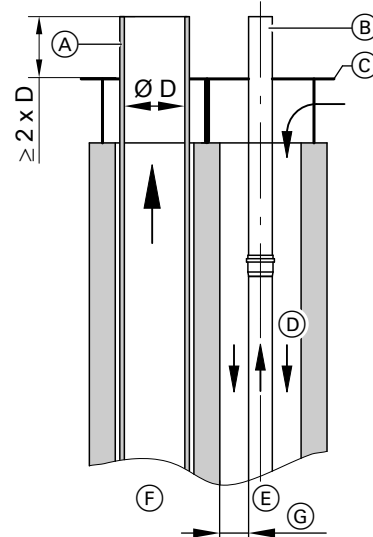


- (A) Chimney extension made from soot fire resistant material
- (B) Metal shaft cover

- (C) Ventilation air/secondary ventilation
- (D) Vitodens flue (rigid or flexible)
- (E) Chimney for solid fuel boilers
- (F) Minimum clearance to DIN V 18160, reduced minimum clearance or maximum clearance to EN 14471 (see page 16)

■ If using a common downdraught plate:

The terminal of the flue and the shaft cover must be made from non-combustible material (e.g. metal).



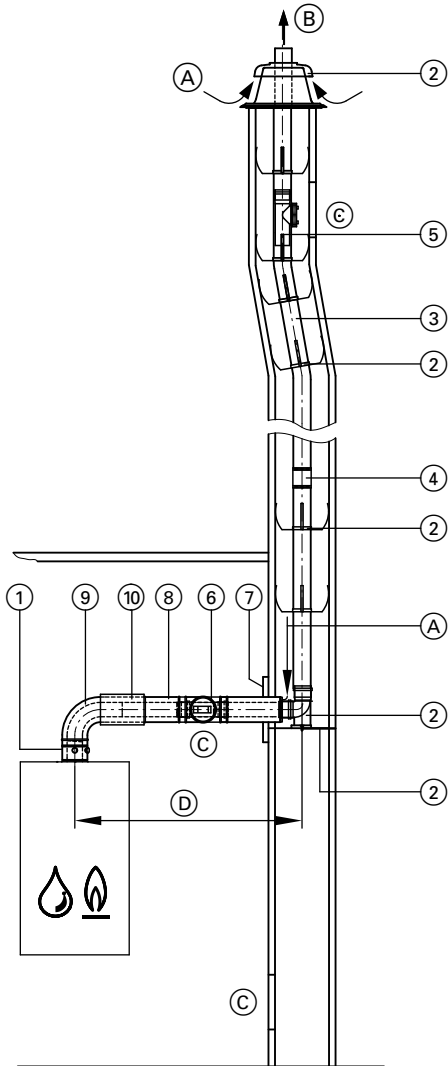
- (A) Chimney extension made from soot fire resistant material
- (B) Terminal made from non-combustible material
- (C) Shaft cover (on site)
- (D) Ventilation air/secondary ventilation
- (E) Vitodens flue pipe
- (F) Chimney for solid fuel boilers
- (G) Minimum clearance to DIN V 18160, reduced minimum clearance or maximum clearance to EN 14471 (see page 16)

The metal end piece and shaft cover are part of the standard shaft pack (metal/PPs).

The standard shaft pack (metal/PPs) is available as an accessory.

Design and sizing information for connection on the flue gas side (cont.)

Flue, flexible, system size 60, 80 and 110 (components) (type C_{93x} according to CEN/TR 1749)



- (A) Ventilation air
- (B) Flue gas
- (C) Inspection port
- (D) Connection piece

Note

The flexible flue pipe may be routed at a max. angle from vertical of 45°.

	System size Ø mm		
	60	80	110
① Boiler flue connection (part of the standard boiler delivery)	60	80	110
② Standard shaft pack (PPs, flexible) Comprising: – Support bend – Support rail – Shaft cover – Spacers (5 pce, max. distance 2 m)	60	80	110
Standard shaft pack (metal/PPs, flexible) for twin flue chimneys; one flue for solid fuel boilers Comprising: – Support bend – Support rail – Shaft cover (metal) – Terminal pipe (stainless steel) – Spacers (5 pce, max. distance 2 m)	60	80	110
Spacers (5 pce, max. distance 2 m)	60	80	110
③ Flue pipe, flexible , as a 12.5 or 25 m roll	60	80	110
④ Connection piece for connecting residual lengths of the flexible flue	60	80	110
⑤ Inspection piece , straight for installation in the flexible flue pipe	60	80	110
Pipe lowering attachment with 25 m rope	60	80	110
⑥ Balanced flue inspection piece , straight (1 pce)	60	80	110
⑦ Balanced flue wall bezel	60	80	110
⑧ Balanced flue pipe 1 m long 0.5 m long	60	80	110
⑨ Balanced flue bend 87° (1 pce) 45° (2 pce) or Balanced flue inspection tee 87° (1 pce) Balanced flue inspection bend 87° (1 pce)	60	80	110
⑩ Balanced flue slide coupling	60	80	110
Fixing clamp , white (1 pce)	60	80	110
Stainless steel extension , 380 mm long for shaft cover, standard shaft pack (metal/PPs, flexible)	60	80	110
Balanced flue adaptor – Ø 80/125 mm to Ø 60/100 mm – Ø 60/100 mm to Ø 80/125 mm – Ø 80/125 mm to Ø 70/110 mm – Ø 80/125 mm to Ø 110/150 mm	60 60 — —	80 80 80 80	— — — 110

Max. total flue length up to the boiler flue connection with flexible flue pipe

Vitodens 100-W and 111-W

Rated heating output	kW	11	19	25	32
Max. length – system size 60/100*1	m	10	10	10	10
Max. length – system size 80/125*1	m	15	15	15	15

*1 Alternative system size. Balanced flue adaptor must be ordered separately.

Design and sizing information for connection on the flue gas side (cont.)

Vitodens 200-W, 222-F, 222-W and 242-F (appliance types not available in all countries)

Rated heating output	kW	11	19	25	32
Max. length – system size 60/100	m	20	17	17	18
Max. length – system size 60/100 (for combi boilers and storage combi boilers)	m	17	17	16	8
Max. length – system size 80/125 ^{*1}	m	30	30	30	30

Vitodens 200-W, from 49 kW

Rated heating output	kW	49	60	80	99	120	150
Max. length – system size 80/125	m	20	15	—	—	—	—
Max. length – system size 110/150	m	22 ^{*1}	17 ^{*1}	20	20	8	5

The following components are taken into consideration for the maximum flue lengths:

- Balanced flue connection pipe (D) 1 m long.
- 1 balanced flue bend 87° and 1 support bend 87° or
- 2 balanced flue bends 45° and 1 support bend 87°

For other bends, tees and straight lengths, subtract the following values from the maximum length:

- Balanced flue connection pipe 0.5 m long: 1 m
- Balanced flue connection pipe 1 m long: 2 m

- Balanced flue bends 45°: 0.5 m
- Balanced flue bends 87°: 1 m
- Balanced flue inspection tee: 1 m

Note

Observe the specifications for internal shaft dimensions: See page 15.

For information on routing type C6, see page 4.

2.4 Plastic (PPs) balanced flue system for vertical roof outlets through a pitched or flat roof (type C_{33x} to CEN/TR 1749)

For vertical roof outlets when the Vitodens is installed in attics

The roof outlet may only be used where the ceiling of the living space also forms part of the roof or only the roof structure is located above the ceiling (pitched attic).

Note

Install condensing boilers with a heating output > 50 kW in a separate and ventilated installation room (in accordance with the FeuVO – check local fire regulations) (Vitodens 200-W from 60 kW).

Inside buildings, route flues made from combustible materials (if they are not routed through shafts) inside protective pipes made from non-combustible materials or inside comparable protective covers made from non-combustible materials.

They can also be routed behind a jamb wall or a solid wall of a converted attic if the fire protection class of the jamb wall corresponds to that of the ceiling (e.g. B30).

Minimum clearances to combustible materials inside the installation room or in connection with the roof outlet are **not** required.

As part of the CE approval test it was verified that surface temperatures on the Vitodens and its balanced flue system do not exceed 85 °C at any point.

Install an inspection port for checking and cleaning the flue inside the installation room.

The vertical roof outlet has been certified together with the Vitodens condensing boiler as a coaxial balanced flue system.

A performance verification to EN 13384 is **not** required.

Note

When routing through a suspended ceiling, an additional sealing collar is required. The sealing collar can be requested from the appropriate regional quotation centres.

Vertical flat roof outlet

Integrate the flat roof collar into the roof cladding according to the flat roof guideline: See page 63.

The ceiling opening should have a diameter of at least the specified size:

- System size Ø 60 mm: 105 mm
- System size Ø 80 mm: 130 mm
- System size Ø 110 mm: 160 mm

Push the roof outlet into the roof from above and position it on the flat roof collar.

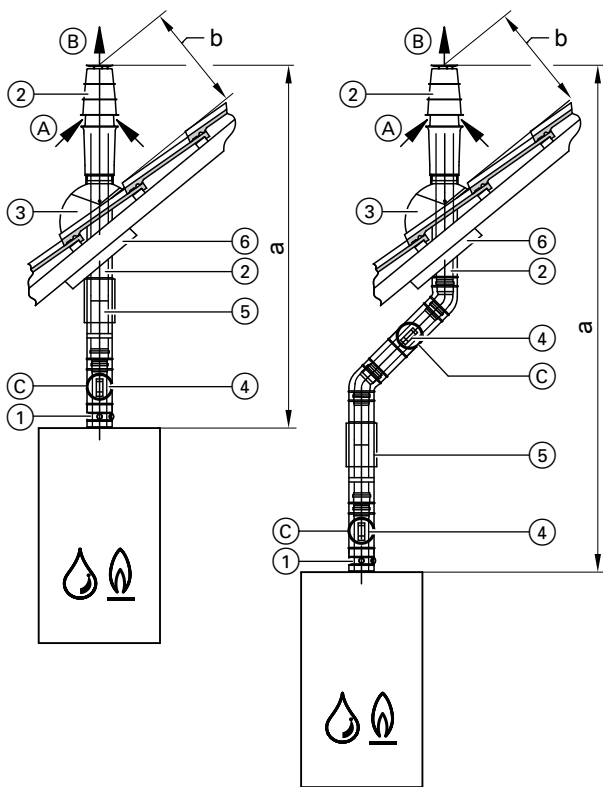
Ensure the installation has been completed before securing the roof outlet on site with a clamp.

When installing several vertical roof outlets adjacent to each other, maintain minimum clearances of 1.5 m between outlets and towards other components, in accordance with the FeuVo [check local fire regulations].

Note

Separate above roof extensions are available if the length of 400 mm above the roof and perpendicular to the roof surface prove insufficient because of specific regulations (see table below). Approval with the flue system is ensured.

Design and sizing information for connection on the flue gas side (cont.)



- (A) Ventilation air
- (B) Flue gas
- (C) Inspection port

	System size Ø mm		
	60	80	110
① Boiler flue connection (part of the standard boiler delivery)	60	80	110
② Balanced flue roof outlet with fixing clamp Colour: Black or Colour: Terracotta Above roof extension with clamp (brace on site) Colour: Black 0.5 m long 1 m long, with bracing clamp Colour: Terracotta 0.5 m long 1 m long, with bracing clamp	60	80	110
③ Universal roof tile – For Roman tiles, pantiles, plain tiles, slate and other types of roof cover – Colour: Black or terracotta or Flat roof collar or Pipe outlet for Klöber roof tiles Colour: Black or terracotta Corresponding Klöber roof tile to be provided on site to match the roof outlet selected for the particular type of roof cover.	60	80	110
④ Balanced flue inspection piece, straight (1 pce)	60	80	110
⑤ Balanced flue slide coupling	60	80	110
⑥ Universal cover plate	60	80	110
Balanced flue bend 87° (1 pce) 45° (2 pce)	60	80	110
Balanced flue pipe 1 m long 0.5 m long	60	80	110
Fixing clamp, white (1 pce)	60	80	110
Balanced flue adaptor – Ø 80/125 mm to Ø 60/100 mm – Ø 60/100 mm to Ø 80/125 mm – Ø 80/125 mm to Ø 110/150 mm	60 60 —	80 80 80	— — 110

Max. total flue length

Vitodens 100-W and 111-W

Rated heating output	kW	11	19	25	32
Max. length – system size 60/100	m	20	20	20	20
Max. length – system size 80/125 ^{*1}	m	30	30	30	30

Vitodens 200-W, 222-F, 222-W and 242-F (appliance types not available in all countries)

Rated heating output	kW	11	19	25	32
a Max. length – system size 60/100	m	30	30	30	30
a Max. length – system size 60/100 (for combi boilers and storage combi boilers)	m	30	30	30	16
a Max. length – system size 80/125 ^{*1}	m	30	30	30	30
b min.	mm	400	400	400	400

Vitodens 200-W, from 49 kW

Rated heating output	kW	49	60	80	99	120	150
a Max. length – system size 80/125	m	10	6	—	—	—	—
a Max. length – system size 110/150	m	13 ^{*1}	9 ^{*1}	15	15	8	5
b min.	mm	400	1000	1000	1000	1000	1000

^{*1} Alternative system size. Balanced flue adaptor must be ordered separately.

Design and sizing information for connection on the flue gas side (cont.)

2 balanced flue bends 87° are taken into consideration for the maximum flue lengths.

For other bends, tees and straight lengths, subtract the following values from the maximum length:

- Balanced flue bends 45°: 0.5 m
- Balanced flue bends 87°: 1 m
- Balanced flue inspection tee: 1 m

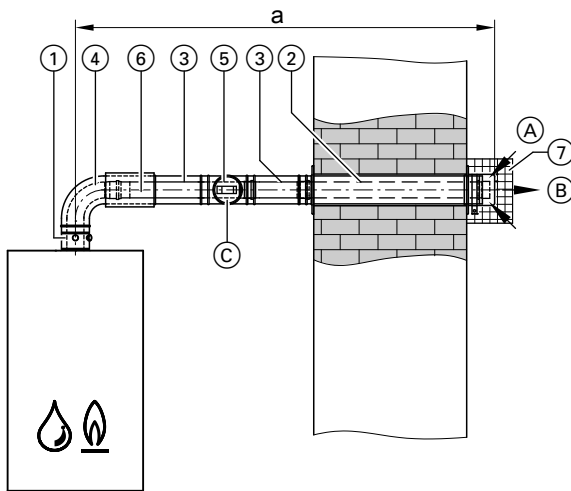
2.5 Plastic (PPs) balanced flue system for external wall connection (type C_{13x} to CEN/TR 1749)

As part of the CE approval test it was verified that surface temperatures on the Vitodens and its balanced flue system do not exceed 85 °C at any point.

Observe the design information to CEN/TR 1749, in particular the arrangement/position of the wall terminal.

Install the connection line with a fall of at least 3° to the boiler. Install an inspection port in the flue for checking and cleaning the flue pipe.

The external wall connection has been certified as a coaxial balanced flue system with the Vitodens condensing boiler. A performance verification to EN 13384 is **not** required.



- (A) Ventilation air
- (B) Flue gas
- (C) Inspection port

		System size Ø mm		
①	Boiler flue connection (part of the standard boiler delivery)	60	80	110
②	Balanced flue external wall connection (incl. wall bezels)	60	80	110
③	Balanced flue pipe 1 m long 0.5 m long	60	80	110
④	Balanced flue bend 87° (1 pce) 45° (2 pce) or Balanced flue inspection bend 87° (1 pce)	60	80	110
⑤	Balanced flue inspection piece, straight (1 pce)	60	80	110
⑥	Balanced flue slide coupling	60	80	110
⑦	Grille Required if the combustion air inlet and flue outlet are positioned up to 2 m above ground level in public or private thoroughfares	60	80	110
	Fixing clamp, white (1 pce)	60	80	110
	Balanced flue adaptor – Ø 80/125 mm to Ø 60/100 mm – Ø 60/100 mm to Ø 80/125 mm	60 60	80 80	— —

Max. total flue length

Vitodens 100-W and 111-W

Rated heating output	kW	11	19	25	32
Max. length – system size 60/100	m	20	20	20	20
Max. length – system size 80/125 ^{*1}	m	30	30	30	30

Vitodens 200-W, 222-F, 222-W and 242-F (appliance types not available in all countries)

Rated heating output	kW	11	19	25	32
a Max. length – system size 60/100	m	30	30	30	30
a Max. length – system size 60/100 (combi boilers and storage combi boilers)	m	30	30	30	16
a Max. length – system size 80/125 ^{*1}	m	30	30	30	30

Vitodens 200-W, from 49 kW

Rated heating output	kW	49	60	80	99	120	150
a Max. length – system size 80/125	m	10	6	—	—	—	—
a Max. length – system size 110/150	m	13 ^{*1}	9 ^{*1}	15	15	8	5

^{*1} Alternative system size. Balanced flue adaptor must be ordered separately.

Design and sizing information for connection on the flue gas side (cont.)

2 balanced flue bends 87° are taken into consideration for the maximum flue lengths.

For other bends, tees and straight lengths, subtract the following values from the maximum length:

- Balanced flue bends 45°: 0.5 m
- Balanced flue bends 87°: 1 m
- Balanced flue inspection tee: 1 m

2.6 Plastic (PPs) balanced flue system for separate ventilation air and flue gas routing (type C_{83x} to CEN/TR 1749)

The Vitodens may be operated in **room sealed** mode and with separately routed flue gas and ventilation air, subject to the flue system meeting the following conditions:

- Connection to a chimney that is unsuitable for providing the combustion air supply because of deposits.
- Connection to a moisture-resistant chimney.

The combustion air is then supplied through a separate ventilation air pipe that is routed separately from the flue gas.

Observe the design information according to CEN/TR 1749.

Internal diameter of flue pipe: Ø 60 or 80 mm

Internal diameter of external pipe: Ø 100 or 125 mm

Internal diameter of ventilation air pipe: Ø 100 mm

Max. pipe length:

- Connection piece: 3 m
- Ventilation air pipe: 4 m

Max. number of bends (flue pipe and ventilation air pipe):

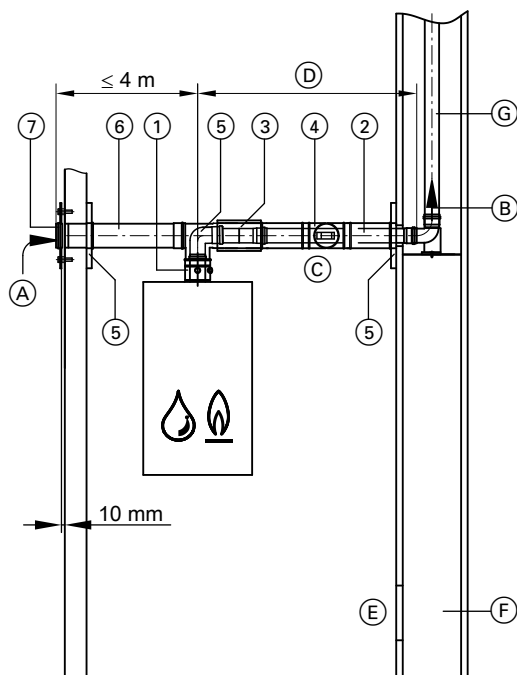
- 87°: 2 pce each
- or
- 45°: 3 pce each

Install an inspection port in the flue for checking and cleaning the flue pipe. Safeguard the unrestricted draining of the condensate from the flue into the boiler through an appropriate fall of at least 3°.

As part of the CE approval test it was verified that surface temperatures on the Vitodens and its balanced flue system do not exceed 85 °C at any point.

The flue system for separate ventilation air and flue gas routing has been certified as a system with the Vitodens condensing boiler.

A performance verification to EN 13384 for the ventilation air side and the connection pieces is **not** required.



- (A) Ventilation air
- (B) Flue gas
- (C) Inspection port
- (D) Connection piece
- (E) Ventilation aperture
- (F) Shaft F90/L90 or F30/L30
- (G) Flue pipe

Note

Where the flue is routed through an existing chimney or shaft (not moisture-resistant), use the flue pipe components according to page 17.

		System size Ø mm	
①	Boiler flue connection (part of the standard boiler delivery) and Balanced flue adaptor Ø 80/125 mm to Ø 60/100 mm	60/100	80/125
	Balanced flue pipe 1 m long 0.5 m long	60	80
②	Balanced flue bend 87° (1 pce) 45° (2 pce)	60	80
	Balanced flue slide coupling	60	80
③	Balanced flue inspection piece, straight (1 pce)	60	80
	Balanced flue tee C 8 with wall bezels	60	80
④	Ventilation air pipe Ø 100 mm 1 m long (may be trimmed to size) 0.5 m long (may be trimmed to size)		
	Ventilation air bend Ø 100 mm 87° (1 pce) 45° (2 pce)		
⑤	Ventilation air damper		
	Fixing clamp, white (1 pce) (balanced flue pipe)	60	80

Design and sizing information for connection on the flue gas side (cont.)

Max. total flue length up to the boiler flue connection

Vitodens 100-W and 111-W

Rated heating output	kW	19	26	30	32
Max. length – system size 60/100	m	20	20	20	20
Max. length – system size 80/125 ^{*1}	m	30	30	30	30

Vitodens 200-W, 222-F, 222-W and 242-F (appliance types not available in all countries)

Rated heating output	kW	11	19	25	32	45	60
Max. length – system size 60/100	m	20	30	30	30	—	—
Max. length – system size 60/100 (for combi boilers and storage combi boilers)	m	30	30	30	28	20	15
Max. length – system size 80/125	m	30	30	30	30	30	30

The following components are taken into consideration for the maximum flue lengths:

- Connection pipe (D) 1 m long.
- 1 bend 87° and 1 support bend 87°
or
- 2 bends 45° and 1 support bend 87°

For other bends, tees and straight lengths, subtract the following values from the maximum length:

- Connection pipe 0.5 m long: 0.5 m
- Connection pipe 1 m long: 1 m
- Bend 45°: 0.3 m
- Bend 87°: 0.5 m
- Inspection tee: 0.5 m

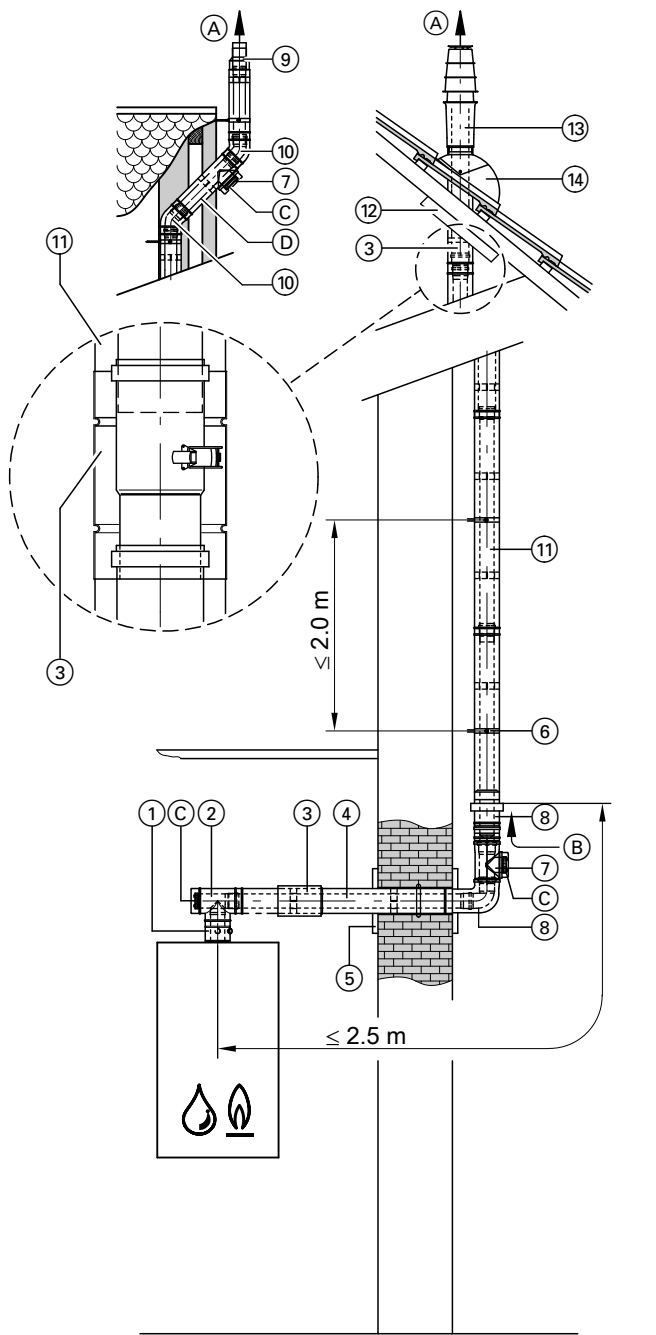
2.7 Plastic (PPs) balanced flue system for routing over external walls (type C_{53x} to CEN/TR 1749)

The Vitodens may also be connected, without a shaft, to a flue pipe that is routed over an external wall.

The combustion air is drawn in via the air inlet piece. The vertical external pipe provides protection and the static air gap inside it acts as thermal insulation. Safeguard the unrestricted draining of the condensate from the flue into the boiler through an appropriate fall of at least 3°.

The external routing has been certified as a coaxial balanced flue system with the Vitodens condensing boiler. A performance verification to EN 13384 is **not** required.

Design and sizing information for connection on the flue gas side (cont.)



- (A) Flue gas
 (B) Ventilation air
 (C) Inspection port
 (D) Elbow in flue for routing over external walls, see page 52

	System size Ø mm		
	60	80	110
① Boiler flue connection (part of the standard boiler delivery)	60	80	110
② Balanced flue inspection tee 87° (1 pce) Balanced flue inspection bend , 87° (1 pce) or Balanced flue inspection piece , straight (1 pce) and Balanced flue bend 87° (1 pce)	60	80	110
③ Balanced flue slide coupling	60	80	110
④ Balanced flue pipe 1.95 m long (1 pce) 1 m long (1 pce) 0.5 m long (1 pce)	60	80	110
⑤ Wall bezel	60	80	110
⑥ Fixing clamp , white (1 pce)	60	80	110
⑦ Balanced flue inspection piece , straight (1 pce) or External wall inspection piece , straight (1 pce)	60	80	110
⑧ External wall pack Comprising: – Balanced flue bend – Balanced flue air inlet piece – Wall bezel	60	80	110
⑨ External wall terminal for short protrusion above the roof	60	80	110
⑩ Balanced flue bend 87° (1 pce) 45° (2 pce) 30° (2 pce) or External wall bend 87° (1 pce) 45° (2 pce) 30° (2 pce)	60 60 60 — — —	80 80 80 — — —	— — — 110 110 110
⑪ Balanced flue pipe 1.95 m long (1 pce) 1 m long (1 pce) 0.5 m long (1 pce) or External wall pipe 1.95 m long (1 pce) 1 m long (1 pce) 0.5 m long (1 pce)	60 60 60 — — —	80 80 80 — — —	— — — 110 110 110
⑫ Universal cover plates	60	80	110
⑬ Balanced flue roof outlet External wall with fixing clamps (for large protrusion above the roof) Colour: Black or terracotta Above roof extension with clamp (brace on site) Colour: Black 0.5 m long 1 m long Colour: Terracotta 0.5 m long 1 m long	60 60 60 60 60	80 80 80 80 80	110 — 110 — —

*1 Alternative system size. Balanced flue adaptor must be ordered separately.

Design and sizing information for connection on the flue gas side (cont.)

⑭		System size Ø mm			System size Ø mm			
		60	80	110	60	80	110	
	Universal roof tile – For Roman tiles and tiled roof cover. Colour: Black or terracotta – For plain tile, slate and other roof cover. Colour: Black or terracotta	60	80	110				
	Pipe outlet for Klöber roof tiles Colour: Black or terracotta Corresponding Klöber roof tile to be provided on site to match the roof outlet selected for the particular type of roof cover.	60	80	—				
					Balanced flue adaptor – Ø 80/125 mm to Ø 60/100 mm – Ø 60/100 mm to Ø 80/125 mm – Ø 80/125 mm to Ø 110/150 mm	60 60 —	80 80 80	— — 110

Max. total flue length

Vitodens 100-W and 111-W

Rated heating output	kW	11	19	25	32
Max. length – system size 60/100	m	20	20	20	20
Max. length – system size 80/125 ^{*1}	m	30	30	30	30

Vitodens 200-W, 222-F, 222-W and 242-F (appliance types not available in all countries)

Rated heating output	kW	11	19	25	32
Max. length – system size 60/100	m	30	30	30	30
Max. length – system size 80/125 ^{*1}	m	30	30	30	30

Vitodens 200-W, from 49 kW

Rated heating output	kW	49	60	80	99	120	150
Max. length – system size 80/125	m	12	12	—	—	—	—
Max. length – system size 110/150	m	17 ^{*1}	17 ^{*1}	20	20	18	15

2 balanced flue bends 87° are taken into consideration for the maximum flue lengths.

For other bends, tees and straight lengths, subtract the following values from the maximum length:

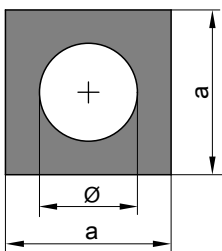
- Balanced flue bends 45°: 0.5 m
- Balanced flue bends 87°: 1 m
- Balanced flue inspection tee: 1 m

2.8 Plastic (PPs) balanced flue system for routing through a lightweight shaft

A space saving shaft for reduced temperature requirements may be retrofitted if no shaft is available where the Vitodens is installed in the living space with one or more full storeys above.

The shaft used must comply with the requirements for domestic chimneys to DIN V 18160-1 or must be generally approved by the building inspectorate [Germany].

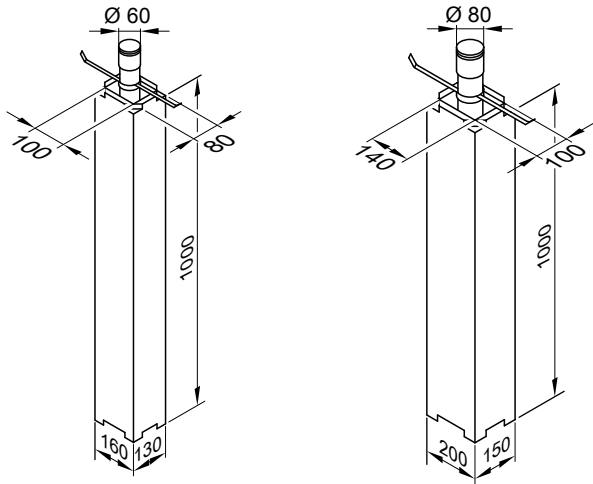
"UNIFIX" shaft profiles from Skoberne (made from aerated concrete)



Ø mm	a mm	b mm	Fire rating
165	240	500	90 min
210	300	500	90 min
240	360	249	90 min
280	400	249	90 min

Design and sizing information for connection on the flue gas side (cont.)

"SKOBIFIXnano" and "SKOBIFIXs 30" shaft elements from Skoberne (made from foamed ceramics)



Fire rating 30 min.

Skoberne is one of the companies that sells a shaft system made from lightweight concrete or foamed ceramics approved by the building inspectorate [Germany].

Skoberne address:

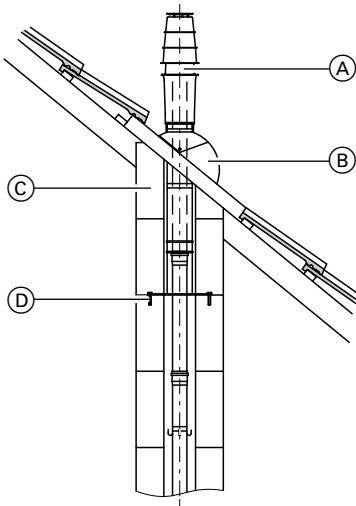
Skoberne Schornsteinsysteme GmbH

Ostendstraße 1

D-64319 Pfungstadt

Anchoring of the roof outlet in shaft profiles

Where the shaft is run up to under the roof cladding

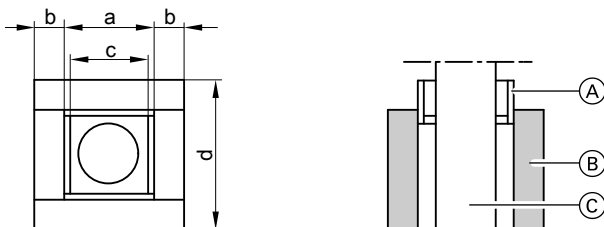


Available from Skoberne:

- (A) Roof outlet
- (B) Universal roof tile
- (C) Terminal shaft profile
- (D) Anchoring of the roof outlet

During installation, match the terminal shaft profile (C) to the roof slope.

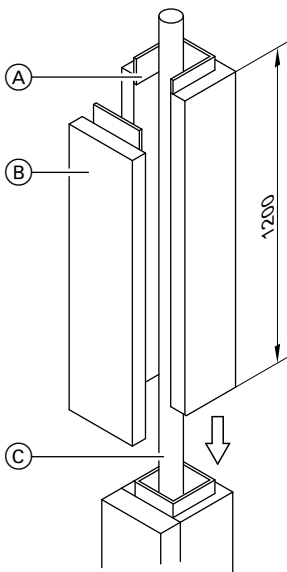
Shaft profiles from Promat



System size Ø mm	a mm	b mm	c mm	d mm	Fire rating
80	140	25	128	190	30 min
	140	40	128	220	90 min
110	180	25	168	230	30 min
	180	40	168	260	90 min

- (A) PROMATECT® female connection
- (B) PROMATECT® profile
- (C) Flue pipe

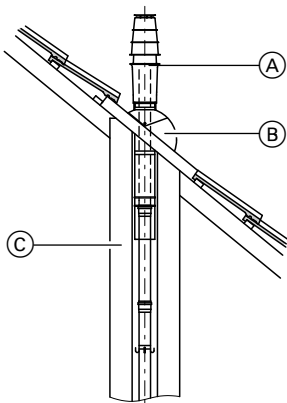
Design and sizing information for connection on the flue gas side (cont.)



Promat is one of the companies that sells a shaft system made from calcium silicate fire-resistant plates approved by the building inspectorate [Germany].
Promat address:
Promat GmbH
Postfach 109 564
D-40835 Ratingen

- (A) PROMATECT® female connection
- (B) PROMATECT® profile
- (C) Flue pipe

Roof outlet for shafts with Promat profiles



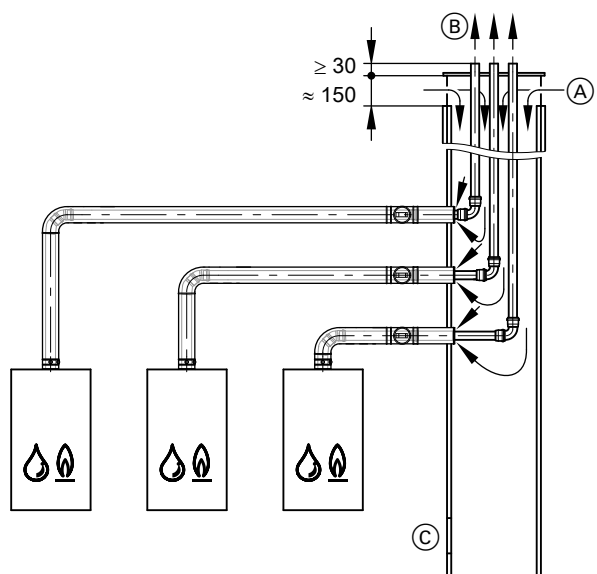
During installation, match the terminal shaft profile to the roof slope.

- (A) Vertical coaxial roof outlet
- (B) Universal roof tile
- (C) Lightweight shaft made from PROMATECT® mineral fibre profiles

2.9 Plastic (PPs) flue gas/ventilation air system for routing multiple pipes through a shaft

There is an option of routing several flues in room sealed operation through a common, sufficiently sized shaft. For this, the Vitodens condensing boilers must be installed in the same living space. For reasons of fire protection, the installation and connection on different levels or in different rooms is not possible. The flues and the shaft covers must be professionally supported inside/on the shaft, on site. For balanced flue components from the Vitodens to the common duct, see page 17.

2

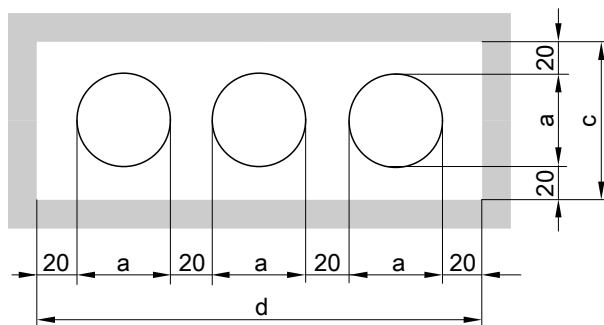
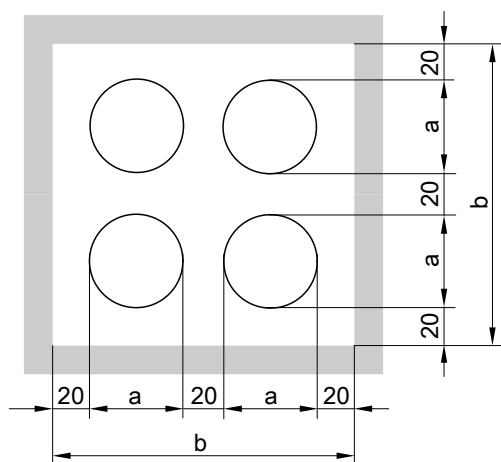


- (A) Ventilation air
- (B) Flue gas
- (C) Inspection port

Layout examples

Minimum clearances of the individual flues to DIN V 18160-1:

- In square/rectangular shafts: 20 mm
- In round shafts: 30 mm



System size Ø mm	Dimensions [mm]			
	a	b	c	d
60	73	206	113	299
80	94	248	134	362
110	128	316	168	464

Note
According to the approval certificate, internal shaft dimensions smaller than those shown in the table may also be used, provided this is allowed under performance verification to EN 13384.

2.10 Plastic (PPs) balanced flue system (connection line) for multiple connection of flues to a single balanced flue system

Vitodens condensing boilers meet the safety requirements of DIN 3368-6. A general building regulations approval for connection to balanced flue systems is therefore not required.

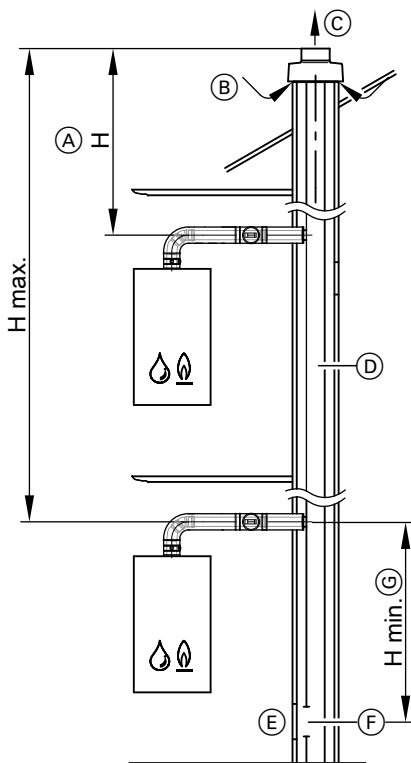
Each gas condensing boiler in a multiple connection flue system or multi boiler system with flue gas cascade requires an additional external back draught safety device in the flue gas connection.

When connecting 2 condensing boilers to one chimney on the same floor, the connection piece inlets should be separated by at least 300 mm.

Design and calculations for balanced flue systems with multiple flues are carried out by the relevant manufacturer.

Design and sizing information for connection on the flue gas side (cont.)

Balanced flue system, negative pressure (type C_{43x}, to CEN/TR 1749)



- (C) Flue gas
- (D) Balanced flue system (see below for manufacturers)
- (E) Inspection port
- (F) Pressure compensation aperture
- (G) Minimum clearance to DIN V 18160, paragraph 9.3.1
Check with the flue system manufacturer.

Note

Back draught safety devices must **not** be used for multiple connections under negative pressure.

For multiple connections under negative pressure with Vitodens 100-W, 111-W and 111-F, use only appliances for single connection.

- (A) Effective chimney height relative to the highest positioned Vitodens
- (B) Ventilation air

Balanced flue system, positive pressure – multiple connections with Vitodens 050-W, 100-W, 111-W, 111-F up to 35 kW, 200-W, 222-W, 222-F and 242-F up to 32 kW (type C_{14(3)x} to CEN/TR 1749)

Note

Appliance types not available in all countries

System for room sealed operation, specifically developed for Vitodens 050-W, 100-W, 111-W, 111-F, 200-W, 222-W, 222-F and 242-F.

Note

For multiple connections under positive pressure with Vitodens 100-W, 111-W or 111-F, it is **essential** to install appliance versions for multiple connection.

Appliances for multiple connection are identified by the letter **-M** in the type designation.

For multiple connection of flues to a single balanced flue chimney (balanced flue system, positive pressure) in conjunction with natural gas. Operation with liquid gas is not permissible.

Minimum shaft cross-section:

- Square: 175 × 175 mm
- Round: Ø 195 mm.

C₁₄ only with Skoberne flue system:

The minimum shaft cross-sections relate to max. connections and max. lengths/heights. For fewer connections or shorter lengths/heights, the annular gap may be reduced to a minimum of 15 mm, provided that a calculated verification based on the Skoberne flue system is provided.

Calculation to C₁₀ is not carried out by Viessmann.

Due to the dimensions of the fixing clamp, a minimum shaft cross-section of D = 160 mm or 160 x 160 mm is required!

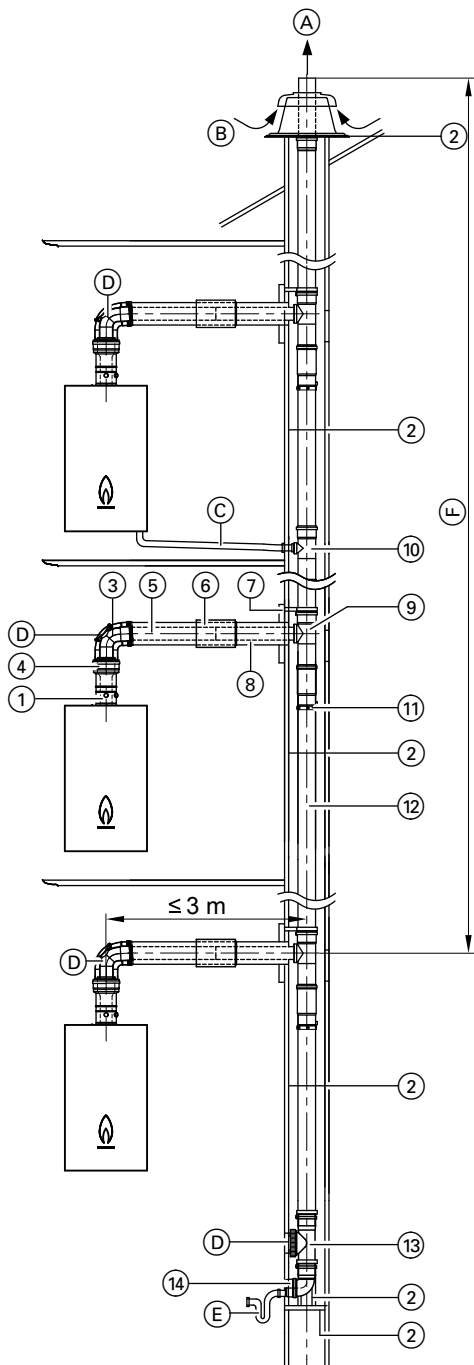
Note

Only the Skoberne flue system must be used for type C₍₁₄₎; in addition, flue systems must not be installed opposite each other.

Only combinations approved by Viessmann are permitted. Other combinations are only permissible for flue gas routing type C₍₁₀₎.

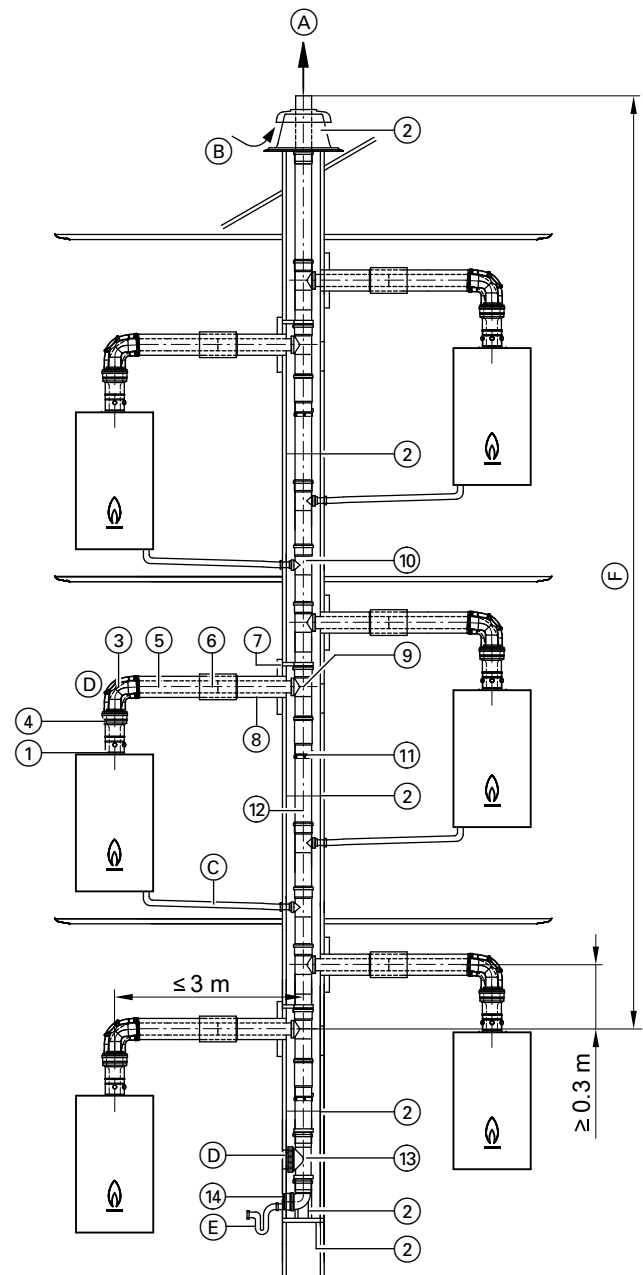
Design and sizing information for connection on the flue gas side (cont.)

2



1 boiler per floor

- (A) Flue gas
- (B) Ventilation air
- (C) Condensate drain into vertical flue pipe
- (D) Inspection port
- (E) Condensate drain with trap (on site)
- (F) Max. flue pipe length (vertical)



2 boiler per floor

- (A) Flue gas
- (B) Ventilation air
- (C) Condensate drain into vertical flue pipe
- (D) Inspection port
- (E) Condensate drain with trap (on site)
- (F) Max. flue pipe length (vertical)

Design and sizing information for connection on the flue gas side (cont.)

		System size Ø mm				System size Ø mm	
①	Boiler flue connection (part of the standard boiler delivery)	80	—	⑦	Wall bezel	80	—
	Back draught safety device 2 back draught safety devices required, for installation in the Vitodens and in the flue system. The internal back draught safety device is already installed in the Vitodens 1xx. Another back draught safety device must be installed directly downstream of the boiler flue connection in the continuing flue pipe (vertical). Must be ordered separately for every boiler	—	—	⑧	Balanced flue pipe 1 m long 0.5 m long	80 80	— —
②	Standard shaft pack (PPs, rigid) Comprising: – Support bend – Support rail – Shaft cover (PPs) – Spacers (3 pce)	—	110	⑨	Connecting assembly, multiple connections Comprising: – Inspection pipe Ø 110 – Flue gas connection Ø 80 – Fixing clamp – Spacer – Long fem. connection Ø 110	—	110
	Spacers (3 pce)	—	110	⑩	Connecting assembly, condensate drain Comprising: – Branch 87° Ø 40 – Fixing clamp – Long fem. connection Ø 110	—	110
③	Balanced flue bend 87° (1 pce) 45° (2 pce) or Balanced flue inspection bend (recommended) 87° (1 pce)	80 80	— —	⑪	Connecting clamp required for every joint in the shaft	—	110
④	Balanced flue adaptor Ø 60/100 to Ø 80/125	80	—	⑫	Flue pipe 2 m long (2 pce @ 2 m = 4 m) 2 m long (1 pce) 1 m long (1 pce) 0.5 m long (1 pce)	— — — —	110 110 110 110
⑤	Balanced flue pipe , straight (1 pce)	80	—		Flue bends (for use in corbelled chimneys) 30° (2 pce) 15° (2 pce)	— —	110 110
⑥	Balanced flue slide coupling Fixing clamp , white (1 pce) (balanced flue pipe)	80 80	— —	⑬	Inspection piece , straight (1 pce)	—	110
				⑭	Condensate drain connection (eccentric) Reduction from Ø 110 mm to Ø 40 mm	—	110

Flue pipe lengths – Vitodens 050-W

1 boilers per floor – system size 110 mm

Number of boilers	2	3	4	5	6
Rated heating output (kW)	Flue pipe length (m)				
25	25	18	9	—	—

2 boilers per floor – system size 110 mm

Number of boilers	2	3	4	5	6
Rated heating output (kW)	Flue pipe length (m)				
25	15	15	5	—	—

Flue pipe lengths – Vitodens 100-W, 111-W, 111-F, 200-W, 222-W, 222-F and 242-F (appliance types not available in all countries)

Up to 6 boilers with the same rated heating output can be connected to one flue system. The flue pipe lengths detailed below are confirmed with the relevant CE designations. If you observe these length specifications you will not need to make a separate flue pipe length calculation.

1 boilers per floor – system size 110 mm

Number of boilers	2	3	4	5	6
Rated heating output (kW)	Flue pipe length (m)				
11	25	25	25	25	21
19	25	25	25	15	—
25	25	25	19	12	—
32	25	25	15	—	—

2 boilers per floor – system size 110 mm

Number of boilers	2	3	4	5	6
Rated heating output (kW)	Flue pipe length (m)				
11	15	15	15	15	15
19	15	15	15	11	6

Design and sizing information for connection on the flue gas side (cont.)

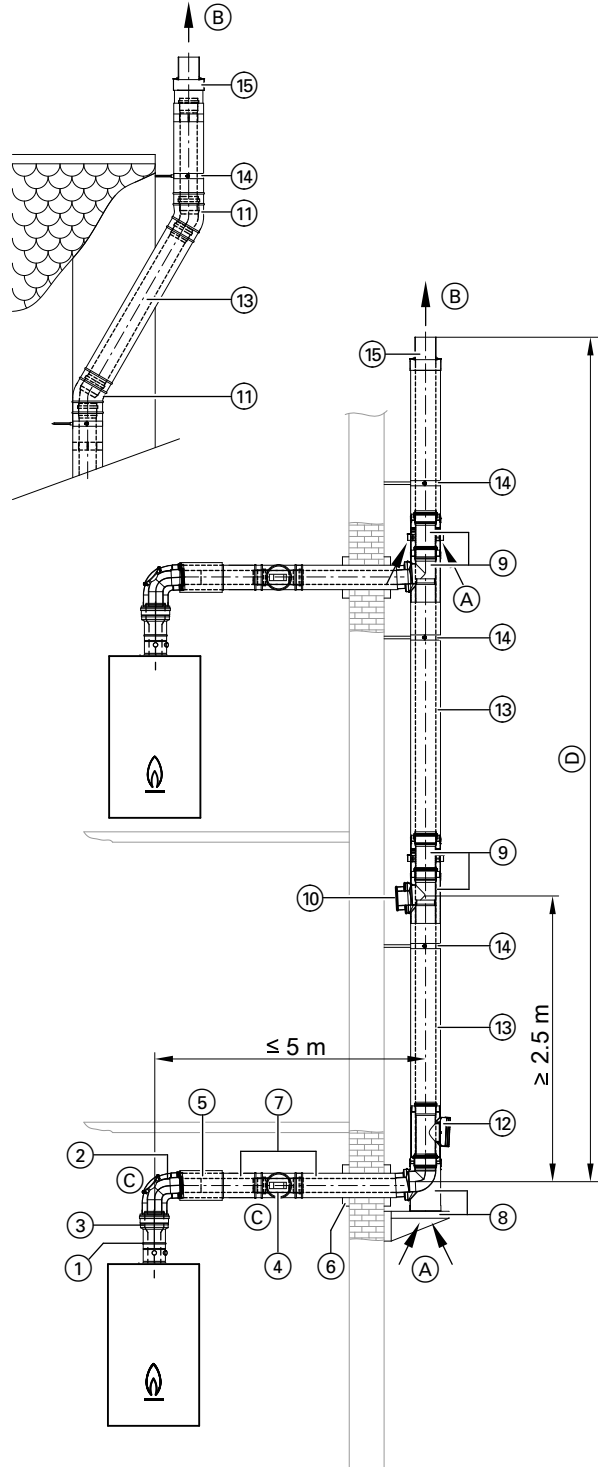
Number of boilers	2	3	4	5	6
Rated heating output (kW)	Flue pipe length (m)				
25	15	15	15	8	—
32	15	15	12	6	—

Common balanced flue header on the external wall – multiple connections with Vitodens 100-W, 200-W, 222-W, 222-F and 242-F up to 32 kW (type C_{13(3)x} to CEN/TR 1749)

Note

Appliance types not available in all countries.

System for room sealed operation, specifically developed for Vitodens 100-W, 200-W, 222-W, 222-F and 242-F. Operation only in conjunction with natural gas, operation with liquid gas is not permissible. Balanced flue header Ø 110/160 mm



1 boiler per floor

- (A) Ventilation air
- (B) Flue gas
- (C) Inspection port
- (D) Max. flue pipe length (see the following pages)

Design and sizing information for connection on the flue gas side (cont.)

		System size Ø mm				System size Ø mm	
①	Boiler flue connection (part of the standard boiler delivery)			⑩	Dummy cover For subsequent connection of a heat generator	80	110
	Back draught safety device 2 back draught safety devices required, for installation in the Vitodens and in the flue system. The internal back draught safety device is already installed in the Vitodens 050-W and Vitodens 1xx-W. Another back draught safety device must be installed directly downstream of the boiler flue connection in the continuing flue pipe (vertical). Must be added to the order for every boiler.	—	—	⑪	Balanced flue bend 87° (1 pce) 45° (2 pce) 30° (2 pce)	—	110 110 110
②	Balanced flue bend 87° (1 pce) 45° (2 pce) or Balanced flue inspection bend 87° (1 pce)	80	—	⑫	Balanced flue inspection piece, straight (1 pce)	—	110
		80	—		Balanced flue slide coupling	—	110
③	Balanced flue adaptor Ø 60/100 to Ø 80/125	80	—	⑬	Balanced flue pipe 2 m long (1 pce) 1 m long (1 pce) 0.5 m long (1 pce)	—	110 110 110
④	Balanced flue inspection piece (recommended), straight (1 pce)	80	—	⑭	Wall clamp, adjustable	—	110
⑤	Balanced flue slide coupling	80	—		Fixing clamp, white (balanced flue pipe)	—	110
	Fixing clamp, white (1 pce) (balanced flue pipe)	80	—	⑮	Terminal, balanced flue header For installation without roof outlet	—	110
⑥	Wall bezel	80	—		Universal cover plate For balanced flue roof outlet	—	110
⑦	Balanced flue pipe 1.95 m long 1 m long 0.5 m long	80	—		Wall bezel For flat roof outlet	—	110
		80	—		Balanced flue roof outlet with fixing clamp Colour: Black or Colour: Terracotta	—	110
		80	—				
⑧	Connecting assembly, multiple connections, base Comprising: – Connection, multiple connections – Mounting bracket	—	110				
⑨	Connecting assembly, multiple connections, upper floor Comprising: – Connection, multiple connections – Air inlet piece – Integral condensate trap for sectional condensate drainage	—	110				

Note

The base connecting assembly for multiple connections must be installed at the interface to the last heat generator. If an additional heat generator is to be subsequently installed below the already installed base connecting assembly for multiple connections, move the connecting assembly accordingly.
Operation with liquid gas is not permissible.

Flue pipe lengths – Vitodens 100-W and 111-W

Up to 6 boilers with the same rated heating output can be connected to one flue system. The flue pipe lengths detailed below are confirmed with the relevant CE designations. If you observe these length specifications you will not need to make a separate flue pipe length calculation.

Number of boilers	2	3	4	5	6
Rated heating output (kW)	Flue pipe length (m)				
11	25	25	25	25	23
19	25	25	25	17	—
25	25	25	21	13	—
32	25	25	17	—	—

Flue pipe lengths – Vitodens 200-W, 222-W, 222-F and 242-F (appliance types not available in all countries)

Up to 6 boilers with the same rated heating output can be connected to one flue system.

Max. flue length: 25 m vertically and 5 m horizontally (connection piece)

These flue pipe lengths are confirmed with the relevant CE designations. If you observe these length specifications you will not need to make a separate flue pipe length calculation.

Design and sizing information for connection on the flue gas side (cont.)

Number of boilers	2	3	4	5	6
Rated heating output (kW)	Flue pipe length (m)				
11	25	25	25	25	23
19	25	25	25	17	—
25	25	25	21	13	—
32	25	25	17	—	—

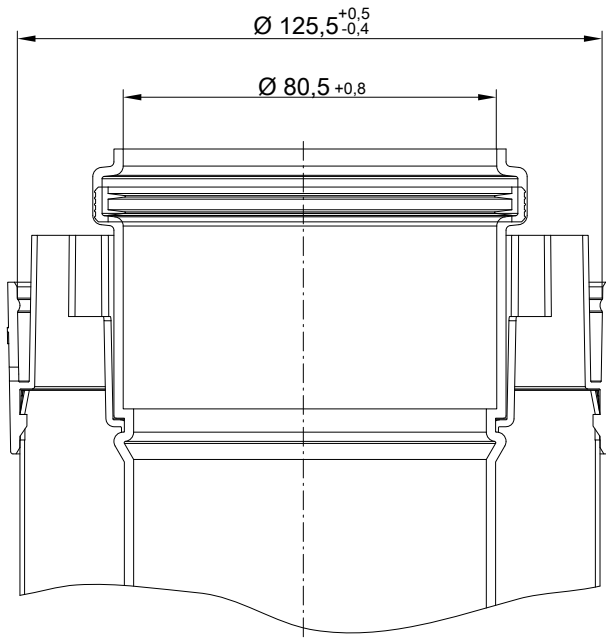
2.11 Third party flue systems for multiple connection, type C₍₁₀₎

The heat generators are designed to be connected to a flue header system.

If one heat generator is operating at the maximum rated heating output (Q_n max) and another at the minimum rated heating output (Q_n min), the static pressure in the air header must be 25 Pa higher than the static pressure in the flue header.

The length of the connection pipe between the heat generator and flue header should be a minimum of 0.5 m and a maximum of 3 m.

For shape of end piece, see sketch:



Design basis:

- Flue gas mass flow rate at maximum rated heat input
- Flue gas mass flow rate at lowest heat input
- CO₂ or O₂ content of flue gases under rated operating conditions
- Minimum permissible pressure differential between flue gas outlet and air inlet

Note

The relevant information can be found in the technical guide for the heat generator.

The flue system must be suitable for the values specified for the "C₍₁₀₎ design basis". For calculating the system, a flue gas temperature of 25 °C at the inlet to the vertical flue gas header is assumed. A condensate return to the appliance is permitted.

- Due to the flue gas being extracted under positive pressure, any reverse flow of flue gas through off-line heat generators must be effectively prevented. 2 back draught safety devices are required for this, for installation in the Vitodens and in the flue system.
- With the Vitodens 100-W, one back draught safety device is already installed in the boiler. A further back draught safety device must be installed in the flue system.
- The back draught safety devices must be added to the order for every boiler.

Maximum permissible reverse flow of flue gas of 10 % in windy conditions.

If one heat generator is operating at the max. rated heating output (Q_n max) and another at the min. rated heating output, the max. permissible pressure differential between flue gas outlet and air inlet on entry into the header system must not be exceeded.

The flue gas header must be suitable for a positive pressure of at least 200 Pa.

No draught extraction/draught hood must be installed in the flue system.

Note

The flue gas mass flow rate at maximum heat input must be stated for every connection point. The wind protector for the header must be designed so that it generates an air draught.

A type plate containing the following information must be attached to each connection interface:

- The header system is suitable for boilers of type C₍₁₀₎.
- Maximum permissible flue gas mass flow rate.
- Dimensions of the flue gas connection to the header.
- A warning notice: If the heat generator is disconnected from the flue system, the air and flue inlets must be closed and checked for leaks. The name of the flue system manufacturer or an unambiguously identifiable symbol must be visible on the connection interface.

2.12 Plastic (PPs) flue pipe for routing through a shaft – open flue operation (type B according to CEN/TR 1749)

Open flue operation requires a flue pipe as a connection piece between the Vitodens and the shaft as well as for routing through the shaft.

Installation only in rooms with a ventilation air aperture with an open cross-section of at least 150 cm² or 2 × 75 cm² (according to CEN/TR 1749).

Note

Install the Vitodens 200-W, from 60 kW, and multi boiler systems in accordance with the FeuVO [check local fire regulations] in a separate installation room with a suitable ventilation air aperture. The cross-section must be at least 150 cm² and should be 2 cm² larger for each kW above 50 kW rated heating output. This cross-section may not be split over more than 2 vents (FeuVO and CEN/TR 1749 – check local fire regulations).

The flue system is connected to the boiler flue connection.

Design and sizing information for connection on the flue gas side (cont.)

The combustion air is drawn from the installation room via the annular gap in the boiler flue connection.

For routing through shafts or ducts with longitudinal ventilation which meet the requirements for domestic chimneys to DIN V 18160-1, or which have a fire rating of 90 minutes (L90), or a fire rating of 30 minutes (L30) for buildings in categories 1 and 2.

Prior to installation, the relevant flue gas inspector should check that the shaft to be used is suitable and approved for this purpose.

Close off and seal any other connection apertures with appropriate materials.

This does not apply to any cleaning or inspection apertures that are provided with chimney cleaning covers and that are identified with an appropriate test mark.

Check prior to installation whether the shaft runs straight from top to bottom or if it is offset (check with mirrors).

If the chimney is offset, we recommend the installation of a flexible flue pipe (see page 39).

Before commissioning the flue system, the responsible flue gas inspector must perform a tightness test.

In the case of **open** flue operation, this can **only** be done by means of a pressure test.

Inside the installation room, at least one inspection port for checking and cleaning as well as for checking the pressure must be provided in the flue system.

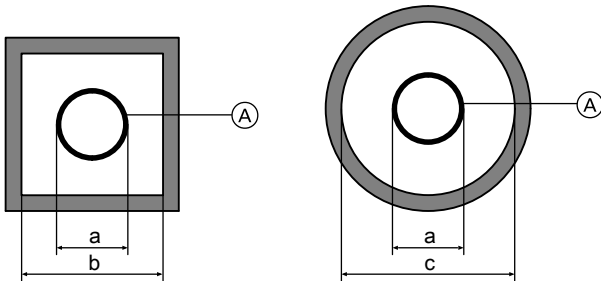
If the flue is inaccessible from the roof, a second inspection port must be provided in the attic behind the chimney cleaning hatch.

Safeguard the unrestricted draining of the condensate from the flue into the boiler through an appropriate fall of at least 3°.

The flue system must protrude above the roof line. Observe the roof protrusion parallel to the roof slope in accordance with the Landes-FeuVO [check local fire regulations].

Alternative CE designated flue pipes may be used, e.g. if a larger pipe diameter is required for longer flue lengths. In that case, the performance verification to EN 13384 should be provided by the relevant flue pipe manufacturer.

Internal shaft dimensions



Minimum internal shaft dimensions

System size (A)	External diameter, female connection a Ø mm	Minimum internal shaft dimensions	
		b Square or rectangular (short side) mm	c Round Ø mm
60 (rigid)	73	113	133
60 (flexible, shaft cover PPs)	72	112	132
60 (flexible, shaft cover metal)	87	140	147
80 (rigid)	94	135	155
80 (flexible, shaft cover PPs)	102	142	162
80 (flexible, shaft cover metal)	116	165	176
110 (rigid)	128	170	190
110 (flexible, shaft cover PPs)	127	167	187
110 (flexible, shaft cover metal)	142	182	202
125 (rigid)	145	185	205
160 (rigid)	184	224	244
200 (rigid)	227	267	287
250 (rigid)	273	313	333

Max. number of bends:

■ 87°: 3 pce

or

■ 45°: 3 pce

or

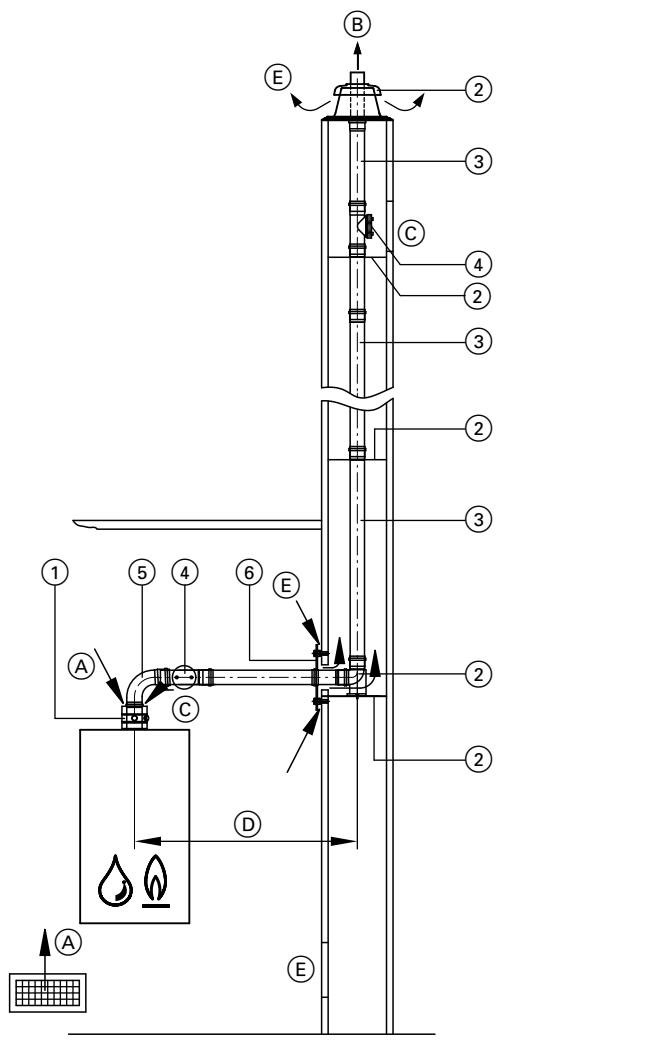
■ 30°: 4 pce

or

■ 15°: 4 pce

Design and sizing information for connection on the flue gas side (cont.)

Flue, system size 60, 80 and 110 (components) (type B₂₃ /B₃₃ to CEN/TR 1749)



- (A) Ventilation air
For sizing the ventilation air aperture, see page 36
- (B) Flue gas
- (C) Inspection port
- (D) Connection piece
- (E) Secondary ventilation

	System size Ø mm		
	60	80	110
① Boiler flue connection (part of the standard boiler delivery)	60	80	110
② Standard shaft pack (PPs, rigid) Comprising: – Support bend – Support rail – Shaft cover – Spacers (5 pce, max. distance 5 m) or Standard shaft pack (metal/PPs, rigid) For twin flue chimneys; one flue for solid fuel boilers Comprising: – Support bend – Support rail – Shaft cover (metal) – Terminal pipe (stainless steel) – Spacers (5 pce, max. distance 5 m)	60	80	110
Spacers (3 pce, max. distance 5 m)	60	80	110
③ Flue pipe 1.95 m long (2 pce @ 1.95 m = 3.9 m) 1.95 m long (1 pce) 1 m long (1 pce) 0.5 m long (1 pce)	60	80	110
④ Inspection piece , straight (1 pce)	60	80	110
⑤ Flue bends 87° (1 pce) 45° (2 pce) or Inspection tee 87° (1 pce) or Inspection bend 87° (1 pce)	60	80	110
⑥ Ventilation bezel (1 pce)	60	80	110
Flue bend (for use in corbelled chimneys) 30° (2 pce) 15° (2 pce)	60	80	110
Stainless steel extension , 380 mm long for shaft cover, standard shaft pack (metal/PPs, rigid)	60	80	110
Extension – Ø 60 mm to Ø 80 mm – Ø 80 mm to Ø 110 mm	60 –	80 80	– 110

Max. total flue length

Vitodens 100-W and 111-W

Rated heating output	kW	11	19	25	32
Max. length – system size 60	m	30	30	30	30
Max. length – system size 80* ¹	m	30	30	30	30

Vitodens 200-W, 222-F, 222-W and 242-F (appliance types not available in all countries)

Rated heating output	kW	11	19	25	32
Max. length – system size 60	m	30	30	30	30
Max. length – system size 80* ¹	m	30	30	30	30

*¹ Alternative system size. Balanced flue adaptor must be ordered separately.

Design and sizing information for connection on the flue gas side (cont.)

Vitodens 200-W, from 49 kW

Rated heating output	kW	49	60	80	99	120	150
Max. length – system size 80	m	20	15	—	—	—	—
Max. length – system size 110	m	25 ^{*1}	20 ^{*1}	20	20	20	20

The following components are taken into consideration for the maximum flue lengths:

- Connection pipe (D) 1 m long.
- 1 bend 87° and 1 support bend 87°
or
- 2 bends 45° and 1 support bend 87°

For other bends, tees and straight lengths, subtract the following values from the maximum length:

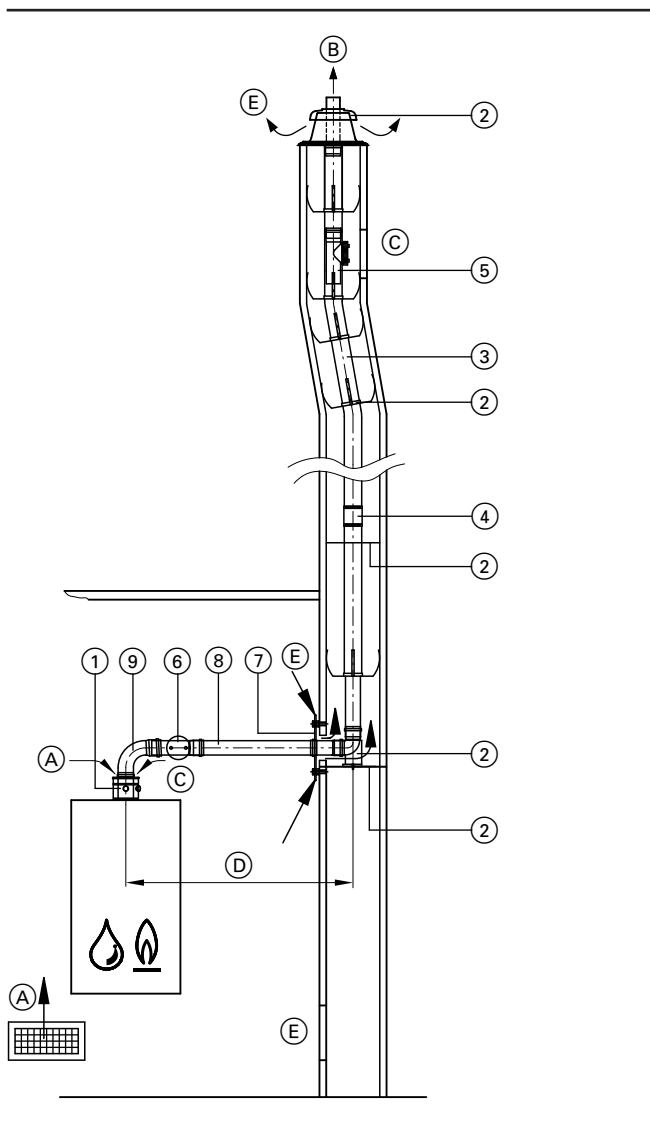
- Connection pipe 0.5 m long: 0.5 m
- Connection pipe 1 m long: 1 m

- Bend 45°: 0.3 m
- Bend 87°: 0.5 m
- Inspection tee: 0.5 m

Note

Observe the specifications for internal shaft dimensions: See page 37.

Flexible flue, system size 60, 80 and 110 (components) (type B₂₃ according to CEN/TR 1749)



- (A) Ventilation air
Ventilation air aperture, min. 150 cm² or 2 × 75 cm²
- (B) Flue gas
- (C) Inspection port
- (D) Connection piece
- (E) Secondary ventilation

		System size Ø mm		
		60	80	110
(1)	Boiler flue connection (part of the standard boiler delivery)	60	80	110
(2)	Standard shaft pack (PPs, flexible) Comprising: – Support bend – Support rail – Shaft cover – Spacers (5 pce, max. distance 2 m)	60	80	110
	Standard shaft pack (metal/PPs, flexible) For twin flue chimneys; one flue for solid fuel boilers Comprising: – Support bend – Support rail – Shaft cover (metal) – Terminal pipe (stainless steel) – Spacers (5 pce, max. distance 2 m)	60	80	110
	Spacers (5 pce, max. distance 2 m)	60	80	110
(3)	Flue pipe, flexible , as a 12.5 or 25 m roll	60	80	110
(4)	Connection piece for connecting residual lengths of the flexible flue	60	80	110
(5)	Inspection piece , straight for installation in the flexible flue pipe	60	80	110
	Pipe lowering attachment with 25 m rope	60	80	110
(6)	Inspection piece , straight (1 pce)	60	80	110
(7)	Ventilation bezel (1 pce)	60	80	110
(8)	Flue pipe 1 m long (1 pce) 0.5 m long (1 pce)	60	80	110
(9)	Flue bends 87° (1 pce) 45° (2 pce) or Inspection tee 87° (1 pce) or Inspection bend 87° (1 pce)	60	80	80
	Stainless steel extension , 380 mm long for shaft cover, standard shaft pack (metal/PPs, flexible)	60	80	110

5414641

^{*1} Alternative system size. Balanced flue adaptor must be ordered separately.

Design and sizing information for connection on the flue gas side (cont.)

Extension	System size Ø mm		
	– Ø 60 mm to Ø 80 mm – Ø 80 mm to Ø 110 mm	60 –	80 80

Note

The flexible flue pipe may be routed at a max. angle from vertical of 45°.

Max. total flue length

Vitodens 100-W and 111-W

Rated heating output	kW	11	19	25	32
Max. length – system size 60	m	10	10	10	10
Max. length – system size 80 ^{*1}	m	15	15	15	15

Vitodens 200-W, 222-F, 222-W and 242-F

Rated heating output	kW	11	19	25	32
Max. length – system size 60	m	18	—	—	—
Max. length – system size 80 ^{*1}	m	25	25	25	25

Vitodens 200-W, from 49 kW

Rated heating output	kW	49	60	80	99	120	150
Max. length – system size 80	m	20	15	—	—	—	—
Max. length – system size 110	m	22 ^{*1}	17 ^{*1}	20	20	20	20

The following components are taken into consideration for the maximum flue lengths:

- Connection pipe (D) 0.5 m long.
- 1 bend 87° and 1 support bend 87°
or
- 2 bends 45° and 1 support bend 87°

- Bend 45°: 0.3 m
- Bend 87°: 0.5 m
- Inspection tee: 0.5 m

Note

Observe the specifications for internal shaft dimensions: See page 37.

For other bends, tees and straight lengths, subtract the following values from the maximum length:

- Connection pipe 0.5 m long: 0.5 m
- Connection pipe 1 m long: 1 m

Special version: Open flue operation with combustion air supply via interconnected rooms for Vitodens up to 32 kW (type B₃₃ to CEN/TR 1749)

The Vitodens may also be installed in the living space and be operated in open flue mode, subject to the following conditions being met:

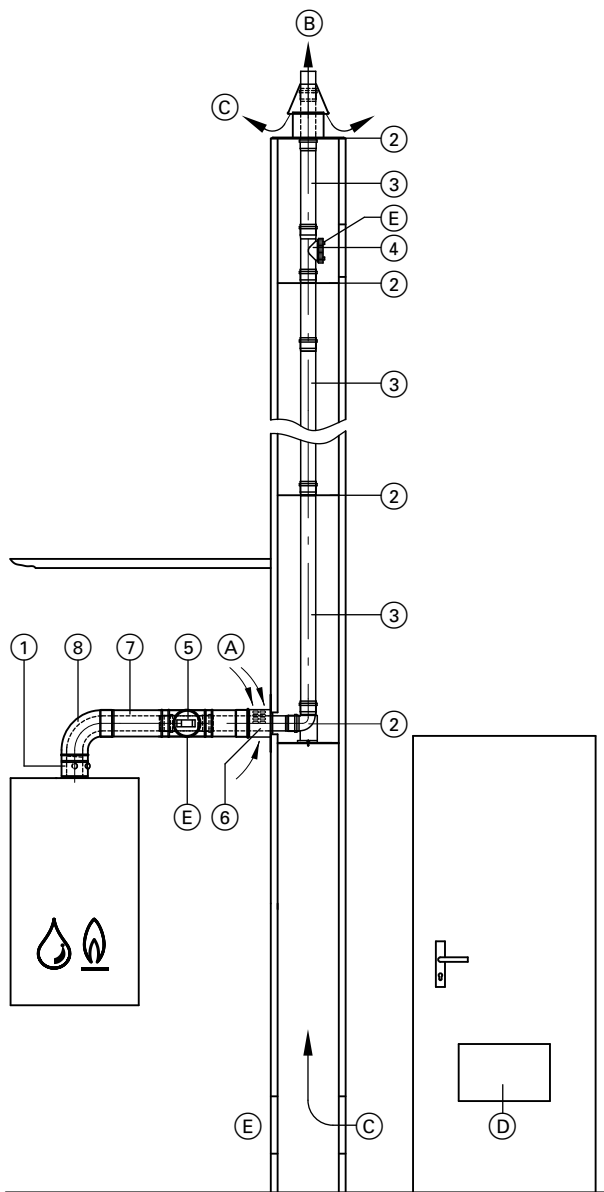
- The shaft connection piece is constructed as a balanced flue pipe and the combustion air is drawn directly from the room via an aperture at the chimney inlet (air inlet adaptor, see page 52).
- An adequate combustion air supply must be ensured inside the room by means of an interconnected combustion air supply:
 - Minimum volume of the interconnected rooms, 4 m³ per kW rated heating output
 - Apertures in the connecting doors min. 150 cm²

When routing through shafts, the same conditions apply as for the routing of flue systems through a shaft, see page 36.

For calculation of the max. total flue pipe length, see page 38.

^{*1} Alternative system size. Balanced flue adaptor must be ordered separately.

Design and sizing information for connection on the flue gas side (cont.)



- (A) Ventilation air
- (B) Flue gas
- (C) Secondary ventilation
- (D) Aperture for interconnected rooms (min. 150 cm²)
- (E) Inspection port

		System size Ø mm	
①	Boiler flue connection (part of the standard boiler delivery)	60	80
②	Standard shaft pack (PPs, rigid) Comprising: – Support bend – Support rail – Shaft cover – Spacers (5 pce, max. distance 5 m) or Standard shaft pack (metal/PPs, rigid) For twin flue chimneys; one flue for solid fuel boilers Comprising: – Support bend – Support rail – Shaft cover (metal) – Terminal pipe (stainless steel) – Spacers (5 pce, max. distance 5 m)	60	80
	Spacers (3 pce, max. distance 5 m)	60	80
③	Flue pipe 1.95 m long (2 pce @ 1.95 m = 3.9 m) 1.95 m long (1 pce) 1 m long (1 pce) 0.5 m long (1 pce)	60	80
	Flue bend (for use in corbelled chimneys) 30° (2 pce) 15° (2 pce)	60	80
④	Inspection piece, straight (1 pce)	60	80
⑤	Balanced flue inspection piece, straight (1 pce)	60	80
⑥	Balanced flue air inlet adaptor 80/125 mm Ø (type B ₃₃ to CEN/TR 1749)	60	80
⑦	Balanced flue pipe 1 m long 0.5 m long	60	80
⑧	Flue bends 87° (1 pce) 45° (2 pce) or Balanced flue inspection bend, 87° (1 pce)	60	80
	Stainless steel extension, 380 mm long for shaft cover, standard shaft pack (metal/PPs, rigid)	60	80

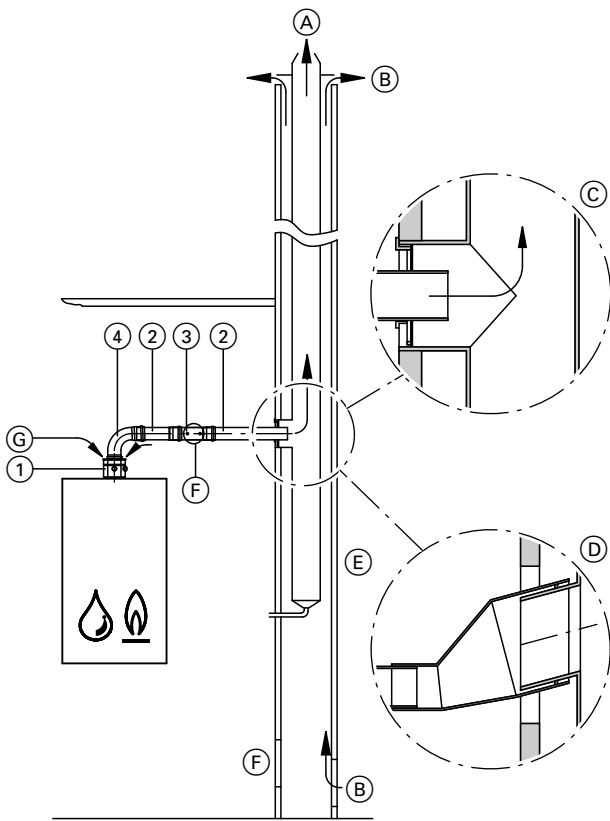
Connection to a moisture-resistant chimney (MR chimney negative pressure) with a plastic (PPs) flue pipe (type B_{23x}, to CEN/TR 1749)

Vitodens condensing boilers may be connected to moisture-resistant chimneys to EN 13384, provided the chimney manufacturer can verify their suitability based on the stated flue gas values and taking local conditions into consideration (e.g. heating water return temperature, design of the pipe connection piece, etc.).

The connection piece must consist of a moisture-resistant flue pipe that has been approved by the building inspectorate. For this, you can use the plastic (PPs) flue system offered as an accessory to the Vitodens. Safeguard the unrestricted draining of the condensate from the flue into the boiler through an appropriate fall of at least 3°.

The adaptor from the flue pipe to the MR chimney must be purchased from the chimney manufacturer.

Design and sizing information for connection on the flue gas side (cont.)



- Ⓐ Flue gas
- Ⓑ Secondary ventilation
- Ⓒ For example: Flue outlet adaptor from Schiedel or Wienerberger
- Ⓓ For example: Flue outlet adaptor from Plewa
- Ⓔ Moisture-resistant chimney
- Ⓕ Inspection port
- Ⓖ Ventilation air

		System size Ø mm		
①	Boiler flue connection (part of the standard boiler delivery)	60	80	110
②	Flue pipe			
	1.95 m long (2 pce @ 1.95 m = 3.9 m)	60	80	110
	1.95 m long (1 pce)	60	80	110
	1 m long (1 pce)	60	80	110
	0.5 m long (1 pce)	60	80	110
③	Inspection piece, straight (1 pce)	60	80	110
④	Flue bends	60	80	110
	87° (1 pce)			
	or			
	Inspection tee	60	80	—
	87° (1 pce)			
	or			
	Inspection bend	—	—	110
	87° (1 pce)			

Multi boiler systems with pressurised flue systems (open flue operation)

Vitodens 050-W, 100-W, 111-W, Vitodens 200-W, Vitodens 222-W, 222-F and 242-F

The following gas condensing boilers with the same rated heating output may be connected to a common flue pipe under positive pressure:

- Max. 4 Vitodens 050-W, 100-W, 111-W, 111-F and 141-F up to 32 kW
- Max. 4 Vitodens 200-W, 222-W, 222-F and 242-F up to 32 kW
- Max. 6 Vitodens 200-W, 49 to 99 kW

The max. output is 594 kW. The Vitodens 050-W, 100-W, 111-W, 200-W, 222-W, 222-F and 242-F multi boiler systems with common flue systems under positive pressure are designed for open flue operation (type B).

Installation requirements

Combustion air apertures

Gas equipment with a total rated heating output in excess of 50 kW must be provided with combustion air apertures leading to the outside. The cross-section must be at least 150 cm² and should be 2 cm² larger for each kW above 50 kW rated heating output. This cross-section may not be split over more than 2 vents (please check FeuVO and CEN/TR 1749 – local fire regulations).

Example:

Vitodens 200-W, 3 × 80 kW
 Total rated heating output 240 kW
 $150 \text{ cm}^2 + ((240 \text{ kW} - 50 \text{ kW}) \times 2 \text{ cm}^2/\text{kW}) = 530 \text{ cm}^2$
 or $2 \times 265 \text{ cm}^2$.

The combustion air apertures should measure at least 530 cm² or $2 \times 265 \text{ cm}^2$.

Installation clearances

For straightforward installation, we recommend a clearance of approx. 100 to 150 mm between the gas condensing system boilers. For Vitodens 200-W multi boiler systems, 49 to 99 kW, in conjunction with a hydraulic cascade, this clearance must be 100 mm.

Flue gas back draught safety device

The flue gas back draught safety device is installed in the boiler (mixing duct). In the delivered condition of the Vitodens 100-W up to 32 kW and the Vitodens 200-W from 49 kW, the flue gas back draught safety device is already installed.

When the boiler is operational, the diaphragm of the flue gas back draught safety device is lifted by the positive pressure of the variable speed fan, which opens the path into the boiler mixing shaft. When the boiler is not in use, the flue gas back draught safety device closes the mixing shaft, which prevents the flue gas passing back into the boiler.

Design and sizing information for connection on the flue gas side (cont.)

Approval

The gas condensing boilers Vitodens 050-W, 100-W, Vitodens 111-W, 111-F, 141-F, Vitodens 200-W, Vitodens 222-W, 222-F and 242-F are tested and certified together with the flue system.

The flue pipe is CE designated.

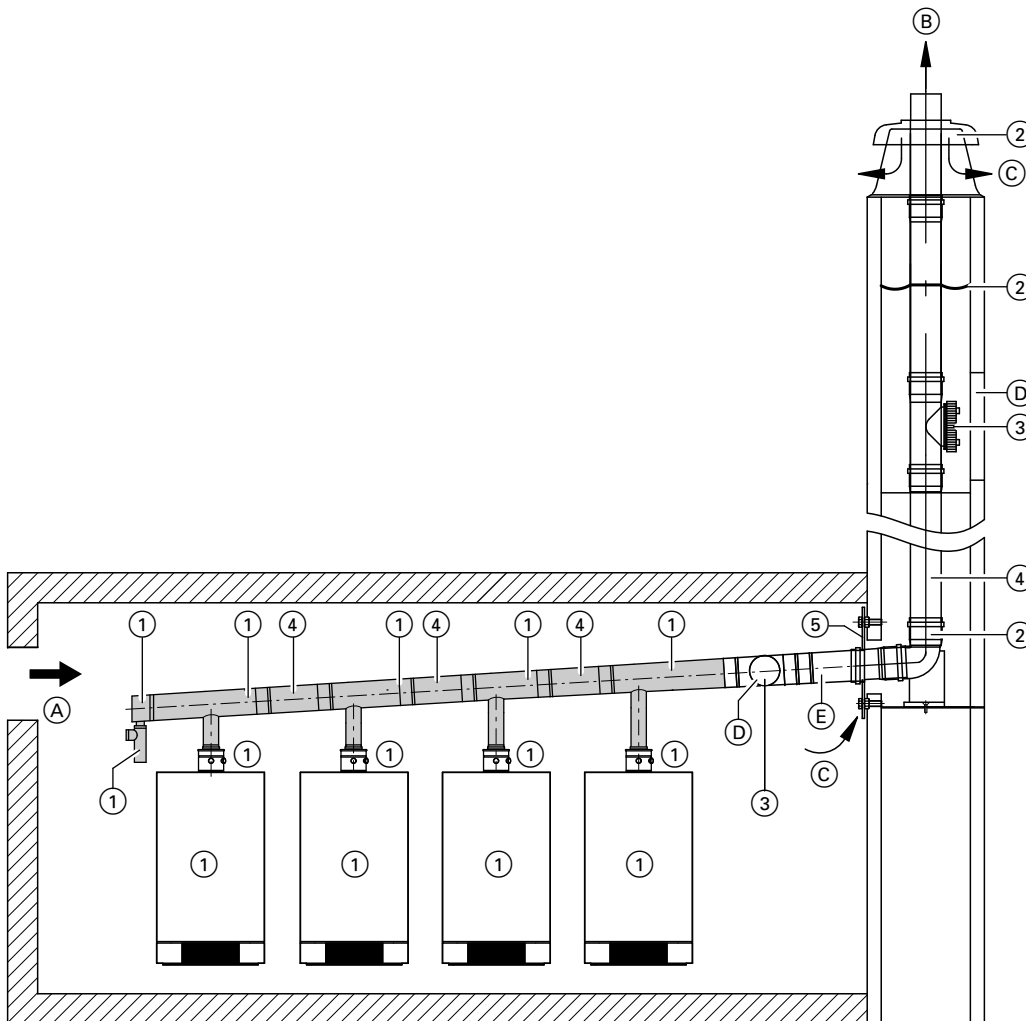
Inspection port

The FeuVO [check local fire regulations] requires the installation of an inspection port inside the installation room.

Use an inspection port appropriate for the selected flue pipe diameter.

Components and pipe lengths

Vitodens to 32 kW



- (A) Ventilation air
- (B) Flue gas
- (C) Secondary ventilation

- (D) Inspection port
- (E) Connection line

Standard delivery, flue gas cascade:

- | | |
|---|--|
| ① | Flue gas cascade Ø 110 or 160 mm
– 2 back draught safety devices for each boiler*2
– Flue gas collector
– Terminal with trap and condensate hose |
| ② | Standard shaft pack Ø 110 or 160 mm
Comprising:
– Support bend
– Support rail
– Shaft cover
– Spacers (3 pce, max. distance 5 m) |

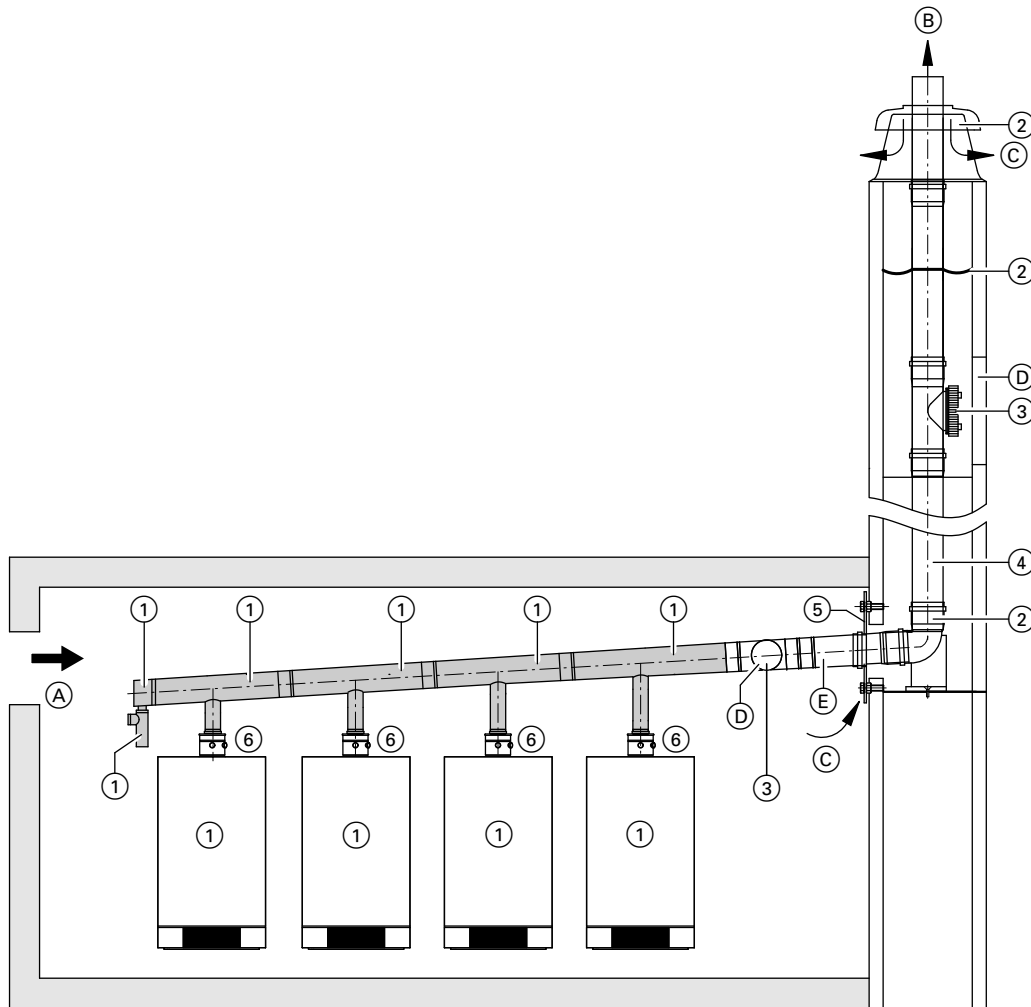
- | | |
|---|---|
| ③ | Inspection piece Ø 110 or 160 mm |
| ④ | Flue pipe Ø 110 or 160 mm
2 m long (2 pce = 4 m long)
2 m long (1 pce)
1 m long (1 pce)
0.5 m long (1 pce) |
| ⑤ | Ventilation bezel Ø 110 or 160 mm |

The inspection piece and all other flue gas accessories should be ordered specifically for each system.

*2 In the delivered condition of the Vitodens 100-W, one of the back draught safety devices is already installed in the boiler. The 2nd back draught safety device must be installed directly downstream of the boiler flue connection in the continuing flue pipe (vertical).

Design and sizing information for connection on the flue gas side (cont.)

Vitodens 200-W from 49 kW



- (A) Ventilation air
- (B) Flue gas
- (C) Secondary ventilation

- (D) Inspection port
- (E) Connection line

Standard delivery, flue gas cascade:

①	Flue gas cascade Ø 160, 200 or 250 mm – Back draught safety device (installed in the boiler in the delivered condition) – Flue gas collector – Terminal with trap and condensate hose
---	--

Further accessories (from Ø 200 mm see Vitocrossal 300 pricelist):

②	Standard shaft pack Ø 160, 200 or 250 mm Comprising: – Support bend – Support rail – Shaft cover – Spacers (3 pce, max. distance 5 m)
---	---

③	Inspection piece Ø 160, 200 or 250 mm
④	Flue pipe Ø 160, 200 or 250 mm 2 m long (2 pce = 4 m long) 2 m long (1 pce) 1 m long (1 pce) 0.5 m long (1 pce)
⑤	Ventilation bezel Ø 160, 200 or 250 mm
⑥	Back draught safety device ^{*3} – Back draught safety device and coding card

The inspection piece and other flue gas accessories should be ordered specifically for the system (Ø 200 and 250 mm, see pricelist for flue system for Vitocrossal).

Max. total flue length

Vitodens 100-W and 111-W, inline formation

Rated heating output	kW	2 x 19	3 x 19	4 x 19	2 x 25	3 x 25	4 x 25	2 x 32	3 x 32	4 x 32
Max. total flue length										
- System size 110 mm	m	25	25	25	25	25	21	25	25	17

^{*3} Must be added to the order for every boiler. The 2nd back draught safety device must be installed directly downstream of the boiler flue connection in the continuing flue pipe (vertical).

Design and sizing information for connection on the flue gas side (cont.)

Vitodens 200-W, 222-W, 222-F and 242-F up to 32 kW in series installation (appliance types not available in all countries)

Rated heating output	kW	2 x 11	3 x 11	4 x 11	2 x 19	3 x 19	4 x 19	2 x 25	3 x 25	4 x 25	2 x 32	3 x 32	4 x 32
Max. length of horizontal connection pipe (between flue gas collector and shaft)													
- System size 110 mm	m	25	25	25	25	25	25	25	25	21	25	25	17
- System size 160 mm	m	25	25	25	25	25	25	25	25	25	25	25	25

Vitodens 200-W from 49 kW, inline formation

Rated heating output	kW	2 x 49/60	2 x 80/99	3 x 49/60	3 x 80/99	4 x 49/60	4 x 80/99	5 x 49/60	5 x 80/99	6 x 49/60	6 x 80/99
Max. length of horizontal connection pipe (between flue gas collector and shaft)											
- System size 160 mm	m	4	—	4	—	—	—	—	—	—	—
- System size 200 mm	m	—	4	—	4	4	4	—	—	—	—
- System size 250 mm	m	—	—	—	—	—	—	4	4	4	4
Max. pipe length inside the shaft											
- System size 160 mm	m	26	—	26	—	—	—	—	—	—	—
- System size 200 mm	m	—	26	—	26	26	26	—	—	—	—
- System size 250 mm	m	—	—	—	—	—	—	26	26	26	26
Max. total flue length											
- System size 160 mm	m	30	—	30	—	—	—	—	—	—	—
- System size 200 mm	m	—	30	—	30	30	30	—	—	—	—
- System size 250 mm	m	—	—	—	—	—	—	30	30	30	30

Vitodens 200-W from 49 kW, block formation

Rated heating output	kW	4 x 49/60	4 x 80/99	6 x 49/60	6 x 80/99
Max. length of horizontal connection pipe (between flue gas collector and shaft)					
- System size 200 mm	m	4	—	—	—
- System size 250 mm	m	—	4	4	4
Max. pipe length inside the shaft					
- System size 200 mm	m	26	—	—	—
- System size 250 mm	m	—	26	26	26
Max. total flue length					
- System size 200 mm	m	30	—	—	—
- System size 250 mm	m	—	30	30	30

Note

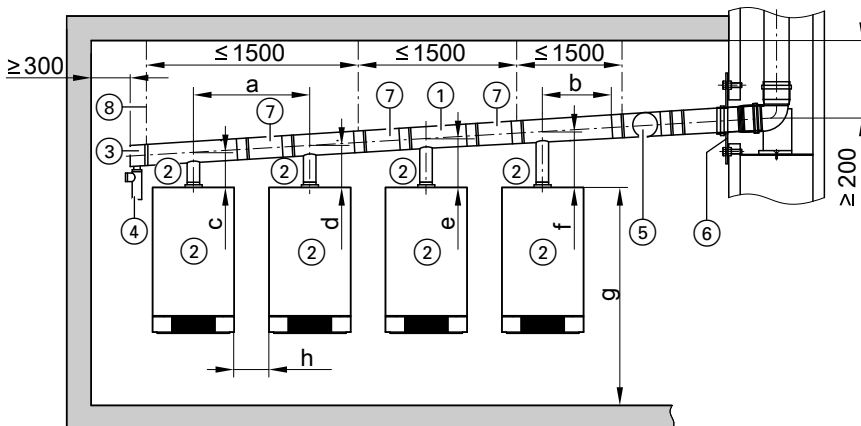
The flue gas parameters for single boilers can be used for the flue system calculation (see Vitodens technical guide).

The pressure drop of the flue gas back draught safety device has already been taken into account and does not have to be factored into the calculation.

The maximum operating pressure according to DVGW G 635 is not taken into account.

Siting and dimensions

Inline formation — 2 to 4 boilers up to 32 kW



Design and sizing information for connection on the flue gas side (cont.)

- | | |
|---|--|
| ① Flue gas collector | ⑤ Inspection piece |
| ② Back draught safety devices* ⁴ | ⑥ Ventilation bezel |
| ③ Terminal with condensate drain | ⑦ Flue gas header extension (only for Vitodens 222-W, 222-F and 242-F) |
| ④ Trap with hose | ⑧ Brackets with suitable fixing materials |

Note

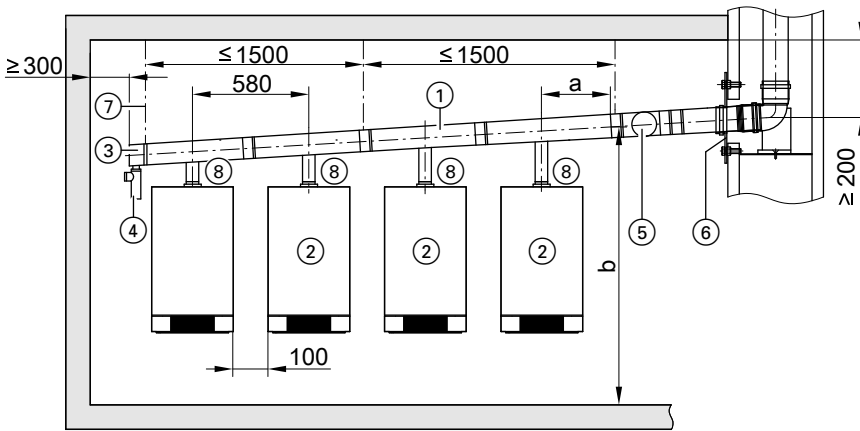
- Back draught safety device ② is installed in each boiler.
- For Vitodens 222-W with the shaft positioned on the left, insert an additional flue gas collector extension ⑦ upstream of the end piece with condensate drain ③.

Header Ø mm	a mm	b mm	c mm	d mm	e mm	f mm	g ^{*5} mm	h mm
110								
– Vitodens 100-W	580	280	153	183	213	243	1700	180
– Vitodens 111-W	700	280	133	170	207	244	1700	100
– Vitodens 200-W up to 32 kW	580	280	153	183	213	243	1700	130
– Vitodens 222-W	700	280	133	170	207	244	1700	100
– Vitodens 222-F and 242-F (appliance types not available in all countries)	700	280	133	170	207	244	—	100
160								
– Vitodens 200-W up to 32 kW	580	215	255	285	315	345	1700	130
– Vitodens 222-W	700	215	234	271	308	345	1700	100
– Vitodens 222-F and 242-F (appliance types not available in all countries)	700	215	221	258	295	332	—	100

Route the flue gas collector with a fall of at least 3°.

The vertical pipes must be trimmed accordingly.

Inline formation — 2 to 6 boilers from 49 kW



- | | |
|---|--|
| ① Flue gas collector Ø 160, 200 or 250 mm | ⑤ Inspection piece Ø 160, 200 or 250 mm |
| ② Back draught safety device (installed) | ⑥ Ventilation bezel |
| ③ Terminal with condensate drain | ⑦ Brackets with suitable fixing materials |
| ④ Trap with hose | ⑧ Back draught safety device and coding card* ⁶ |

Note

In the delivered condition of the Vitodens 200-W from 49 kW, the back draught safety device ② is installed in the boiler. The 2nd back draught safety device ⑧ must be added to the order for every boiler.

*⁴ In the delivered condition of the Vitodens 100-W, one of the back draught safety devices is already installed in the boiler. The 2nd back draught safety device must be installed directly downstream of the boiler flue connection in the continuing flue pipe (vertical).

*⁵ Recommendation for installation height.

*⁶ The 2nd back draught safety device must be installed directly downstream of the boiler flue connection in the continuing flue pipe (vertical).

Design and sizing information for connection on the flue gas side (cont.)

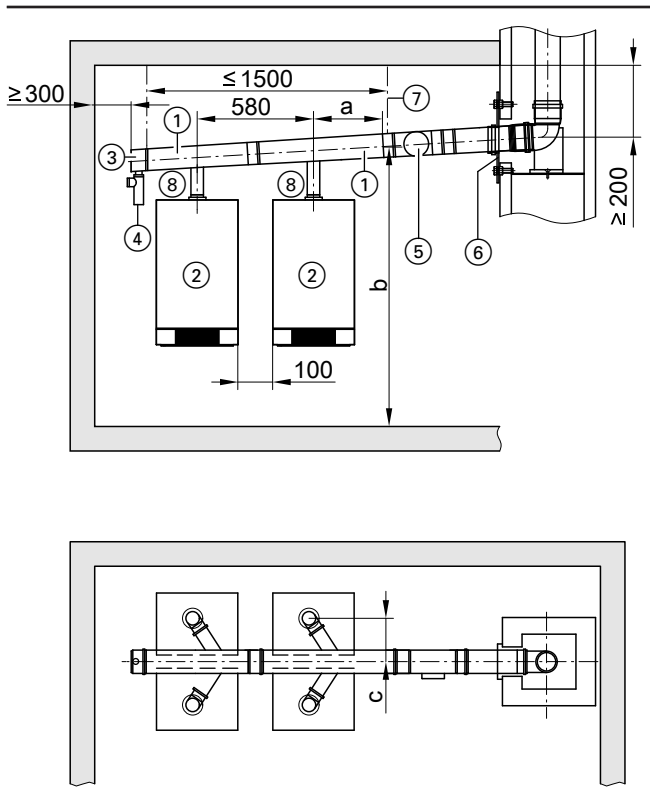
Header Ø mm	a		b			
	mm	mm	mm	mm	mm	mm
Number of boilers		2	3	4	5	6
160						
– Vitodens 200-W, 49 - 60 kW	215	2019	2049	–	–	–
200						
– Vitodens 200-W, 49 - 60 kW	404	–	–	2082	–	–
– Vitodens 200-W, 80 - 99 kW	404	2022	2052	2082	–	–
250						
– Vitodens 200-W, 49 - 60 kW	404	–	–	–	2114	2144
– Vitodens 200-W, 80 - 99 kW	404	–	–	–	2114	2144

Note

In conjunction with a low loss header, height dimension "b" may be reduced by 150 mm and in conjunction with a cascade module adaptor by 300 mm. For this, the suspension profiles are installed accordingly. For installation directly onto a wall, these dimensions should also be adhered to.

Route the flue gas collector with a fall of at least 3°. The boiler flue connections must be trimmed accordingly.

Vitodens 49 - 99 kW, block formation



Note

In the delivered condition, the back draught safety device (2) is installed in the boiler. The 2nd back draught safety device (8) must be added to the order for every boiler.

Header Ø mm	a		b		c mm
	mm	mm	mm	mm	
Number of boilers		2x2	2x3		
200					
– Vitodens 200-W, 49 - 60 kW	502	1997	–	–	340
– Vitodens 200-W, 80 - 99 kW	–	–	–	–	–
250					
– Vitodens 200-W, 49 - 60 kW	–	–	2004	–	–
– Vitodens 200-W, 80 - 99 kW	532	1999	2029	422	–

Note

In conjunction with a low loss header, height dimension "b" may be reduced by 150 mm and in conjunction with a cascade module adaptor by 300 mm.

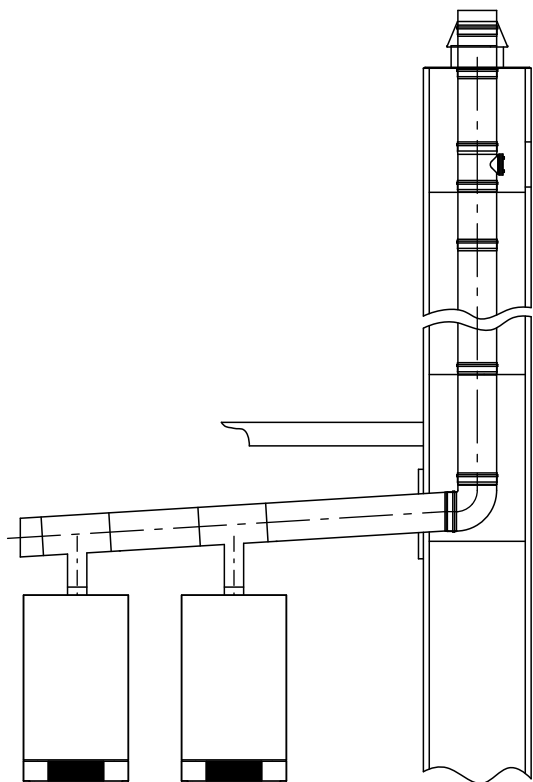
Route the flue gas collector with a fall of at least 3°. The deflector bends must be trimmed accordingly.

- ① Flue gas collector Ø 200 or 250 mm
- ② Back draught safety device (installed)
- ③ Terminal with condensate drain
- ④ Trap with hose
- ⑤ Inspection piece Ø 200 or 250 mm
- ⑥ Ventilation bezel
- ⑦ Brackets with suitable fixing materials
- ⑧ **Back draught safety device** and coding card*7

*7 The 2nd back draught safety device must be installed directly downstream of the boiler flue connection in the continuing flue pipe (vertical).

Design and sizing information for connection on the flue gas side (cont.)

Multi boiler systems with flue systems under negative pressure



Note

For multi boiler systems under negative pressure, a 2nd back draught safety device must not be used.

Size to EN 13384.

For flue gas headers in the negative pressure range, see the Viessmann Vitoset pricelist.

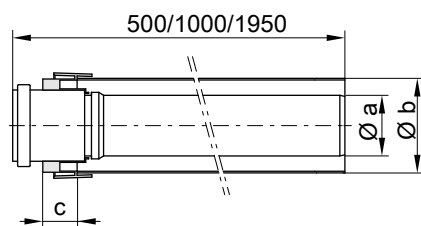
For flue systems for multi boiler systems under positive pressure, see page 42.

Individual parts for flue systems

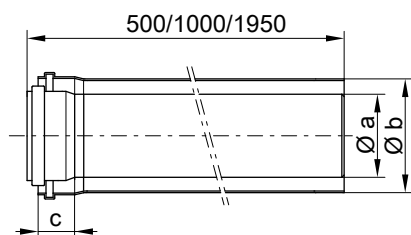
3.1 Balanced flue system components

Balanced flue pipe

These pipes may be trimmed as required.



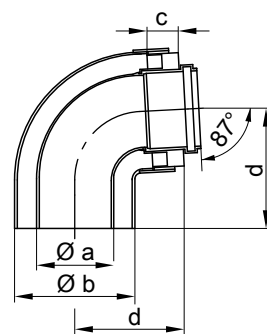
System size Ø 60 and 80 mm



System size Ø 110 mm

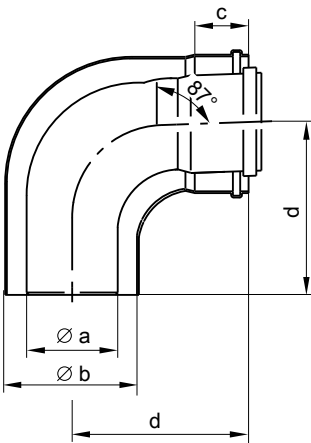
System size Ø mm	Dimensions [mm]		
	a	b	c
60	60	100	40
80	80	125	40
110	110	150	40

Balanced flue bend 87°



System size Ø 60 and 80 mm

Individual parts for flue systems (cont.)

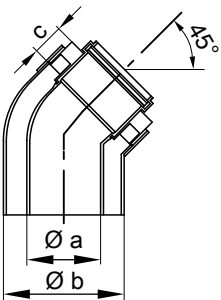


System size Ø 110 mm

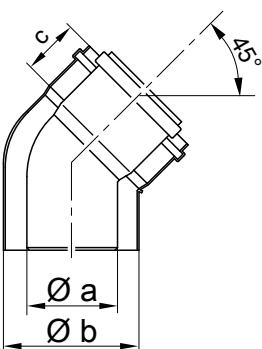
System size Ø mm	Dimensions [mm]			
	a	b	c	d
60	60	100	40	110
80	80	125	40	120
110	110	150	40	170

Balanced flue bend 45°

Standard pack 2 pce



System size Ø 60 and 80 mm

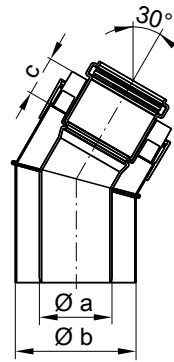


System size Ø 110 mm

System size Ø mm	Dimensions [mm]			
	a	b	c	d
60	60	100	40	40
80	80	125	40	40
110	110	150	40	40

Balanced flue bend (30°)

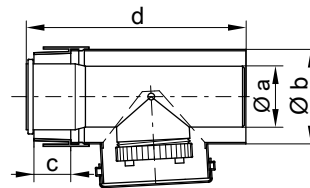
Standard pack 2 pce



System size Ø 60 and 80 mm

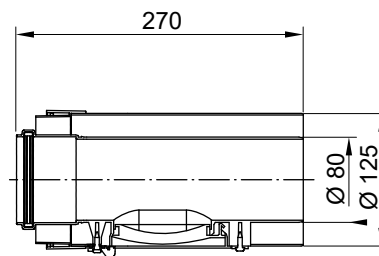
System size Ø mm	Dimensions [mm]		
	a	b	c
60	60	100	40
80	80	125	40
110	110	150	40

Balanced flue inspection piece, straight

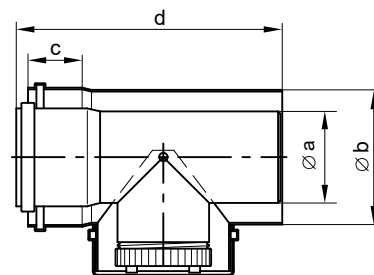


System size Ø 60 mm

System size Ø mm	Dimensions [mm]			
	a	b	c	d
60	60	100	40	250



System size Ø 80 mm



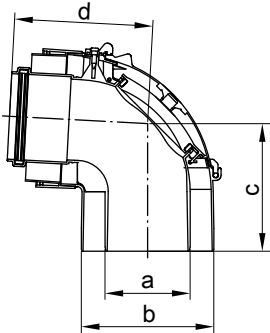
System size Ø 110 mm

5414641

Individual parts for flue systems (cont.)

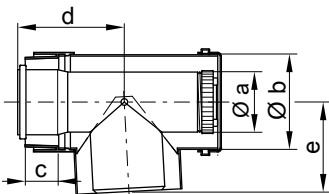
System size Ø mm	Dimensions [mm]			
	a	b	c	d
110	110	150	40	273

Balanced flue inspection bend 87°; system size Ø 60 and 80 mm



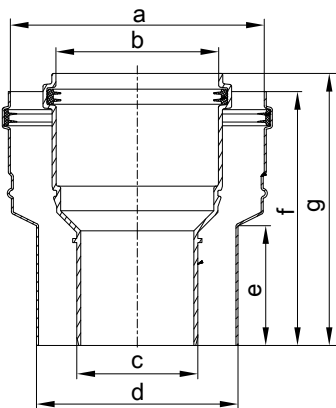
System size Ø mm	Dimensions [mm]			
	a	b	c	d
60	60	100	100	130
80	80	125	120	130

Balanced flue inspection tee 87°, system size Ø 110 mm



System size Ø mm	Dimensions [mm]				
	a	b	c	d	e
110	110	150	40	120	140

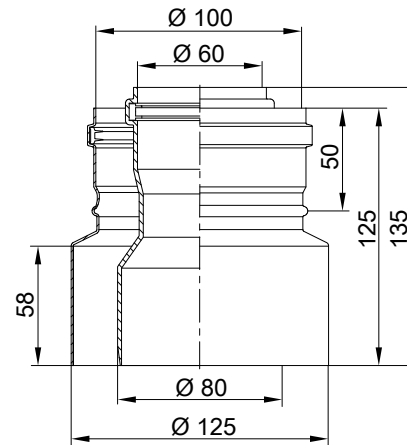
Balanced flue adaptor (extension)



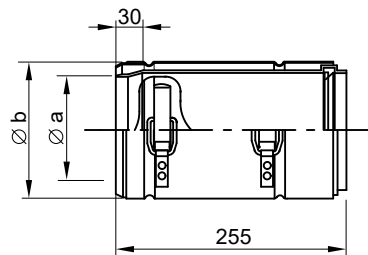
System size Ø mm	Dimensions [mm]						
	a	b	c	d	e	f	g
From 60/100 to 80/125	125	80	60	100	60	126	135
From 80/125 to 110/150	150	110	80	125	60	155	165

Balanced flue adaptor (reducer)

From system size Ø 80/125 mm to Ø 60/100 mm.

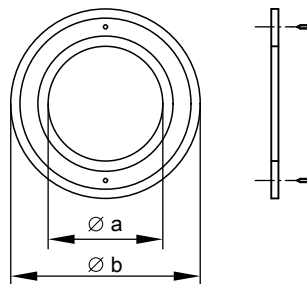


Balanced flue slide coupling



System size Ø mm	Dimensions [mm]	
	a	b
60	60	100
80	80	125
110	110	150

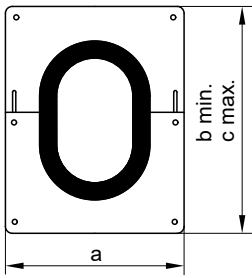
Balanced flue wall bezel



System size Ø mm	Dimensions [mm]	
	a	b
60	102	194
80	130	230
110	155	230

Individual parts for flue systems (cont.)

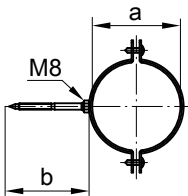
Universal cover plate



System size Ø mm	Dimensions [mm]		
	a	b	c
60	250	246	310
80	250	246	310
110	280	286	350

Fixing clamp

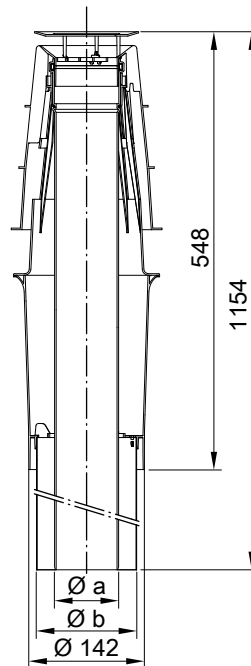
For routing over internal or external walls; white.



System size Ø mm	Dimensions [mm]	
	a	b
60	100	100
80	125	100
110	150	100

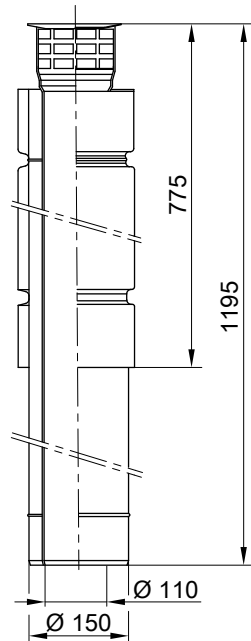
Balanced flue roof outlet

With fixing clamp.



System size Ø 60 and 80 mm

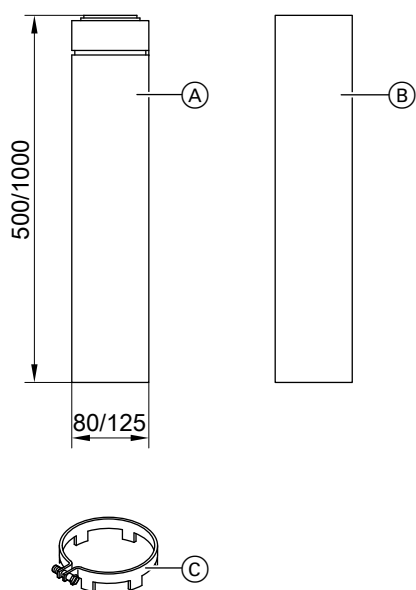
System size Ø mm	Dimensions [mm]	
	a	b
60	60	100
80	80	125



System size Ø 110 mm

Individual parts for flue systems (cont.)

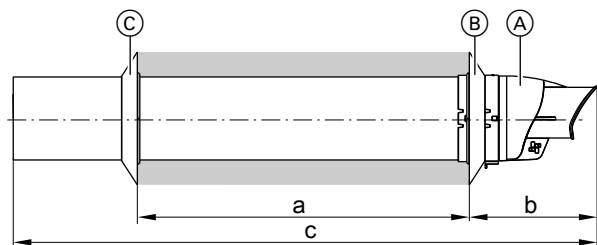
Above roof extension



- (A) Above roof extension
- (B) Casing pipe
- (C) Bracing clamp

Balanced flue external wall connection (incl. wall bezels)

For system size \varnothing 60/100 mm and \varnothing 80/125 mm.



- (A) External wall connection
- (B) External wall bezel
- (C) Internal wall bezel

Balanced flue system (\varnothing mm)	60/100	80/125
a (mm)	≤ 475	≤ 710
b (mm)	155	165
c (mm)	704	952

Elbow in the balanced flue pipe

Small offset A ($2 \times 45^\circ$ balanced flue bend):

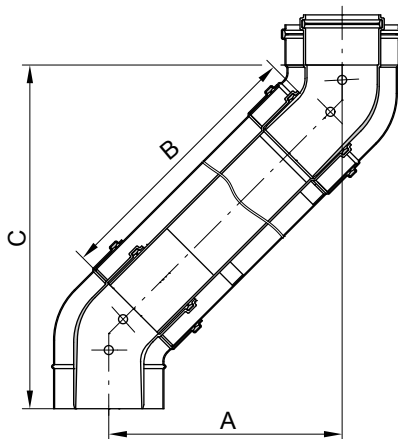
- 74 mm for system size \varnothing 60 mm ($C = 174$ mm)
- 93 mm for system size \varnothing 80 mm ($C = 223$ mm)
- 140 mm for system size \varnothing 110 mm ($C = 328$ mm):

Push two 45° balanced flue bends into each other and into the balanced flue pipe.

Offset:

- In excess of 74 mm for system size \varnothing 60 mm
- In excess of 93 mm for system size \varnothing 80 mm
- In excess of 140 mm for system size \varnothing 110 mm:

Depending on the offset (dimension A), insert a balanced flue extension (dimension B) between the two 45° balanced flue bends.



System size \varnothing 60 mm

Offset	A (mm)	150	200	250	300	350	390
Extension	B (mm)	153	224	295	372	436	487
Installed	C (mm)	250	300	350	400	450	490

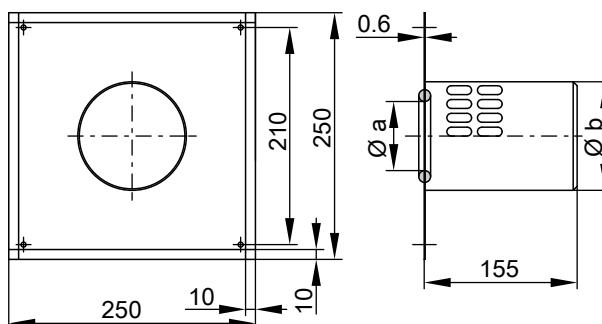
System size \varnothing 80 mm

Offset	A (mm)	150	200	250	300	350	390
Extension	B (mm)	123	194	265	335	406	463
Installed	C (mm)	280	330	380	430	480	520

System size \varnothing 110 mm

Offset	A (mm)	200	250	300	350	390
Extension	B (mm)	134	205	275	346	403
Installed	C (mm)	390	438	488	538	578

Balanced flue air inlet adaptor

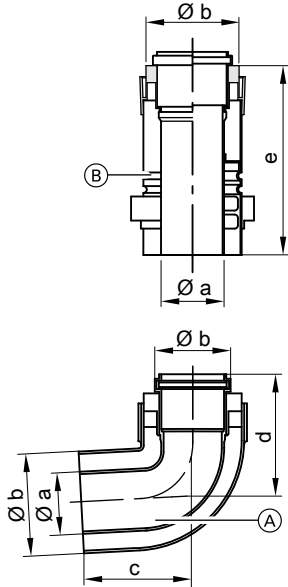


System size \varnothing mm	Dimensions [mm]	
	a	b
60	60	100
80	80	125

3.2 Components for routing a flue over an external wall

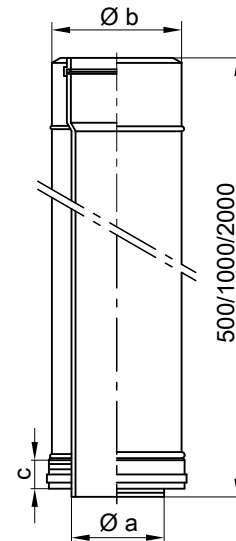
External wall pack

External wall bend (A) with air inlet piece (B), twin female connection (C) and wall bezel (D).



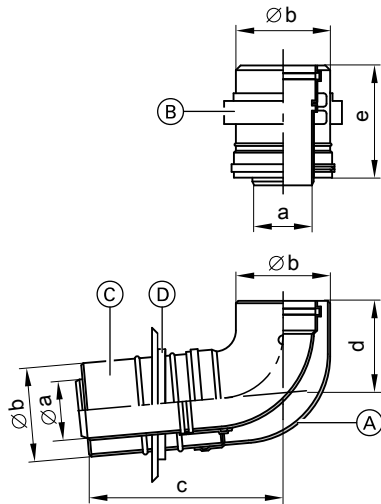
System size Ø mm	Dimensions [mm]				
	a	b	c	d	e
60	60	100	110	110	250
80	80	125	120	120	250

External wall pipe



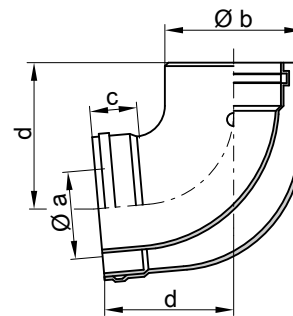
System size Ø mm	Dimensions [mm]		
	a	b	c
60 ^{*8}	—	—	—
80 ^{*8}	—	—	—
110	110	150	40

External wall bend, 87°



System size Ø 110 mm

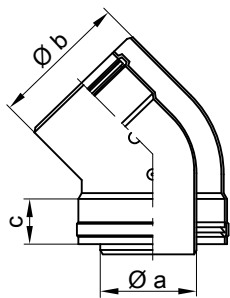
System size Ø mm	Dimensions [mm]				
	a	b	c	d	e
110	110	150	295	170	165



System size Ø mm	Dimensions [mm]			
	a	b	c	d
60 ^{*8}	—	—	—	—
80 ^{*8}	—	—	—	—
110	110	150	40	170

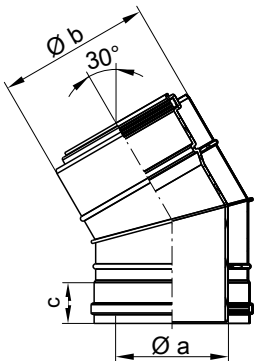
Individual parts for flue systems (cont.)

External wall bend, 45°



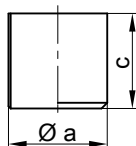
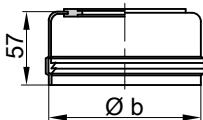
System size Ø mm	Dimensions [mm]		
	a	b	c
60 ^{*8}	—	—	—
80 ^{*8}	—	—	—
110	110	150	40

External wall bend, 30°



System size Ø mm	Dimensions [mm]		
	a	b	c
60 ^{*8}	—	—	—
80 ^{*8}	—	—	—
110	110	150	40

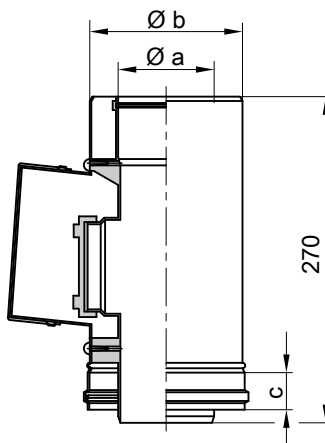
External wall terminal



System size Ø mm	Dimensions [mm]		
	a	b	c
60	60	100	110
80	80	125	110
110	110	152	85

^{*8} Use balanced flue components (see page 48).

External wall inspection piece

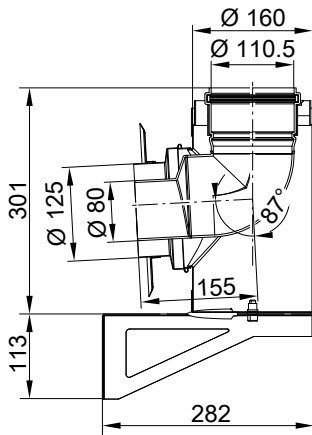


System size Ø mm	Dimensions [mm]		
	a	b	c
60 ^{*8}	—	—	—
80 ^{*8}	—	—	—
110	110	150	40

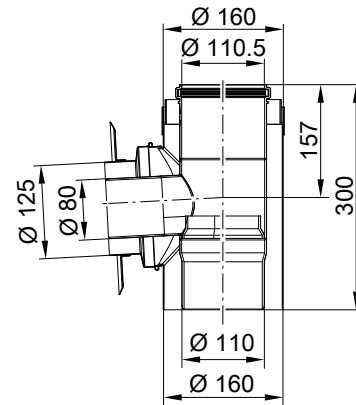
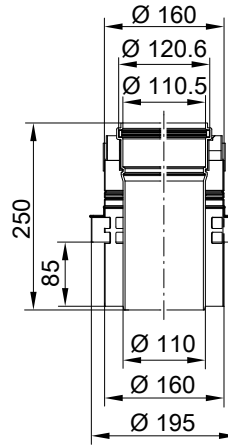
Individual parts for flue systems (cont.)

External wall components for multiple connections

Connecting assembly, external wall multiple connections, base



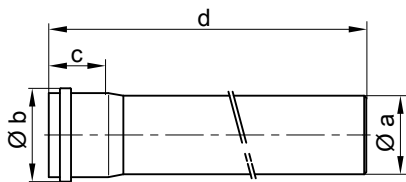
Connecting assembly, external wall multiple connections, upper floor



3.3 Single pipe system components

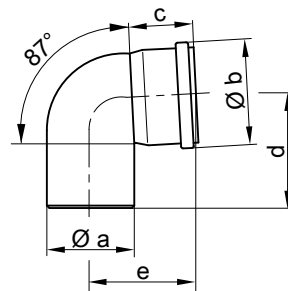
Flue pipe

These pipes may be trimmed as required.



System size Ø mm	Dimensions [mm]			d
	a	b	c	
60	60	73	58	500/1000/1950
80	80	94	57	500/1000/1950
110	110	128	72	500/1000/2000
125	125	145	75	500/1000/2000
160	160	184	83	500/1000/2000
200	184	227	122	500/1000/2000
250	250	273	103	500/1000/2000

Flue bend 87°

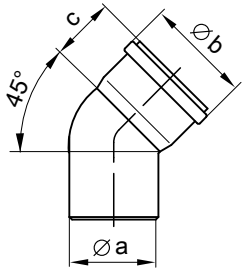


System size Ø mm	Dimensions [mm]				
	a	b	c	d	e
60	60	73	55	110	120
80	80	94	60	120	130
110	110	128	72	130	130
125	125	145	75	150	150
160	160	184	83	170	170
200	200	227	122	350	310
250	250	273	103	402	390

Individual parts for flue systems (cont.)

Flue bend (45°)

Standard pack 2 pce.

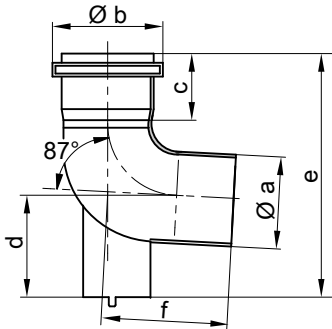


System size Ø mm	Dimensions [mm]		
	a	b	c
60	60	73	55
80	80	94	60
110	110	128	72
125	125	145	75
160	160	184	83
200	200	227	122
250	250	273	103

Standard shaft pack

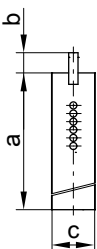
Comprising support bend, support rail, shaft cover and spacers

Support bend

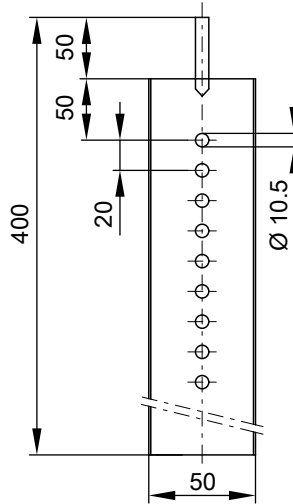
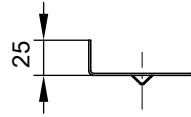


System size Ø mm	Dimensions [mm]					
	a	b	c	d	e	f
60	60	73	55	60	180	110
80	80	94	60	80	210	120
110	110	128	72	112	245	120
125	125	145	75	120	264	147
160	160	184	83	137	296	163
200	200	227	122	153	490	310
250	250	273	103	326	670	385

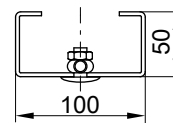
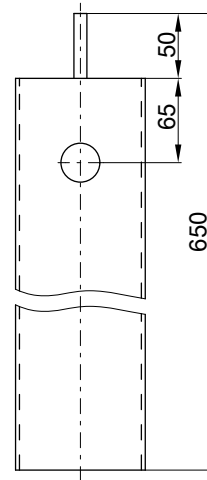
Support rail



System size Ø mm	Dimensions [mm]		
	a	b	c
60	350	50	50
80	350	50	50
110	350	50	50
125	400	50	50
160	400	50	50



System size 200

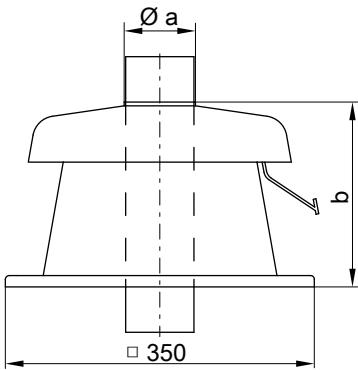


System size 250

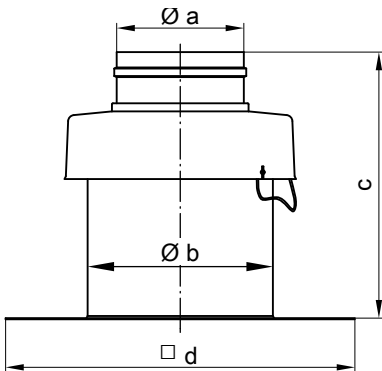
Individual parts for flue systems (cont.)

Shaft cover, PPs

Fixing materials are part of the standard delivery.

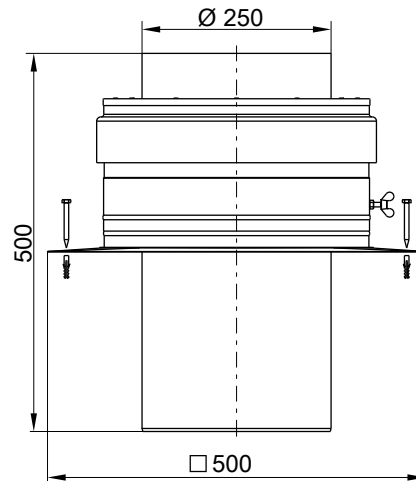


System size Ø mm	Dimensions [mm]	
	a	b
60	60	198
80	80	229
110	111	201



System size 125, 160 and 200

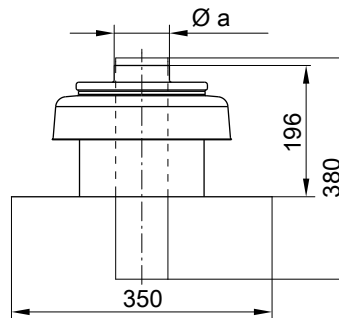
System size Ø mm	Dimensions [mm]			
	a	b	c	d
125	126	185	257	350
160	161	228	258	350
200	202	260	261	280



System size 250

Metal shaft cover

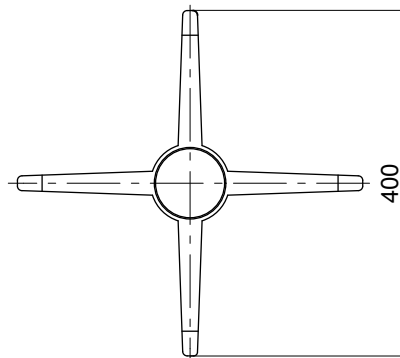
Fixing materials are part of the standard delivery.



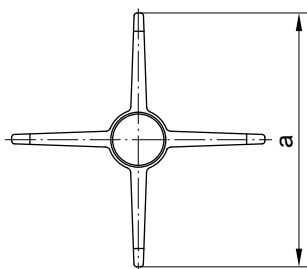
System size Ø mm	Dimensions [mm]	
	a	b
60	60	196
80	80	229
110	111	201

Spacer

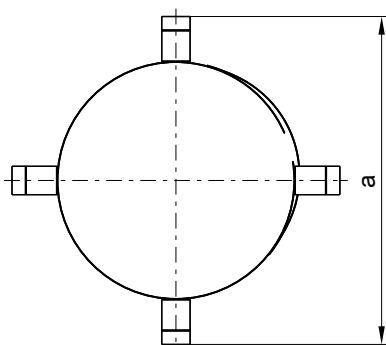
Standard pack 3 pce (suitable for internal shaft dimensions 130 × 130 mm to 250 × 250 mm or Ø 150 mm to Ø 300 mm).



Individual parts for flue systems (cont.)



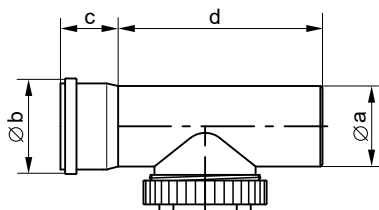
System size 200



System size 250

System size Ø mm	Dimensions [mm]	a
200		734
250		751

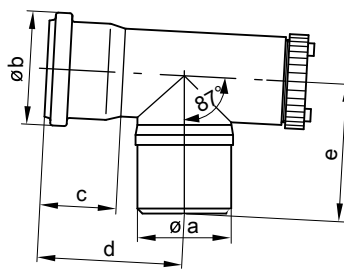
Inspection piece (straight)



System size Ø mm	Dimensions [mm]			
	a	b	c	d
60	60	73	55	195
80	80	94	60	210
110	110	128	72	201
125	125	145	75	180
160	160	184	83	205
200	200	227	122	300
250	250	273	103	600

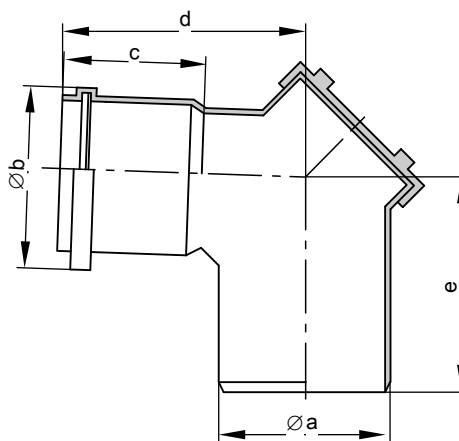
Inspection tee

System size Ø 60 and 80 mm



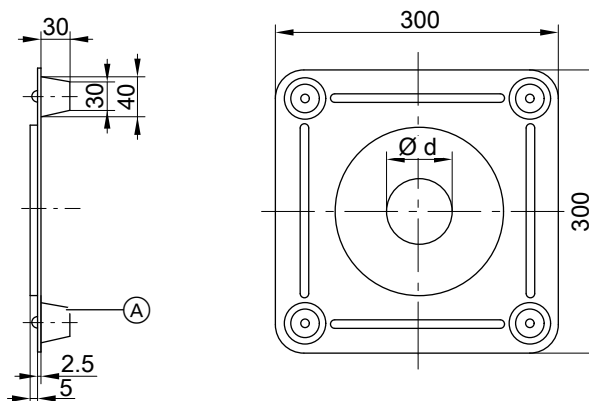
System size Ø mm	Dimensions [mm]				
	a	b	c	d	e
60	60	73	55	130	100
80	80	94	60	142	130

Inspection bend



System size Ø mm	Dimensions [mm]				
	a	b	c	d	e
110	110	128	72	143	142
125	125	145	75	148	148
160	160	184	83	159	163
200	200	227	122	350	310
250	250	273	103	390	410

Ventilation bezel

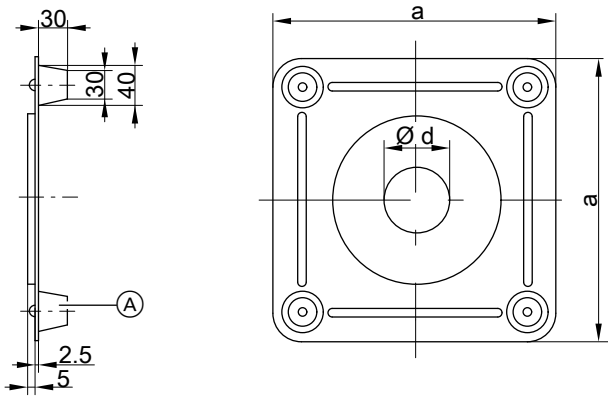


(A) Spacer

Individual parts for flue systems (cont.)

System size Ø mm	Dimensions [mm]	Ø d
60		60
80		80
110		110
125		125
160		160

System size Ø mm	Dimensions [mm]	Ø d
200	a	200
250	a	250

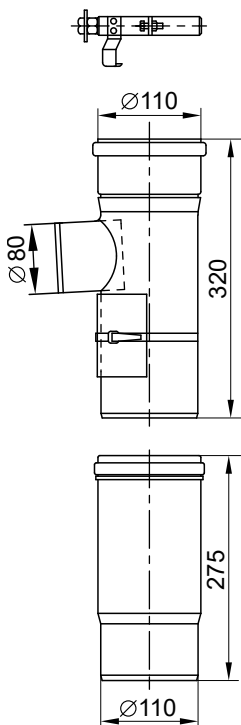


(A) Spacer

3.4 Components for multiple connection of a balanced flue system – positive pressure for Vitodens 100-W, 111-W, 200-W, 222-W, 222-F and 242-F, 11 to 32 kW

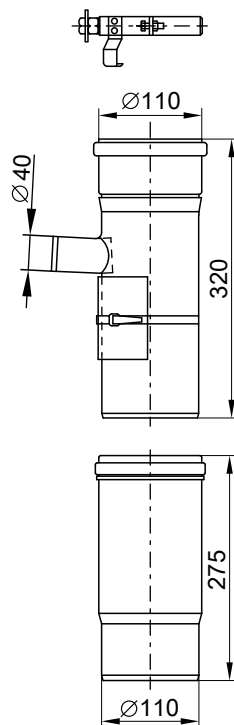
Connecting assembly, multiple connections

Connection tee with long fem. connection and fixing clamp



Connecting assembly, condensate drain

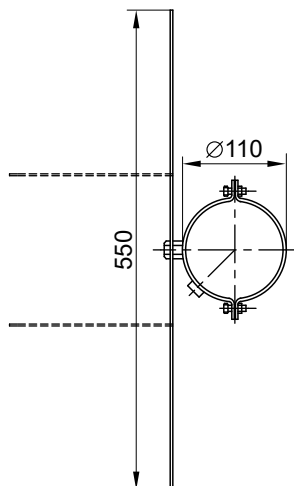
Connection tee with long fem. connection and fixing clamp



Individual parts for flue systems (cont.)

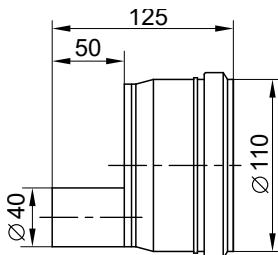
Fixing clamp

For securing the flue pipe horizontally inside the shaft



Condensate drain connection

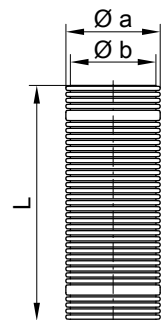
Reduction from Ø 110 mm to Ø 40 mm



3.5 Components of the flexible single pipe system for flexible flues

Flue pipe, flexible

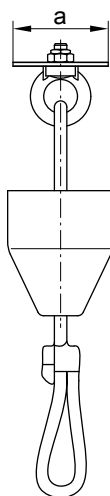
Standard pack (length L) 12.5 or 25 m on a roll



System size Ø mm	Dimensions [mm]	
	a	b
60	58	50
80	88	77
110	113	101

Pipe lowering attachment

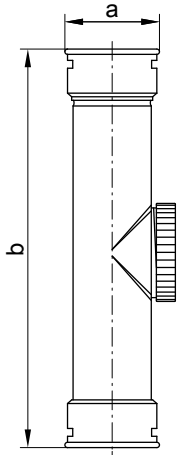
With 25 m rope



System size Ø mm	Dimensions [mm]	
	a	
60	56	
80	88	
110	111	

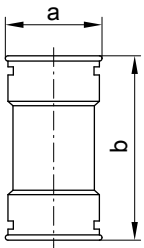
Individual parts for flue systems (cont.)

Inspection piece (straight)



System size Ø mm	Dimensions [mm]	
	a	b
60	72	310
80	102	325
110	127	326

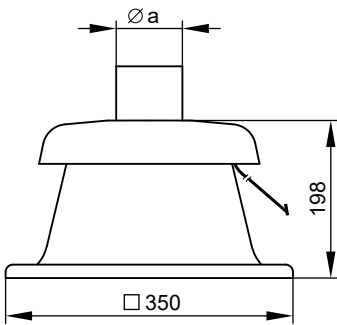
Connection piece



System size Ø mm	Dimensions [mm]	
	a	b
60	72	140
80	102	140
110	127	140

Shaft cover

With terminal

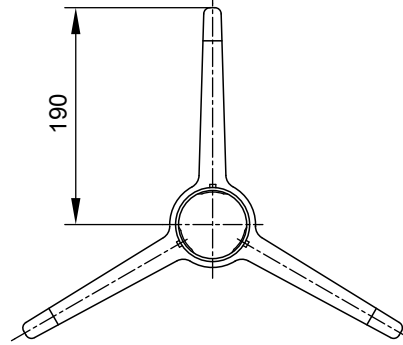


System size Ø mm	Dimensions [mm]
60	a 60
80	80
110	110

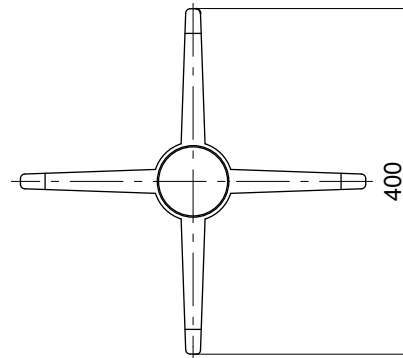
Spacer

Standard pack 5 pce

Applicable to internal shaft dimensions 130 × 130 mm to 250 × 250 mm or Ø 150 mm to Ø 300 mm



System size Ø 60 mm

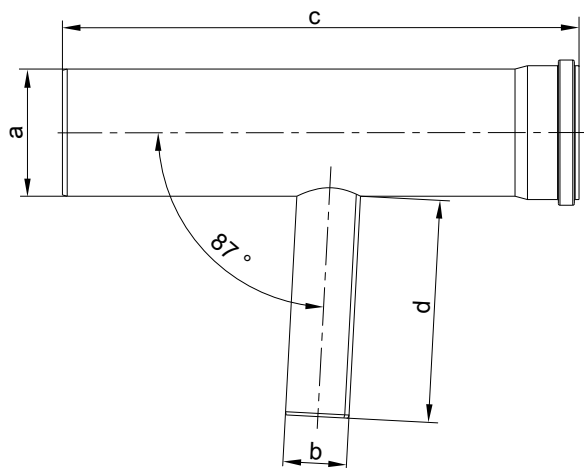


System size Ø 80 and 110 mm

3.6 Components for multi boiler systems

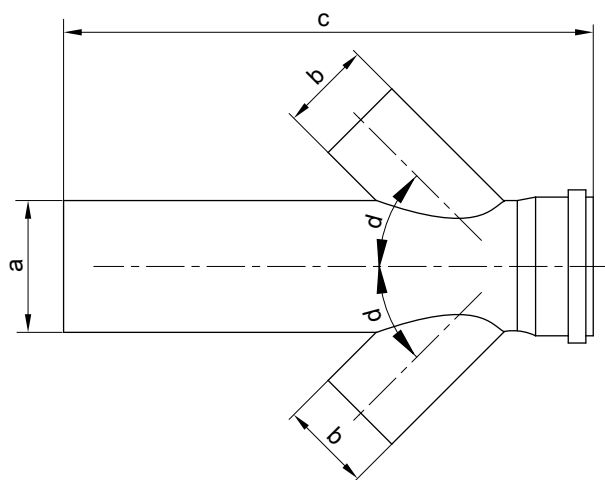
Flue gas collector

Inline formation



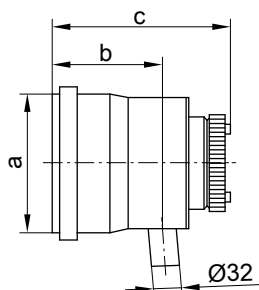
System size Ø mm	Dimensions [mm]			
	a	b	c	d
110	110	60	630	160
160	160	80	650	280
200	200	80	680	280
250	250	110	790	280

Block formation



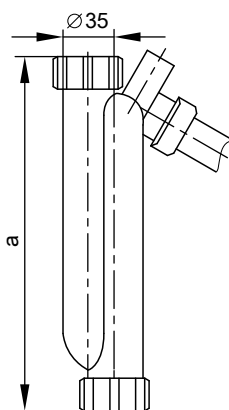
System size Ø mm	Dimensions [mm]			
	a	b	c	d
160	160	80	650	45°
200	200	110	680	45°
250	250	110	675	42°

Terminal with condensate drain



System size Ø mm	Dimensions [mm]		
	a	b	c
160	160	115	195
200	200	115	195
250	250	339	431

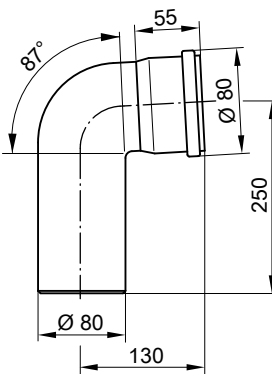
Trap with drain hose



Rated heating output kW	Dimensions [mm]	
	a	
15 – 60	248	
80 – 150	300	

Flue bend (87°)

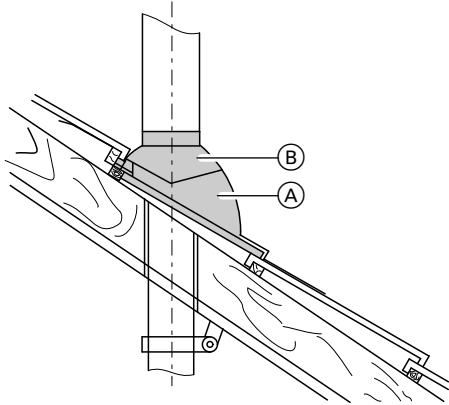
Only for Vitodens 200-W, 222-W, 222-F, 300-W and 333-F up to 35 kW



3.7 Roof elements

Universal roof tile

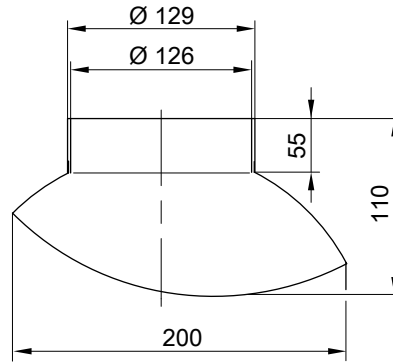
Suitable for roof pitches of 25 to 45°



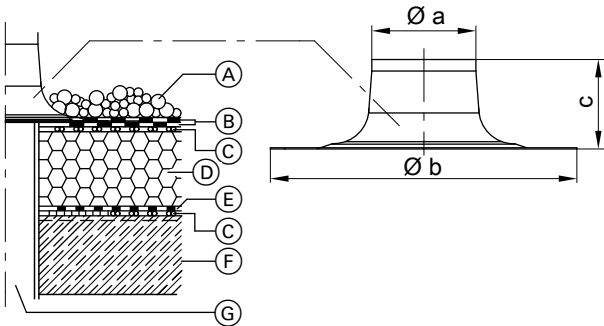
- (A) Universal roof tile
- (B) Pipe outlet for universal roof tile

Pipe outlet for Klöber roof tiles

Suitable for roof pitches of 20 to 50°



Flat roof collar



- (A) Gravel ballast layer
- (B) Insulation layer

- (C) Aeration layer
- (D) Thermal insulation
- (E) Insulation
- (F) Ceiling
- (G) Vertical coaxial roof outlet

System size Ø mm	Dimensions [mm]		
	a	b	c
60	135	390	250
80	135	390	250
110	170	470	250
160	170	450	254
200	220	500	254

Keyword index

A	
Approval by the building inspectorate [Germany].....	7
Approval certificate.....	7
B	
Balanced flue chimney.....	31
Balanced flue system.....	15
C	
Cascade flue system.....	42
E	
External wall connection.....	23
F	
Flue gas header.....	13
Flue gas high limit safety cut-out.....	6
Flue systems	
– For open flue operation.....	5
– For room sealed operation.....	4
Flue systems for multiple connections.....	31
I	
Installation options.....	9
L	
Lightning protection.....	6
M	
Moisture-resistant chimney.....	41
O	
Open flue operation.....	5, 29, 40
R	
Roof outlet, vertical.....	21
Room sealed operation.....	4, 15
S	
Shaft dimensions.....	15, 37
System certification.....	4
T	
Types	
– Open flue.....	12
– Room sealed.....	9
V	
Vertical roof outlet.....	21

Subject to technical modifications.

Viessmann Climate Solutions SE
35108 Allendorf / Germany
Telephone: +49 6452 70-0
Fax: +49 6452 70-2780
www.viessmann.com

Viessmann Limited
Hortonwood 30, Telford
Shropshire, TF1 7YP, GB
Telephone: +44 1952 675000
Fax: +44 1952 675040
E-mail: info-uk@viessmann.com