

## Switch mounting thermostat with touchpad

# VITOPLANAR

## Switch mounting thermostat



## Safety instructions

Please follow these safety instructions closely to prevent hazards, injury and material losses.

### Safety instructions explained

.. **Danger**

This symbol warns against the risk of injury.

! **Caution**

This symbol warns against the risk of material losses and environmental pollution.

#### **Note**

*Text with the word Note contains additional information.*

### Target group

These operating instructions are intended for users of the appliance.

This appliance can also be operated by children 8 years and older, as well as by individuals with reduced physical, sensory or mental faculties or those lacking in experience and knowledge, provided such individuals are supervised or have been instructed in the safe use of this appliance and any risks arising from it.

- ! **Caution**  
Supervise children in the proximity of the appliance.  
Never permit children to play with the appliance.  
Cleaning and user maintenance must never be carried out by unsupervised children.
  
- .. **Danger**  
Incorrectly executed work on the appliance can lead to life threatening accidents. Work on electrical equipment may only be carried out by a qualified electrician.

## **Auxiliary components, spare and wearing parts**

- ! **Caution**  
Components that were not tested with the appliance may cause appliance damage, or may affect its functions.  
Installation or replacement work must only be carried out by a specialist contractor.

## Information on operation

### .. **Danger**

If the surface of the appliance or the power cable with the ON/OFF switch is damaged, there is a risk of burns or electric shock.

The appliance must not be operated if damaged. Switch off the appliance, disconnect it from the power supply and notify a specialist contractor.

## Product information

The thermostat is an underfloor heating thermostat equipped with a 1.8 inch TFT colour screen and capacitive contact surfaces for easy and clear navigation.

The thermostat features a variety of energy saving programs with individually adjustable times and temperatures. The adaptive function means that the thermostat collects data from the start and uses it to calculate the switch-on time.

A PI controller keeps temperature fluctuations to a minimum, ensuring uniform heating.

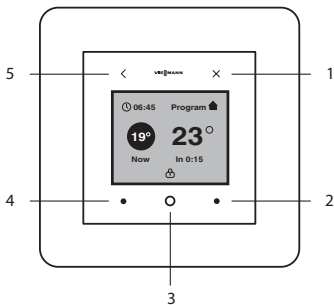
The thermostat also has a ventilation function that turns the heating off for 15 minutes if the temperature drops by more than 3 °C per minute.

### **Note**

*The product data corresponds to the EU regulations of the directive on the environmentally sound design of energy related products (ErP).*

## Operating and display elements

There is a series of contact surfaces on the front of the thermostat. These areas are illuminated and are outside the screen.



- 1 On/Off/To start screen
- 2 Scroll up/right
- 3 Menu/Confirm
- 4 Scroll down/left
- 5 Back one step

## Room heating

Call up the "Program" menu point.

Not selected	If no program has been selected, the thermostat heats constantly.	Default setting: 22 °C Setting range: 5 to 35 °C
Home	Preset times and temperatures. Individually adjustable.	<b>Mo - Fr</b> Wake up 6 a.m., 22 °C At work 8 a.m., 17 °C Back 3 p.m., 22 °C Rest 11 p.m., 17 °C <b>Sa - Su</b> Wake up 7 a.m., 22 °C Rest 11 p.m., 17 °C
Office	Preset times and temperatures. Individually adjustable.	<b>Mo - Fr</b> 8 a.m., 22 °C 5 p.m., 17 °C
Timer	Active	Default setting: 22 °C Setting range: 5 to 35 °C
	Standby (can be deactivated)	Default setting: 17 °C Setting range: Off, 5 to 35 °C
	Runtime	Default setting: 4 h Setting range: 0 to 99 h

Remote control	Active (remote control must be on; see installation instructions)	Default setting: 22 °C Setting range: 20 to 35 °C
	Standby (can be deactivated)	Default setting: 17 °C Setting range: Off, 5 to 35 °C
	Reheating	Default setting: 0 h Setting range: 0 to 12 h
Reset	Reset program	



## Further settings

Call up the "Settings" menu point.

Time and date	Set the time and date.	
Language	Select the required language.	Swedish English Norwegian Finnish German
Screensaver	Three different screensaver versions.	Default setting: Time and temperature Setting range: Time and date, none (off)
Key lock	On/Off	Default setting: Off
Summertime	On/Off	Default setting: On (switches to summertime automatically)

## Information

Call up the "Energy consumption" menu point.

Week time & kWh	Displays the kWh and hours for a week.
Month time & kWh	Displays the kWh and hours for a month.
Year time and kWh	Displays the kWh and hours for a year.
Operation (14 days)	Bar chart shows the runtime per day

## Information on disposal

### Disposal of packaging

Your contractor will dispose of the packaging from your Viessmann product.

**DE:** Packaging waste is sent to a certified disposal contractor for recycling in line with statutory regulations.

**AT:** Packaging waste is sent to a certified disposal contractor for recycling in line with statutory regulations. Use the ARA statutory disposal system (Altstoff Recycling Austria AG, licence number 5766).

## **Your contacts**

Contact your local contractor if you have any questions about your system or wish to arrange maintenance or repair work. You can find local contractors on the internet at [www.viessmann.de](http://www.viessmann.de).

Viessmann Ges.m.b.H.  
A-4641 Steinhaus bei Wels

Viessmann Werke GmbH & Co. KG  
D-35107 Allendorf