

## Valve Insert

Part Number: 7827932

For use with: Vitodens 222-F Diverter Valve

### Safety and Installation Requirements

Please ensure that these instructions are read and understood before starting any service work. Failure to comply with these instructions may cause product/property damage, severe personal injury and/or loss of life.

#### Working on the equipment

The installation, adjustment, service and maintenance of this product must be performed by a licensed professional heating contractor who is qualified and experienced in the installation, service, and maintenance of hot water boilers.

There are no user serviceable parts on the boiler, burner or control.

Ensure that main power to the equipment being serviced is off.

Ensure that the main fuel supply valve to the boiler is closed.

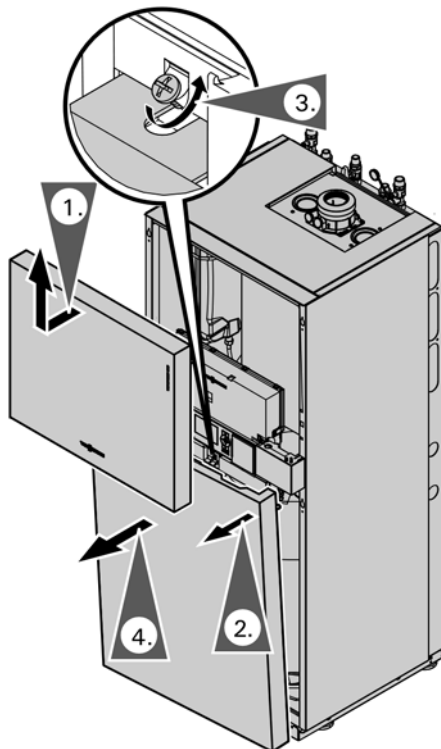
Take precautions to avoid accidental activation of power or fuel during service work.

Do not perform service work on any component part without ensuring safe operation of the heating system. When replacing parts, use original Viessmann or Viessmann approved replacement parts.



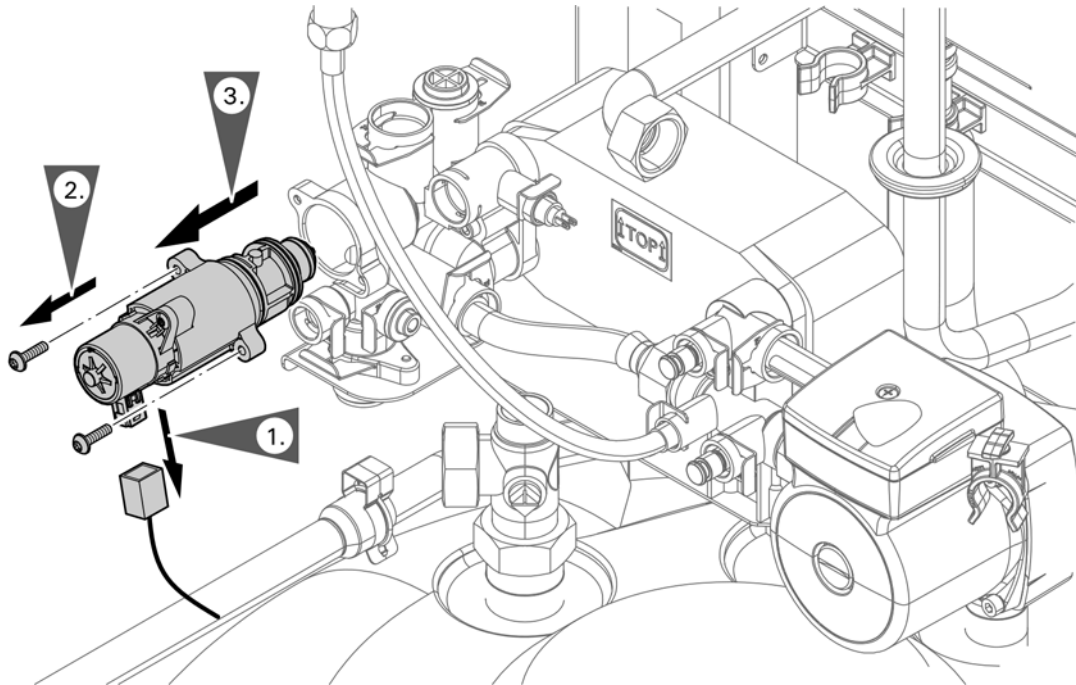
Refer to the Installation and Service Instructions applicable to this boiler.

### Removing the Front Panels



1. Remove the front upper panel.
2. Tilt and remove the lower front panel.
3. Remove the retaining screw and set aside.
4. Remove the lower front panel.

## Replacing the Valve Insert



1. Pull off cable from valve insert.
2. Remove 2 valve insert screws.
3. Pull valve insert straight out.
4. Install new valve insert in reverse order.  
Torque screws to 35 lb.in (4 Nm).



### CAUTION

Residual water may leak out during disassembly.

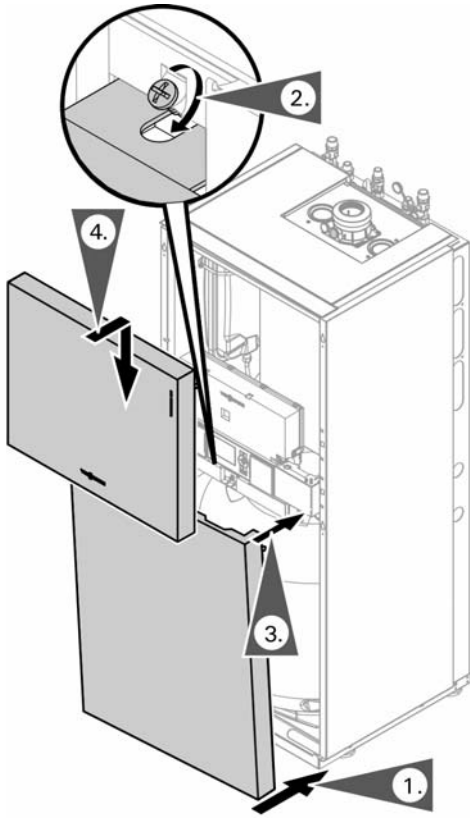
## Re-commissioning

Fill the boiler with water, purge the air and check for leaks.



Refer to the Installation and Service Instructions applicable to this boiler.

## Installing the Front Panels



### Fitting the front panels

1. Set in lower front panel.
2. Insert and tighten the retaining screw.
3. Install lower front panel.
4. Install upper front panel.

Printed on environmentally friendly  
(recycled and recyclable) paper.



Technical information subject to change without notice.

Viessmann Manufacturing Company Inc.  
750 McMurray Road  
Waterloo, Ontario • N2V 2G5 • Canada  
**TechInfo Line 1-888-484-8643**  
1-800-387-7373 • Fax (519) 885-0887  
[www.viessmann.ca](http://www.viessmann.ca) • [info@viessmann.ca](mailto:info@viessmann.ca)

Viessmann Manufacturing Company (U.S.) Inc.  
45 Access Road  
Warwick, Rhode Island • 02886 • USA  
**TechInfo Line 1-888-484-8643**  
1-800-288-0667 • Fax (401) 732-0590  
[www.viessmann-us.com](http://www.viessmann-us.com) • [info@viessmann-us.com](mailto:info@viessmann-us.com)