

Return hose replacement

for the Vitodens 100-W, type WB1B

Safety instructions



Please follow these safety instructions closely to prevent accidents and material losses.

Safety instructions explained



Danger

This symbol warns against the risk of injury.

When using gas as fuel, also close the main gas shut-off valve and safeguard against unauthorised reopening.

Note

Details identified by the word "Note" contain additional information.

Installation, initial start-up, inspection, maintenance and repairs must only be carried out by a competent person (heating engineer/installation contractor).

Before working on the equipment/heating system, isolate the power supply (e.g. by removing a separate mains fuse or by means of a mains isolator) and safeguard against unauthorised reconnection.

Repairing components which fulfil a safety function can compromise the safe operation of your heating system. For replacements, use only original spare parts supplied or approved by Viessmann.

Opening the Vitodens and removing the burner

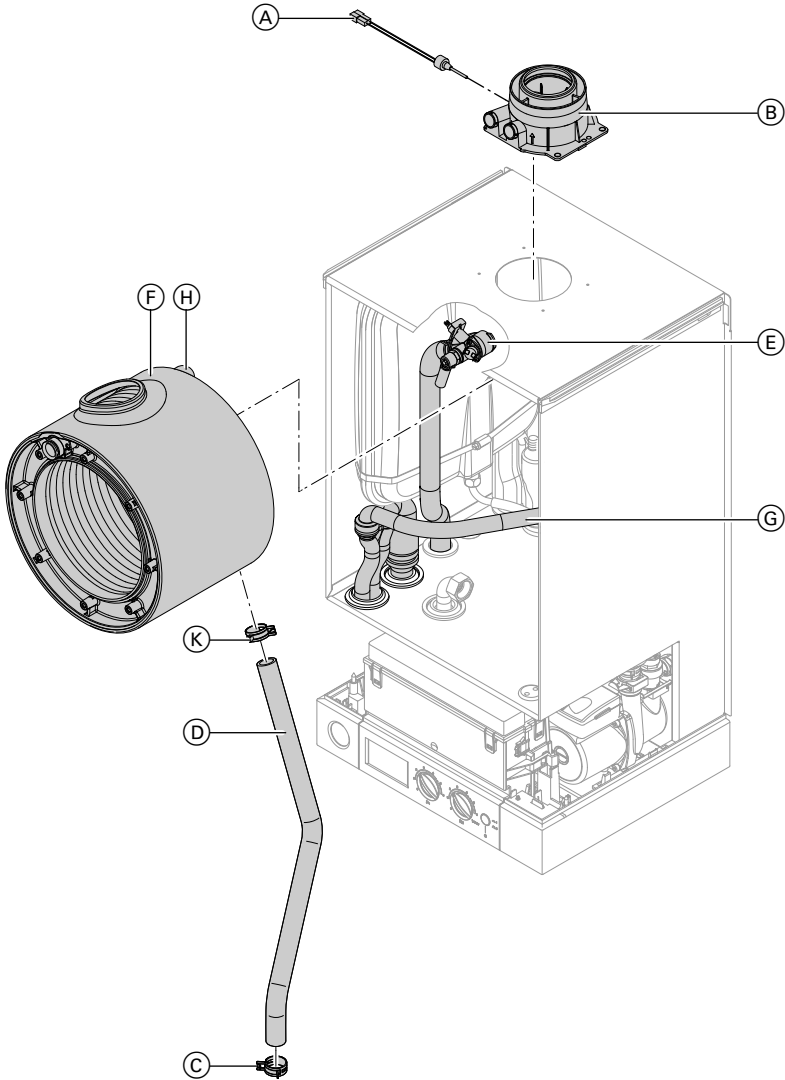


Installation and service instructions

Replacing the return hose

Note

Residual water may escape during dismantling.



Replacing the return hose (cont.)

1. Drain the boiler from the heating water side.



Installation and service instructions

2. Remove the balanced flue.
3. Pull flue gas temperature sensor (A) from boiler flue connection (B).
4. Undo four screws and pull out boiler flue connection (B).
5. Undo hose clip (C) and pull off return hose (D).
6. Undo screw and pull flow elbow (E) from heat exchanger (F).
7. Remove cable ties and condensate connection (G) from heat exchanger (F).
8. Undo three screws and remove heat exchanger (F).

9. Undo hose clip (K) from return elbow (H) and pull off return hose (D).

10. Secure new return hose (D) with hose clip (K) on return elbow (H).

11. Fit heat exchanger (F).

12. Reassemble the boiler in reverse order.

13. Fill the boiler with water, flush (vent) and check for leaks.



Installation and service instructions



Danger

Escaping gas leads to a risk of explosion.

Check gas equipment for tightness.



Viessmann Climate Solutions SE
35108 Allendorf / Germany
Telephone: +49 6452 70-0
Fax: +49 6452 70-2780
www.viessmann.com



Viessmann Limited
Hortonwood 30, Telford
Shropshire, TF1 7YP, GB
Telephone: +44 1952 675000
Fax: +44 1952 675040
E-mail: info-uk@viessmann.com

5352025 Subject to technical modifications.