

## Hydraulic assembly replacement

for the Vitodens 100-W, type WB1B

### Safety instructions



**Please follow these safety instructions closely to prevent accidents and material losses.**

#### Safety instructions explained



**Danger**  
This symbol warns against the risk of injury.



**Please note**  
This symbol warns against the risk of material losses and environmental pollution.

#### Note

*Details identified by the word "Note" contain additional information.*

Installation, initial start-up, inspection, maintenance and repairs must only be carried out by a competent person (heating engineer/installation contractor).

Before working on the equipment/heating system, isolate the power supply (e.g. by removing a separate mains fuse or by means of a mains isolator) and safeguard against unauthorised reconnection.

When using gas as fuel, also close the main gas shut-off valve and safeguard against unauthorised reopening.

Repairing components which fulfil a safety function can compromise the safe operation of your heating system.

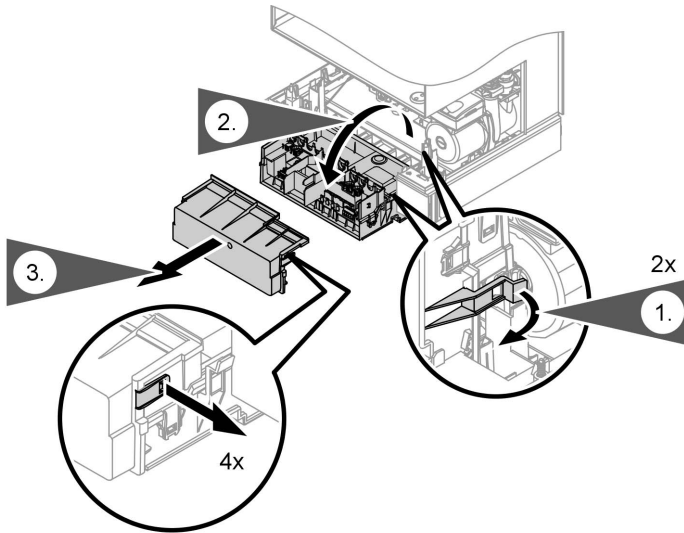
For replacements, use only original spare parts supplied or approved by Viessmann.

### Opening the Vitodens



Installation and service instructions

## Opening the control unit casing



### **Please note**

Electronic modules can be damaged by electrostatic discharges.

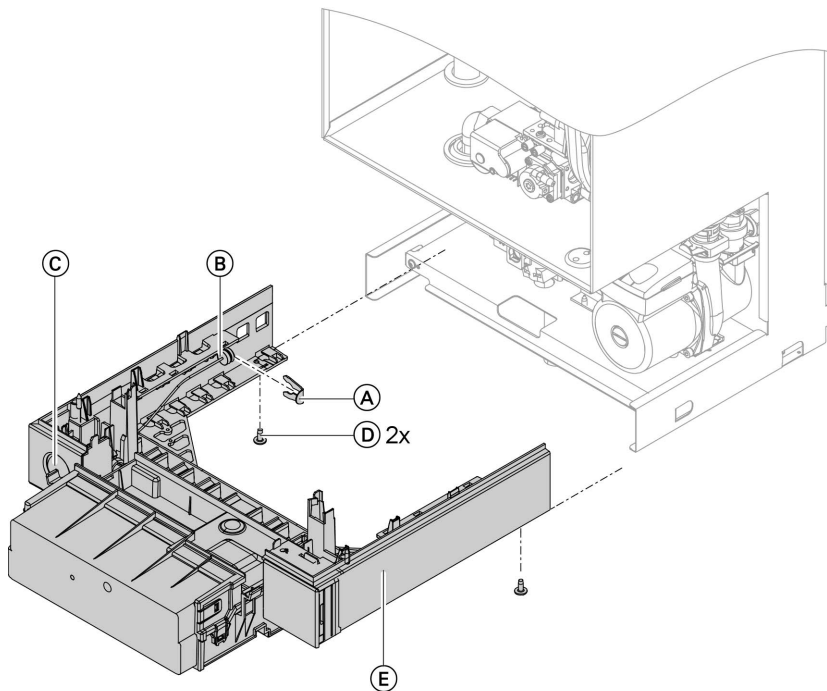
Touch earthed objects, such as heating or water pipes, to discharge static loads.

## Replacing the hydraulic assembly

### **Note**

*Residual water may escape during dismantling.*

## Replacing the hydraulic assembly (cont.)



1. Drain the boiler from the heating water and DHW side.



Installation and service instructions

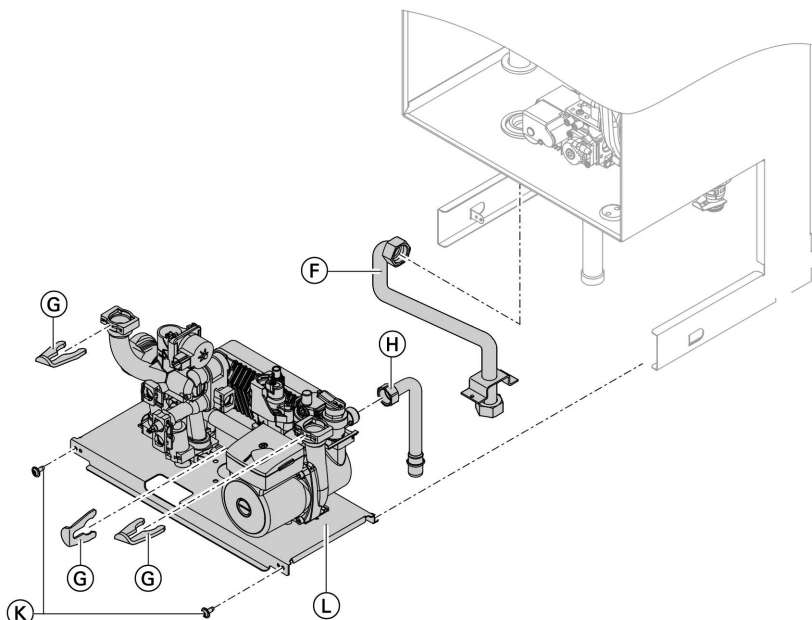
2. Disconnect all electrical plugs from hydraulic components.

3. Remove locking clip (A) and pull capillary pipe (B) out of pressure gauge (C).

4. Remove screws (D).

5. Pull out control unit support (E) with control unit towards the front. ▶▶

## Replacing the hydraulic assembly (cont.)



6. Release fittings and remove gas supply pipe (F).
7. Remove all heating water and DHW connections from the hydraulic assembly.
8. Release locking clip (G) from all internal hydraulic connections and remove hydraulic connections.
9. Release fitting (H) from safety valve.
10. Undo screws (K) and remove hydraulic assembly (L) through the front.
11. Insert new hydraulic assembly (L) with new gaskets and secure with screws. Lubricate gaskets with instrument grease supplied.
12. Reassemble boiler in reverse order.



## Replacing the hydraulic assembly (cont.)

13. Fill boiler with water, flush (vent) and check for leaks.



Installation and service instructions



### **Danger**

Escaping gas leads to a risk of explosion.  
Check gas equipment for tightness.





Viessmann Werke GmbH&Co KG  
D-35107 Allendorf  
Telephone: +49 6452 70-0  
Fax: +49 6452 70-2780  
[www.viessmann.com](http://www.viessmann.com)

Viessmann Limited  
Hortonwood 30, Telford  
Shropshire, TF1 7YP, GB  
Telephone: +44 1952 675000  
Fax: +44 1952 675040  
E-mail: [info-uk@viessmann.com](mailto:info-uk@viessmann.com)

5355 490 GB Subject to technical modifications.



Printed on environmentally friendly,  
chlorine-free bleached paper